



US00D706734S

(12) **United States Design Patent**
Takami et al.

(10) **Patent No.:** **US D706,734 S**
(45) **Date of Patent:** **** Jun. 10, 2014**

(54) **TELEVISION APPARATUS**

(71) Applicant: **Panasonic Corporation**, Osaka (JP)

(72) Inventors: **Mitsuru Takami**, Osaka (JP);
Masakatsu Ito, Osaka (JP)

(73) Assignee: **Panasonic Corporation**, Osaka (JP)

(**) Term: **14 Years**

(21) Appl. No.: **29/450,980**

(22) Filed: **Mar. 27, 2013**

(30) **Foreign Application Priority Data**

Dec. 13, 2012 (JP) 2012-030439

(51) **LOC (10) Cl.** **14-03**

(52) **U.S. Cl.**
USPC **D14/126**

(58) **Field of Classification Search**
USPC D14/125-134, 239, 371, 136, 374-377,
D14/440, 450, 448, 336, 342, 159; 312/7.2;
348/836, 838, 180, 184, 325, 739;
248/917-924, 465; 345/104, 133, 156,
345/168, 87, 173; D21/329, 515, 577, 622,
D21/333, 433, 448, 452, 450, 331, 505;
D10/15, 26; 446/484, 175, 356;
D6/477, 479, 300

See application file for complete search history.

(56) **References Cited**

U.S. PATENT DOCUMENTS

D635,976 S * 4/2011 Lee et al. D14/374
D670,256 S * 11/2012 Kim et al. D14/126
D684,944 S * 6/2013 Seong D14/126
2006/0237599 A1 * 10/2006 Ternus et al. 248/176.1

* cited by examiner

Primary Examiner — Raphael Barkai

(74) *Attorney, Agent, or Firm* — Panasonic Patent Center

(57) **CLAIM**

We claim the ornamental design for a television apparatus, as shown and described.

DESCRIPTION

FIG. 1 is a front perspective view of a television apparatus of the present invention;
FIG. 2 is a rear perspective view thereof;
FIG. 3 is a front view thereof;
FIG. 4 is a rear view thereof;
FIG. 5 is a first side view thereof;
FIG. 6 is a second side view thereof;
FIG. 7 is a top view thereof; and,
FIG. 8 is a bottom view thereof.

1 Claim, 8 Drawing Sheets

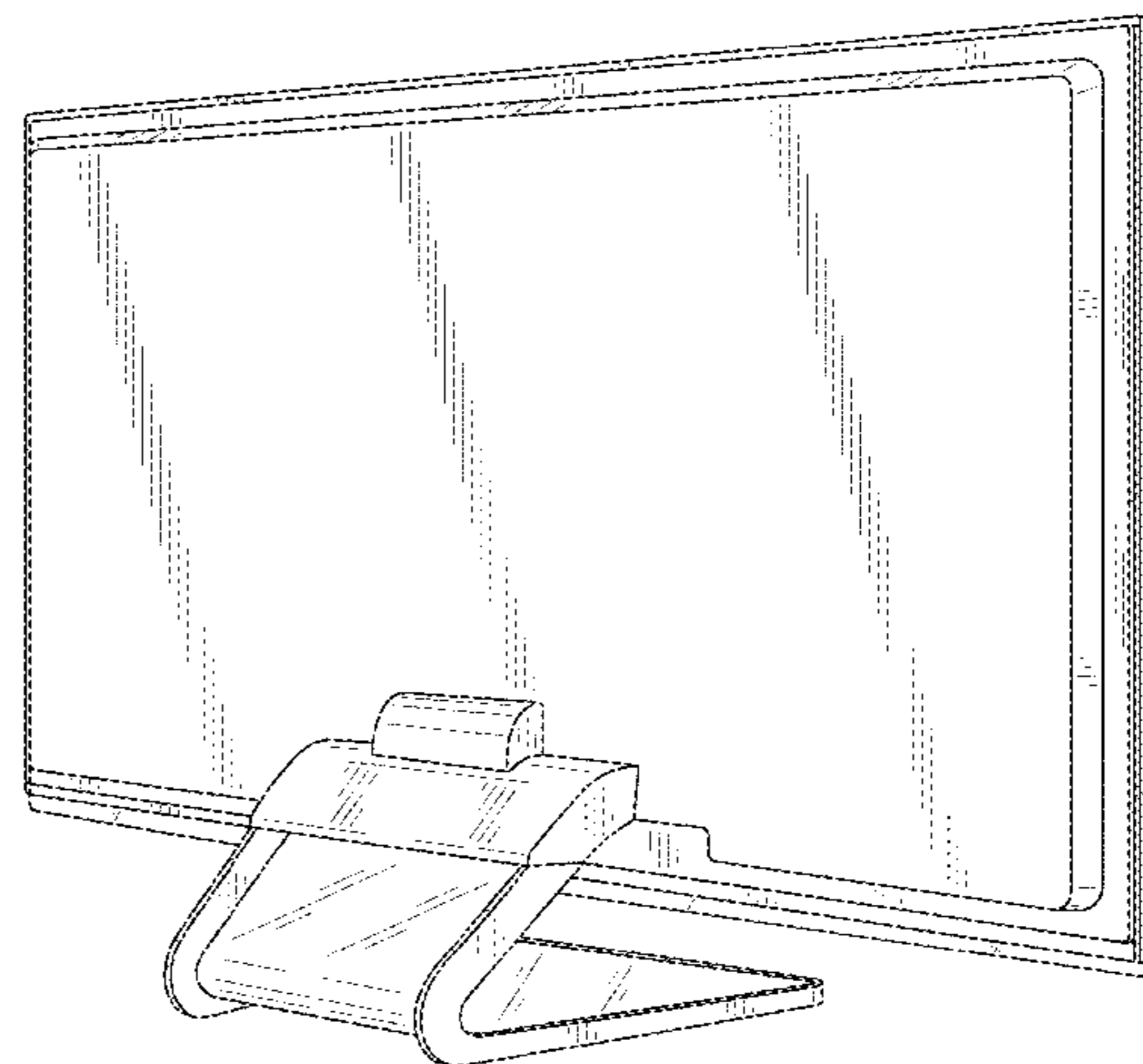
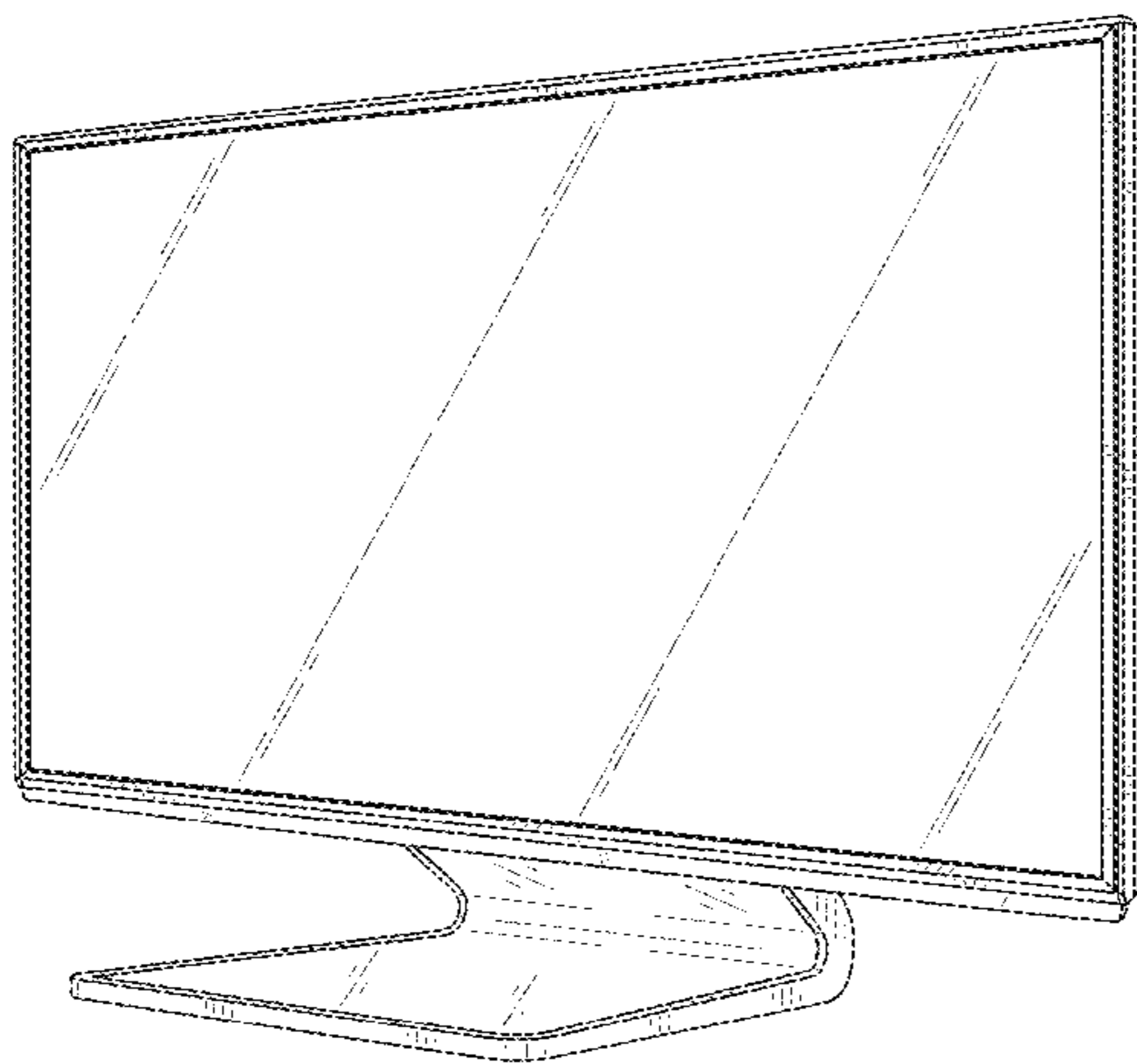


FIG. 1

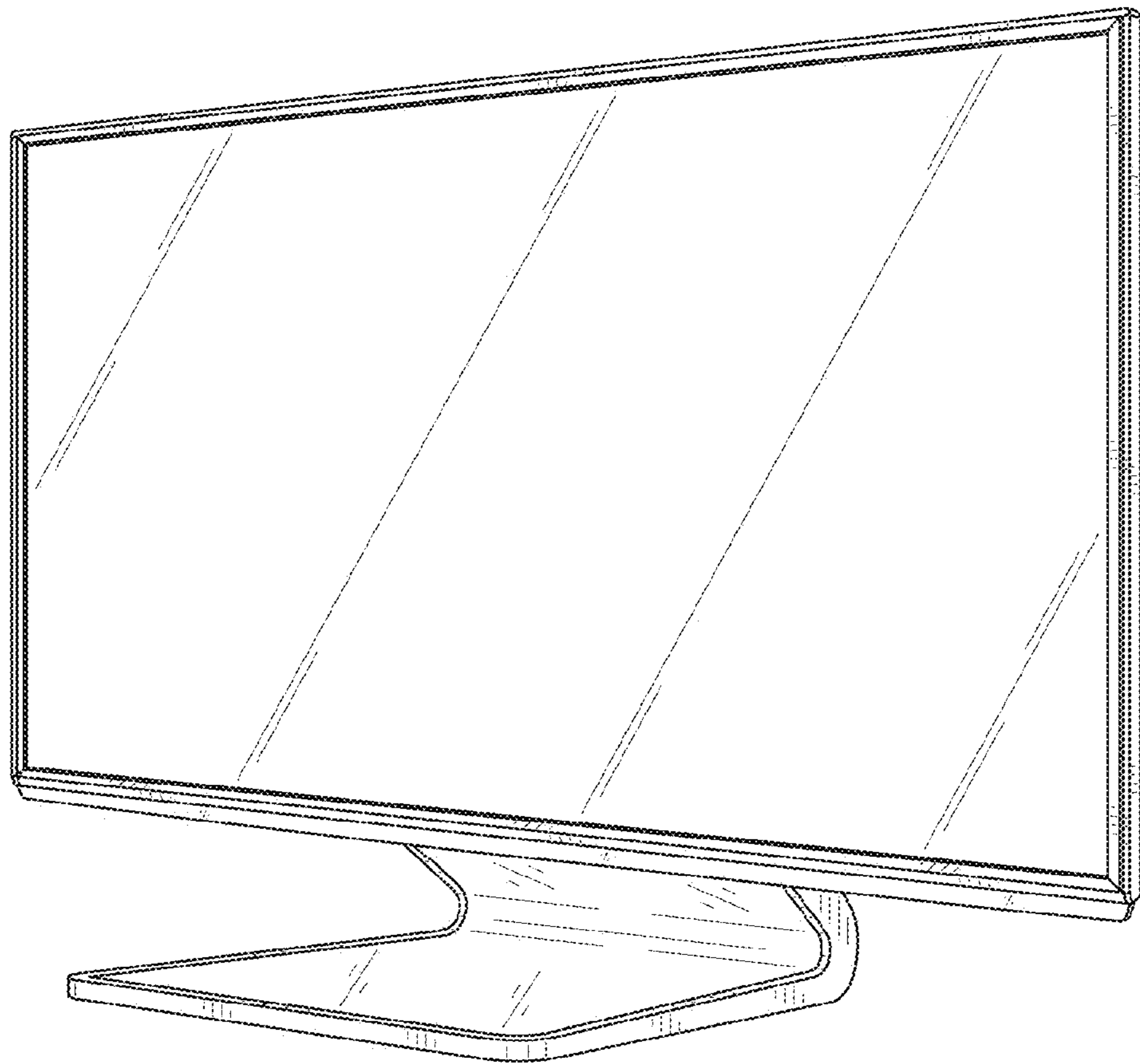


FIG. 2

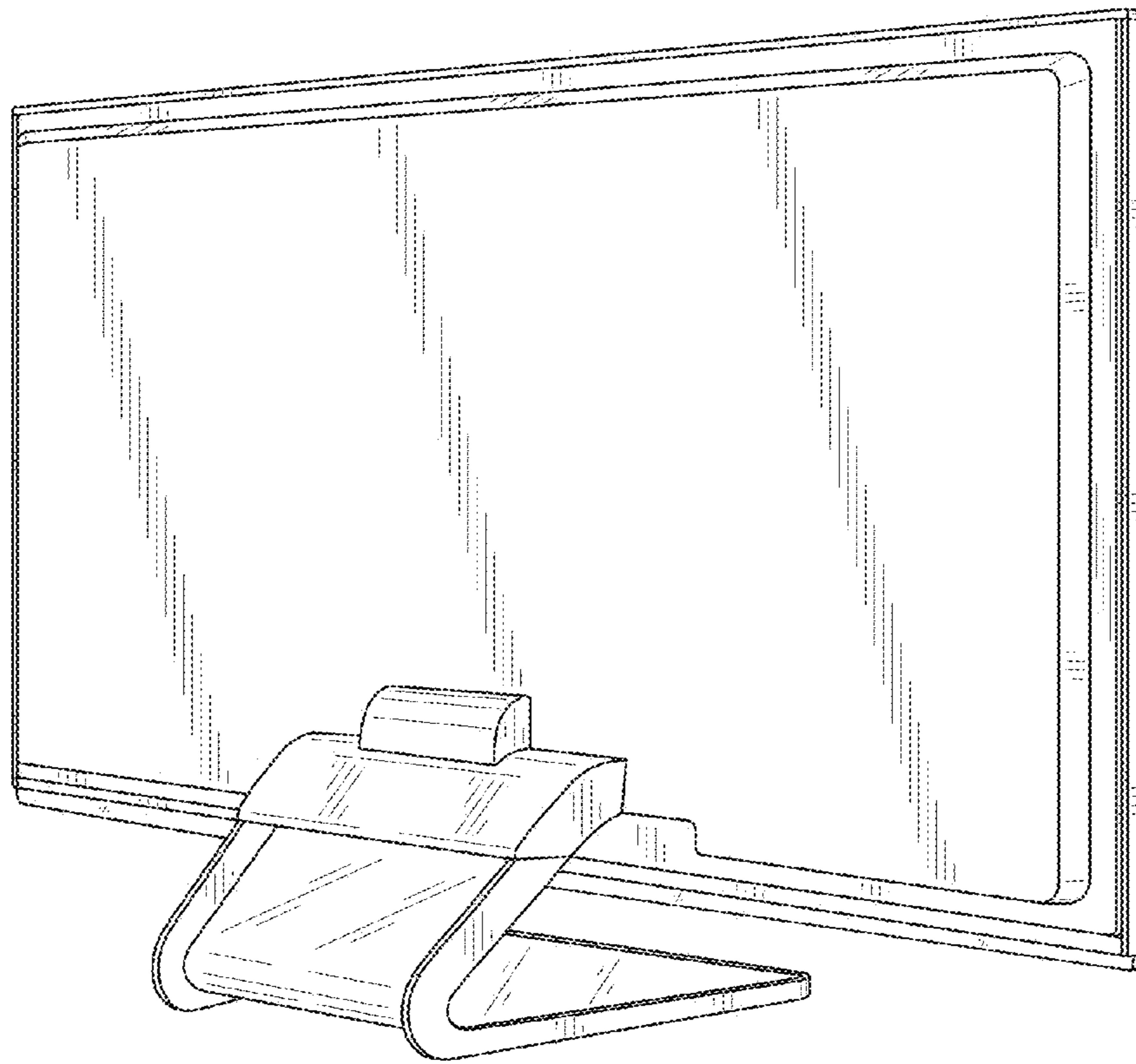


FIG. 3

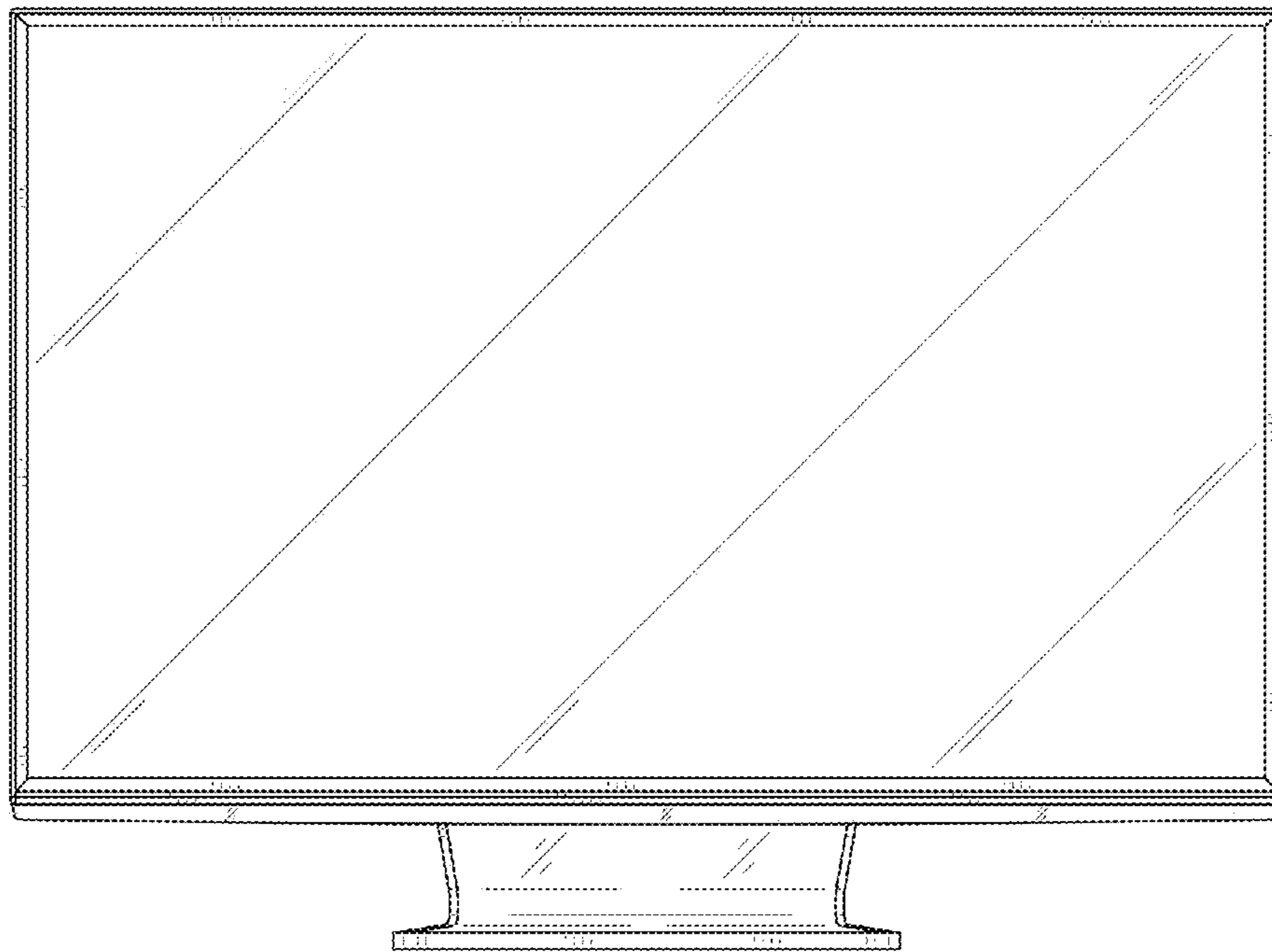


FIG. 4

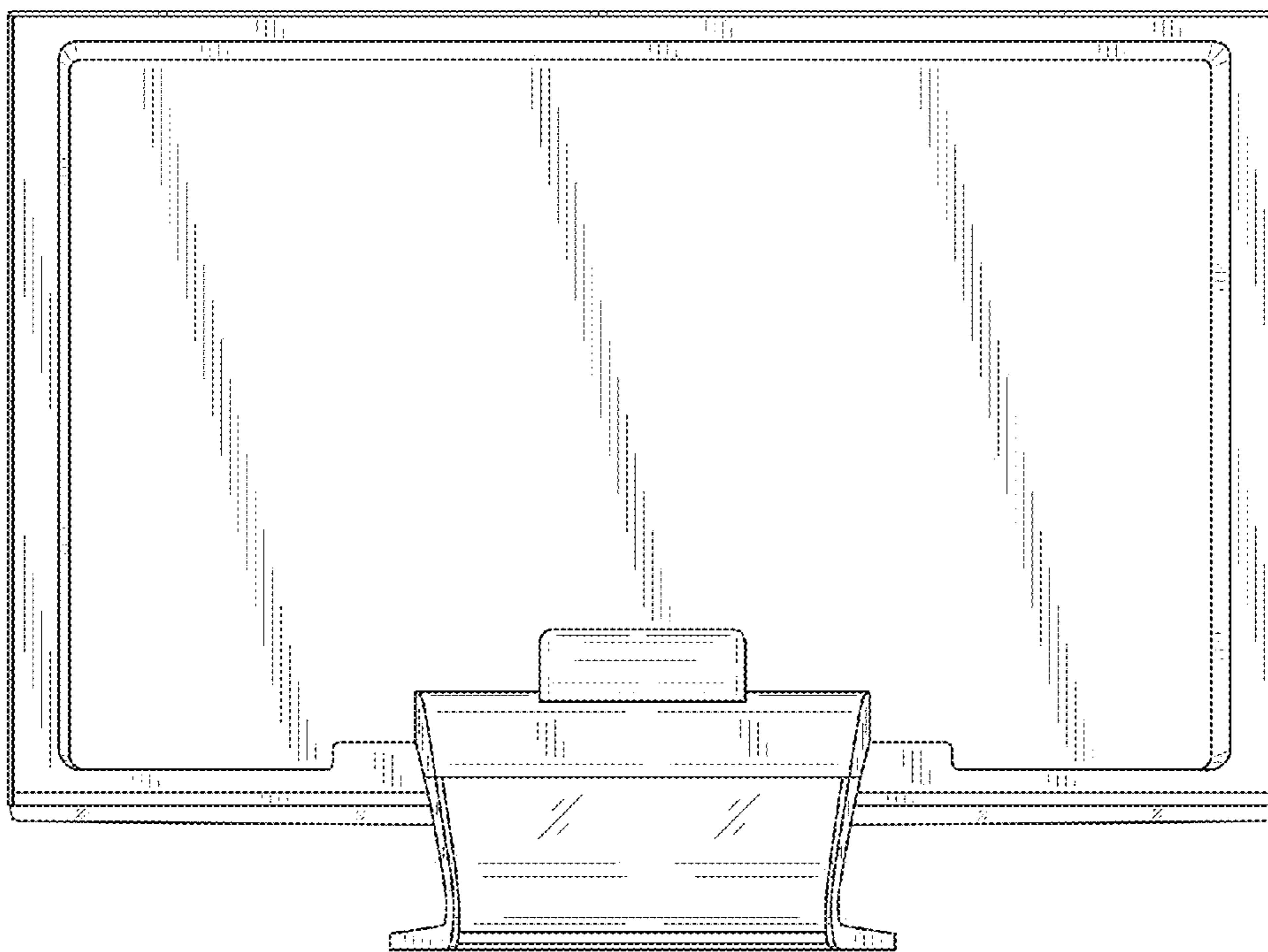


FIG. 5

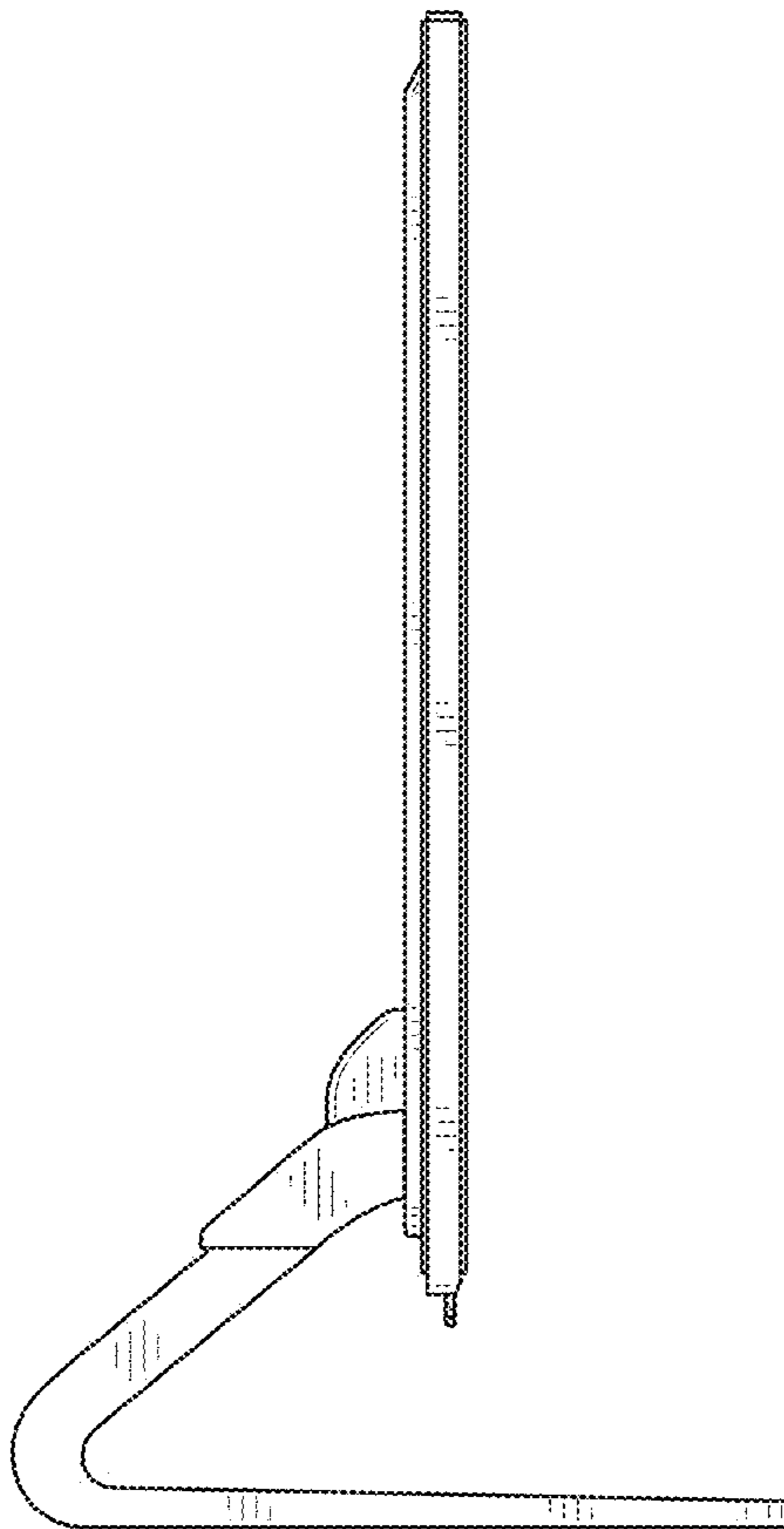


FIG. 6

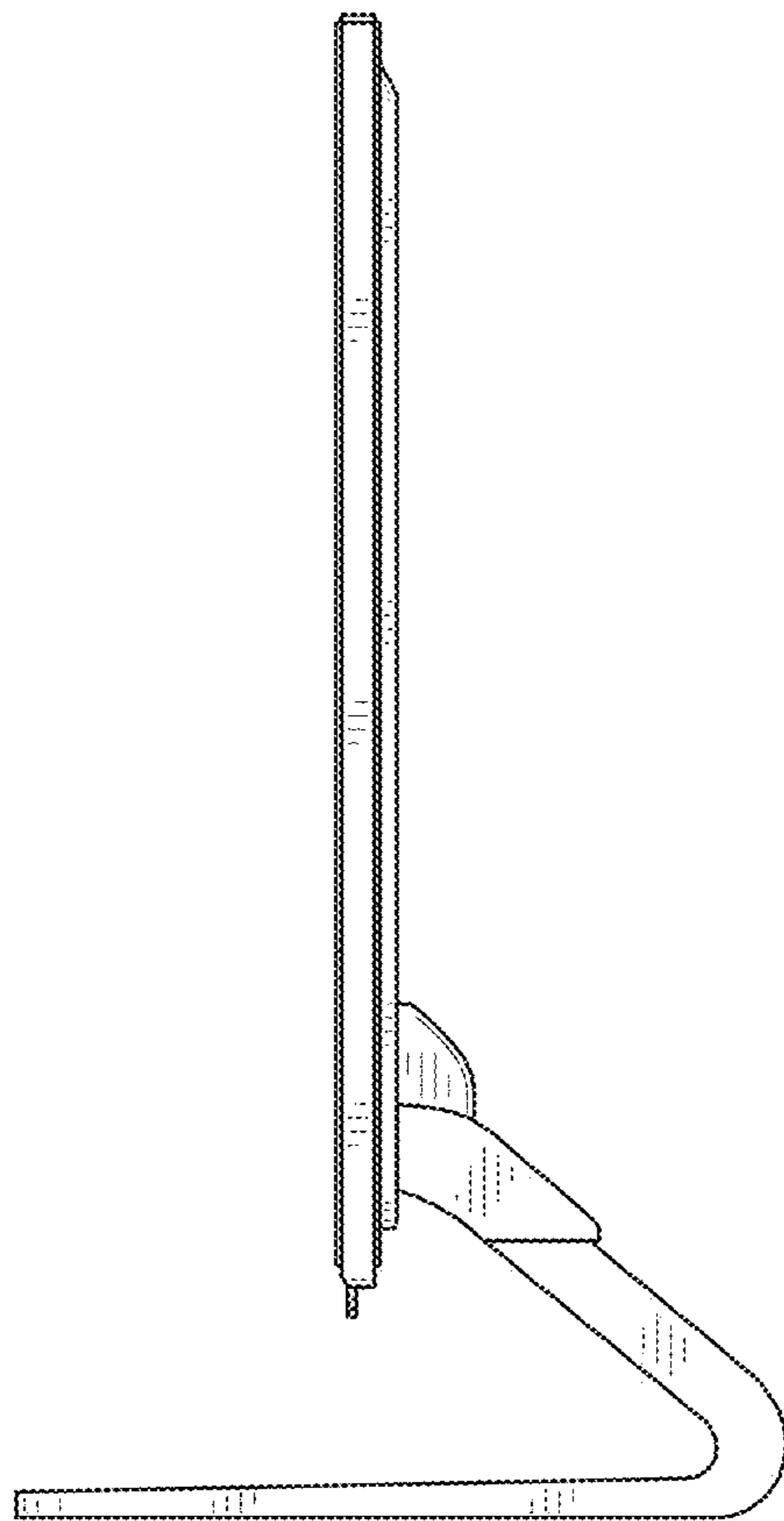


FIG. 7

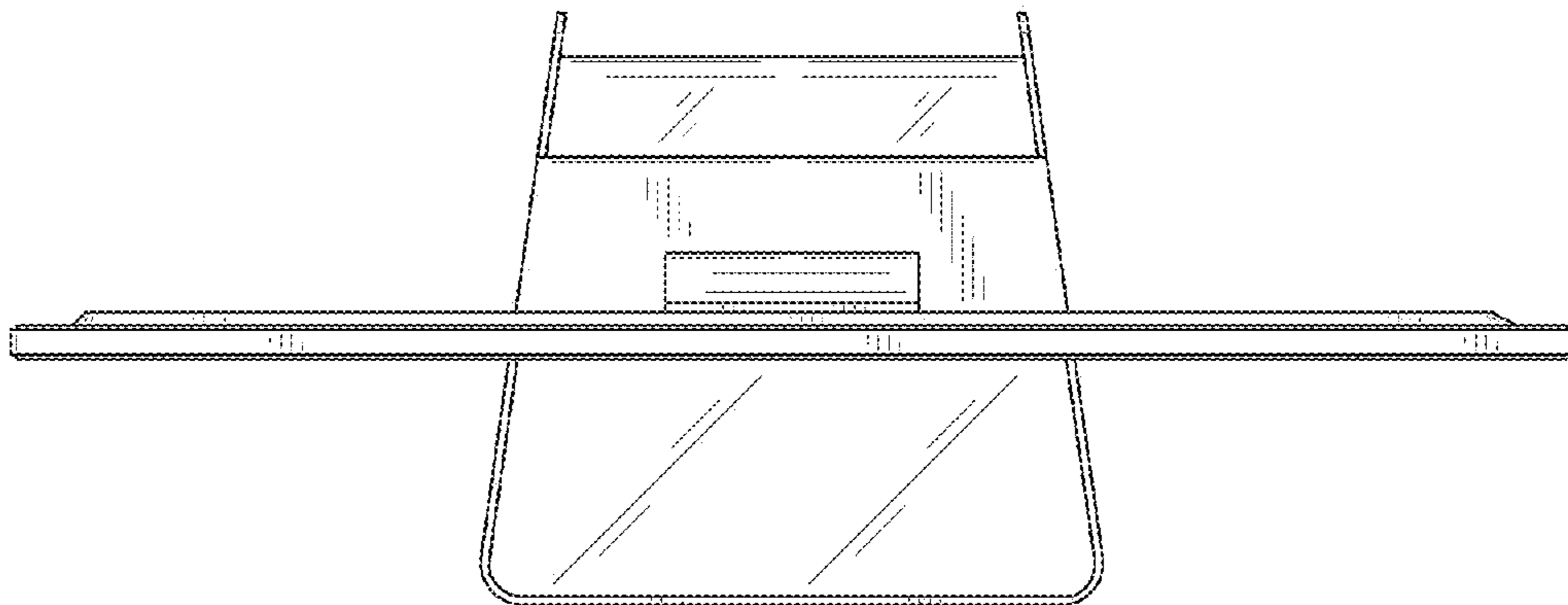


FIG. 8

