



US00D706733S

(12) **United States Design Patent**
Ogura et al.

(10) **Patent No.:** **US D706,733 S**
(45) **Date of Patent:** **** Jun. 10, 2014**

(54) **SIGNAL CONVERSION DEVICE**
(71) Applicant: **Photonics Electronics Technology Research Association (PETRA)**, Tokyo (JP)
(72) Inventors: **Ichiro Ogura**, Tokyo (JP); **Koichi Takemura**, Tokyo (JP)
(73) Assignee: **Photonics Electronics Technology Research Association (PETRA)**, Tokyo (JP)
(**) Term: **14 Years**
(21) Appl. No.: **29/467,178**
(22) Filed: **Sep. 16, 2013**
(51) **LOC (10) Cl.** **13-03**
(52) **U.S. Cl.**
USPC **D13/182**
(58) **Field of Classification Search**
USPC D13/182; 174/250, 254; 257/40, 66, 72, 257/79-84; 313/483, 494, 506, 512; 315/169.3; 345/76, 82; 428/690; 427/66; 438/99, 460
See application file for complete search history.

D633,450 S * 3/2011 Fujihara et al. D13/180
D633,451 S * 3/2011 Fujihara et al. D13/180
D637,165 S * 5/2011 Kuzuoka D13/180
D638,380 S * 5/2011 Kuzuoka D13/180
D642,996 S * 8/2011 Miyake D13/180
D658,602 S * 5/2012 Egawa et al. D13/180
D664,506 S * 7/2012 Kuzuoka D13/180
D664,937 S * 8/2012 Kuzuoka D13/180
D673,921 S * 1/2013 Ozawa D13/182
D673,922 S * 1/2013 Moriai et al. D13/182
D684,124 S * 6/2013 Matsuhisa et al. D13/180
D684,125 S * 6/2013 Kawachi et al. D13/180
D684,126 S * 6/2013 Kawachi et al. D13/180
D688,637 S * 8/2013 Matsuhisa et al. D13/180
D690,277 S * 9/2013 Matsuhisa et al. D13/180
D694,200 S * 11/2013 Matsuhisa et al. D13/180
2001/0019245 A1 * 9/2001 Ohshita et al. 313/506
2005/0168143 A1 * 8/2005 Kum et al. 313/512
2006/0186520 A1 * 8/2006 Toba et al. 257/678
2008/0200041 A1 * 8/2008 Lin et al. 439/62
2009/0267526 A1 * 10/2009 Sung et al. 315/169.3
2011/0248627 A1 * 10/2011 Fukano et al. 313/504

* cited by examiner

Primary Examiner — Elizabeth J Oswecki

(74) *Attorney, Agent, or Firm* — Kilpatrick Townsend & Stockton LLP

(57) **CLAIM**

The ornamental design for a signal conversion device, as shown and described.

DESCRIPTION

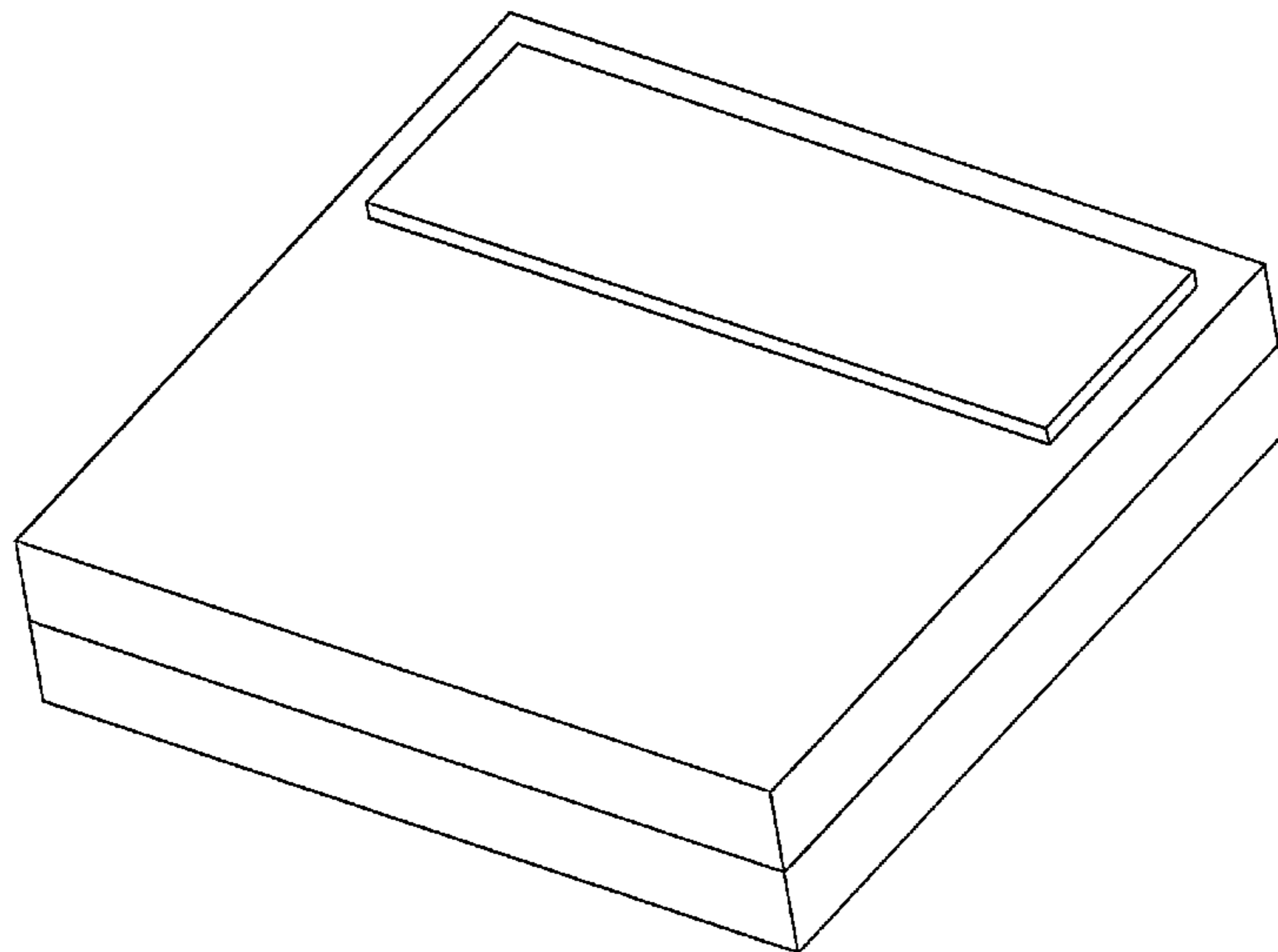
FIG. 1 is a front elevation view of a signal conversion device showing our new design;
FIG. 2 is a top plan view thereof;
FIG. 3 is a rear elevation view thereof;
FIG. 4 is a bottom plan view thereof;
FIG. 5 is a right side elevation view thereof;
FIG. 6 is a left side view elevation thereof; and,
FIG. 7 is a top, perspective view thereof.

1 Claim, 4 Drawing Sheets

(56) **References Cited**

U.S. PATENT DOCUMENTS

3,497,750 A * 2/1970 Knochel et al. 313/503
D456,787 S * 5/2002 Wasada et al. D13/182
D461,171 S * 8/2002 Fukumoto et al. D13/182
D465,463 S * 11/2002 Wasada et al. D13/182
D465,773 S * 11/2002 Fukumoto et al. D13/182
D475,028 S * 5/2003 Hori et al. D13/182
D475,355 S * 6/2003 Hori et al. D13/182
D475,982 S * 6/2003 Hori et al. D13/182
D504,874 S * 5/2005 Celaya et al. D13/182
D510,728 S * 10/2005 Celaya et al. D13/182



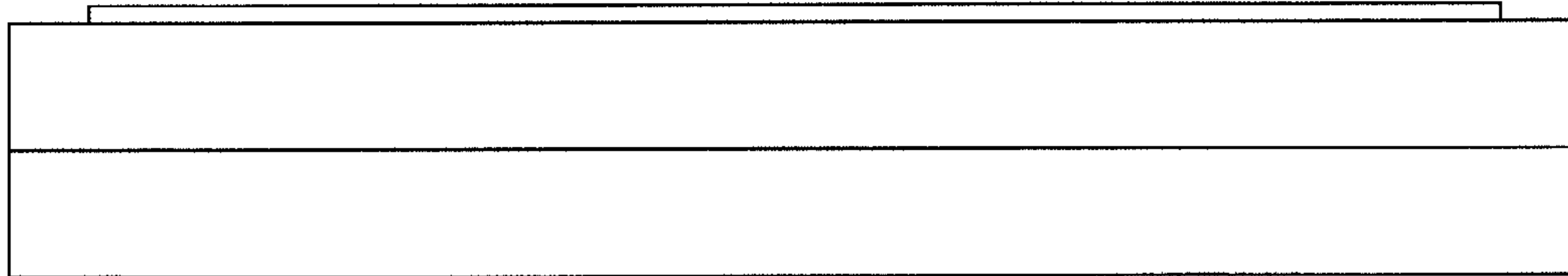


FIG. 1

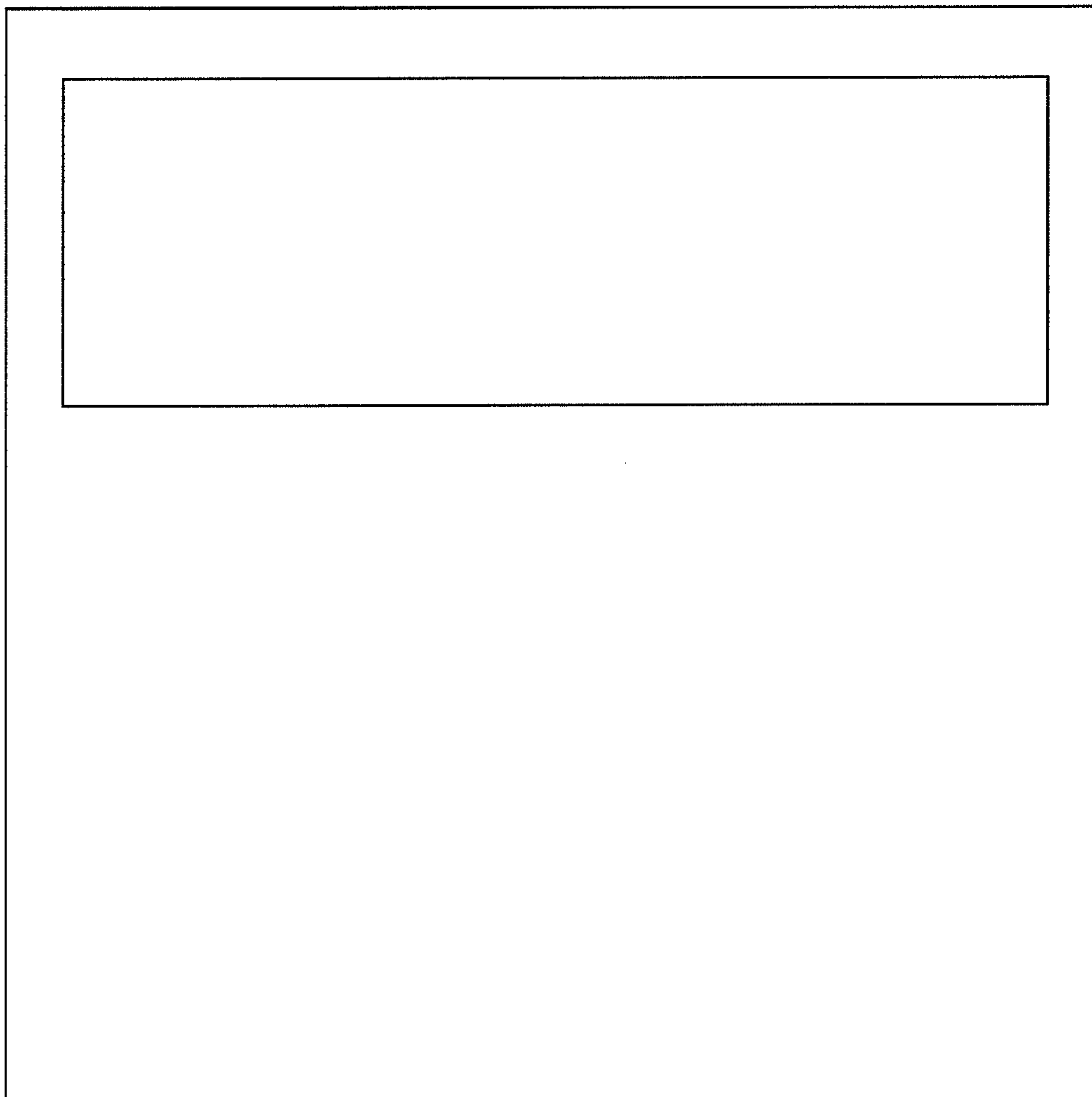


FIG. 2

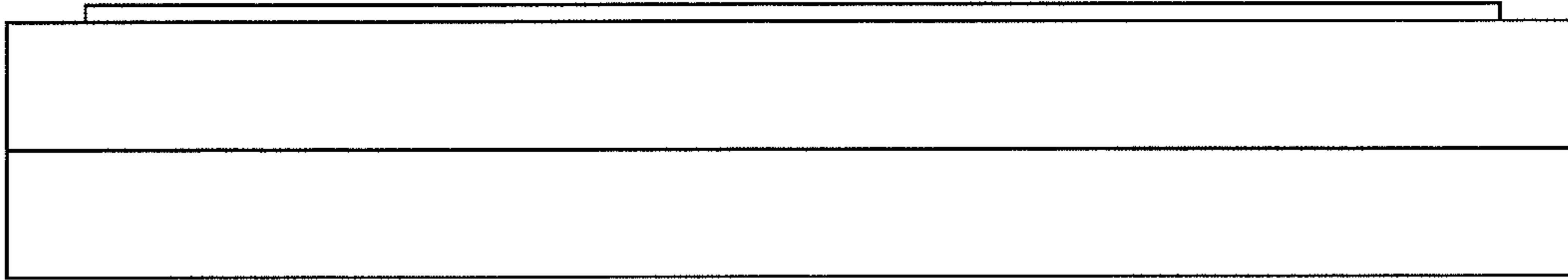


FIG. 3

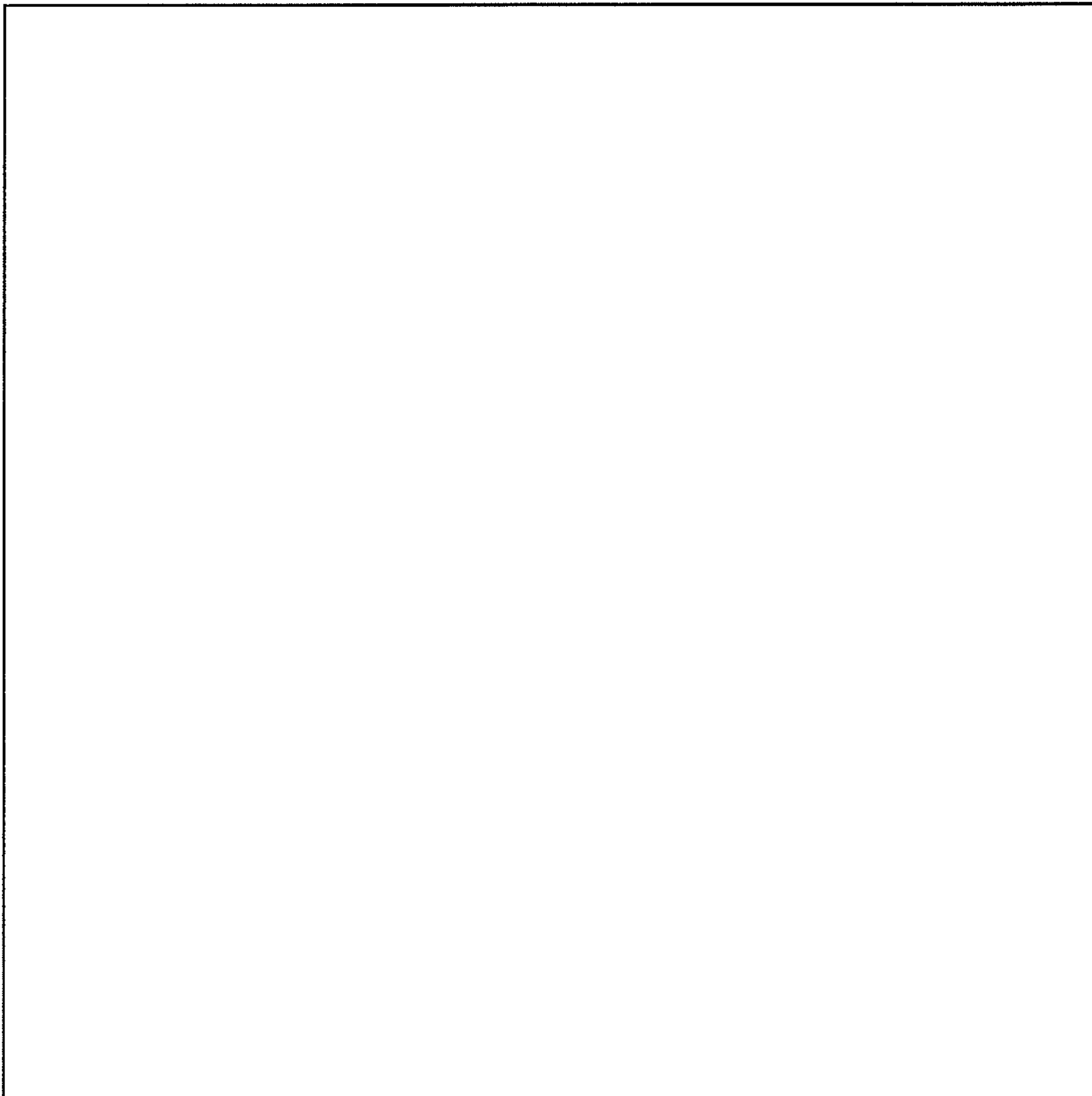


FIG. 4

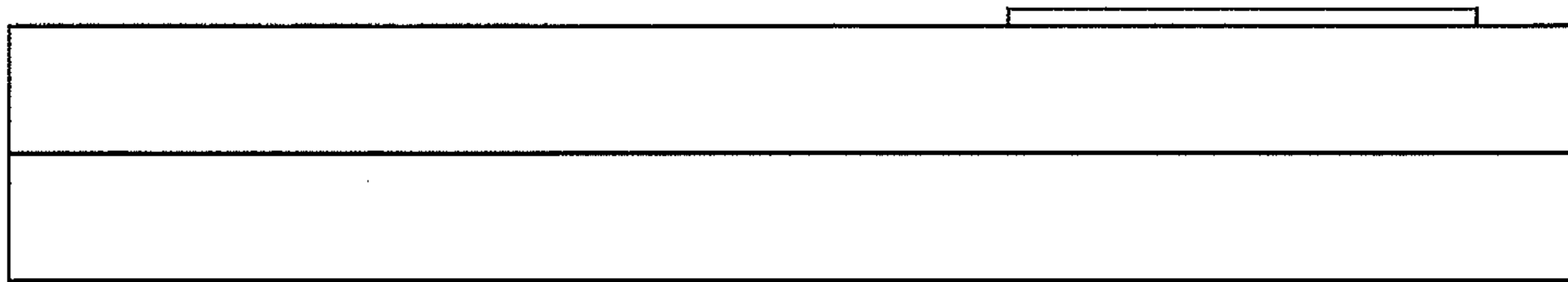


FIG. 5

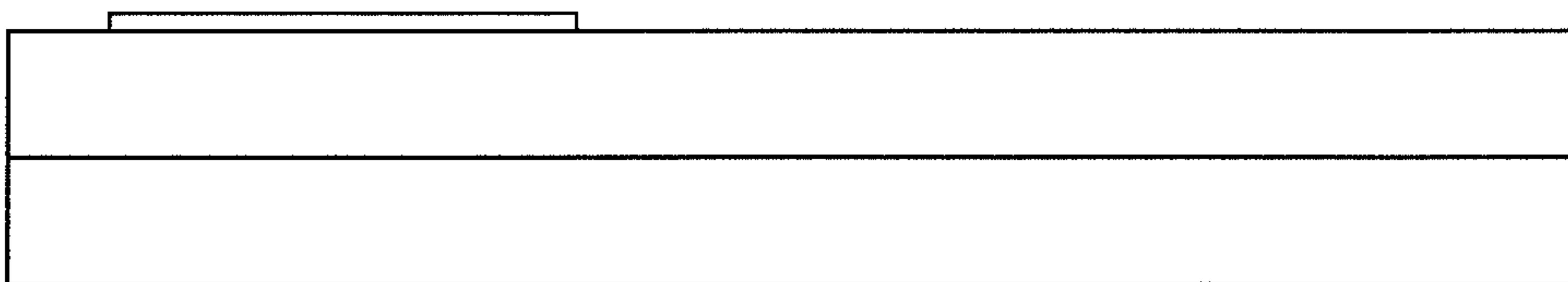


FIG. 6

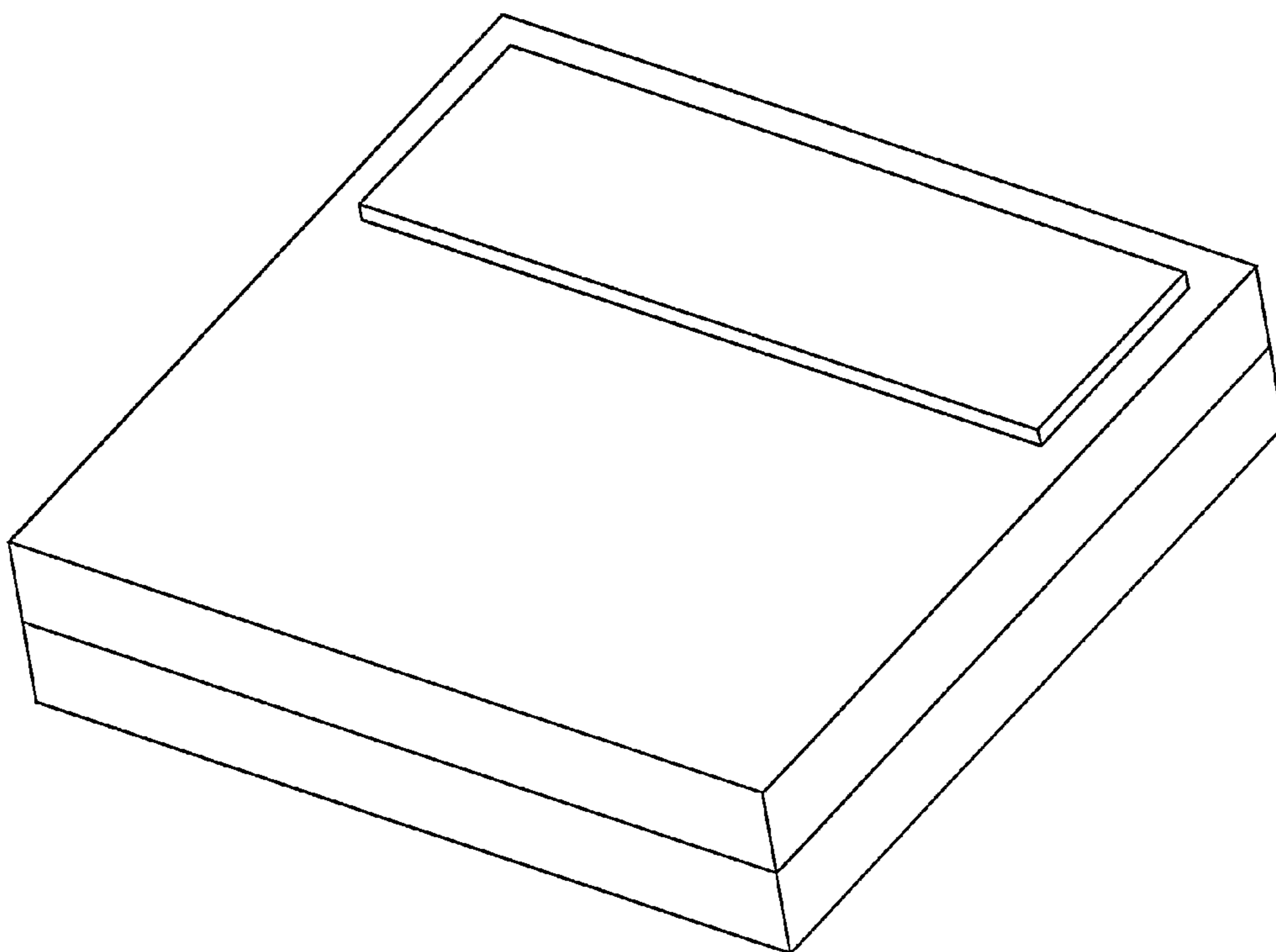


FIG. 7