



US00D706730S

(12) **United States Design Patent**
Hochman et al.

(10) **Patent No.:** **US D706,730 S**
(45) **Date of Patent:** **** Jun. 10, 2014**

(54) **CONNECTOR PLATE**

(71) Applicant: **Full Throttle Films, Inc.**, Glendale, CA (US)
(72) Inventors: **Jeremy Hochman**, Walnut, CA (US);
Henry Ambrose, Glendale, CA (US);
Arnaud Latombe, Austin, TX (US)
(73) Assignee: **Revolution Display, Inc.**, Glendale, CA (US)

(**) Term: **14 Years**

(21) Appl. No.: **29/435,049**

(22) Filed: **Oct. 18, 2012**

(51) **LOC (10) Cl.** **13-03**

(52) **U.S. Cl.**
USPC **D13/177; D13/133; D13/146**

(58) **Field of Classification Search**
USPC D13/133, 146, 147, 151, 152, 158, 162,
D13/177, 199; D14/188, 217, 256, 257,
D14/433, 432, 239, 374, 448, 126; D8/350,
D8/353; 439/540.1, 708; 174/50, 53, 480,
174/481, 377, 58, 59; 345/46
See application file for complete search history.

(56) **References Cited**

U.S. PATENT DOCUMENTS

D371,540 S *	7/1996	Siemon et al.	D13/146
D399,810 S *	10/1998	Tucker	D12/192
D422,563 S *	4/2000	Wu	D13/147
D432,991 S *	10/2000	Taguchi	D13/147
D460,342 S *	7/2002	Luu	D8/353
D463,969 S *	10/2002	Luu	D8/353
D553,475 S *	10/2007	Gorin et al.	D8/353
D559,182 S *	1/2008	Rector et al.	D13/133
D561,708 S *	2/2008	Anzai	D13/177
D562,767 S *	2/2008	Grolmes et al.	D13/124

D573,544 S *	7/2008	Provenzano	D13/162
D574,329 S *	8/2008	So	D13/147
D578,081 S *	10/2008	Corbin	D13/177
D579,882 S *	11/2008	Corbin	D13/177
D581,393 S *	11/2008	Rodrigues	D14/188
D585,380 S *	1/2009	So	D13/146
D611,036 S *	3/2010	Cooper et al.	D14/217
D613,270 S *	4/2010	Cooper et al.	D14/217
D632,268 S *	2/2011	Laursen et al.	D13/199
D646,954 S *	10/2011	Azelton et al.	D8/350
D676,813 S *	2/2013	Wiest et al.	D13/151

OTHER PUBLICATIONS

Everbrighten BR5, Oct. 2012, site searched Dec. 23, 2013 [online],
<http://www.ict-rental.de/fileadmin/rental/documents/Video/LED/Outdoor/Everbrighten_BR7_english.pdf>.*

* cited by examiner

Primary Examiner — Deanna L Pratt
Assistant Examiner — Harold Blackwell, II
(74) *Attorney, Agent, or Firm* — Arent Fox LLP

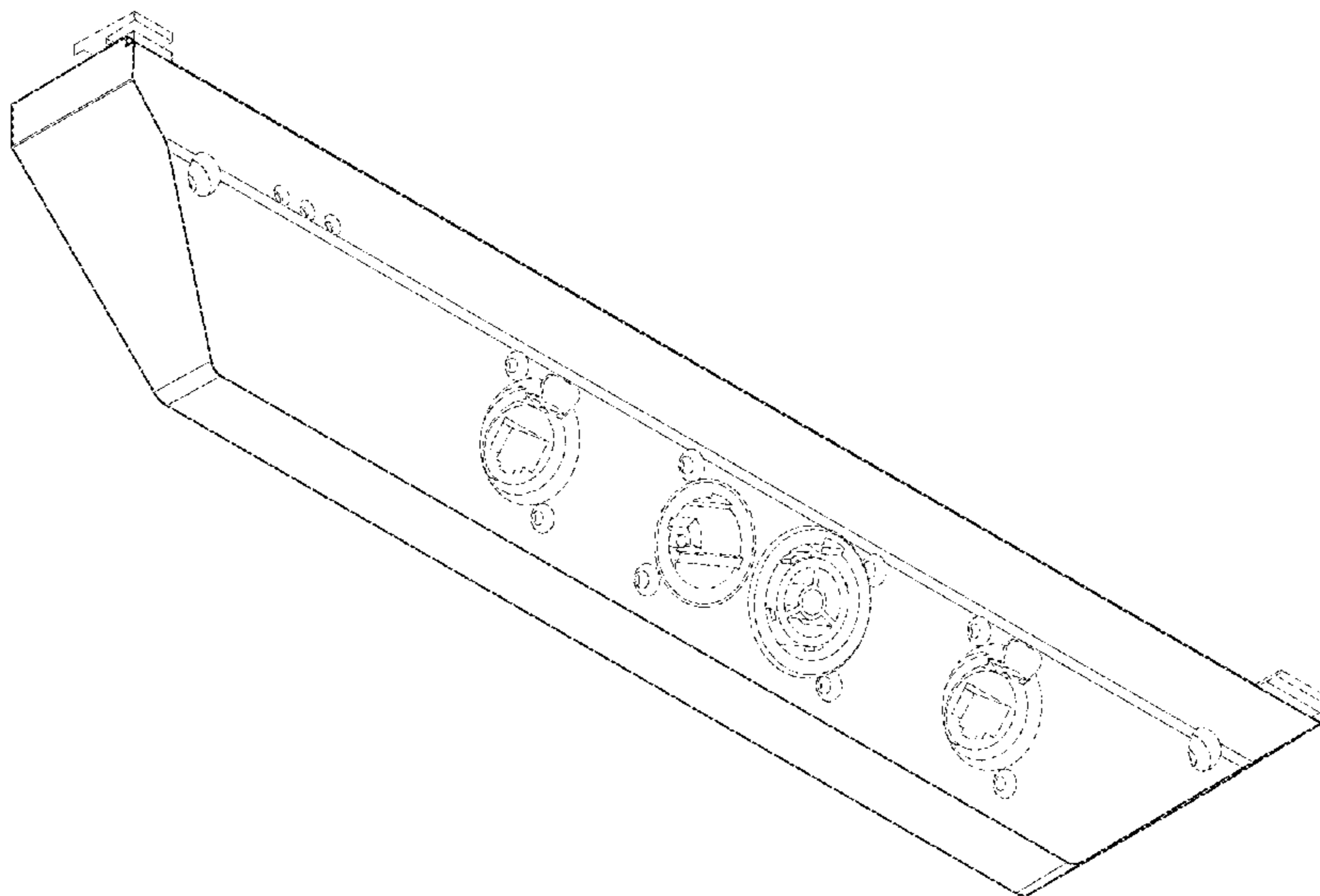
(57) **CLAIM**

The ornamental design for a connector plate, as shown and described.

DESCRIPTION

FIG. 1 is a perspective view of a connector plate showing my new design;
FIG. 2 is a top view thereof;
FIG. 3 is a first side view thereof;
FIG. 4 is a second, opposing side view thereof;
FIG. 5 is a back view thereof; and,
FIG. 6 is a front view thereof.
The broken lines in the drawing are for the purpose of illustrating unclaimed portions of the connector plate and form no part of the claimed design.

1 Claim, 5 Drawing Sheets



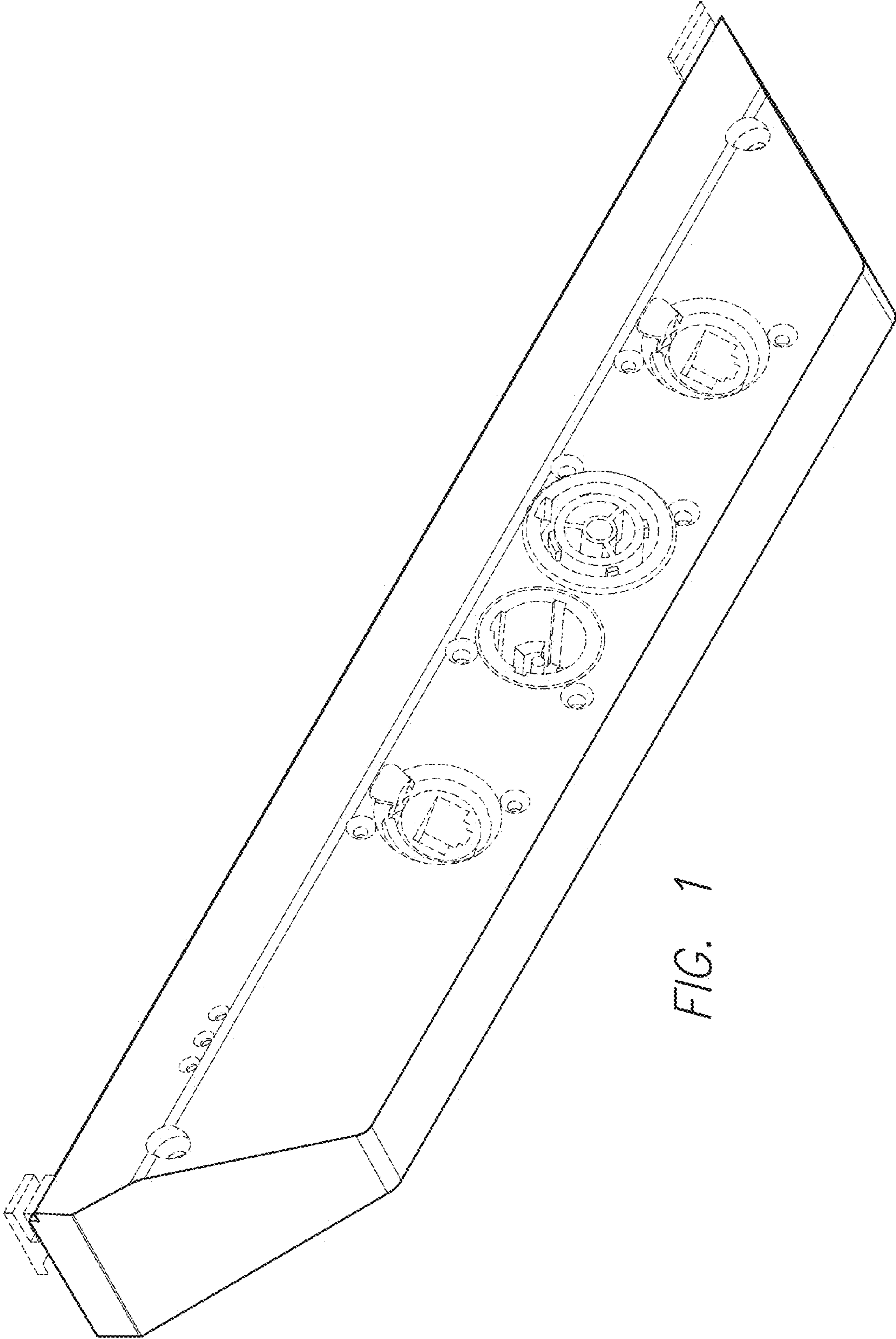


FIG. 1

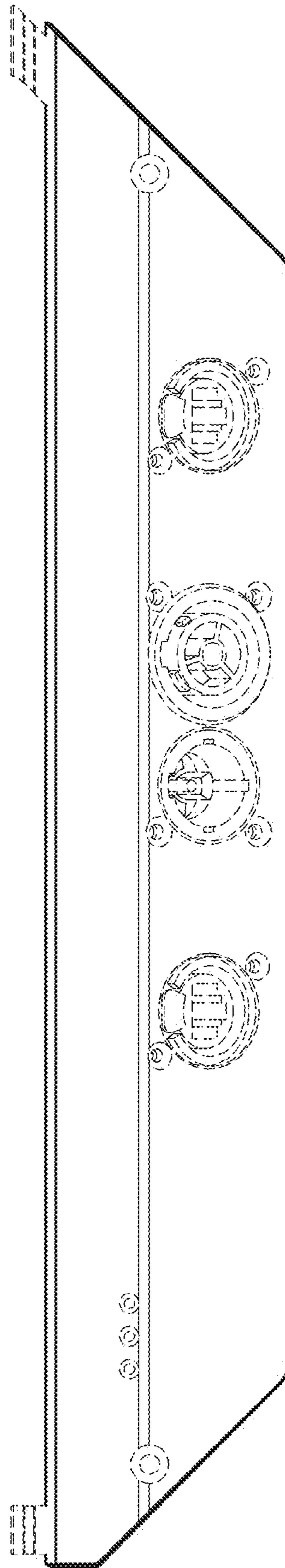


FIG. 2

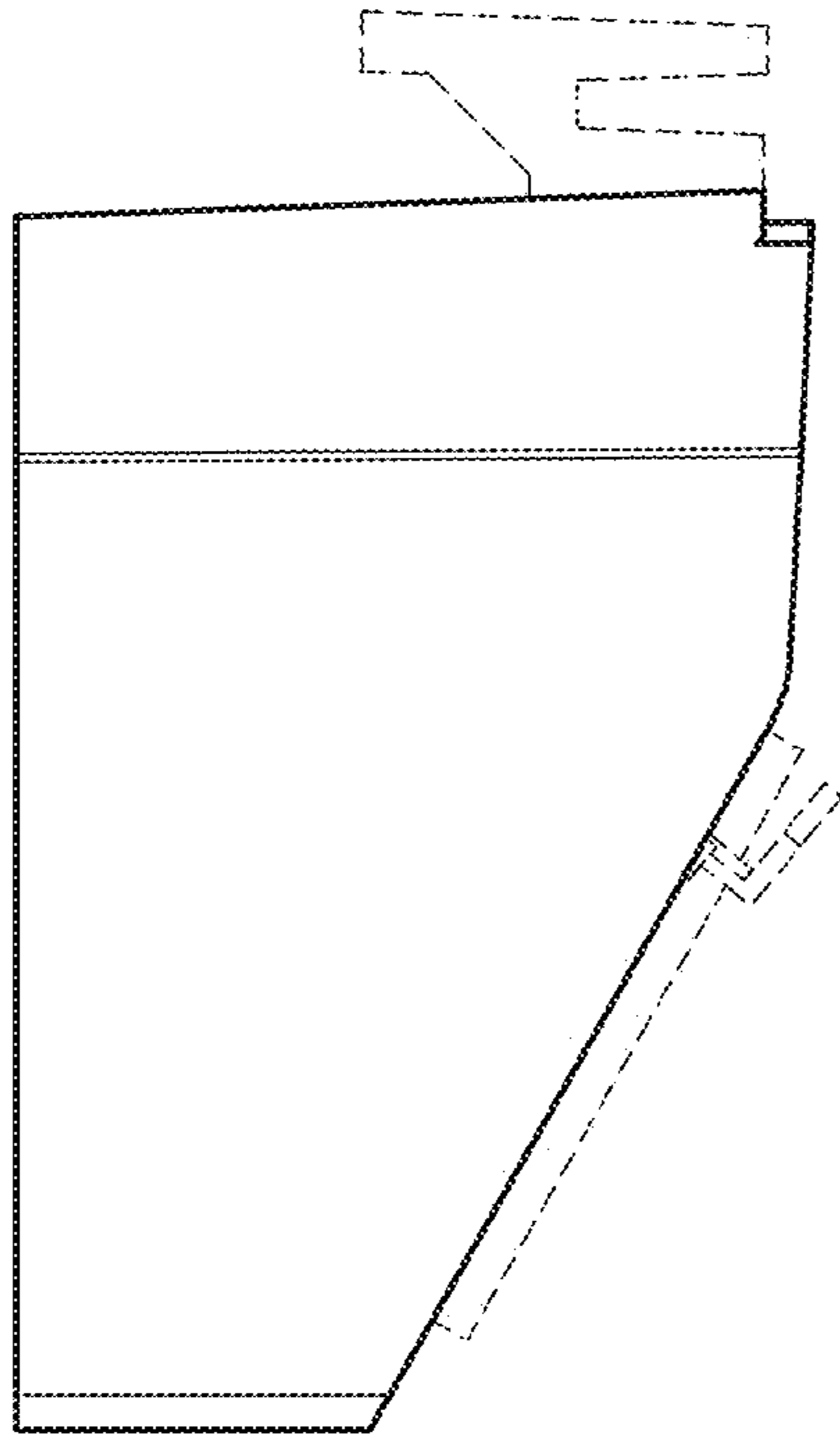


FIG. 3

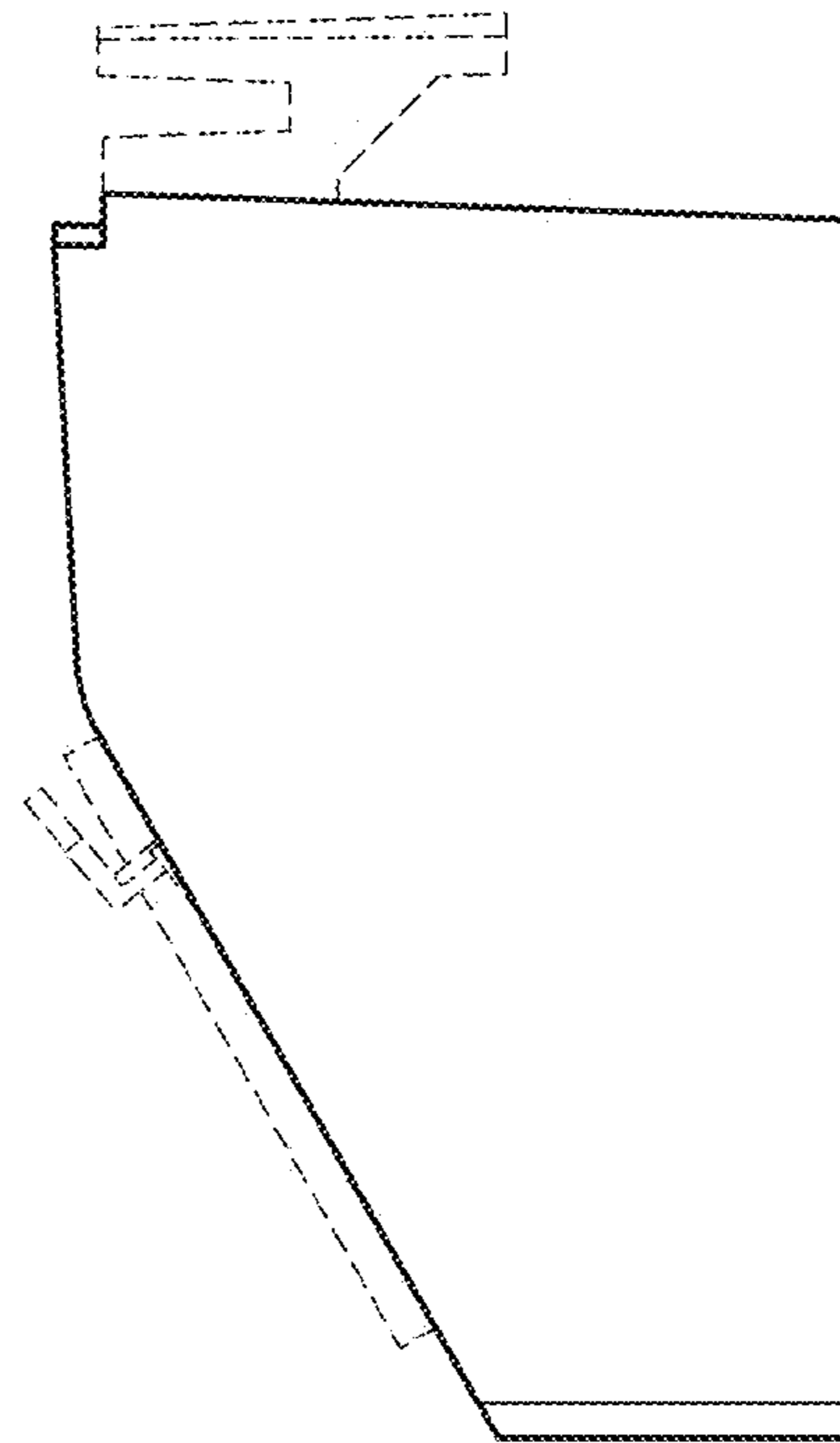


FIG. 4

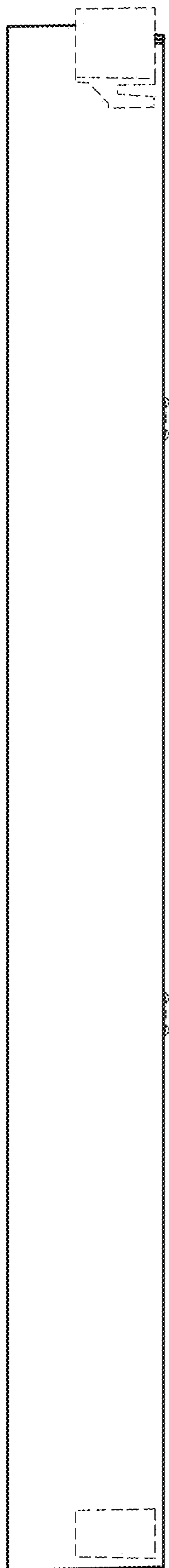


FIG. 5

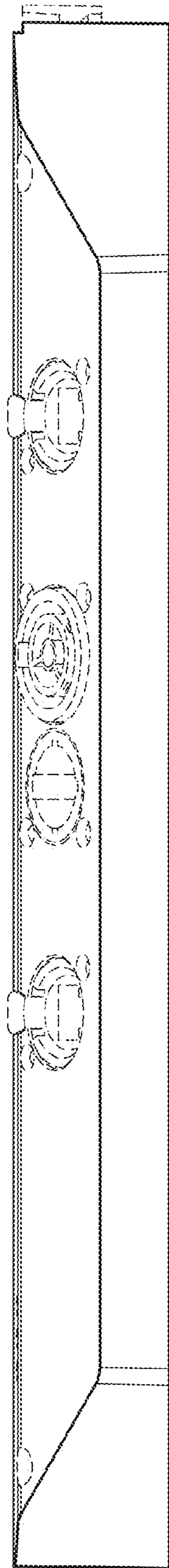


FIG. 6