

US00D706727S

(12) **United States Design Patent**  
**Joshi et al.**

(10) **Patent No.:** **US D706,727 S**  
(45) **Date of Patent:** **\*\* Jun. 10, 2014**

(54) **LOAD CONTROL DEVICE**

(71) Applicant: **Lutron Electronics Co., Inc.**,  
Coopersburg, PA (US)

(72) Inventors: **Gauri Ashok Joshi**, Pune (IN); **Amy E. Miller**, Allentown, PA (US); **Richard David Samuels**, Riegelsville, PA (US); **James P. Steiner**, Royersford, PA (US)

(73) Assignee: **Lutron Electronics Co., Inc.**,  
Coopersburg, PA (US)

(\*\*) Term: **14 Years**

(21) Appl. No.: **29/468,251**

(22) Filed: **Sep. 27, 2013**

(51) **LOC (10) Cl.** ..... **13-03**

(52) **U.S. Cl.**  
USPC ..... **D13/162; D10/106.8**

(58) **Field of Classification Search**  
USPC ..... D13/158, 162, 164; D10/104.1, 106.8;  
200/5 R, 5 A, 302.2, 520, 530, 293, 296,  
200/308, 310, 314, 330, 333, 329, 341;  
250/221, DIG. 1; 307/116, 141;  
340/540, 565; 361/157, 160, 178;  
700/295, 297  
See application file for complete search history.

(56) **References Cited**

**U.S. PATENT DOCUMENTS**

5,128,654	A *	7/1992	Griffin et al.	.....	340/567
D376,130	S	12/1996	Elwell et al.		
D435,473	S	12/2000	Eckel et al.		
D437,585	S	2/2001	Mayo et al.		
D439,853	S	4/2001	Aiello et al.		
D450,043	S	11/2001	Mosebrook		
D535,204	S	1/2007	Bender et al.		
D539,234	S	3/2007	Blair et al.		
D543,951	S *	6/2007	Blair et al.	.....	D13/162
D565,983	S	4/2008	Ni et al.		

D565,984	S	4/2008	Lidong et al.		
D569,291	S	5/2008	Ni et al.		
D583,336	S *	12/2008	Ni	.....	D13/170
7,480,208	B2 *	1/2009	Bender et al.	.....	367/93

(Continued)

**OTHER PUBLICATIONS**

Hubbell Building Automation, Inc., LightHawk Multi-Technology Wall Switch Sensor, Feb. 2006, 2 pages.

(Continued)

*Primary Examiner* — Selina Sikder

(74) *Attorney, Agent, or Firm* — Mark E. Rose; Philip N. Smith; Bridget L. McDonough

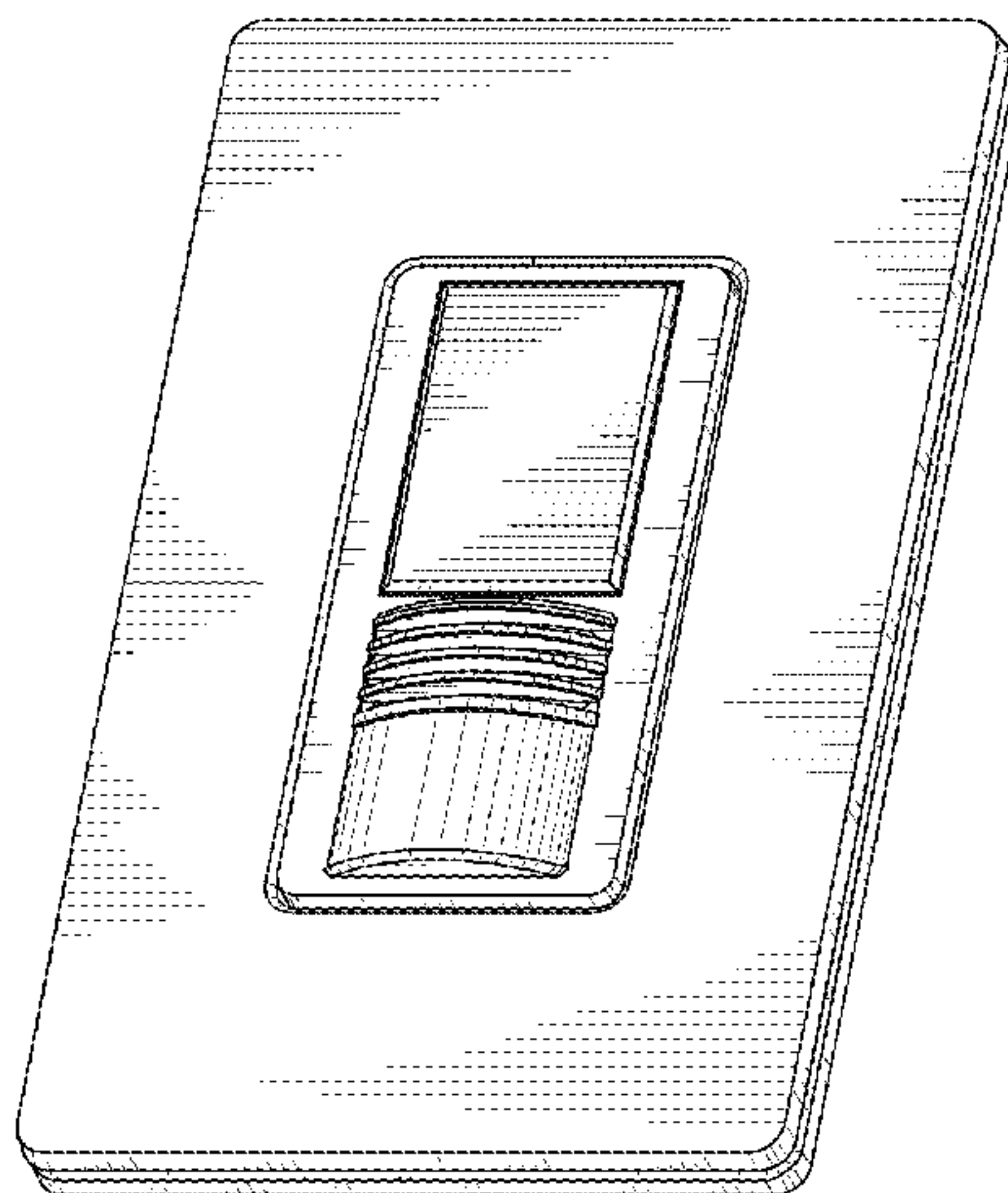
(57) **CLAIM**

We claim the ornamental design for a load control device, as shown and described.

**DESCRIPTION**

FIG. 1 is a perspective view of a load control device according to a first embodiment of our new design.  
 FIG. 2 is a front view thereof.  
 FIG. 3 is a left side view thereof.  
 FIG. 4 is a right side view thereof.  
 FIG. 5 is a top view thereof.  
 FIG. 6 is a bottom view thereof.  
 FIG. 7 is a perspective view of a load control device according to a second embodiment of our new design.  
 FIG. 8 is a front view thereof.  
 FIG. 9 is a left side view thereof.  
 FIG. 10 is a right side view thereof.  
 FIG. 11 is a top view thereof; and,  
 FIG. 12 is a bottom view thereof.  
 The rear views form no part of the design and are omitted. The portions of the drawings appearing in broken line are for environment only and do not form a part of the claimed design.

**1 Claim, 8 Drawing Sheets**



(56)

**References Cited**

U.S. PATENT DOCUMENTS

D588,035	S	3/2009	Schmalz et al.	
D595,604	S	7/2009	Schmalz et al.	
7,576,647	B1 *	8/2009	Mudge .....	340/541
D602,446	S *	10/2009	Felegy et al. ....	D13/171
D627,309	S	11/2010	Snyder et al.	
D654,030	S *	2/2012	Hoffknecht et al. ....	D13/164
8,346,403	B2	1/2013	Goyal et al.	
2011/0253516	A1 *	10/2011	Figueroa et al. ....	200/297
2013/0285472	A1 *	10/2013	Bull .....	307/116

OTHER PUBLICATIONS

- U.S. Appl. No. 29/452,762, filed Apr. 22, 2013, Sloan.
- U.S. Appl. No. 29/452,764, filed Apr. 22, 2013, Sloan.
- U.S. Appl. No. 29/468,254, Sep. 27, 2013, Joshi et al.
- U.S. Appl. No. 29/468,255, filed Sep. 27, 2013, Joshi et al.
- U.S. Appl. No. 29/468,257, Sep. 27, 2013, Joshi et al.

- Leviton Manufacturing Co., Inc., Occupancy Sensors Product Guide, 2006, front cover, p. 9, rear cover.
- Leviton Manufacturing Co., Inc., OSSMT-MDA Product Specifications/Info Sheet, 2007, 2 pages.
- Lightolier Controls, IntelliSight Universal Sensor Switch Installation and Operations Manuel, 2007, 12 pages.
- GE Total Lighting Control, Remote Control Low Voltage Switching Components and Applications, Sep. 1998, front cover, p. 26, rear cover.
- Novitas, Inc., SuperSwitch Mini Automatic On/Manual On Wall Switch Specification Sheet, 2002, 2 pages.
- Sensor Switch, Inc LWS/LWSH Series Large Area Wall Switch Sensor Specification Sheet, Dec. 7, 2005, 2 pages.
- Sensor Switch, Inc., WSD-PDT 2 Pole Passive Dual Technology Decorator Wall Switch Sensor Specification Sheet, Apr. 28, 2006, 2 pages.
- Watt Stopper, PW-100/PW-100-347/PW-200 Dual Technology Wall Switch Occupancy Sensor Installation Instructions, Oct. 2006, 8 pages.

\* cited by examiner

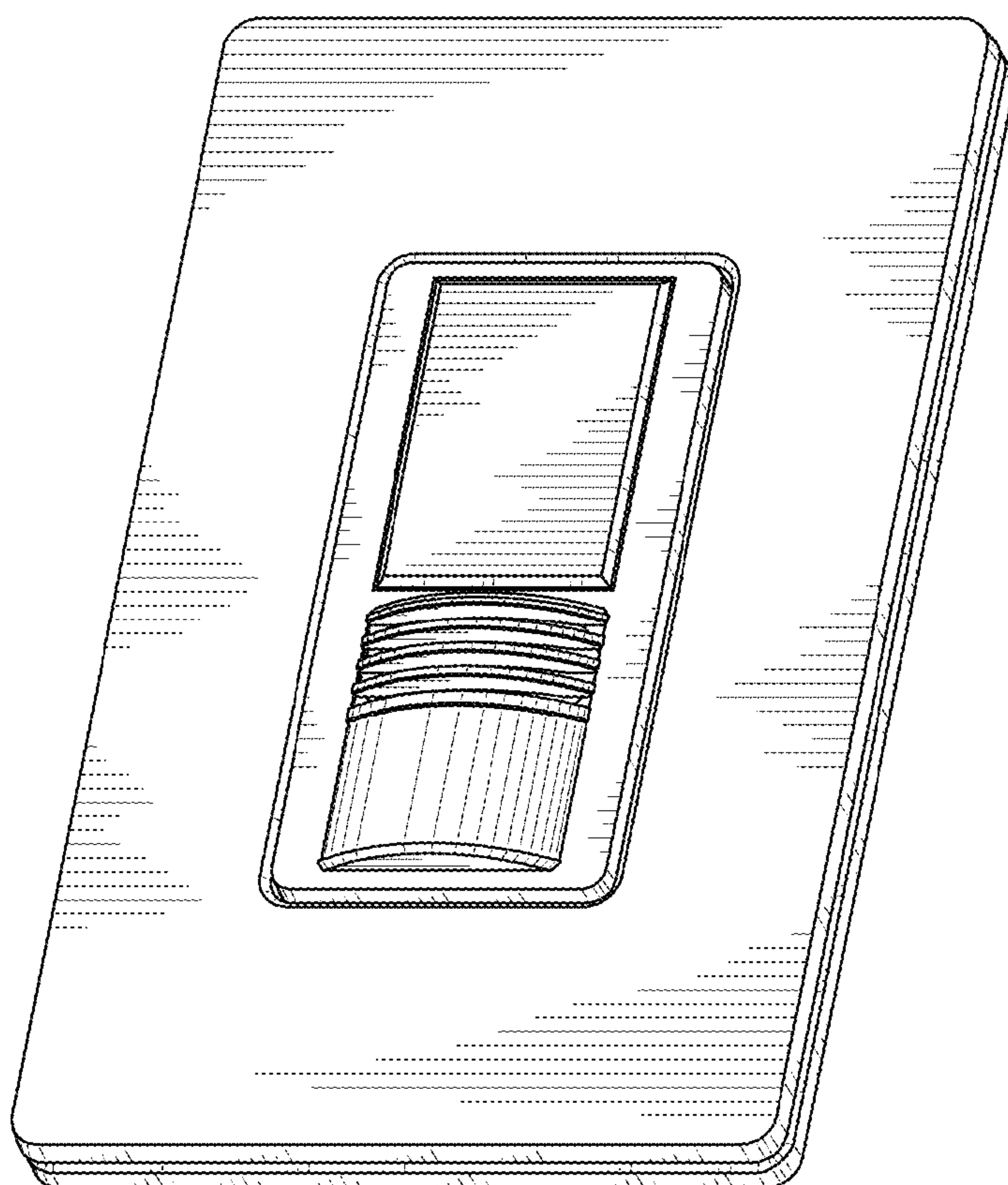


Fig. 1

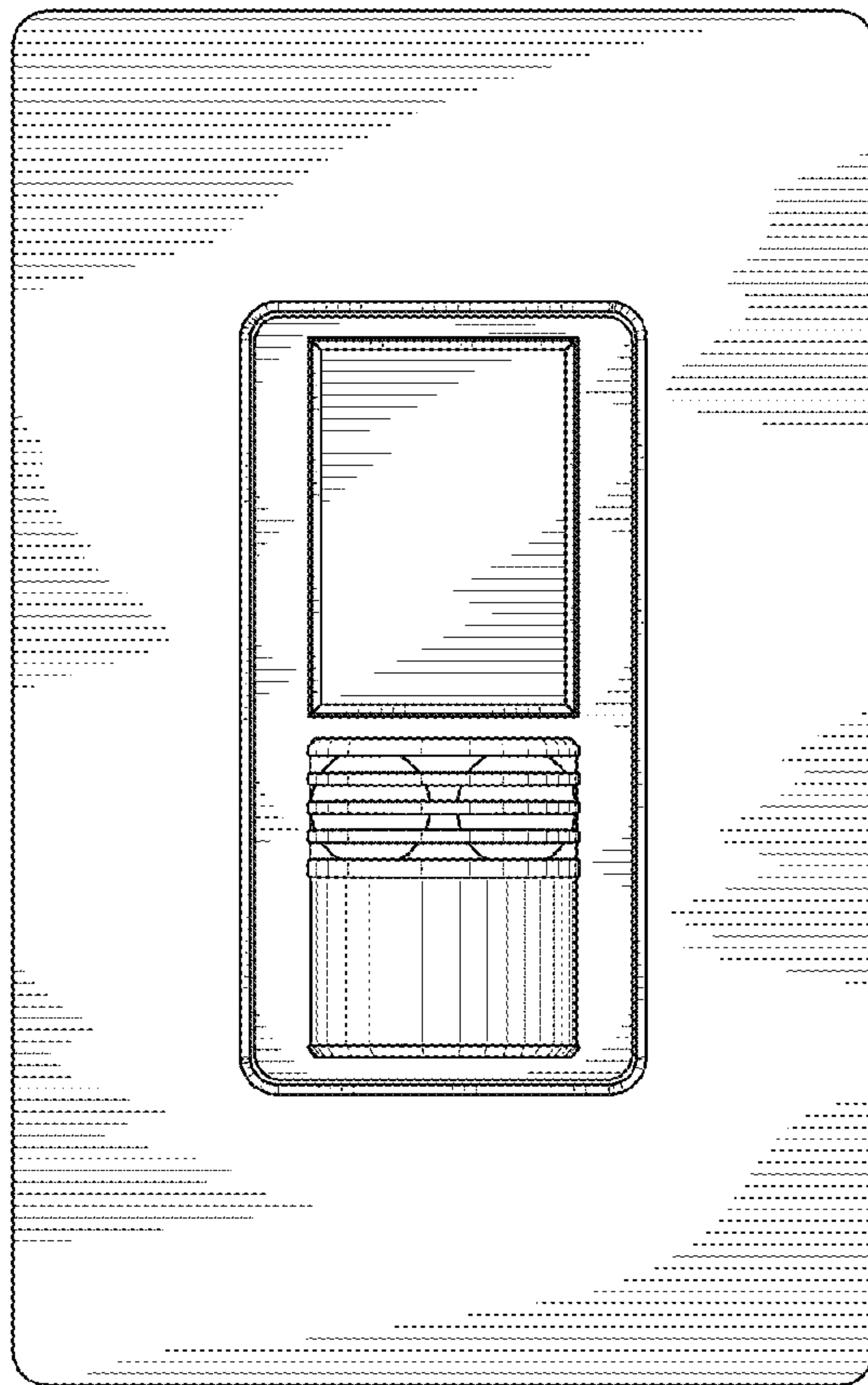


Fig. 2

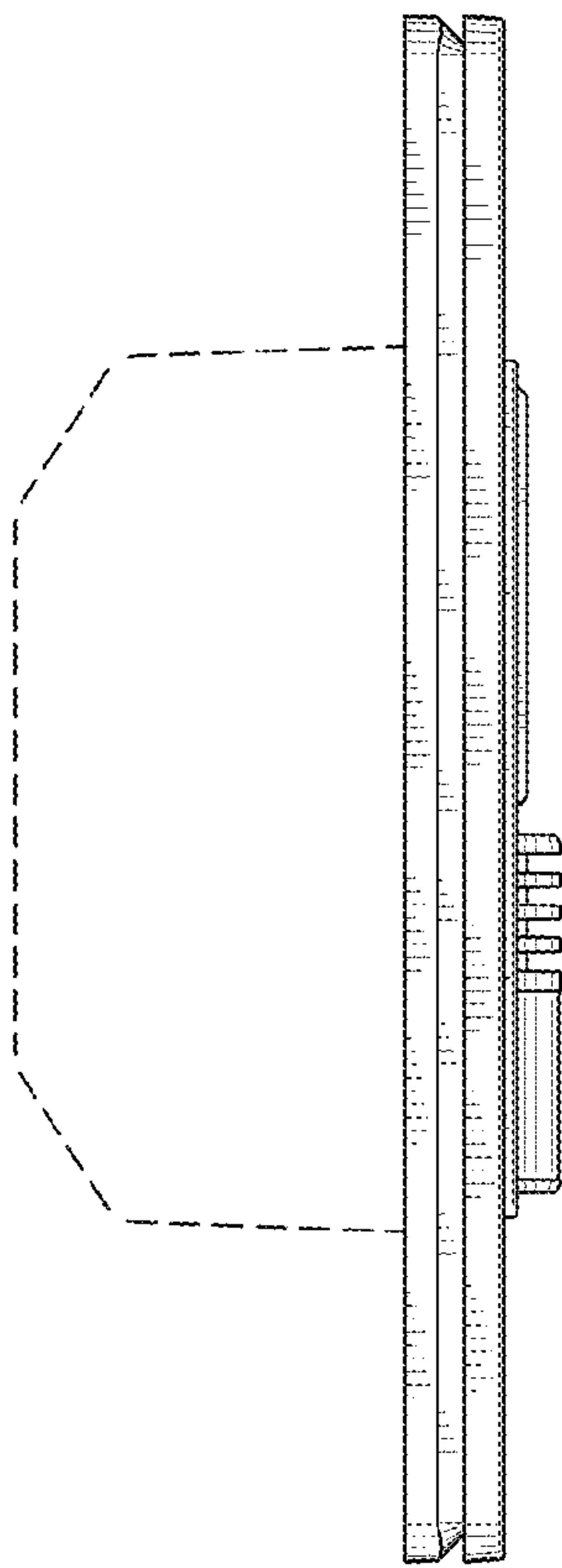


Fig. 3

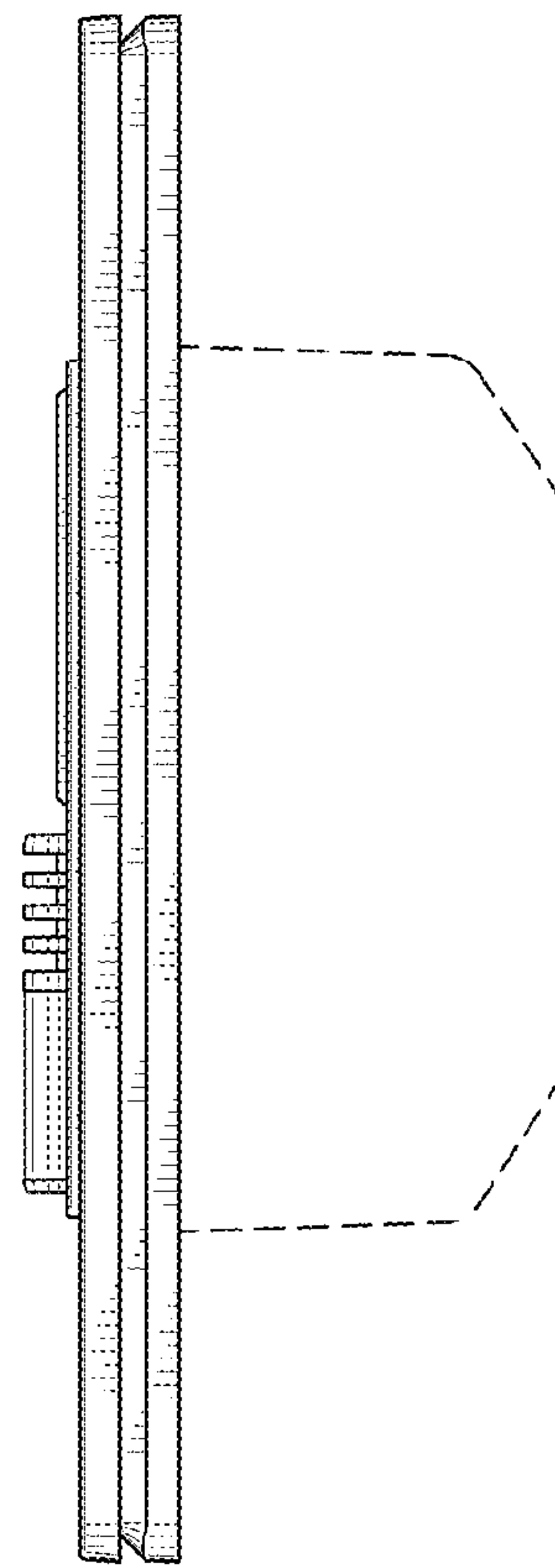


Fig. 4

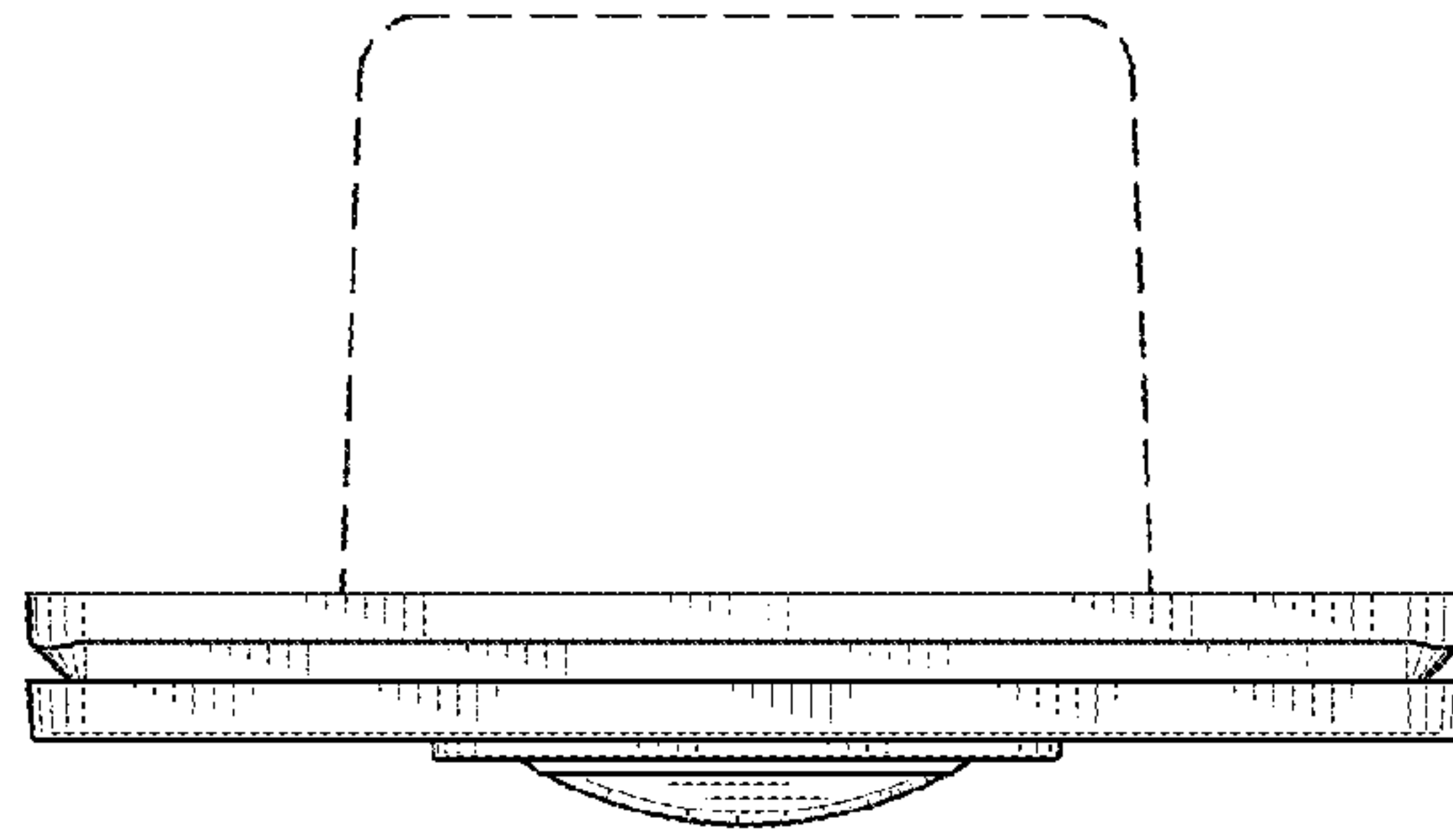


Fig. 5

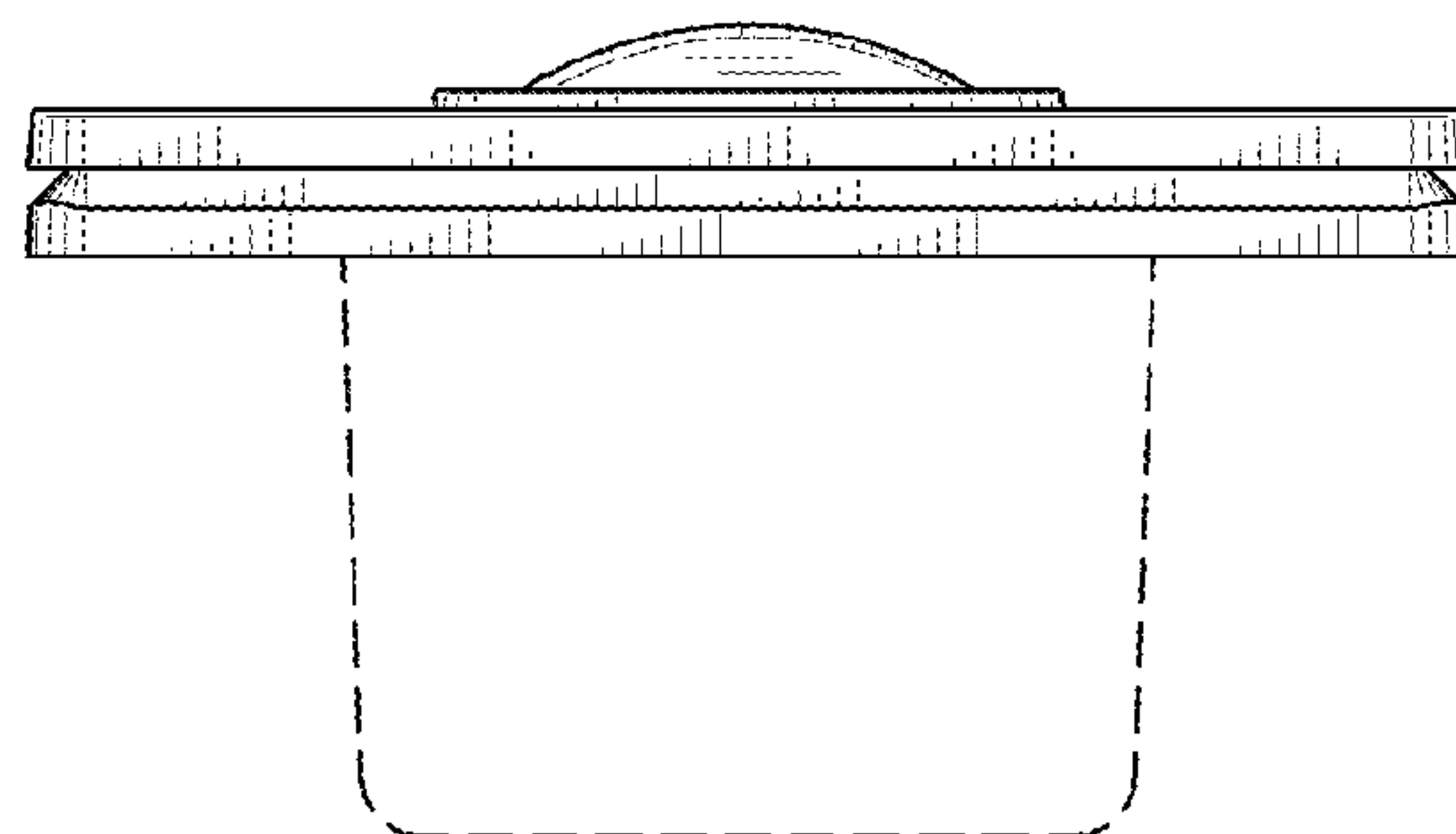


Fig. 6



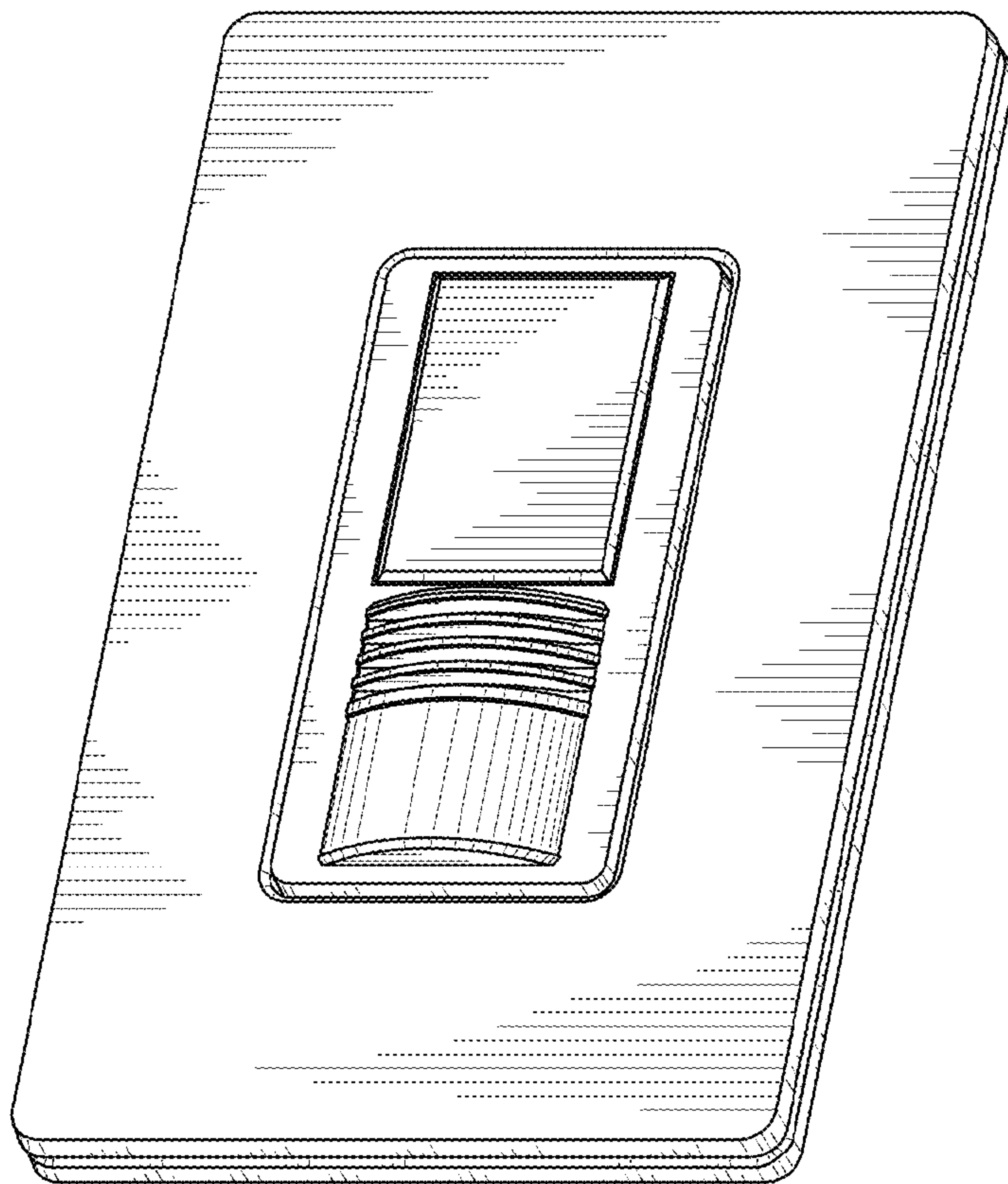


Fig. 7

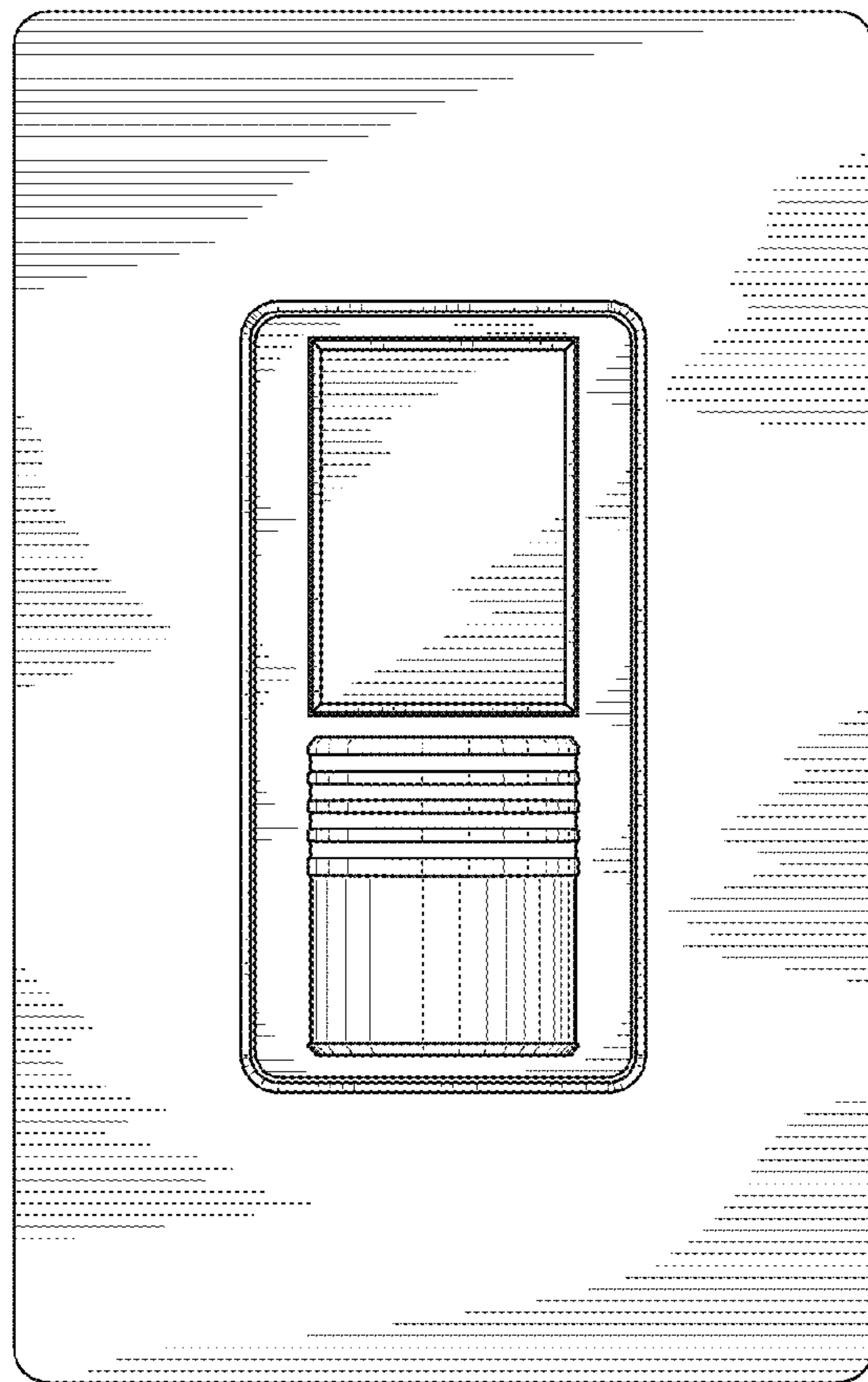


Fig. 8



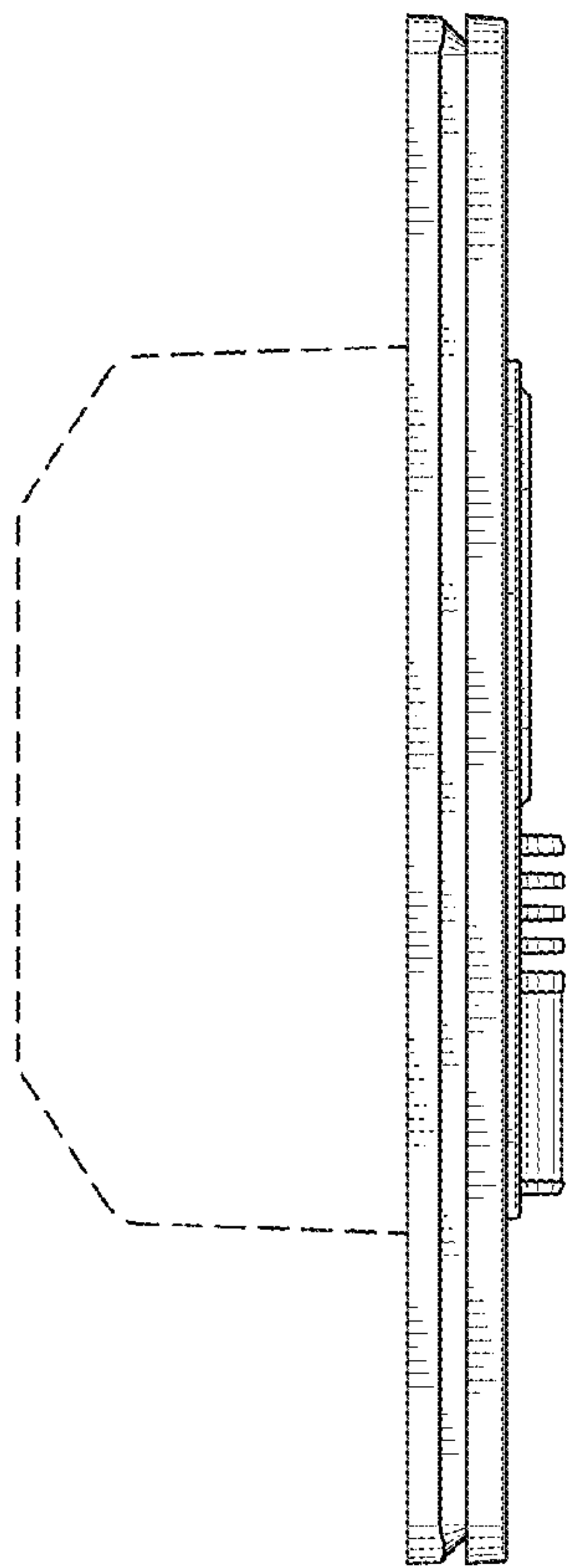


Fig. 9

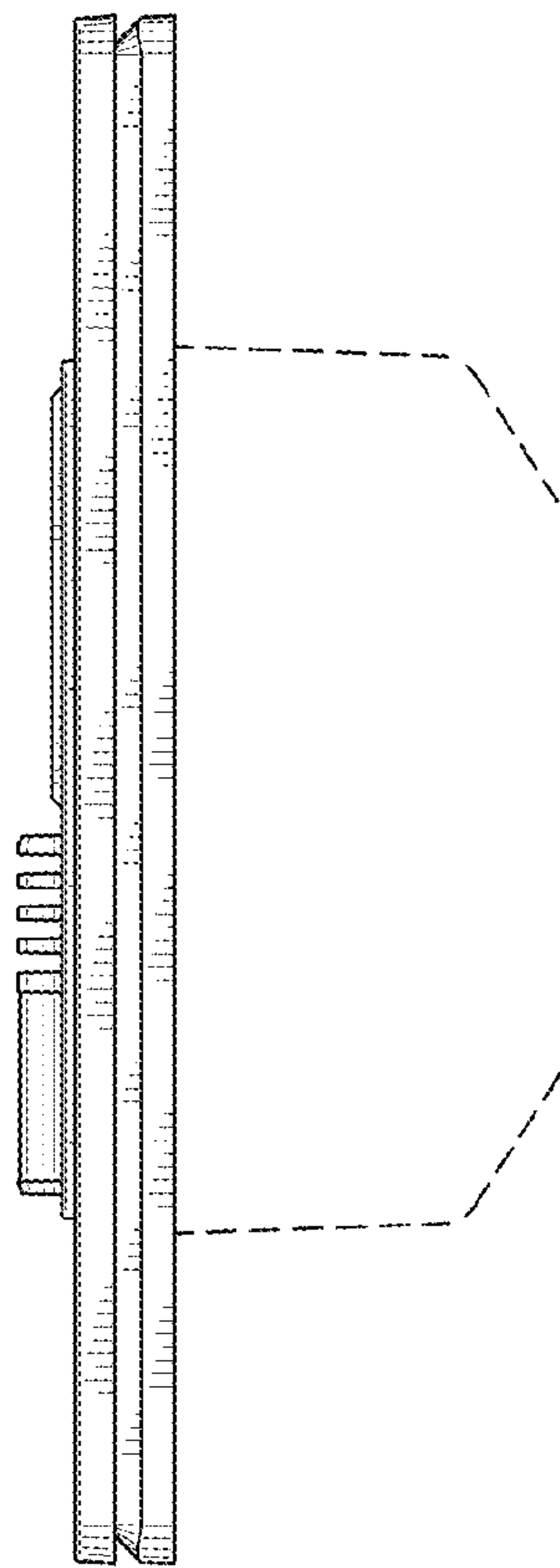


Fig. 10

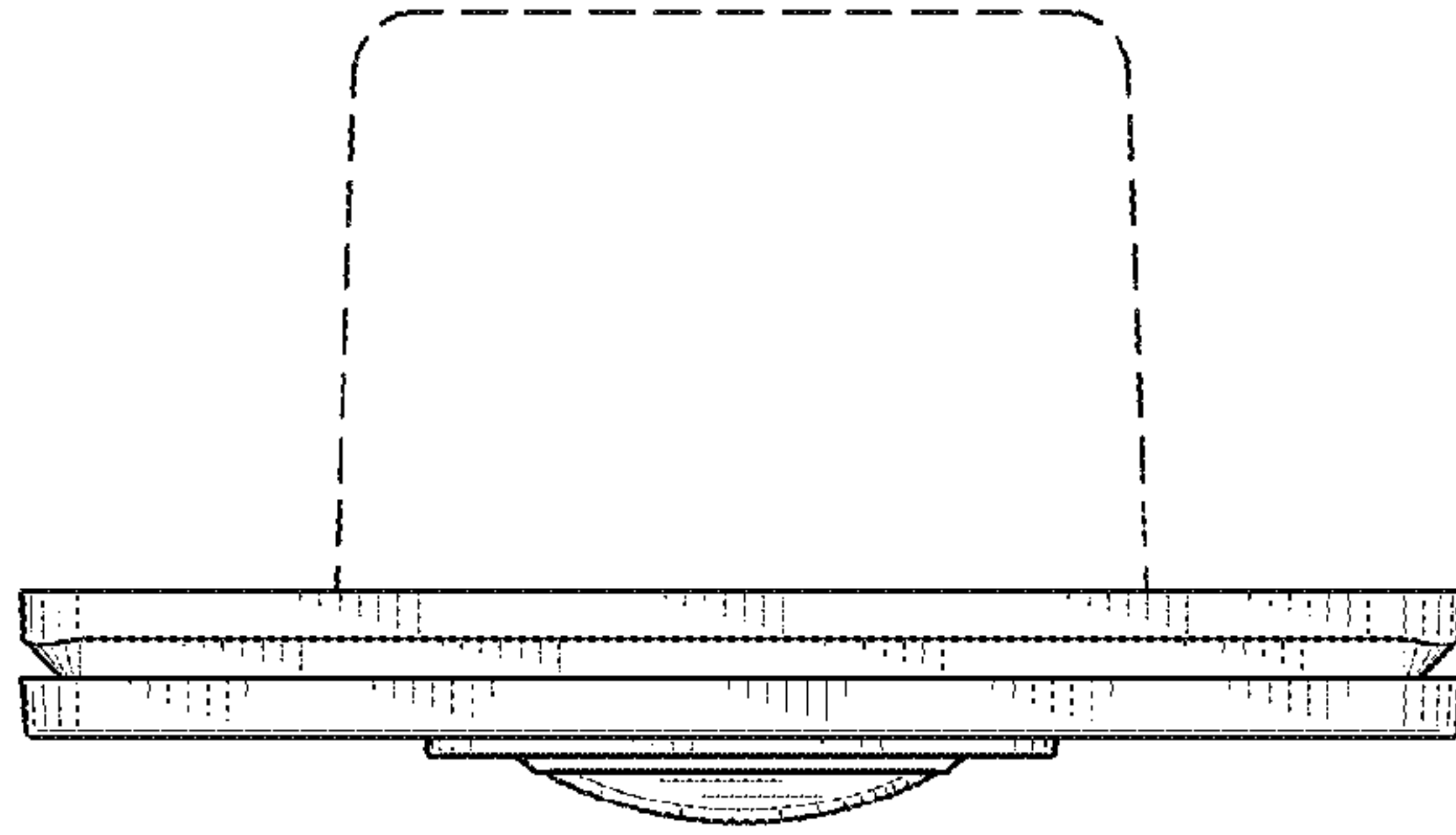


Fig. 11

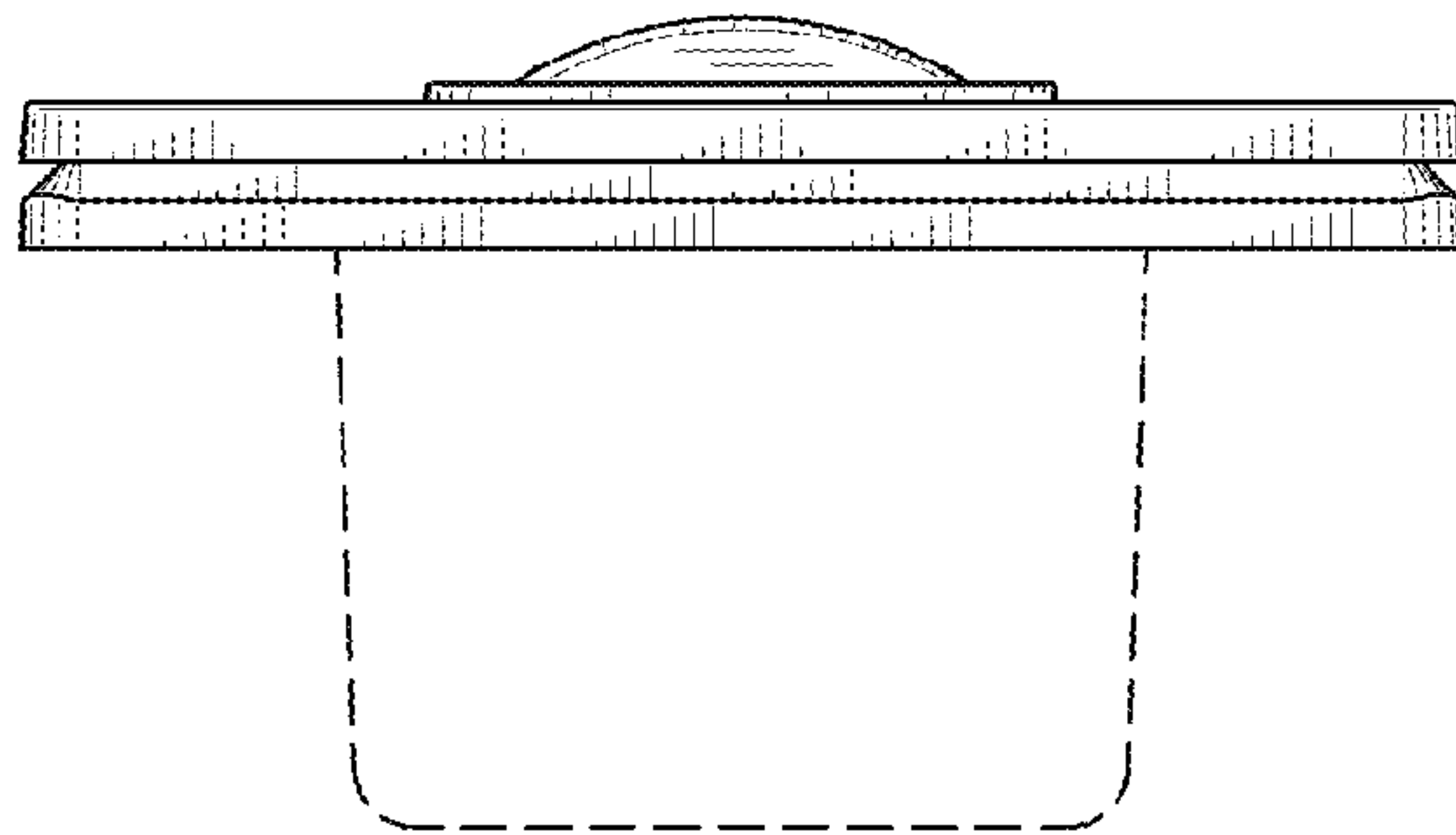


Fig. 12