



US00D706725S

(12) **United States Design Patent**  
**Majewski**

(10) **Patent No.:** **US D706,725 S**  
(45) **Date of Patent:** **\*\* Jun. 10, 2014**

(54) **CIRCUIT BREAKER**

(71) Applicant: **ABB Stotz-Kontakt GmbH**, Heidelberg  
(DE)

(72) Inventor: **Joachim Majewski**, Dossenheim (DE)

(73) Assignee: **ABB Stotz-Kontakt GmbH**, Heidelberg  
(DE)

(\*\*) Term: **14 Years**

(21) Appl. No.: **29/448,559**

(22) Filed: **Mar. 13, 2013**

(30) **Foreign Application Priority Data**

Sep. 28, 2012 (EM) ..... 002110890-0001

(51) **LOC (10) Cl.** ..... **13-03**

(52) **U.S. Cl.**  
USPC ..... **D13/160**

(58) **Field of Classification Search**

USPC ..... D13/158, 159, 160, 161, 162, 184, 199;  
200/43.14, 50.01, 50.21–50.23, 51 R,  
200/293, 400, 401; 361/42, 44, 45, 50, 71,  
361/115, 608, 634

See application file for complete search history.

(56) **References Cited**

U.S. PATENT DOCUMENTS

D206,006 S \* 10/1966 Camp et al. .... D13/160  
D233,241 S \* 10/1974 Mune ..... D13/160  
D281,156 S \* 10/1985 Harper ..... D13/160  
D550,630 S \* 9/2007 Wang et al. .... D13/160  
D658,135 S \* 4/2012 Weber et al. .... D13/160  
D658,136 S \* 4/2012 Weber et al. .... D13/160

\* cited by examiner

*Primary Examiner* — Thomas Johannes

(74) *Attorney, Agent, or Firm* — Buchanan Ingersoll Rooney  
PC

(57) **CLAIM**

The ornamental design for a circuit breaker, as shown and described.

**DESCRIPTION**

FIG. 1 is a perspective view of a circuit breaker showing my new design.

FIG. 2 is a front elevational view thereof.

FIG. 3 is a rear elevational view thereof.

FIG. 4 is a left side elevational view thereof.

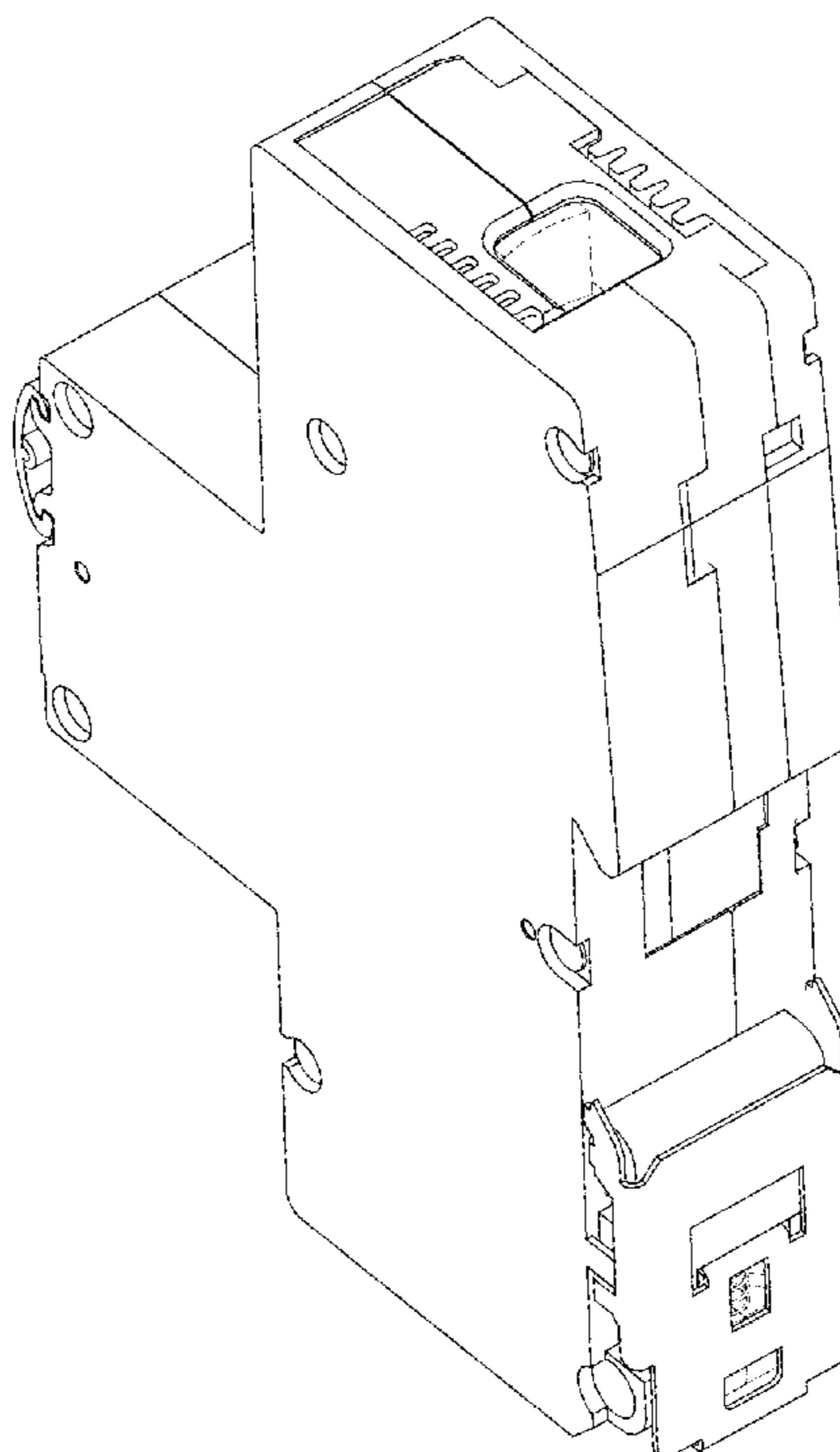
FIG. 5 is a right side elevational view thereof.

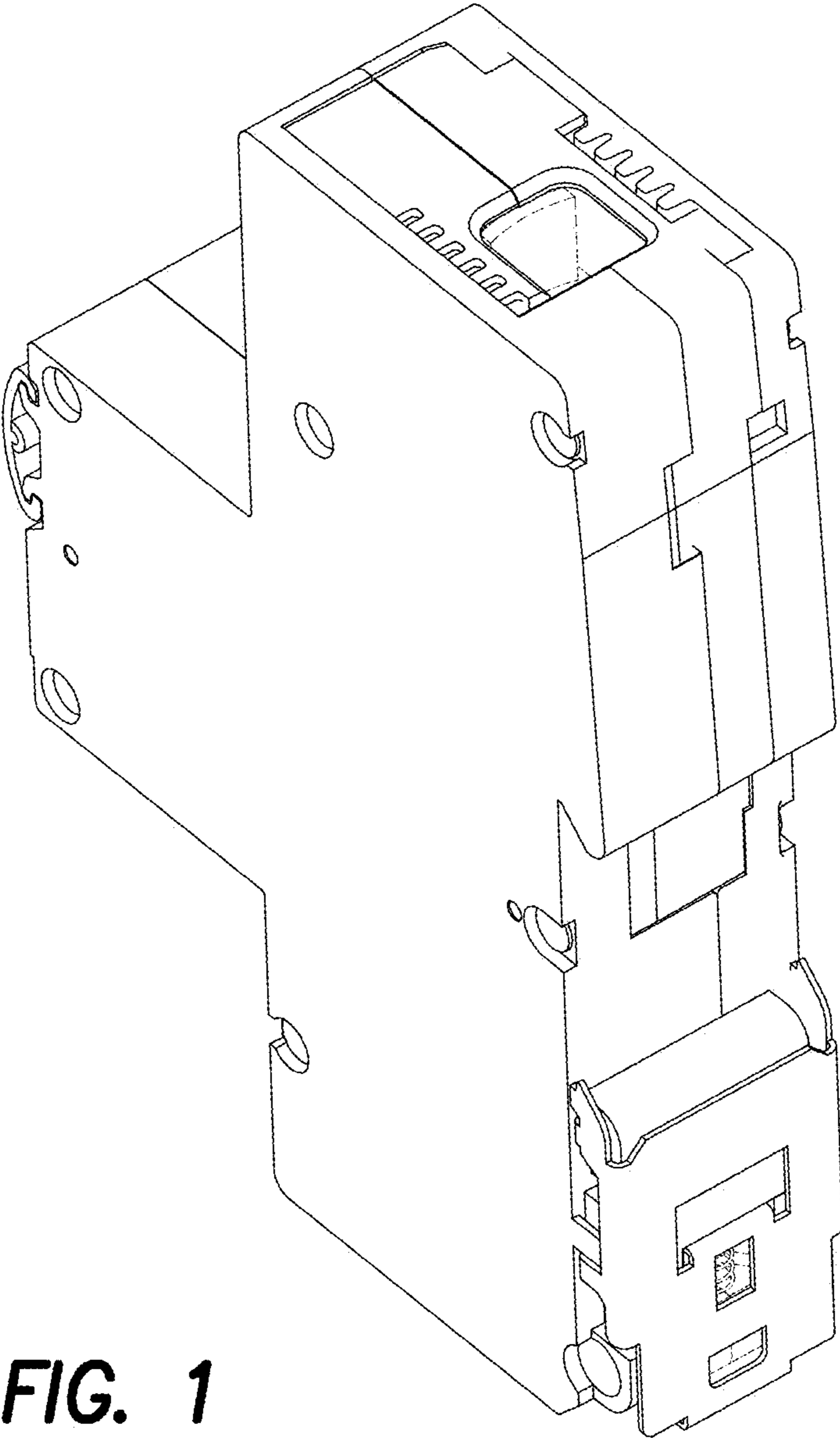
FIG. 6 is a bottom plan view thereof; and,

FIG. 7 is a top plan view thereof.

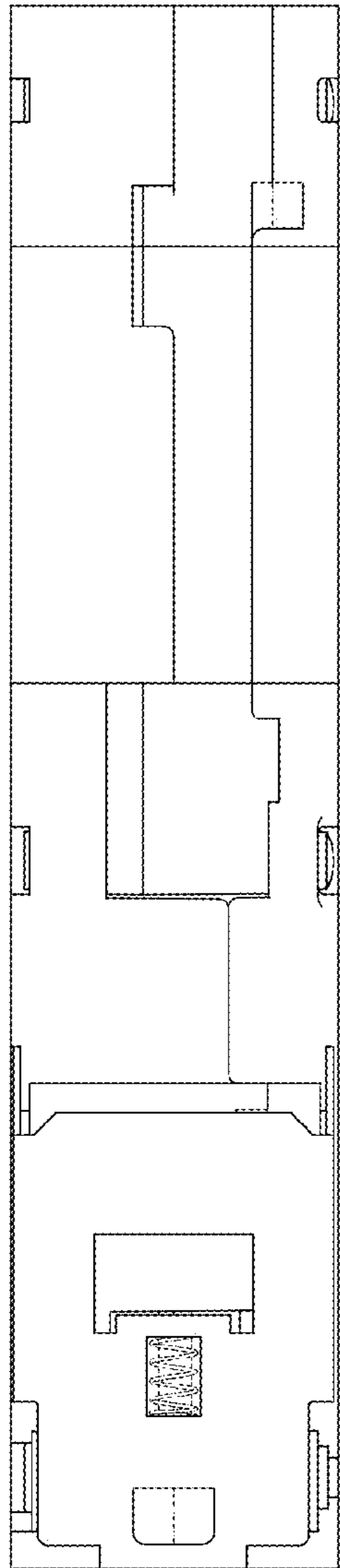
The broken line portion of the drawing figures is included to show unclaimed subject matter only and forms no part of the claimed design.

**1 Claim, 5 Drawing Sheets**

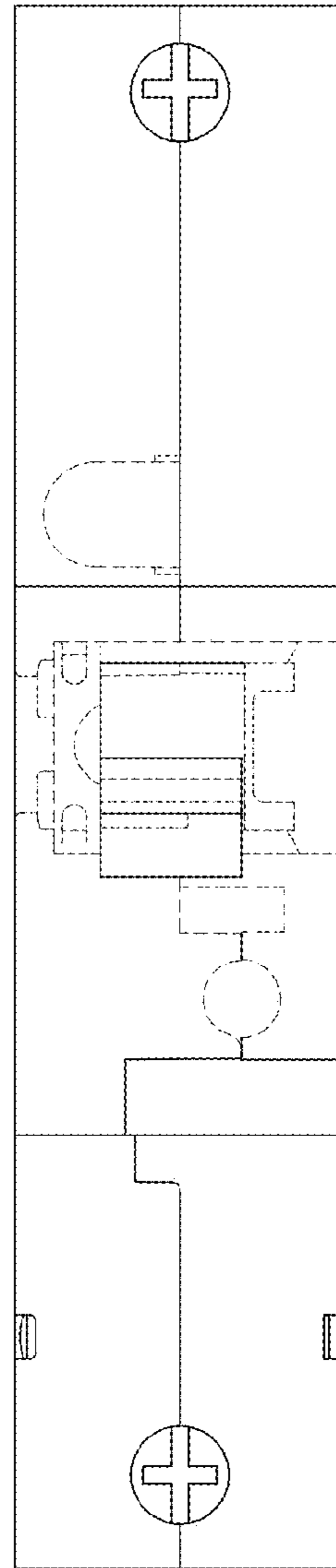




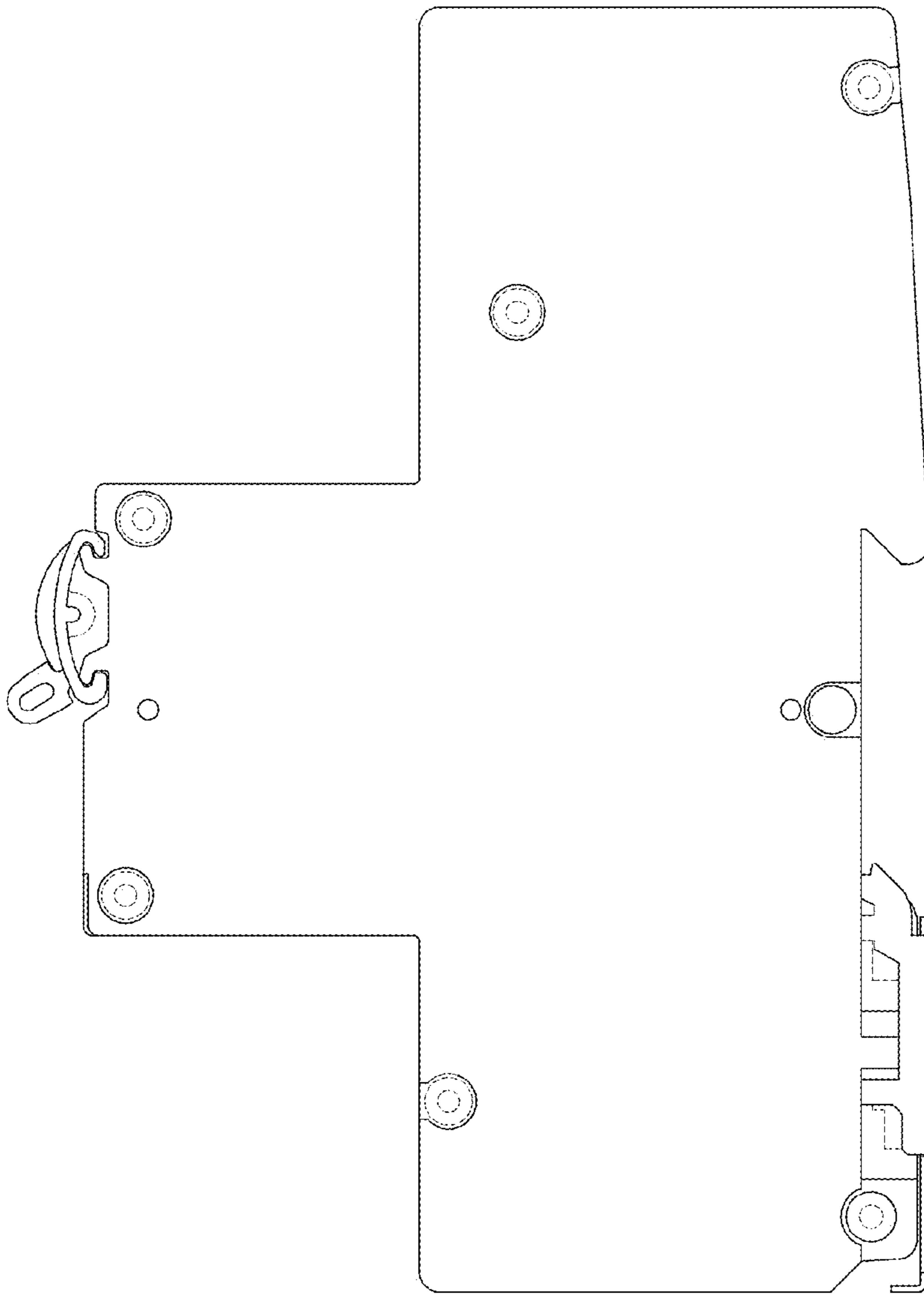
**FIG. 1**



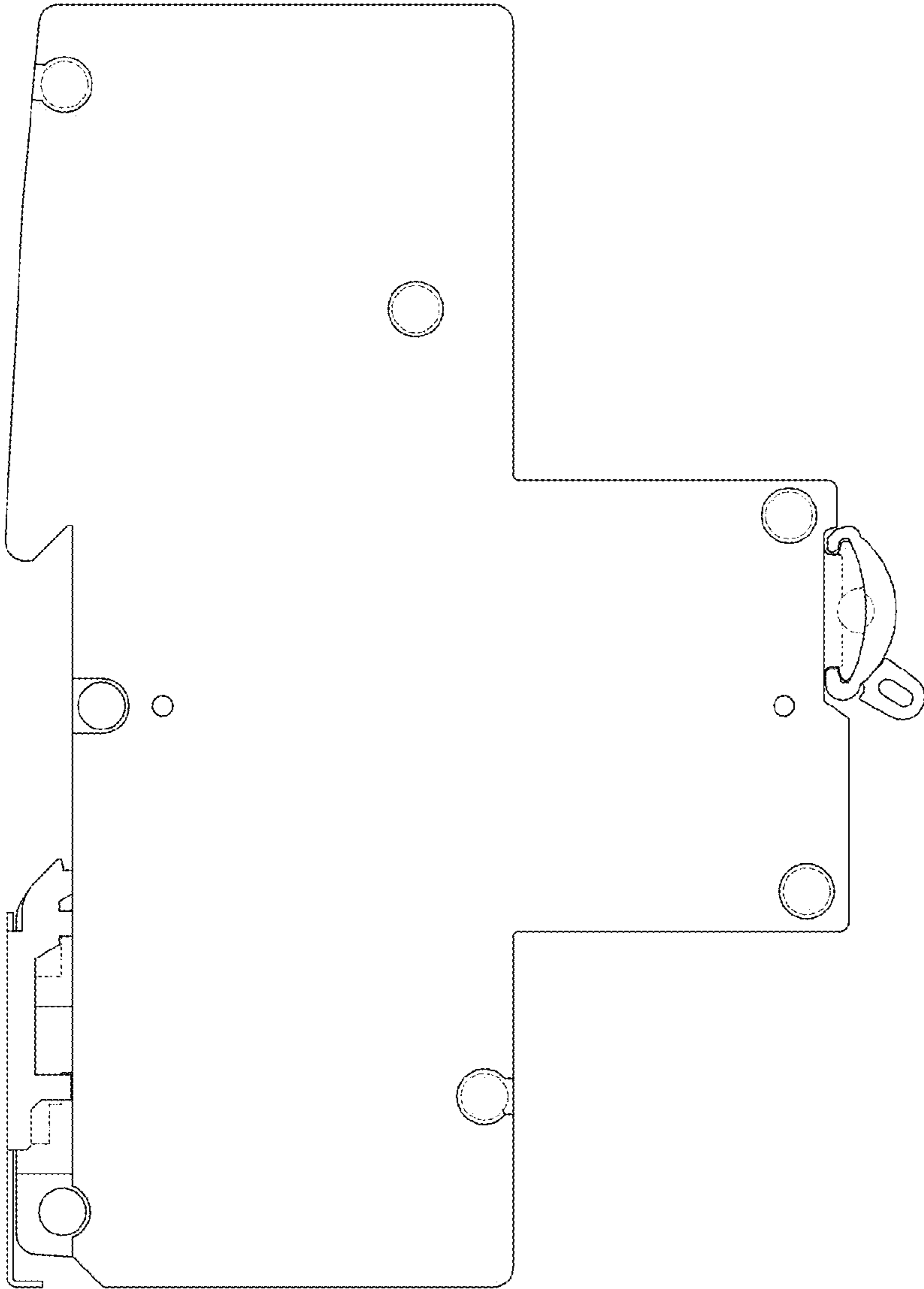
**FIG. 2**



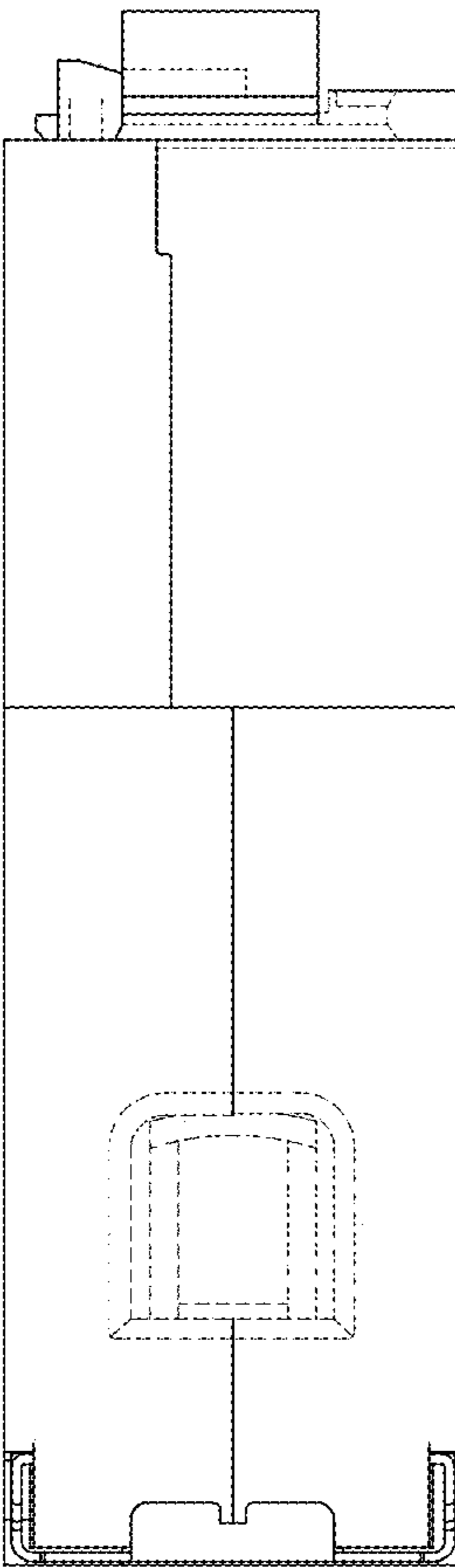
**FIG. 3**



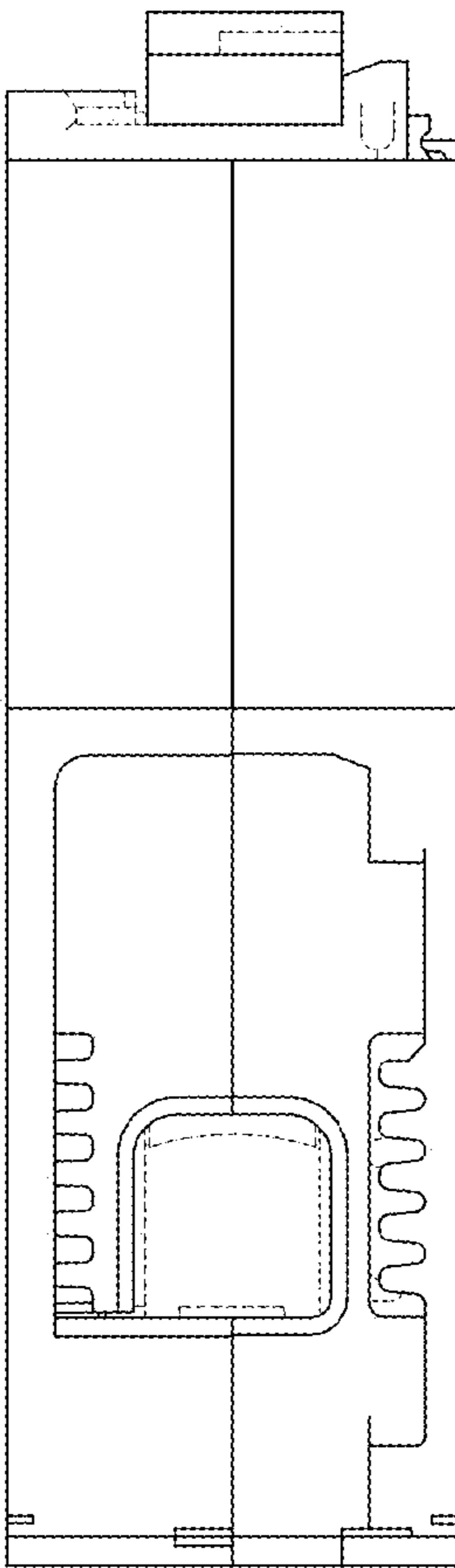
**FIG. 4**



**FIG. 5**



**FIG. 6**



**FIG. 7**