



US00D706724S

(12) **United States Design Patent**
McCartin et al.

(10) **Patent No.:** **US D706,724 S**
(45) **Date of Patent:** **** Jun. 10, 2014**

(54) **CONNECTOR**

(71) Applicant: **Samtec, Inc.**, New Albany, IN (US)

(72) Inventors: **Douglas Edward McCartin**, Henryville, IN (US); **James Edward Borgelt**, Jeffersonville, IN (US); **Dale Francis Schmelz**, Depauw, IN (US); **Joseph Travis Newton**, Shelbyville, KY (US); **Chunhsien Hsu**, Taipei (TW)

(73) Assignee: **Samtec, Inc.**, New Albany, IN (US)

(**) Term: **14 Years**

(21) Appl. No.: **29/479,009**

(22) Filed: **Jan. 10, 2014**

(51) **LOC (10) Cl.** **13-03**

(52) **U.S. Cl.**
USPC **D13/147**

(58) **Field of Classification Search**
USPC D13/147, 154, 184, 199; 439/79, 108, 439/135, 180, 246, 278, 291, 328, 344, 350, 439/353, 357, 358, 374, 378, 381, 391, 489, 439/509, 527, 529, 530, 533, 587, 594, 598, 439/607.01, 607.04, 607.05, 607.17, 439/607.25, 607.34, 607.41, 607.53, 626, 439/629, 637, 656, 660, 668, 676, 680, 711, 439/745, 752, 892, 894

See application file for complete search history.

(56) **References Cited**

U.S. PATENT DOCUMENTS

5,183,405	A	*	2/1993	Elicker et al.	439/108
D340,912	S	*	11/1993	Miller	D13/154
D366,241	S	*	1/1996	Eaton	D13/147
D409,574	S	*	5/1999	Shimojo et al.	D13/147
D439,884	S	*	4/2001	Ushio	D13/147
D463,375	S	*	9/2002	Nakayama	D13/147
D464,321	S	*	10/2002	Chen	D13/147
D516,518	S	*	3/2006	Meister	D13/147
D697,487	S	*	1/2014	Grant et al.	D13/147

* cited by examiner

Primary Examiner — Daniel Bui

(74) *Attorney, Agent, or Firm* — Keating & Bennett, LLP

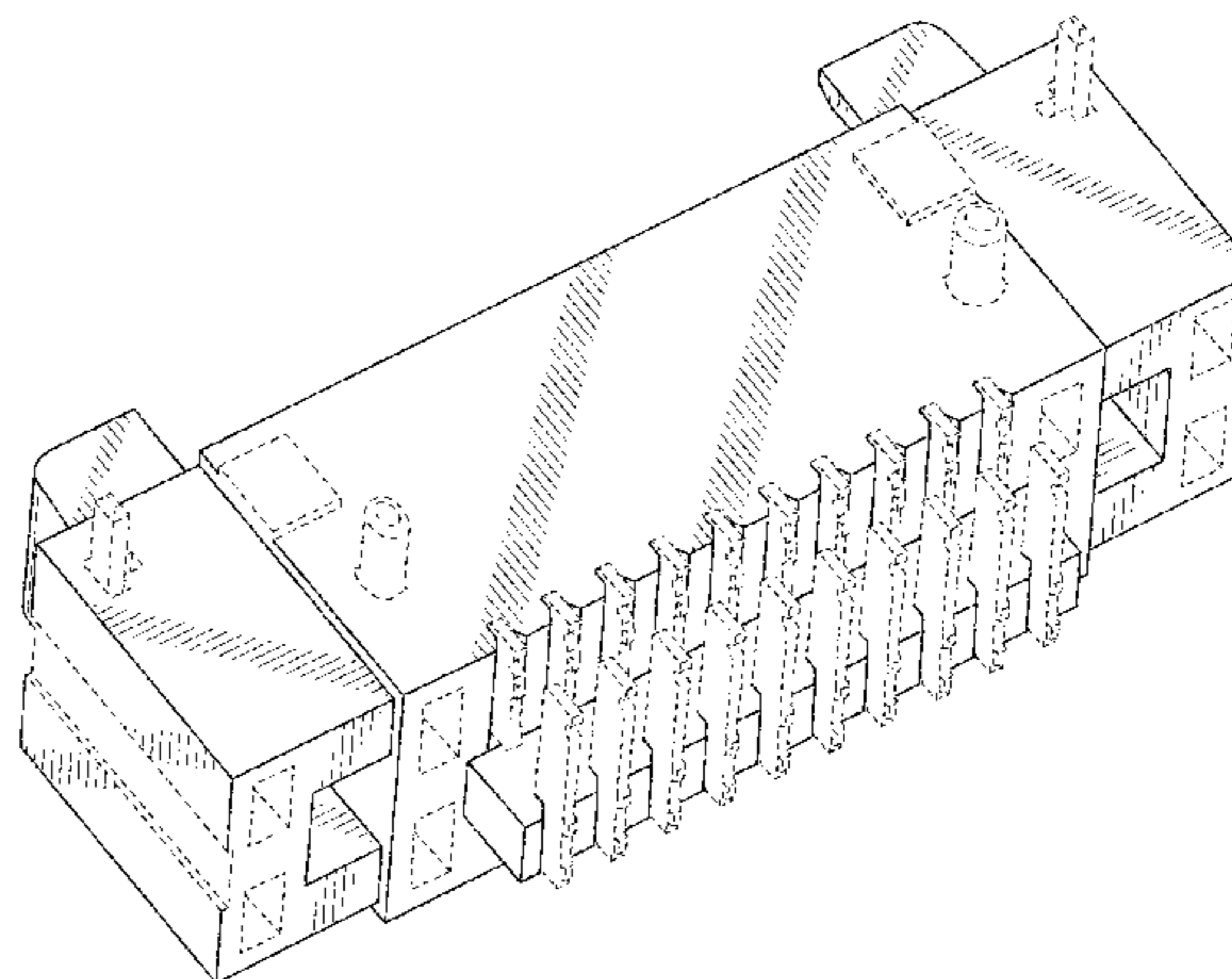
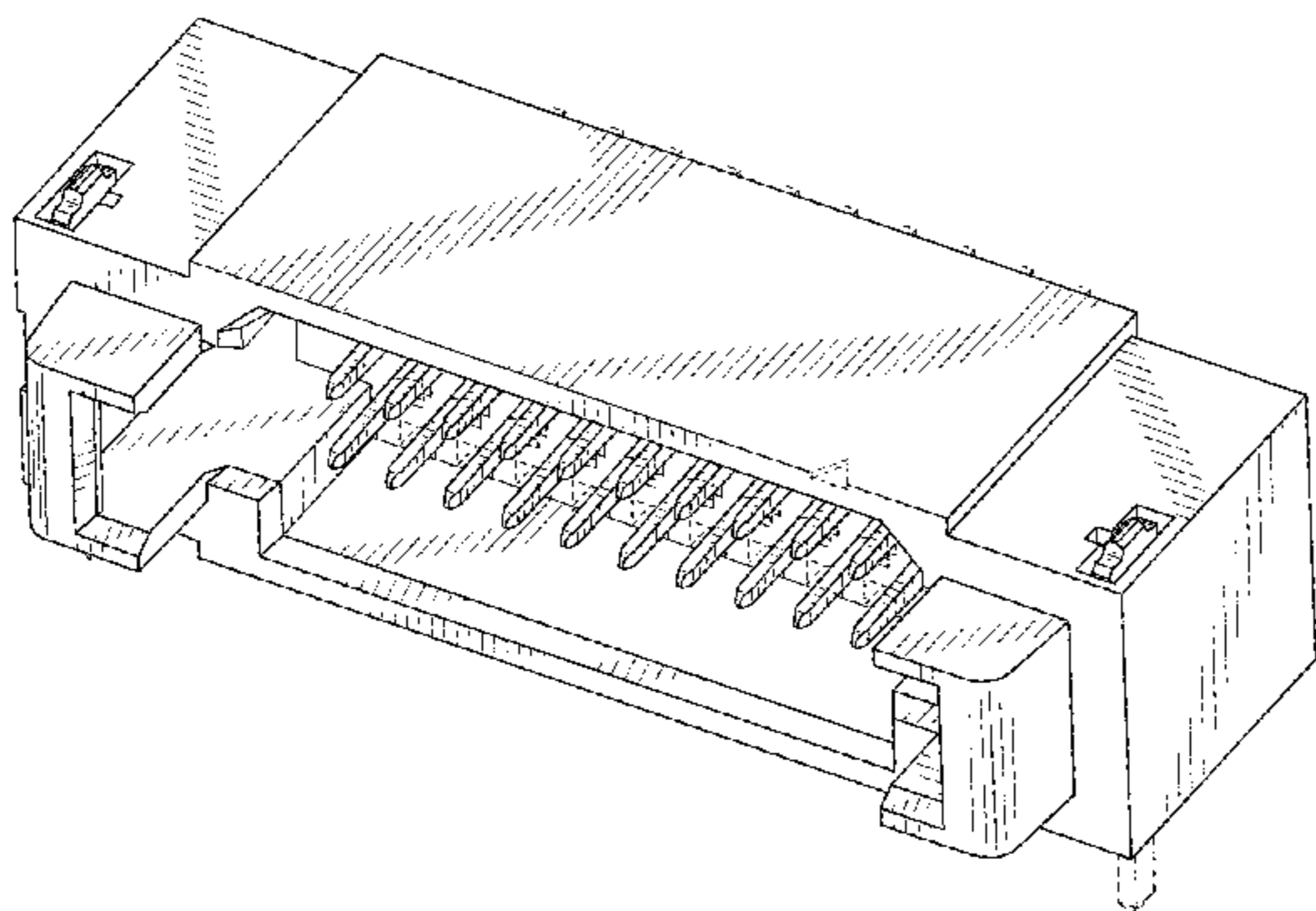
(57) **CLAIM**

The ornamental design for a connector, as shown and described.

DESCRIPTION

FIG. 1 is a top, front, and right perspective view of a connector showing our new design;
FIG. 2 is a bottom, back, and left perspective view thereof;
FIG. 3 is another top, front, and left perspective view of thereof;
FIG. 4 is a front view thereof;
FIG. 5 is a back view thereof;
FIG. 6 is a right view thereof;
FIG. 7 is a left view thereof;
FIG. 8 is a top view thereof; and,
FIG. 9 is a bottom view thereof.
Broken lines in the drawing views are included to show unclaimed subject matter only and form no part of the claimed design.

1 Claim, 5 Drawing Sheets



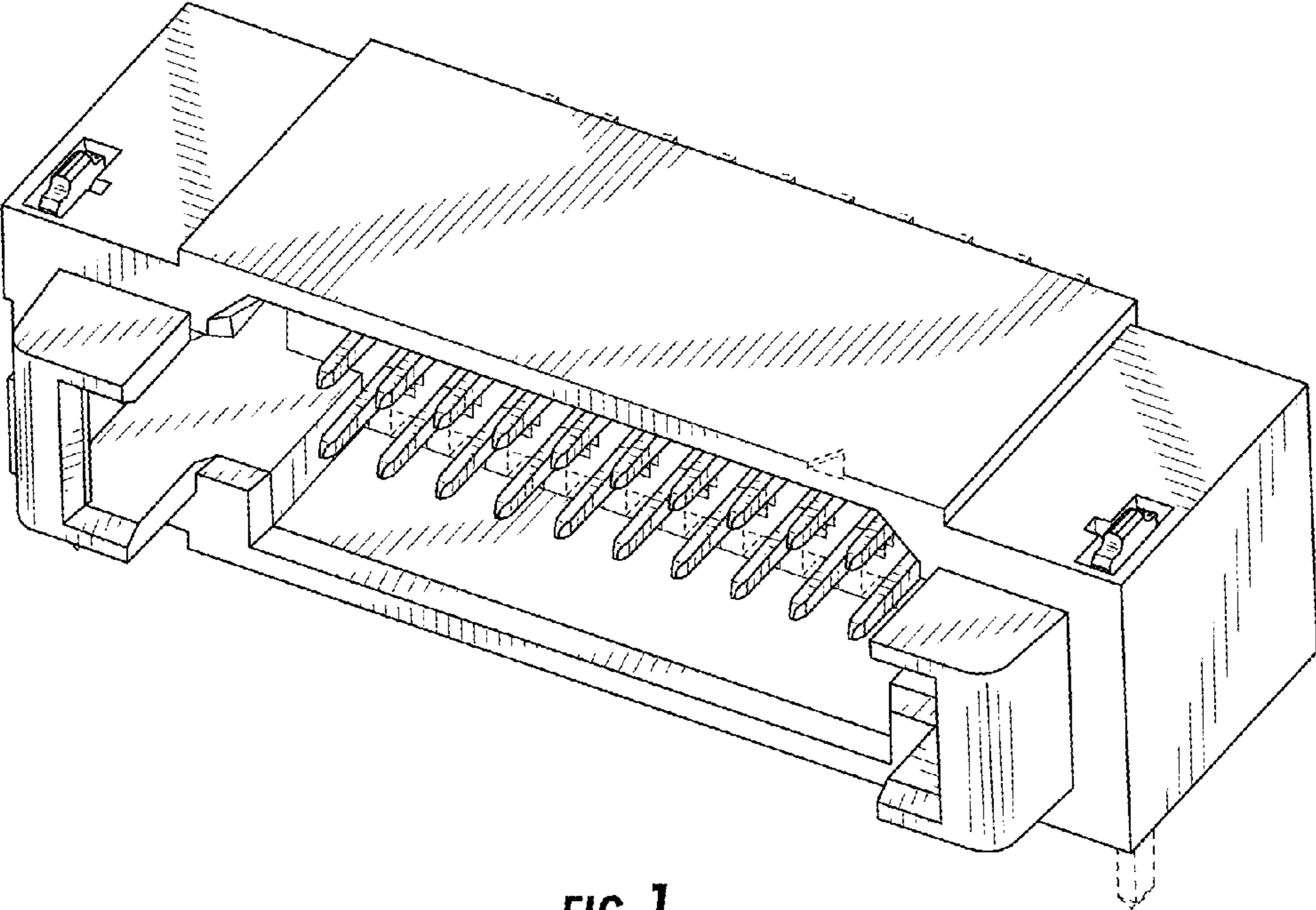


FIG. 1

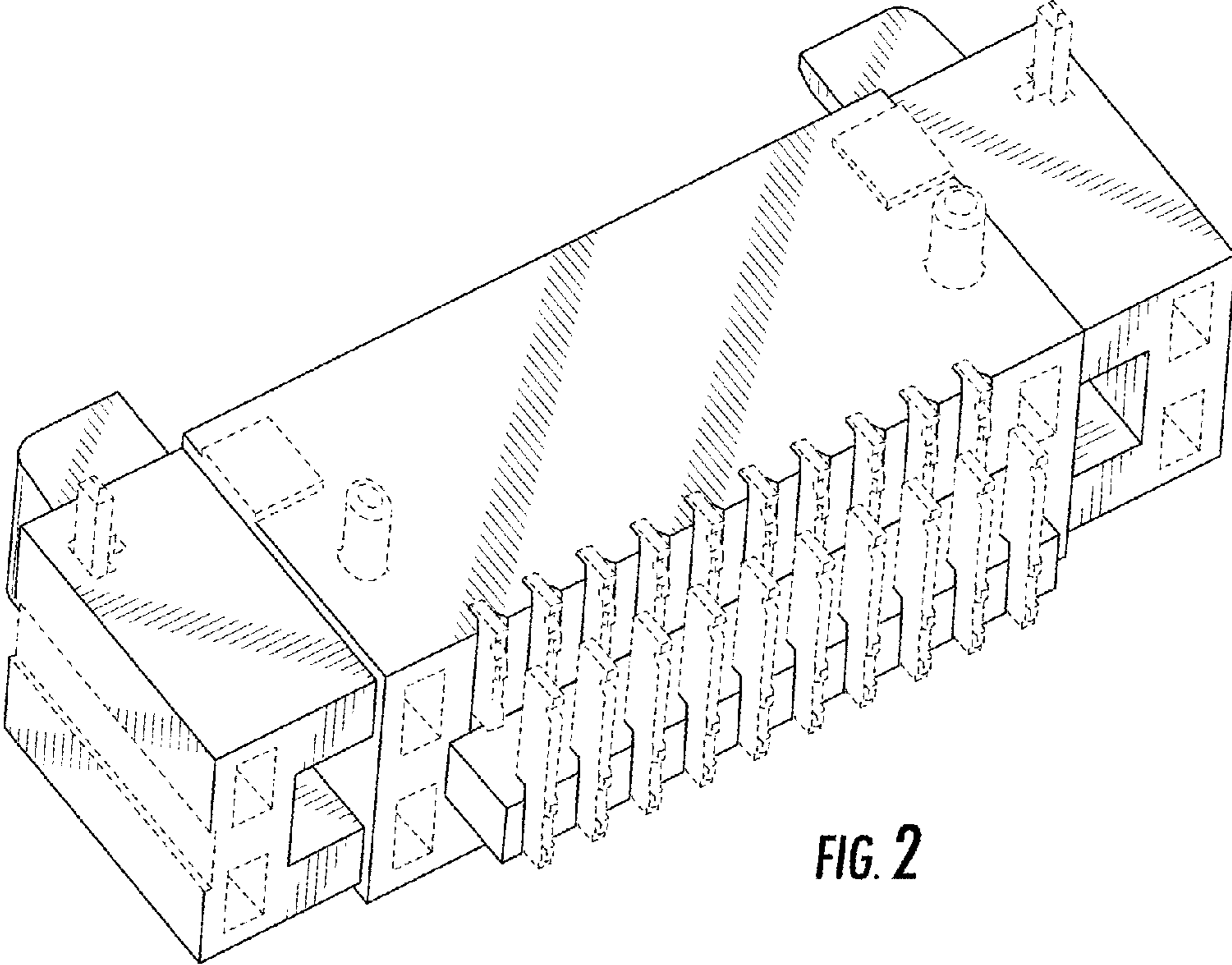


FIG. 2

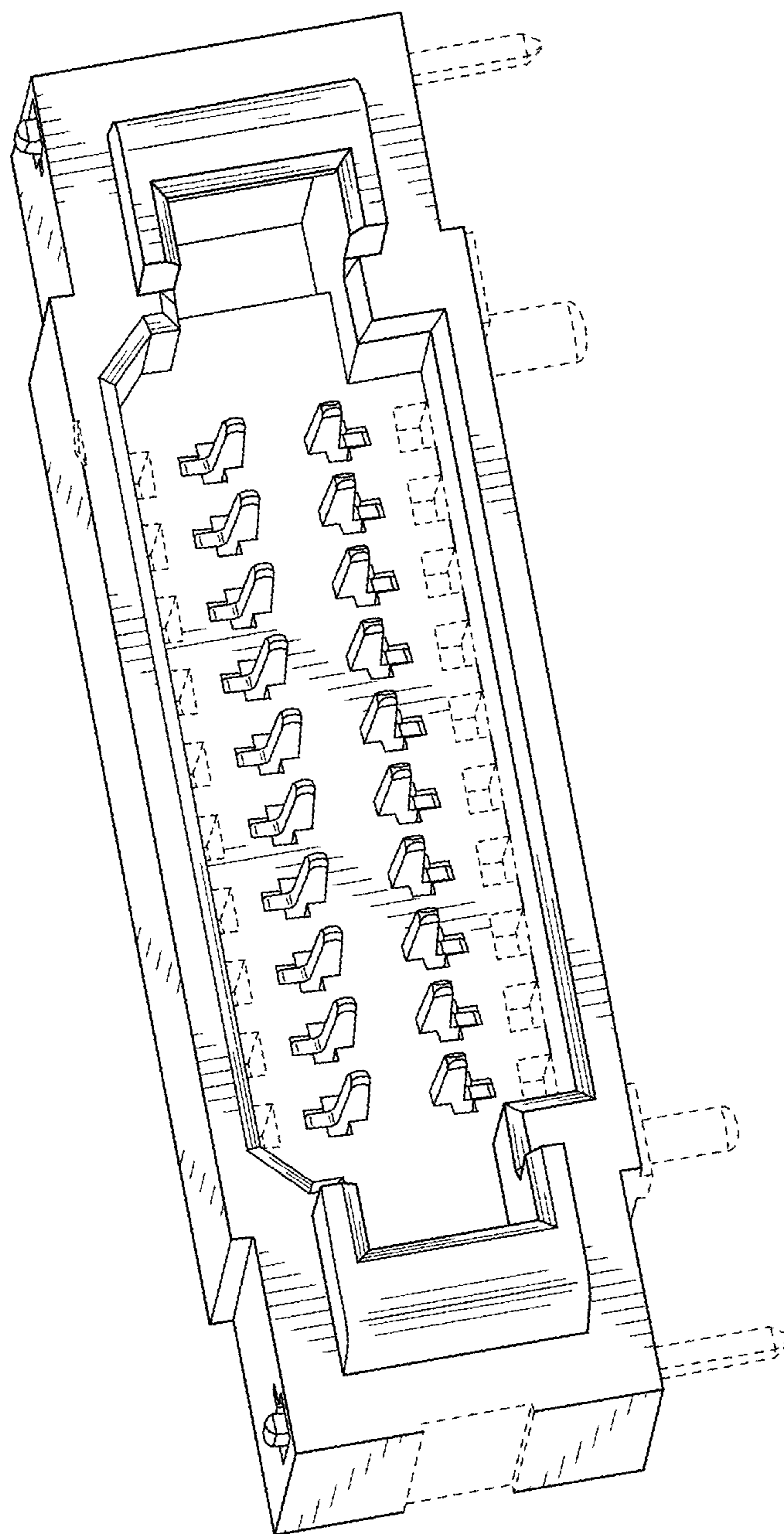


FIG. 3

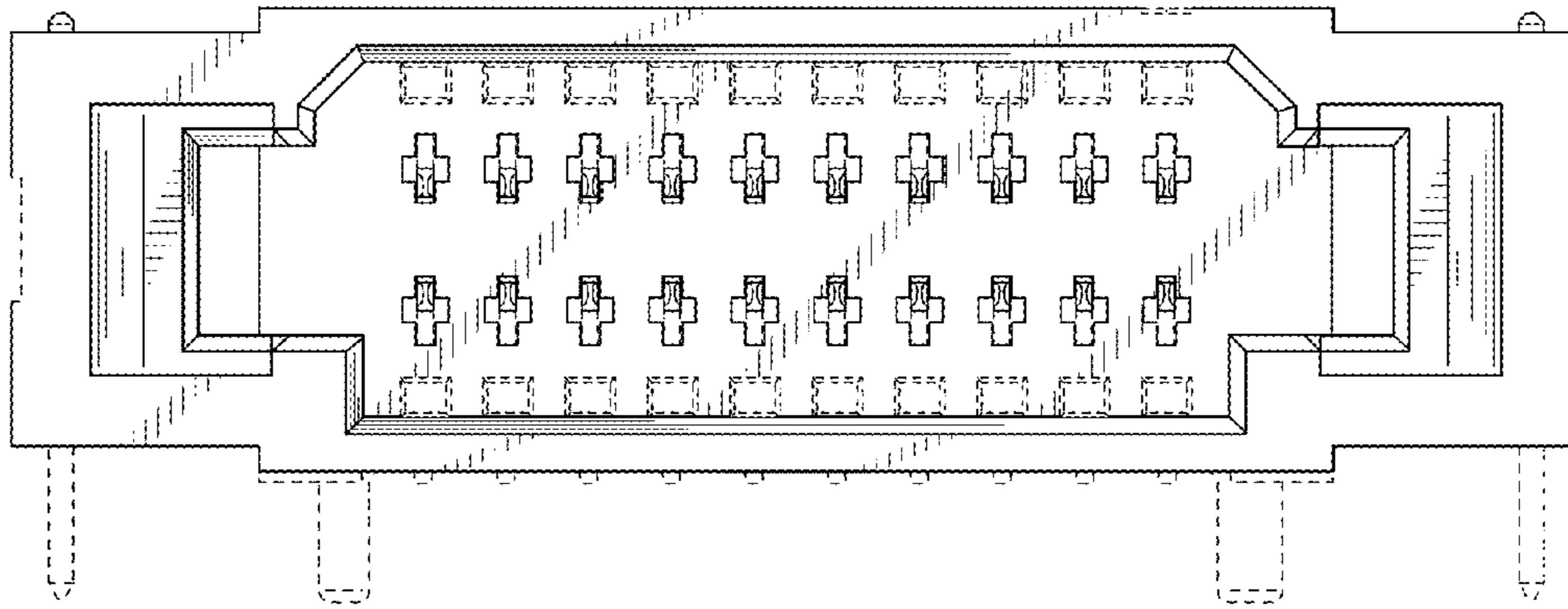


FIG. 4

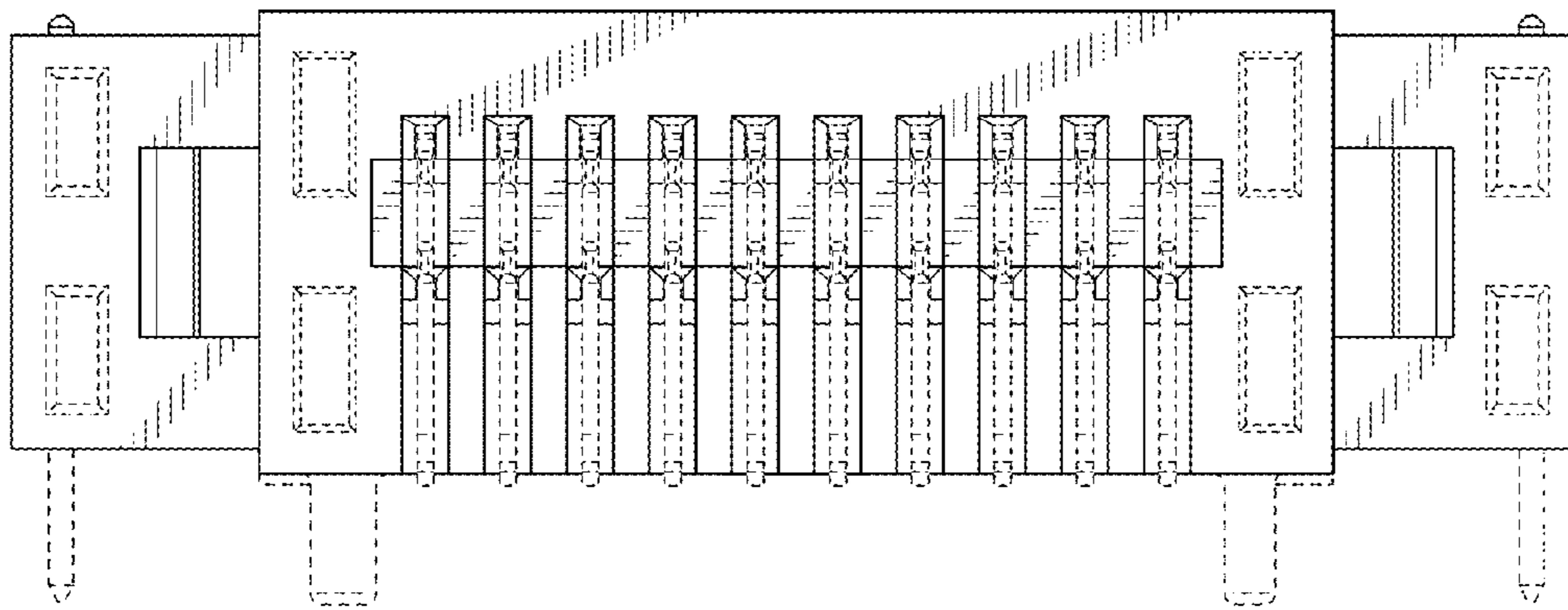


FIG. 5

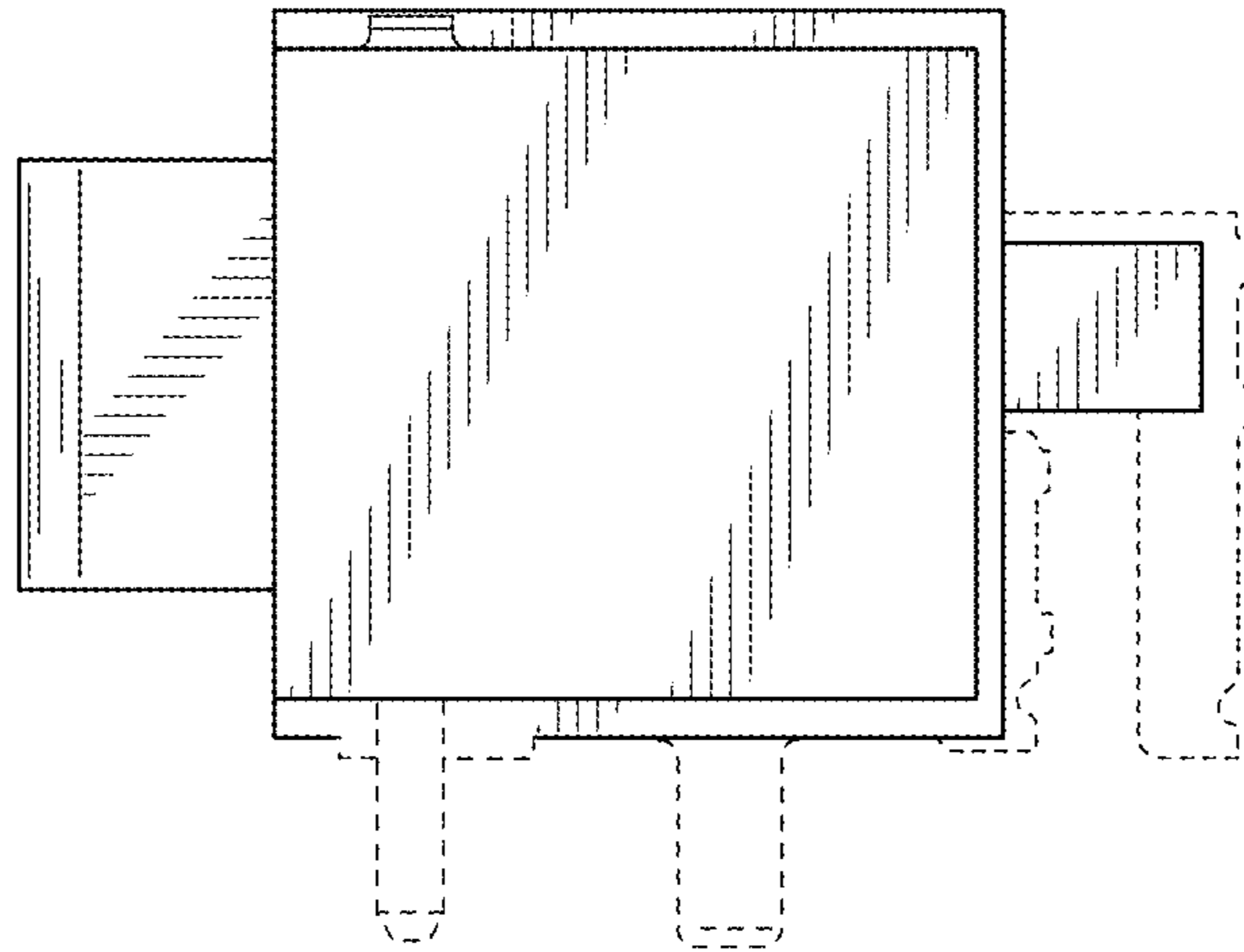


FIG. 6

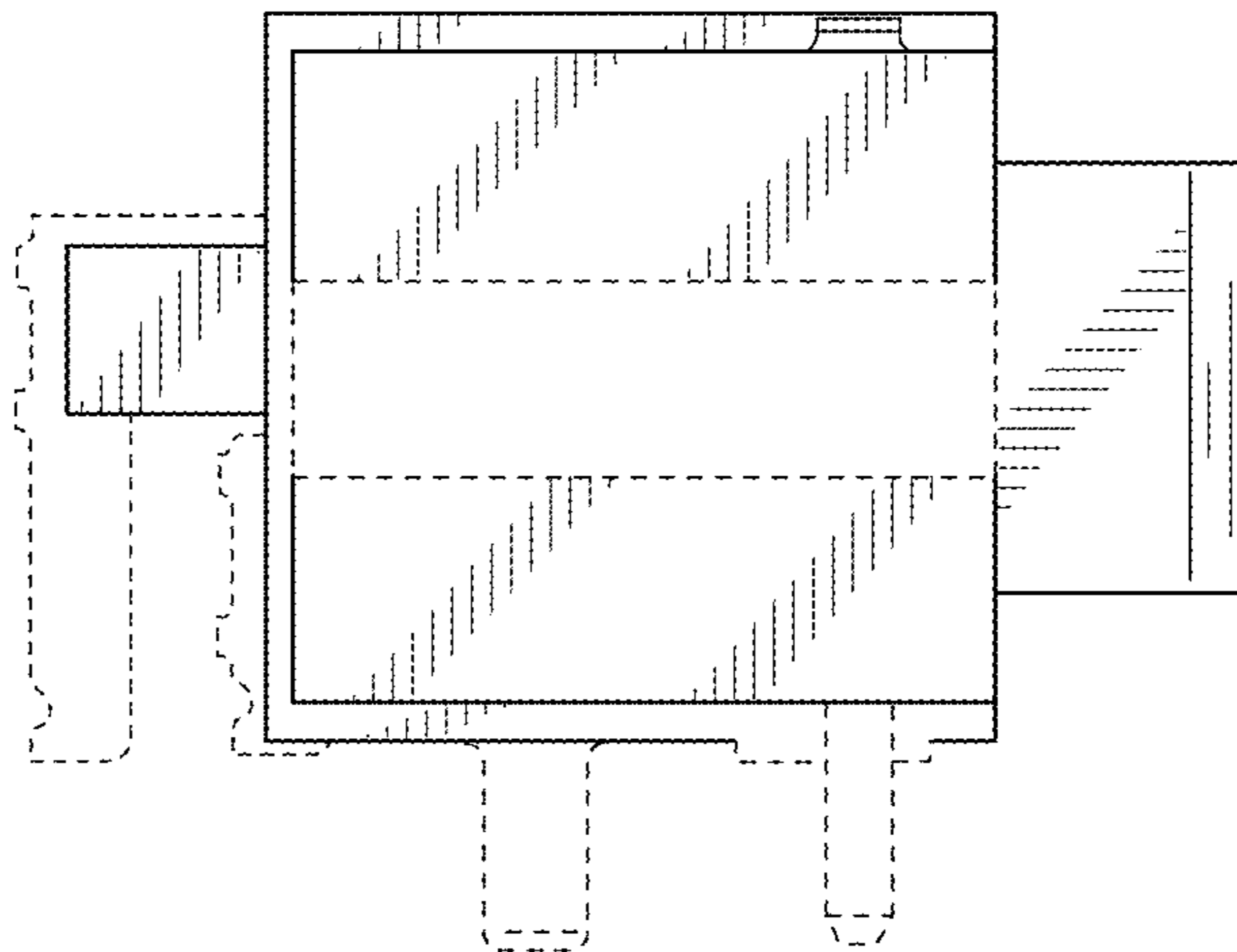


FIG. 7

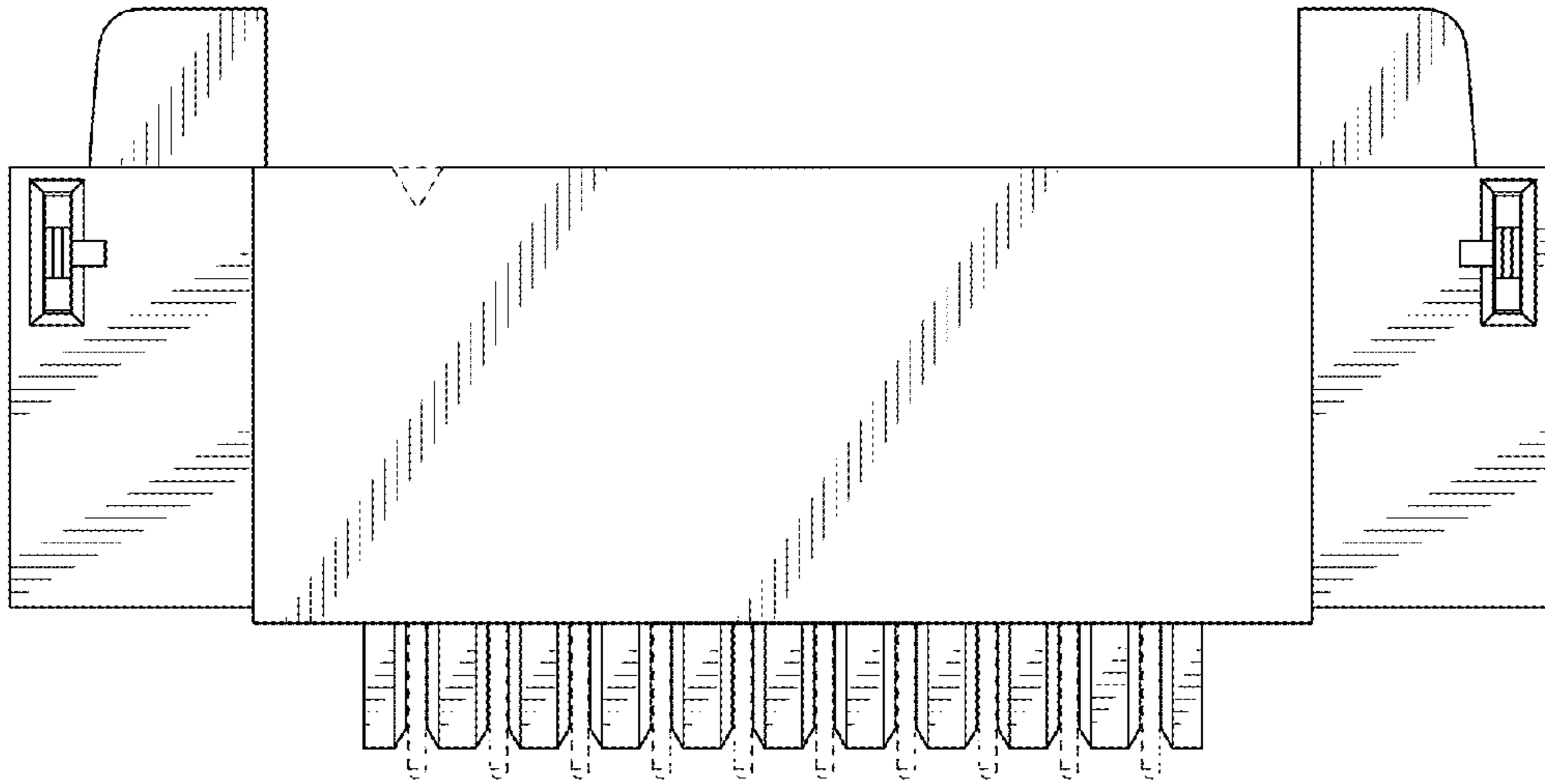


FIG. 8

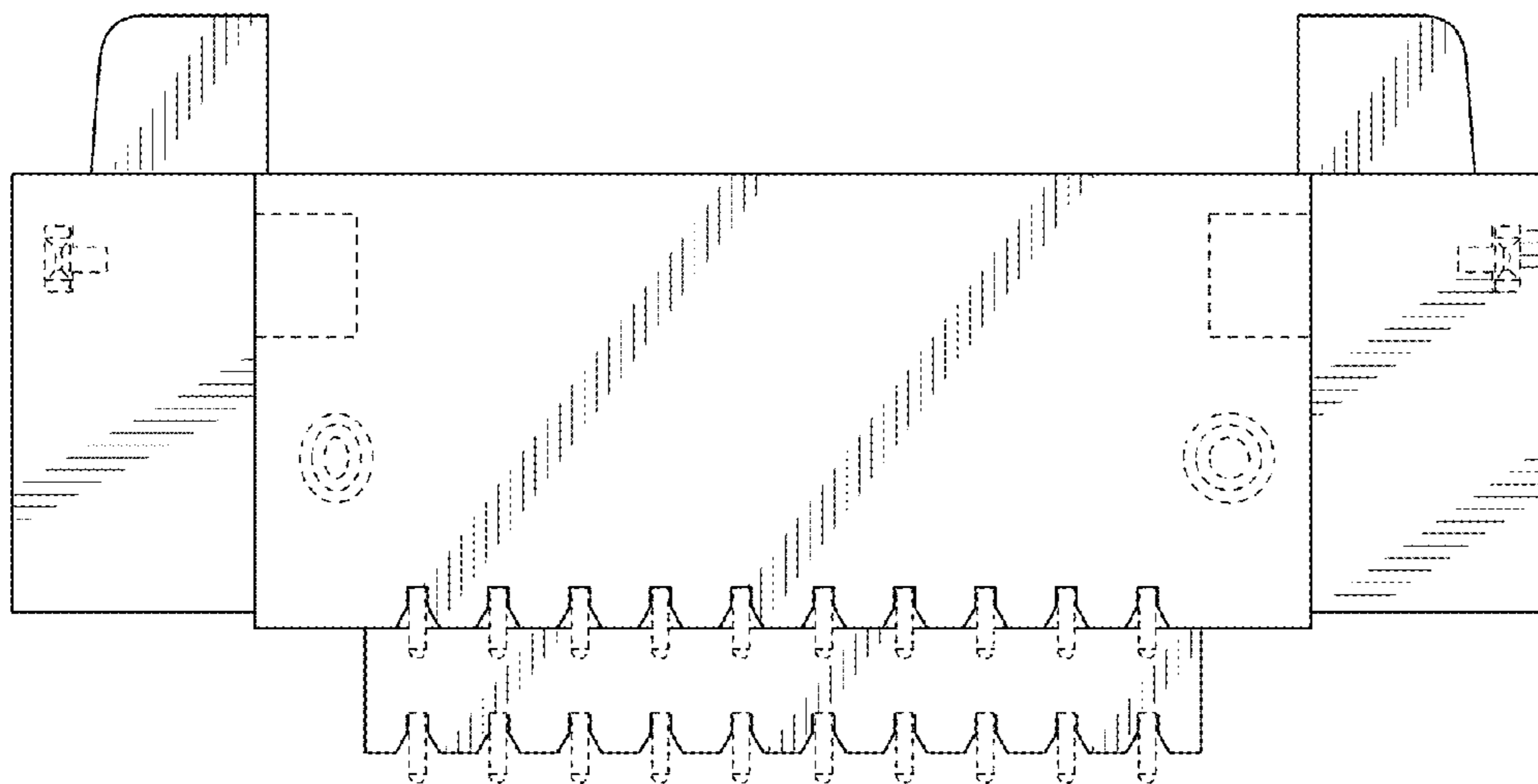


FIG. 9