



US00D706722S

(12) **United States Design Patent**  
**Yokoyama**

(10) **Patent No.:** **US D706,722 S**  
(45) **Date of Patent:** **\*\* Jun. 10, 2014**

(54) **ELECTRICAL CONNECTOR**

(71) Applicant: **Japan Aviation Electronics Industry, Limited**, Tokyo (JP)

(72) Inventor: **Yohei Yokoyama**, Tokyo (JP)

(73) Assignee: **Japan Aviation Electronics Industry, Limited**, Tokyo (JP)

(\*\*) Term: **14 Years**

(21) Appl. No.: **29/471,863**

(22) Filed: **Nov. 6, 2013**

(30) **Foreign Application Priority Data**

May 20, 2013 (JP) ..... 2013-011031

(51) **LOC (10) CL.** ..... **13-03**

(52) **U.S. CL.**  
USPC ..... **D13/147**

(58) **Field of Classification Search**  
USPC ..... D13/147, 154, 184, 199; 439/79, 108, 439/135, 180, 246, 278, 291, 328, 344, 350, 439/353, 357, 358, 374, 378, 381, 391, 489, 439/509, 527, 529, 530, 533, 587, 594, 598, 439/607.01, 607.04, 607.05, 607.17, 439/607.25, 607.34, 607.41, 607.53, 626, 439/629, 637, 656, 660, 668, 676, 680, 711, 439/745, 752, 892, 894

See application file for complete search history.

(56) **References Cited**

**U.S. PATENT DOCUMENTS**

D556,690 S \* 12/2007 Ikegami ..... D13/147  
D583,766 S \* 12/2008 Chiang ..... D13/147

D585,029 S \* 1/2009 Ho ..... D13/147  
D592,146 S \* 5/2009 Chiang ..... D13/147  
D592,148 S \* 5/2009 Ho ..... D13/147  
D688,206 S 8/2013 Yokoyama  
D698,732 S \* 2/2014 Yokoyama ..... D13/147  
D698,733 S \* 2/2014 Yokoyama ..... D13/147  
D698,734 S \* 2/2014 Yokoyama ..... D13/147

\* cited by examiner

*Primary Examiner* — Daniel Bui

(74) *Attorney, Agent, or Firm* — Cermak Nakajima LLP; Tomoko Nakajima

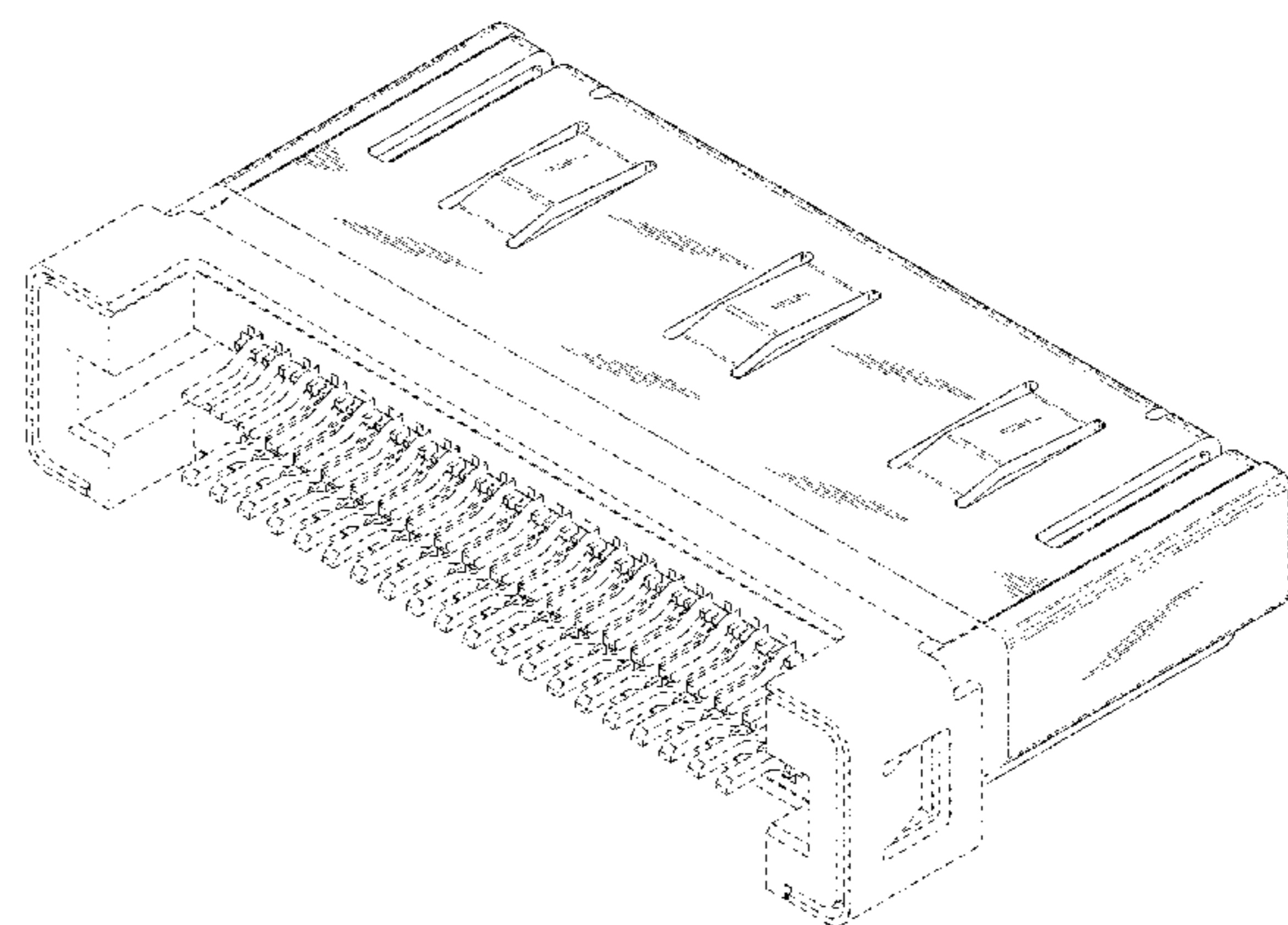
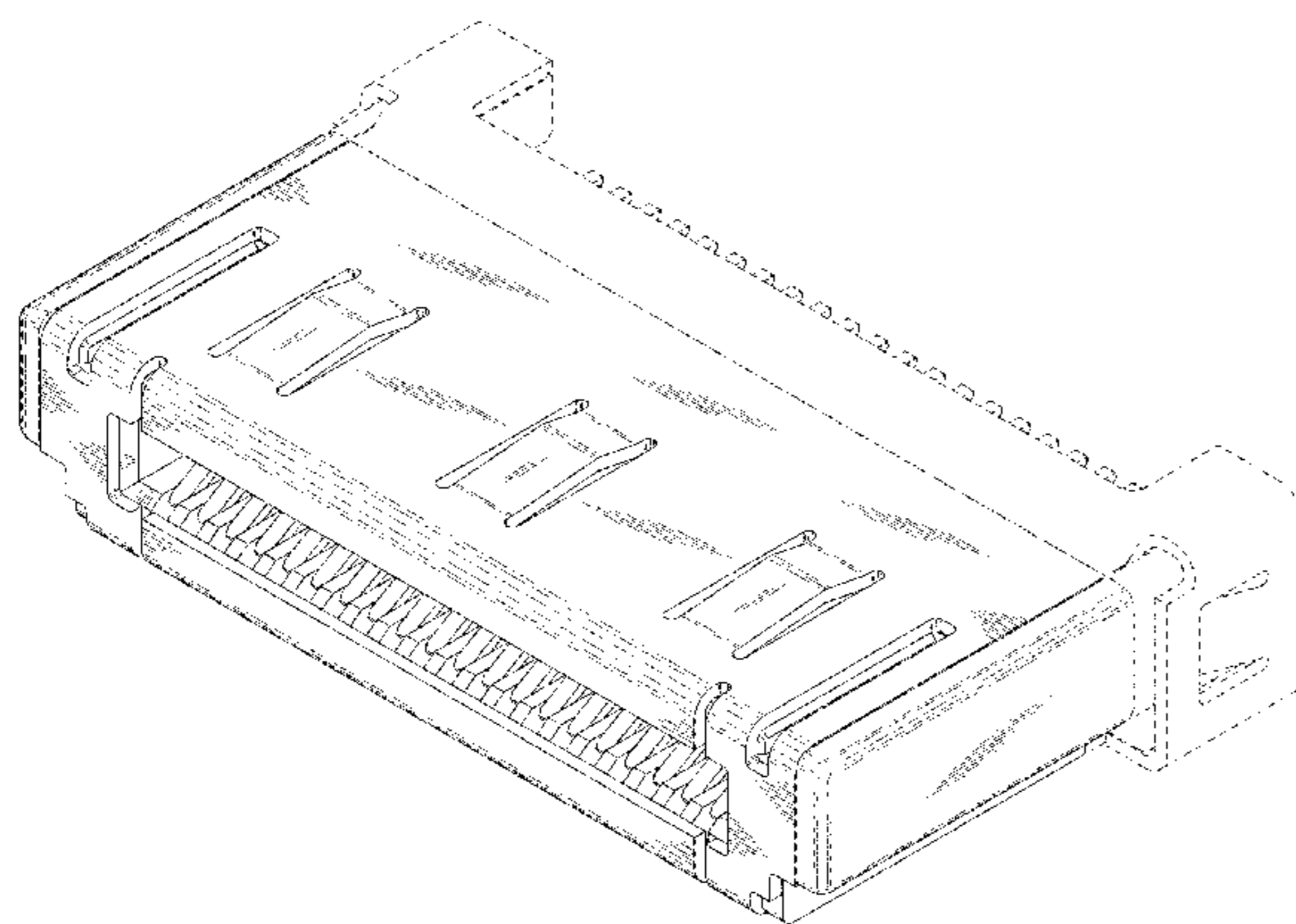
(57) **CLAIM**

The ornamental design for an electrical connector, as shown and described.

**DESCRIPTION**

FIG. 1 is a front elevational view of an electrical connector showing my new design; FIG. 2 is a top plan view thereof; FIG. 3 is a right side elevational view thereof; FIG. 4 is a left side elevational view thereof; FIG. 5 is a rear elevational view thereof; and FIG. 6 is a bottom plan view thereof. FIG. 7 is a front and top perspective view thereof; FIG. 8 is a rear and top perspective view thereof; FIG. 9 is a front and bottom perspective view thereof; and FIG. 10 is a rear and bottom perspective view thereof. The broken line in the figure drawings is included for the purpose of illustrating environment and forms no part of the claimed design. The dash-dot line represents the boundary of the claimed design.

**1 Claim, 10 Drawing Sheets**



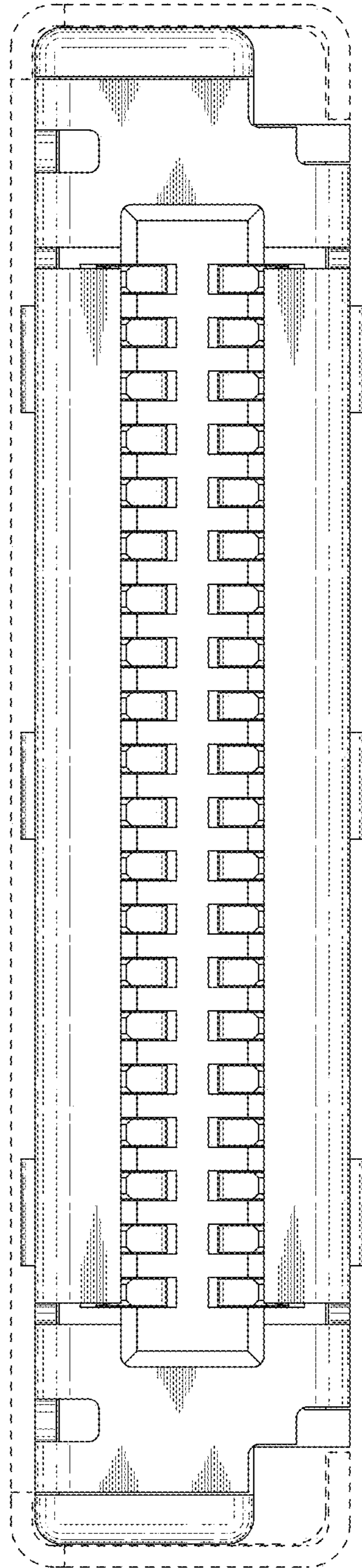


FIG.1

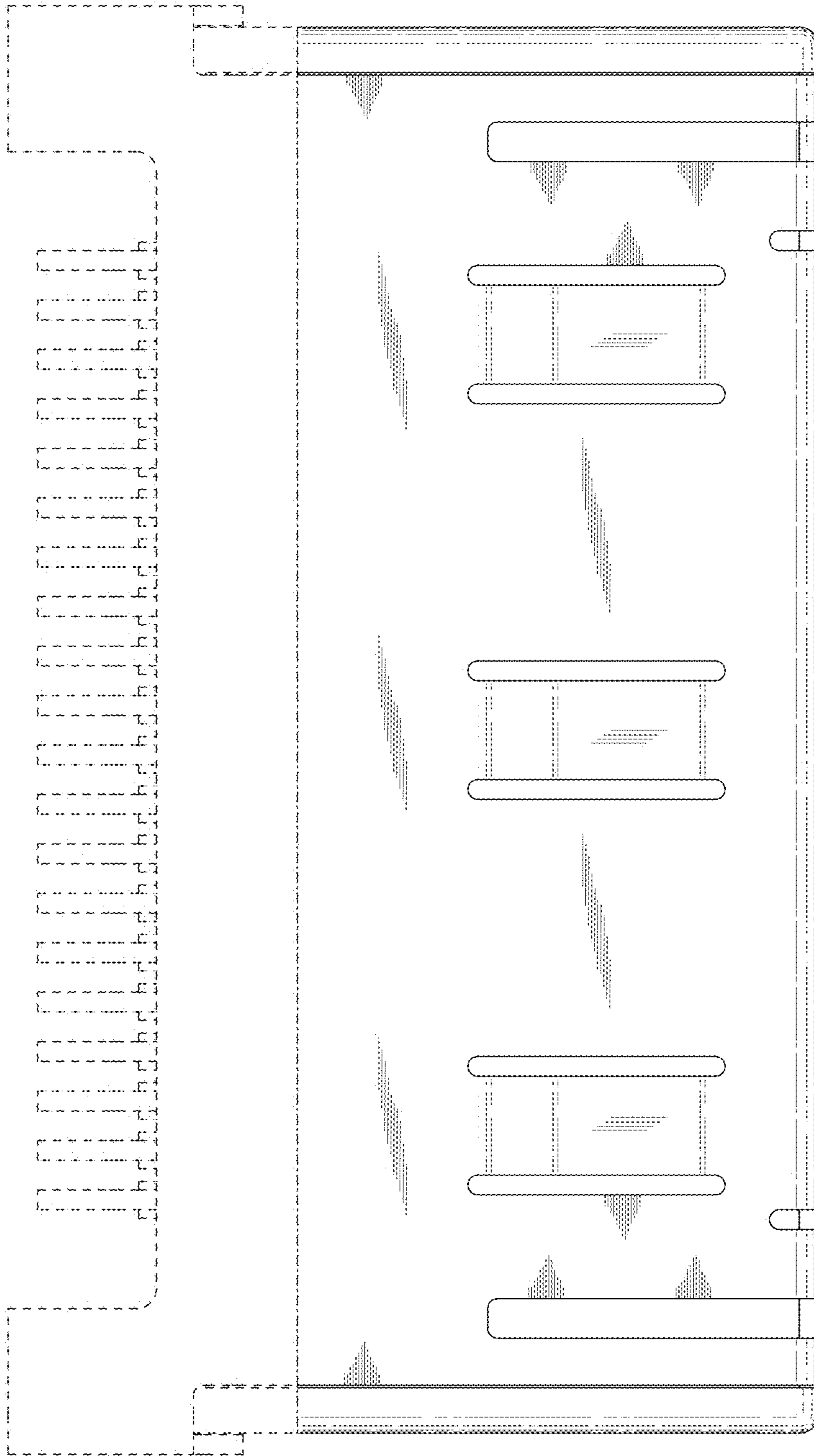


FIG.2

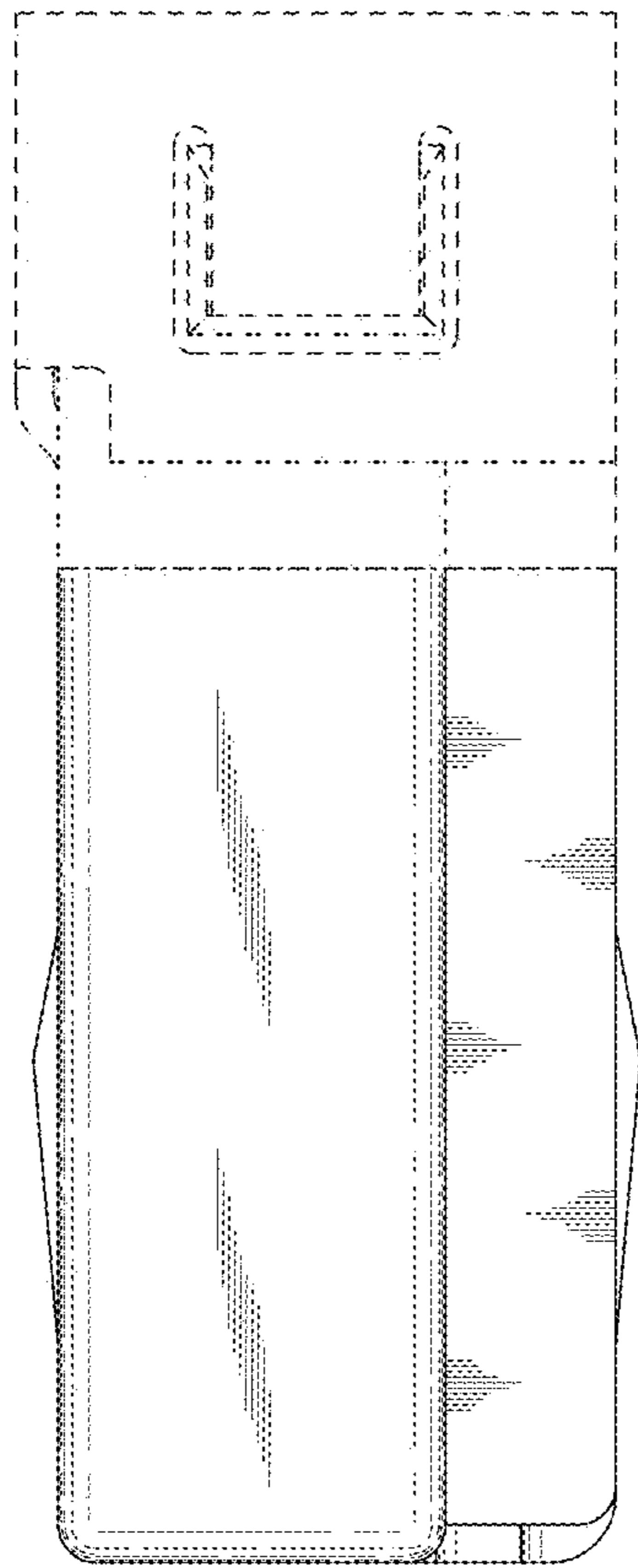


FIG.3

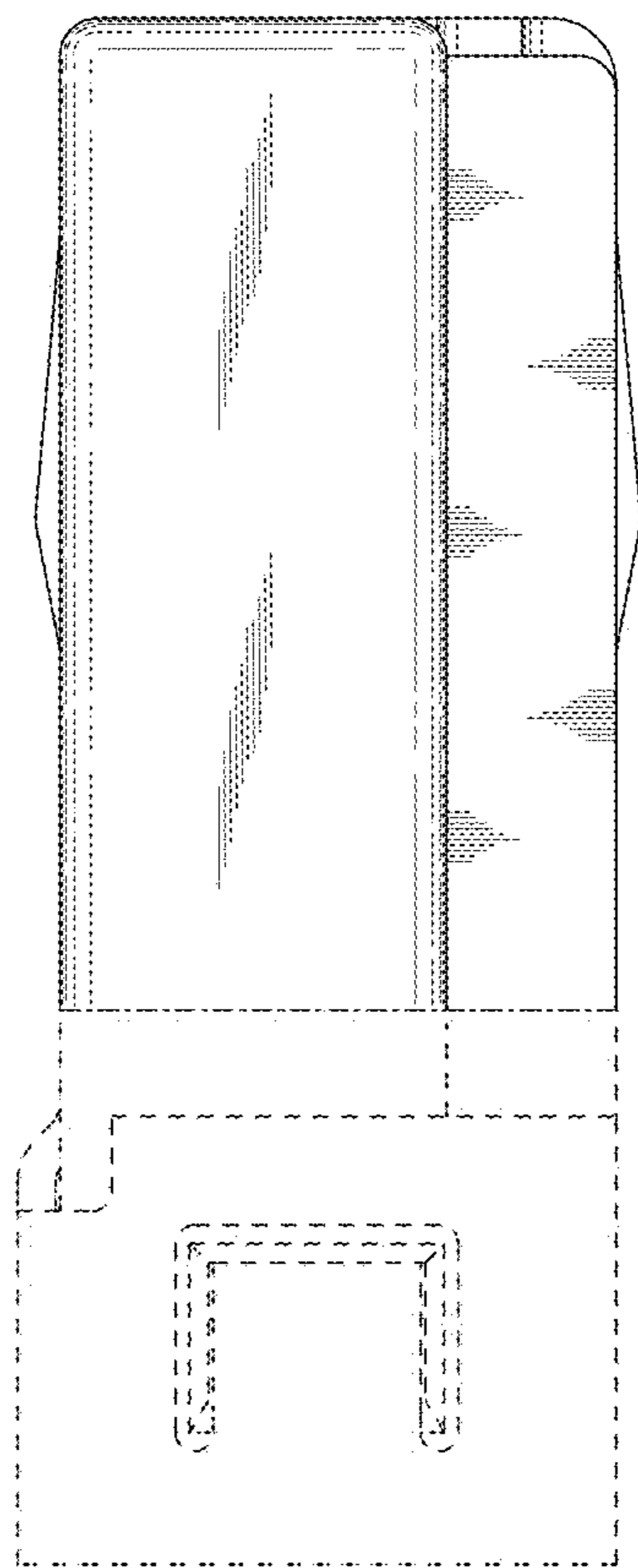


FIG.4



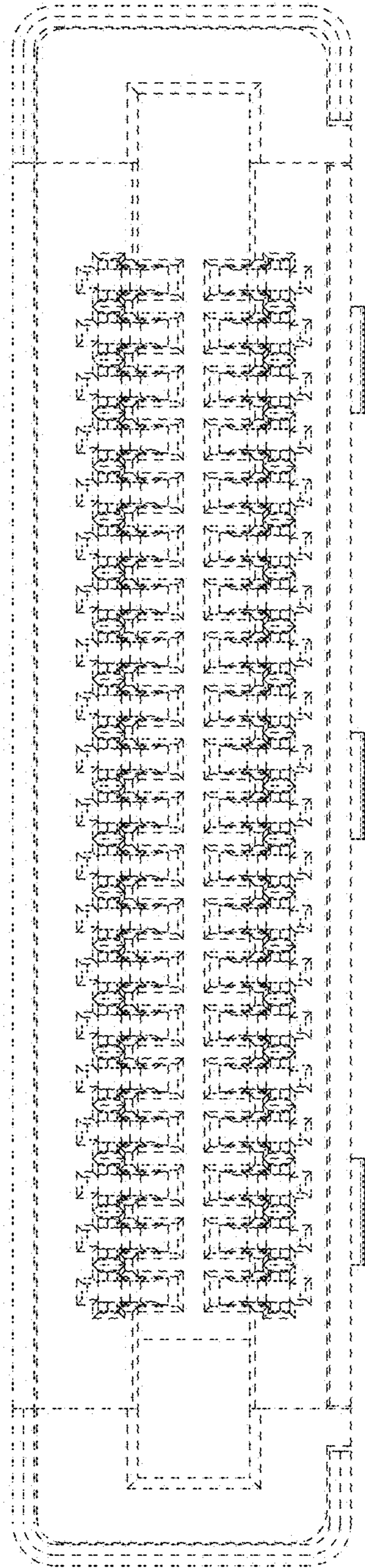


FIG. 5

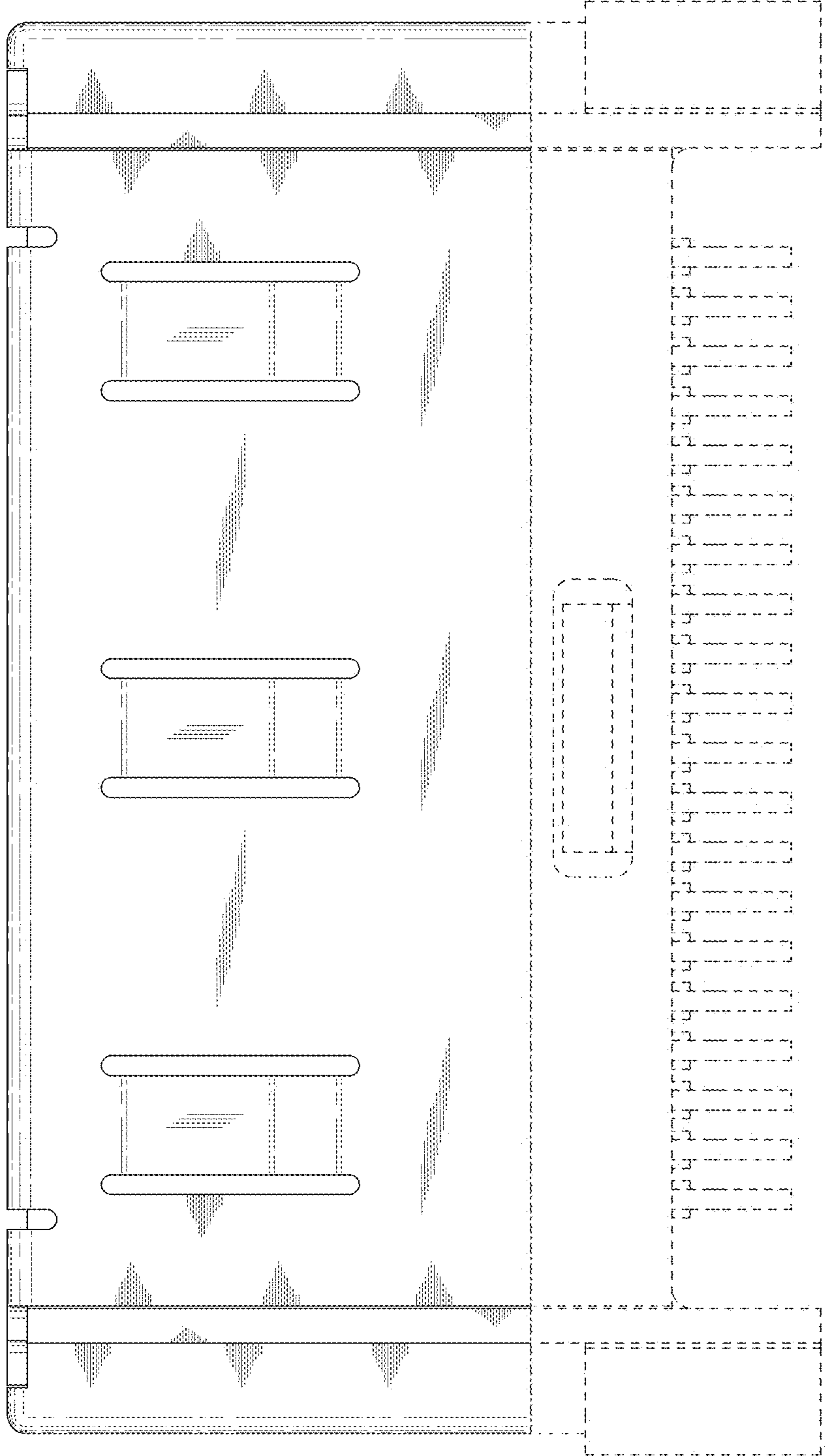


FIG.6

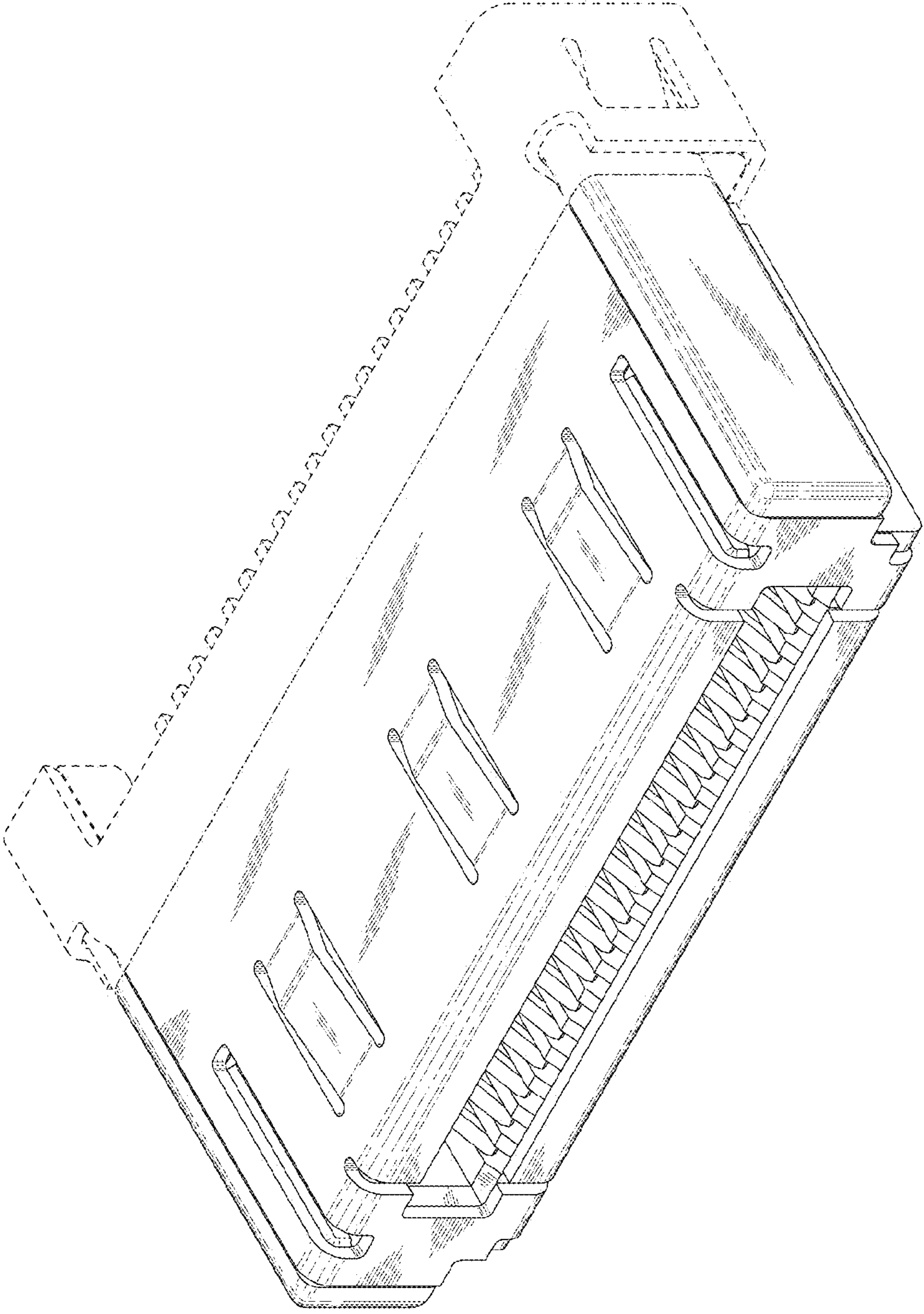


FIG.7



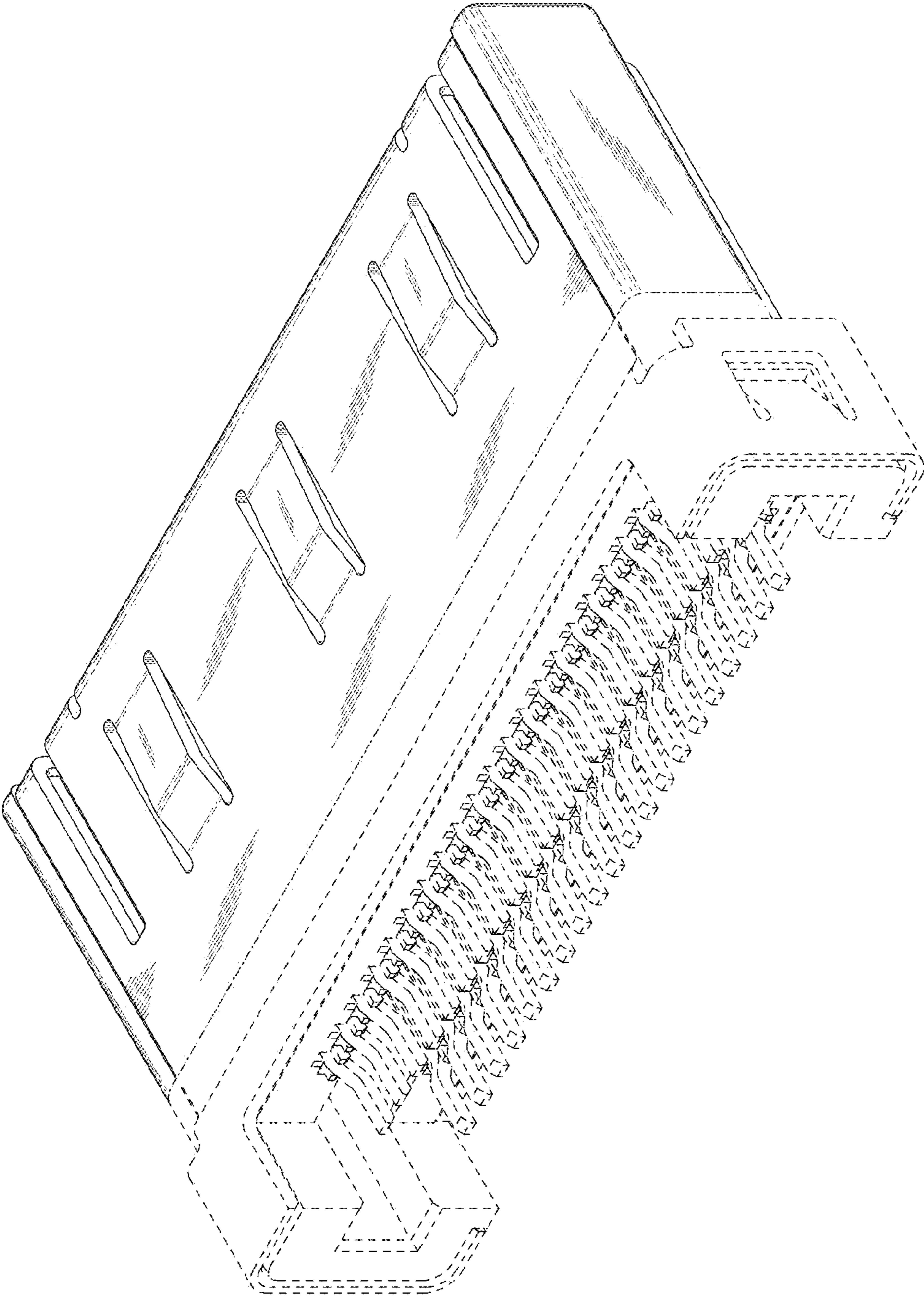


FIG.8

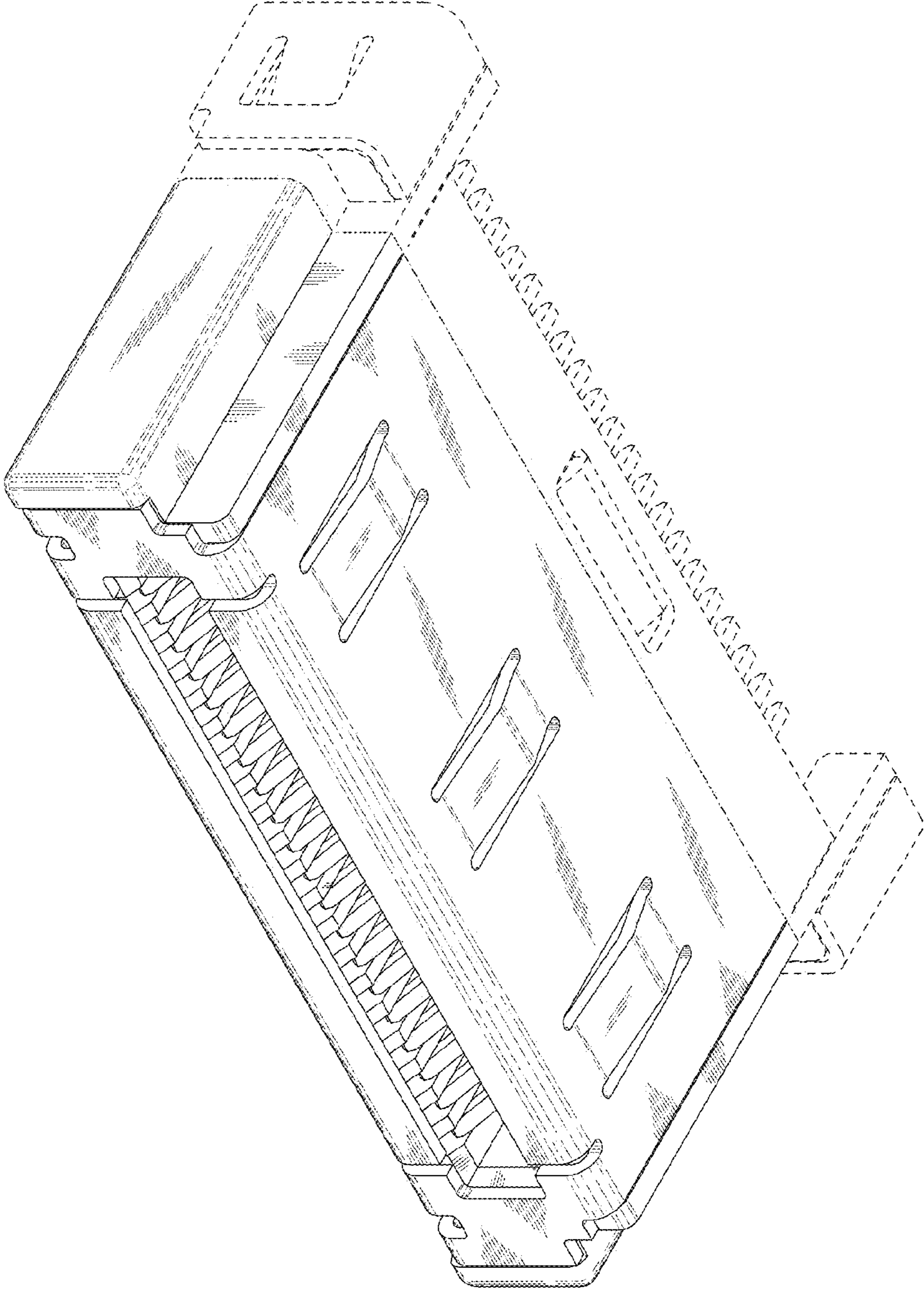


FIG.9

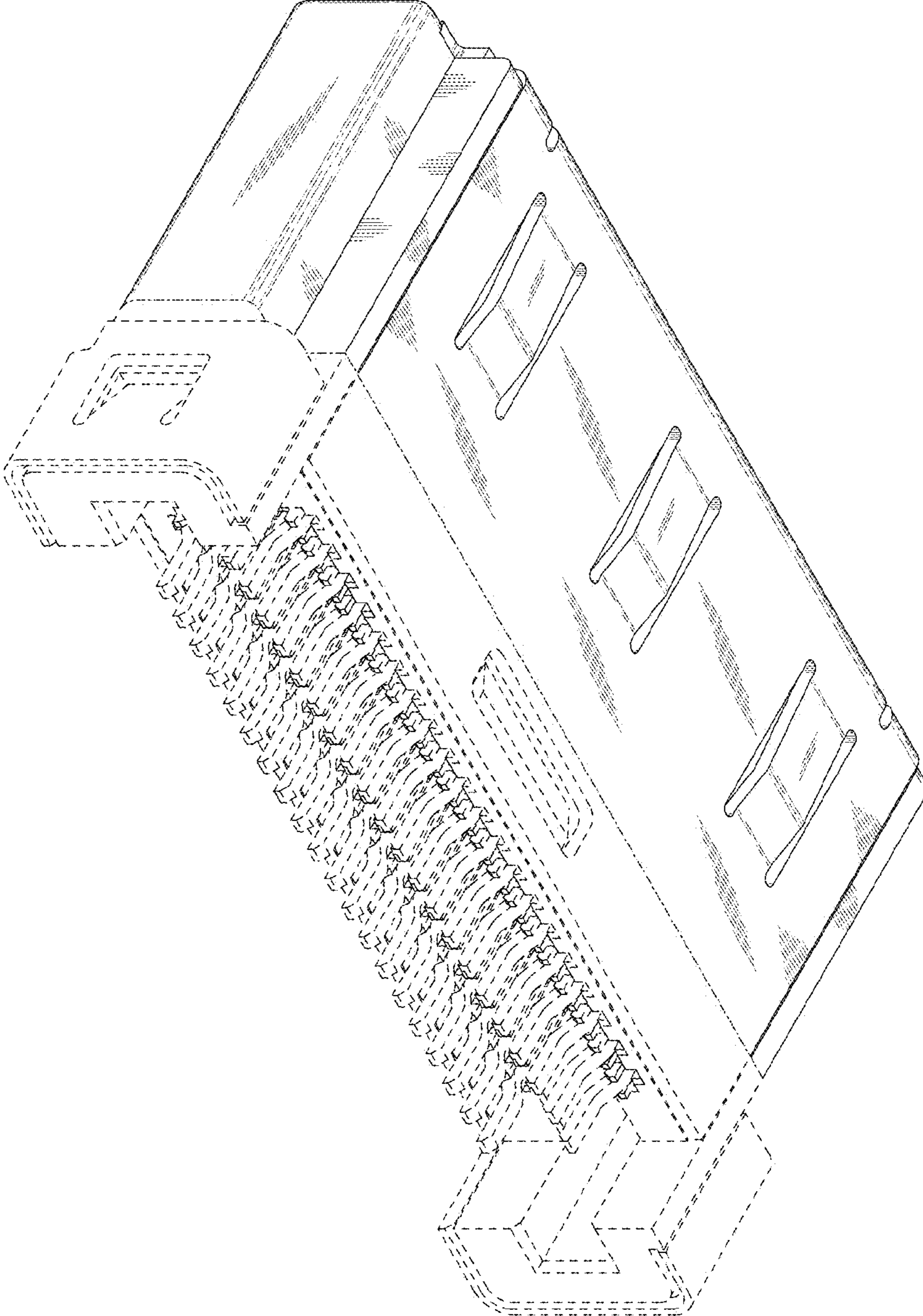


FIG.10