



US00D706721S

(12) **United States Design Patent**
Naito et al.

(10) **Patent No.:** **US D706,721 S**
(45) **Date of Patent:** **** Jun. 10, 2014**

(54) **ELECTRICAL CONNECTOR**

- (71) Applicant: **Japan Aviation Electronics Industry, Limited**, Tokyo (JP)
- (72) Inventors: **Takeharu Naito**, Tokyo (JP); **Yoshifumi Kubota**, Tokyo (JP)
- (73) Assignee: **Japan Aviation Electronics Industry, Limited**, Tokyo (JP)
- (**) Term: **14 Years**
- (21) Appl. No.: **29/453,642**
- (22) Filed: **May 1, 2013**

(30) **Foreign Application Priority Data**

- Nov. 20, 2012 (JP) 2012-028301
- (51) **LOC (10) Cl.** **13-03**
- (52) **U.S. Cl.**
USPC **D13/147**
- (58) **Field of Classification Search**
USPC D13/147, 154, 184, 199; 439/79, 108,
439/180, 246, 374, 378, 488, 527, 529, 530,
439/533, 567, 607.1, 607.4, 607.5, 607.17,
439/607.25, 607.34, 607.41, 607.53, 668,
439/680, 892, 894

See application file for complete search history.

(56) **References Cited**

U.S. PATENT DOCUMENTS

D618,625 S *	6/2010	Nagata et al.	D13/147
D627,734 S *	11/2010	Sun et al.	D13/147
D637,559 S *	5/2011	Wada et al.	D13/147
D637,958 S *	5/2011	Asano et al.	D13/147
D639,245 S *	6/2011	Wada et al.	D13/147

* cited by examiner

Primary Examiner — Daniel Bui

(74) *Attorney, Agent, or Firm* — Westerman, Hattori, Daniels & Adrian, LLP

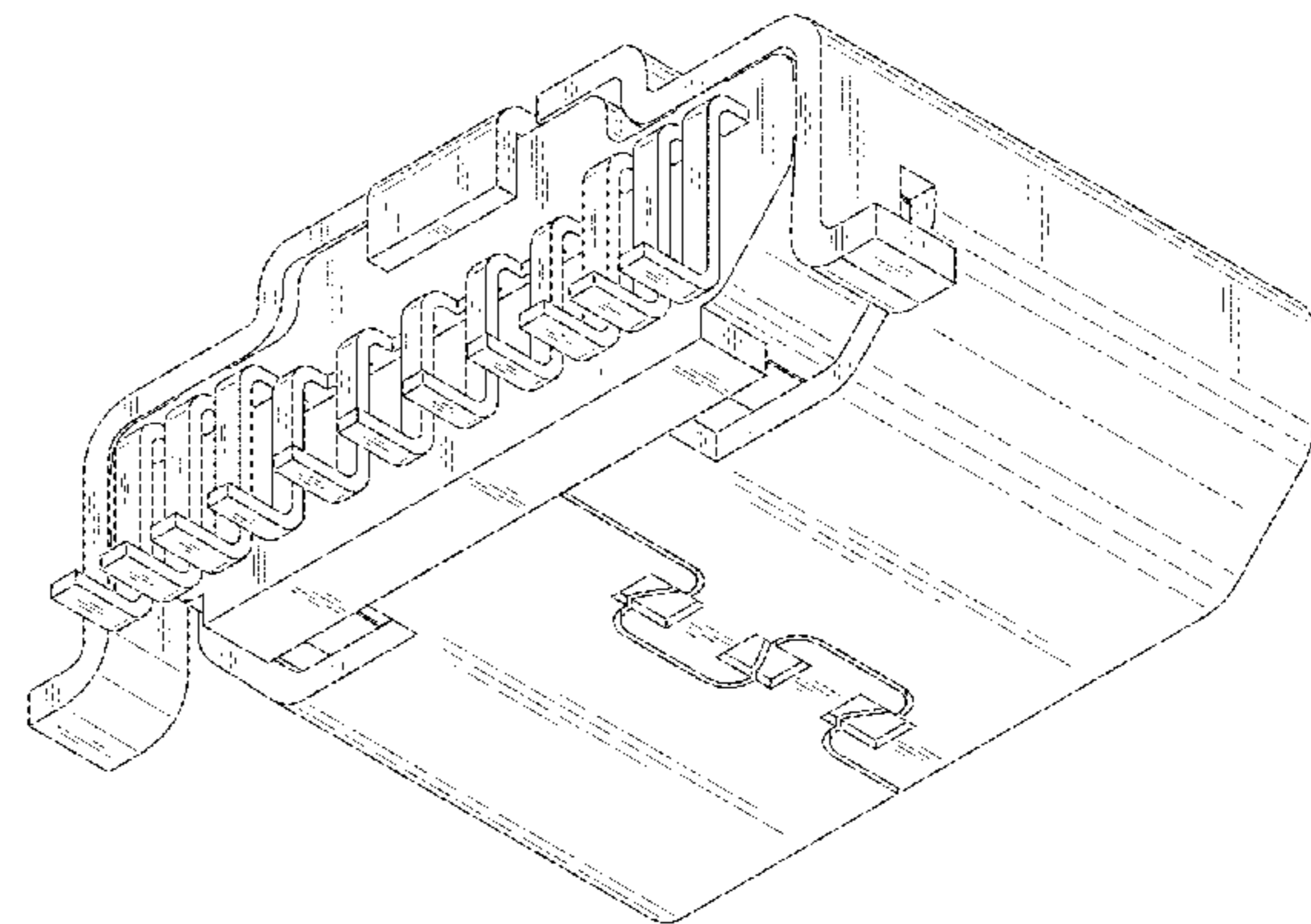
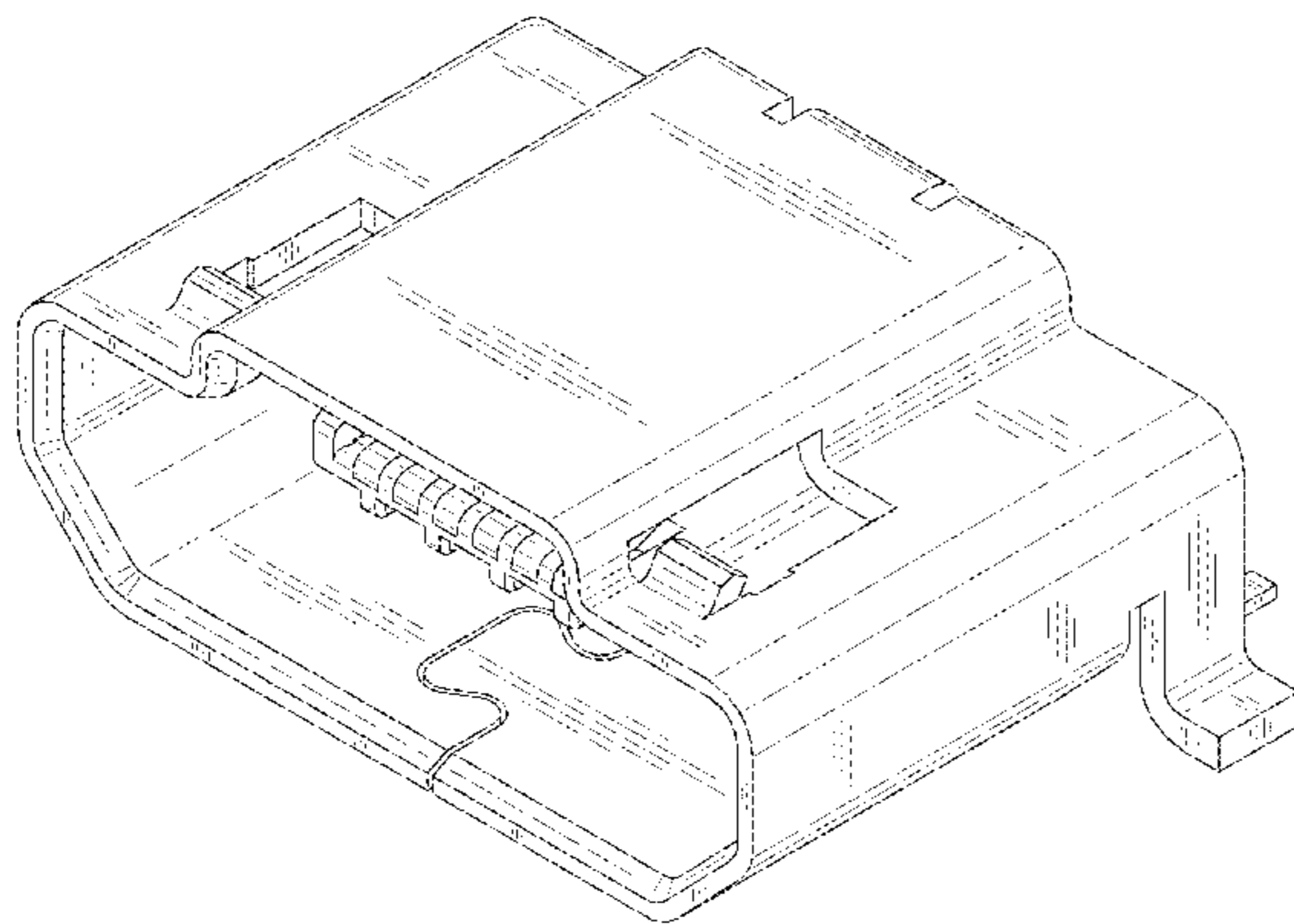
(57) **CLAIM**

The ornamental design for an electrical connector, as shown and described.

DESCRIPTION

FIG. 1 is a front elevational view of an electrical connector, showing our new design;
 FIG. 2 is a rear elevational view thereof;
 FIG. 3 is a right side elevational view thereof;
 FIG. 4 is a left side elevational view thereof;
 FIG. 5 is a top plan view thereof;
 FIG. 6 is a bottom plan view thereof;
 FIG. 7 is a right front perspective view showing the top thereof;
 FIG. 8 is a left rear perspective view showing the bottom thereof;
 FIG. 9 is a right front perspective view showing the bottom thereof; and,
 FIG. 10 is a left rear perspective view showing the top thereof.

1 Claim, 10 Drawing Sheets



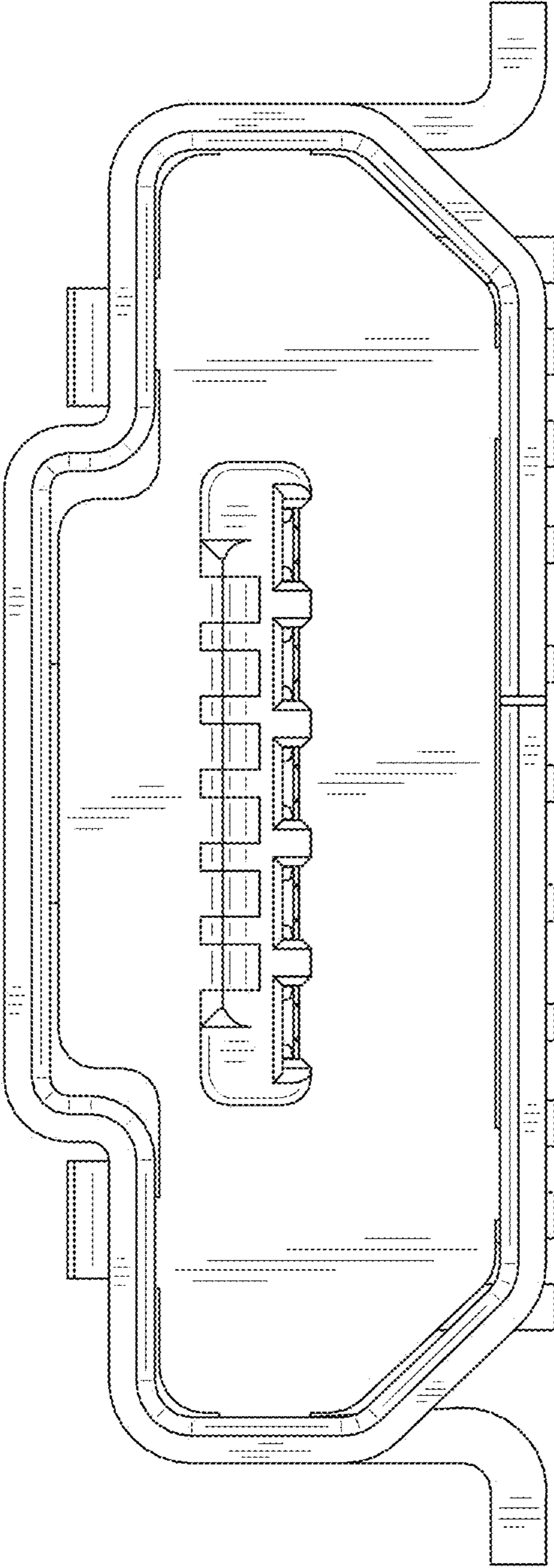


FIG.1

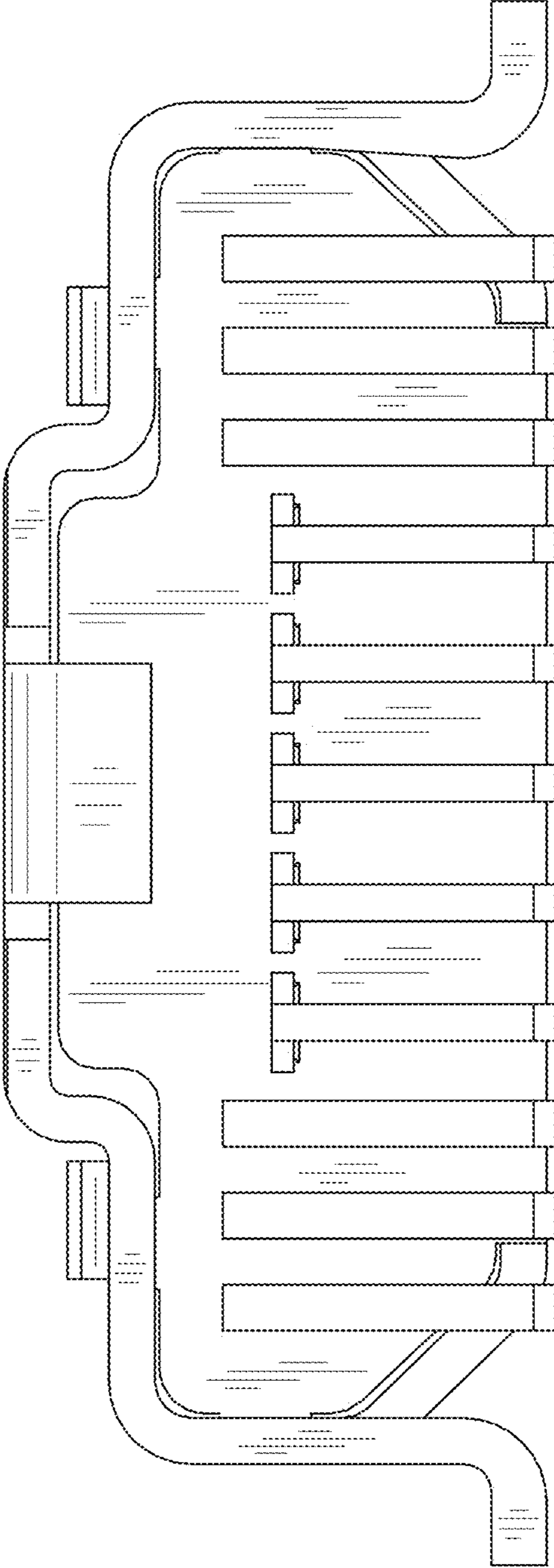


FIG.2

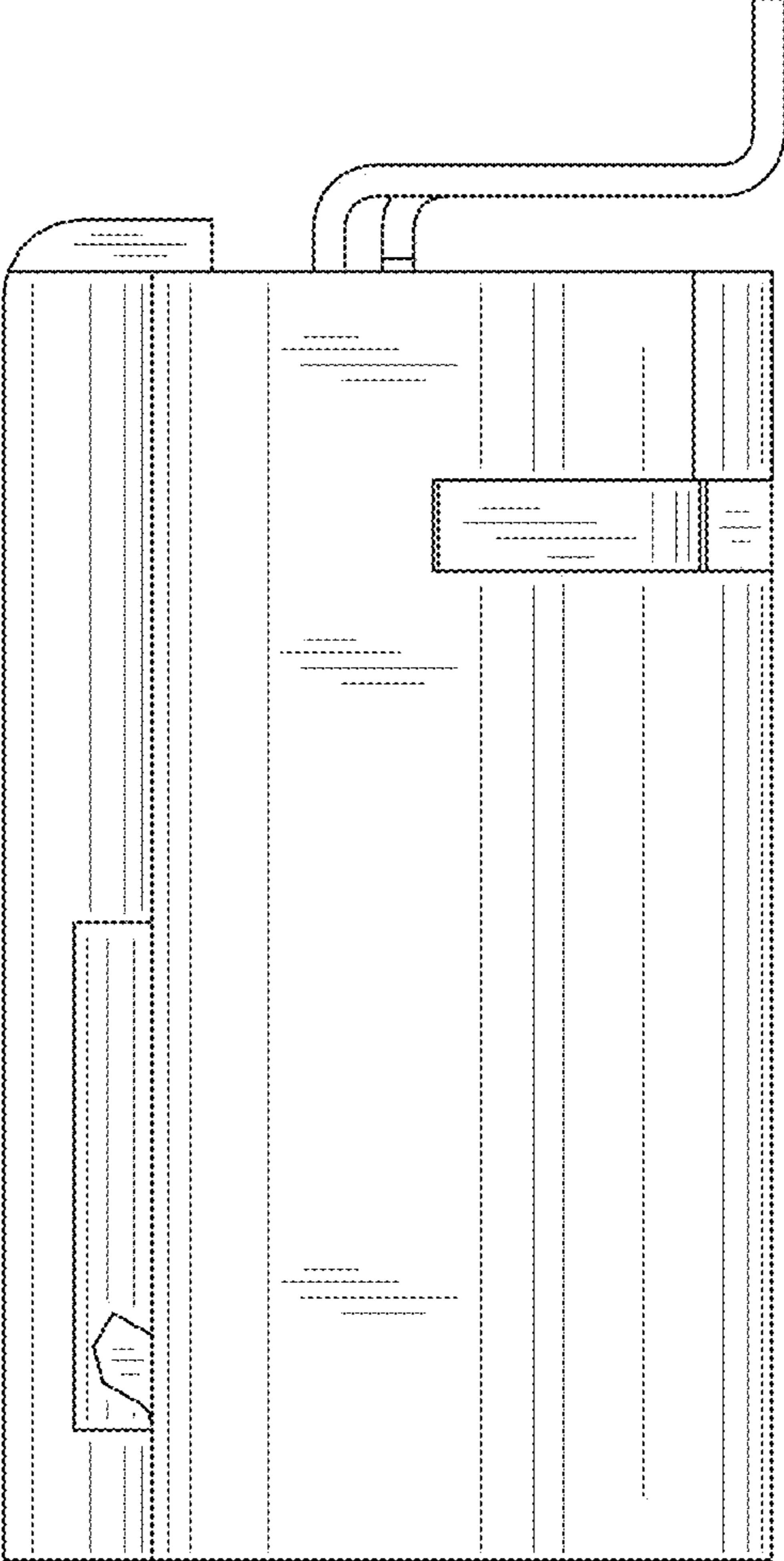


FIG.3

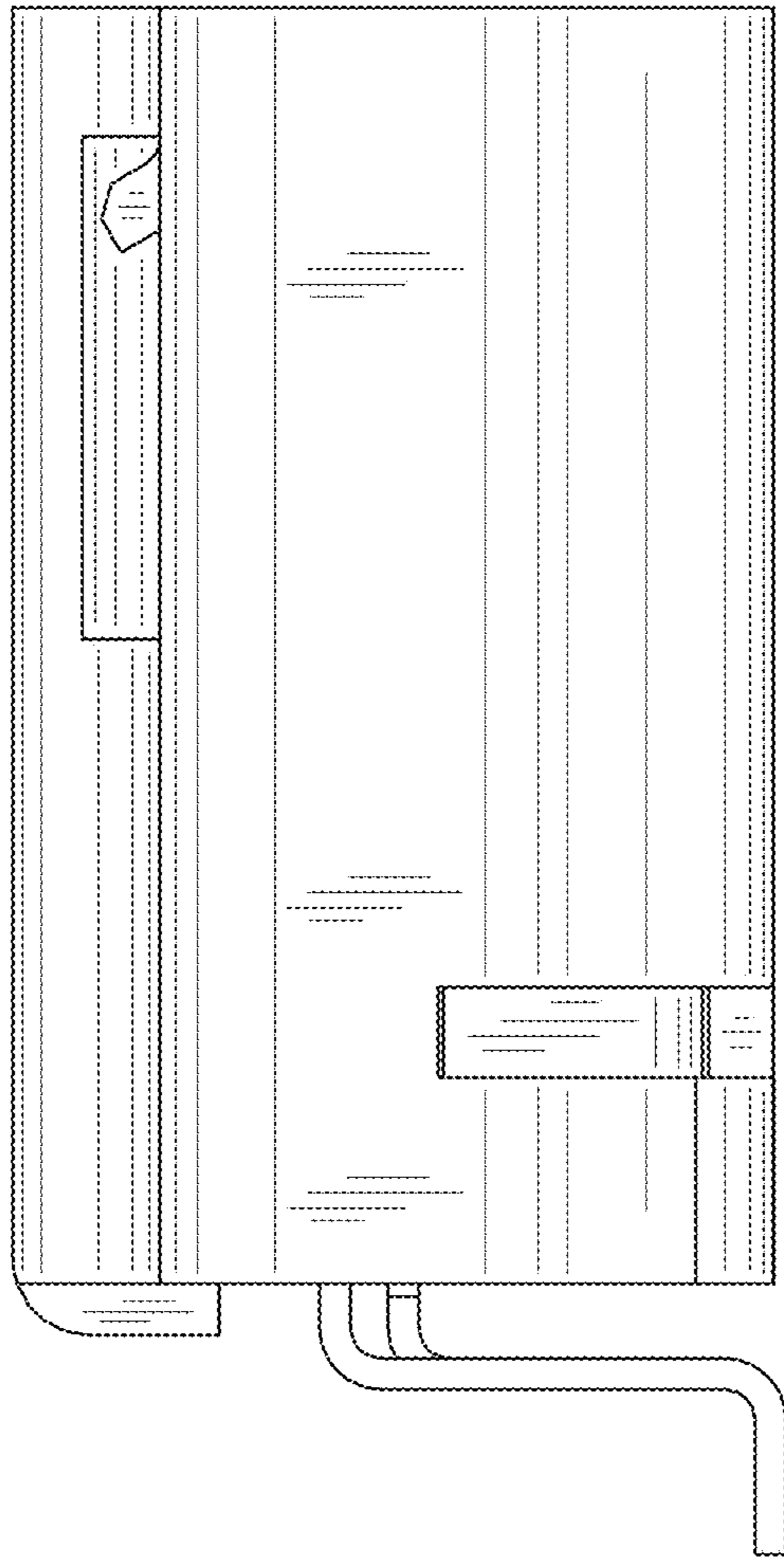


FIG.4

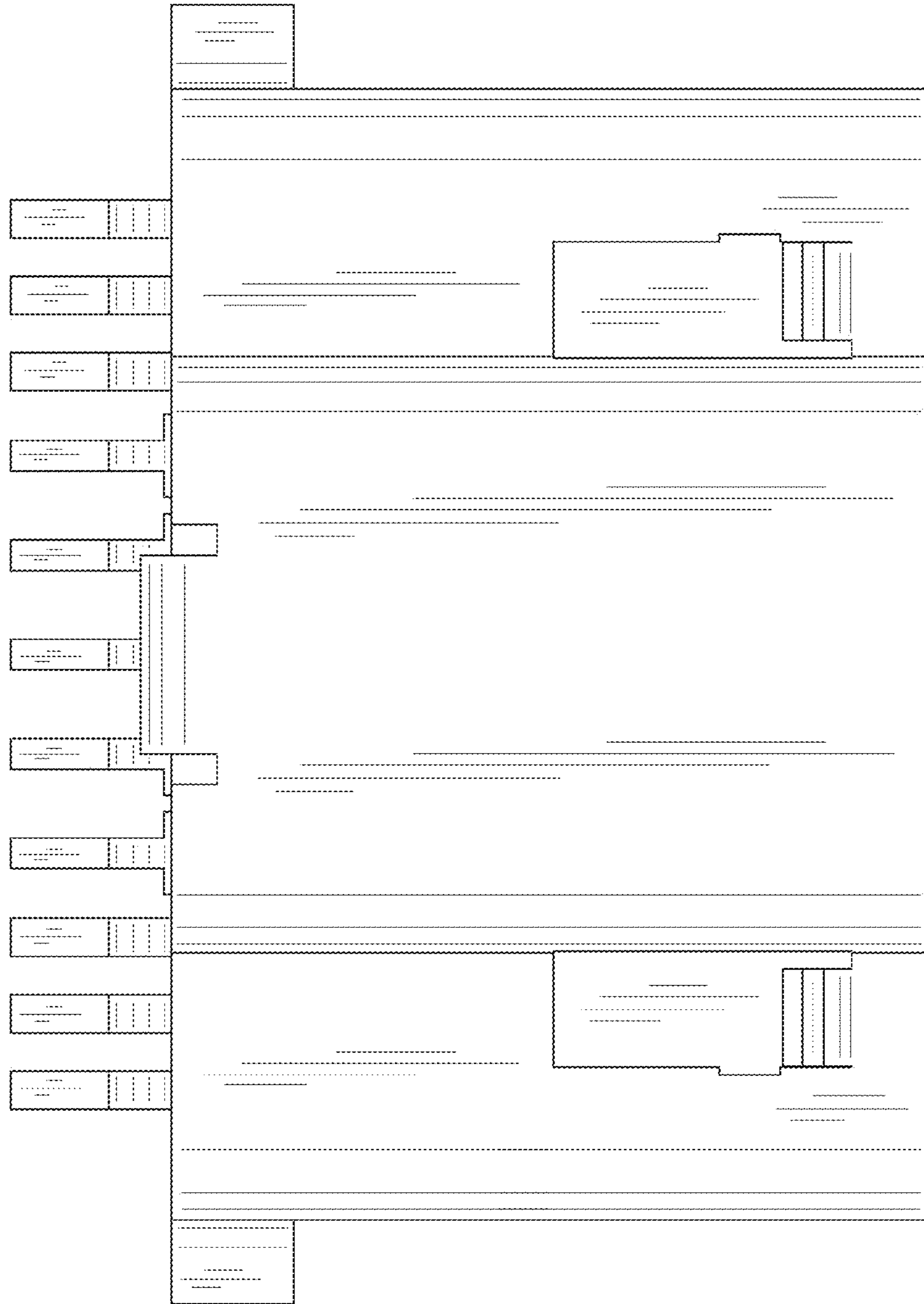


FIG. 5

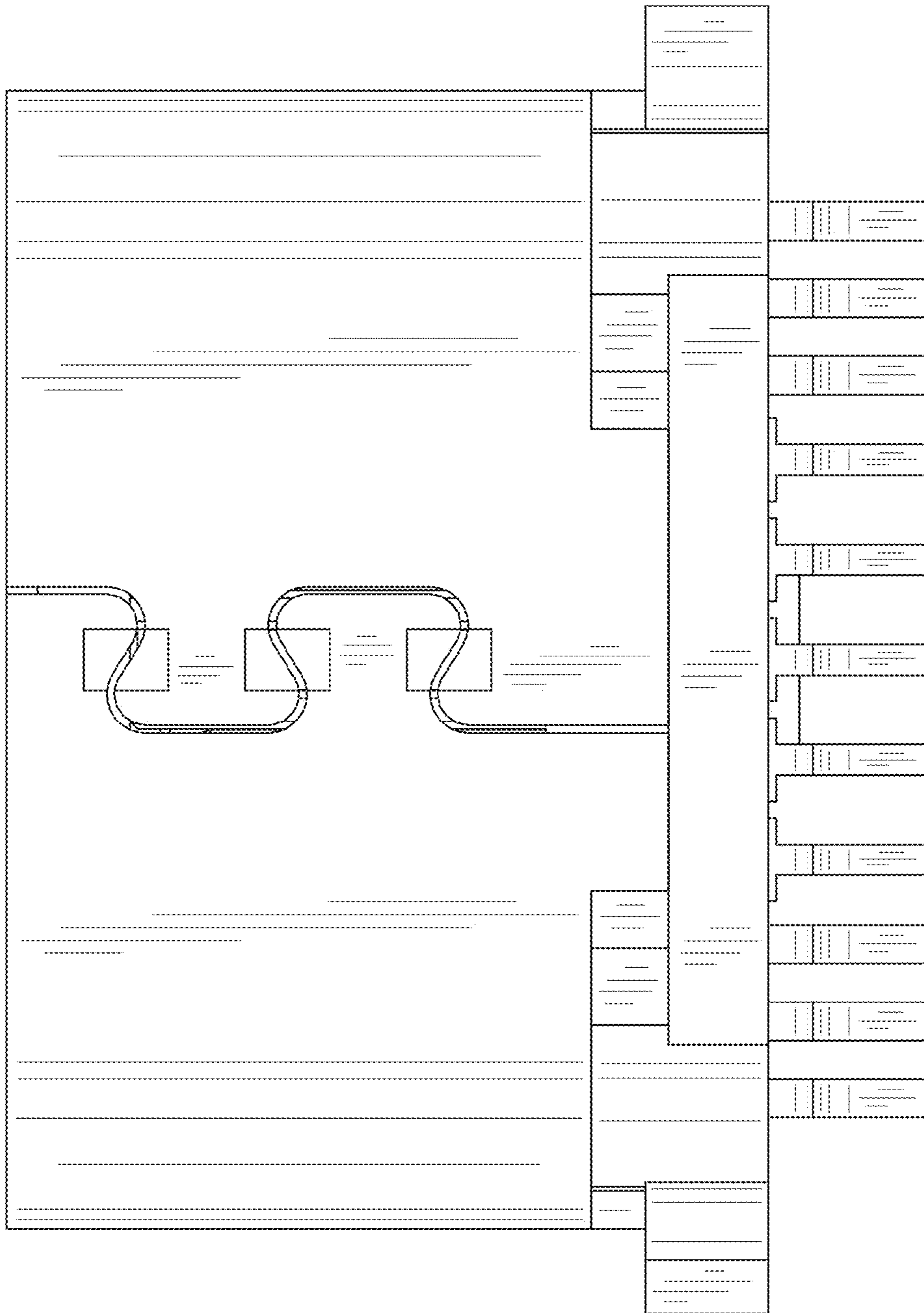


FIG.6

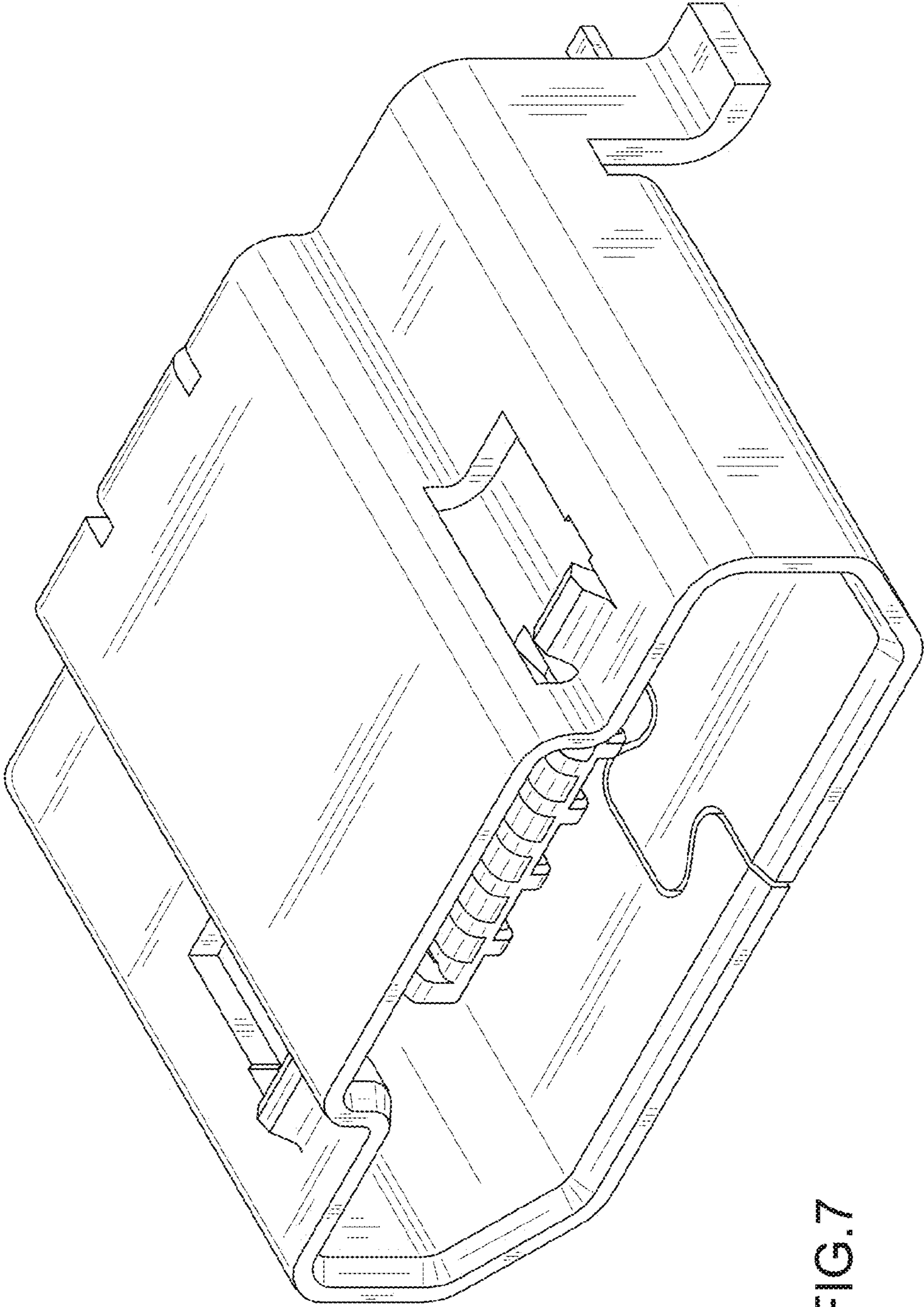


FIG. 7

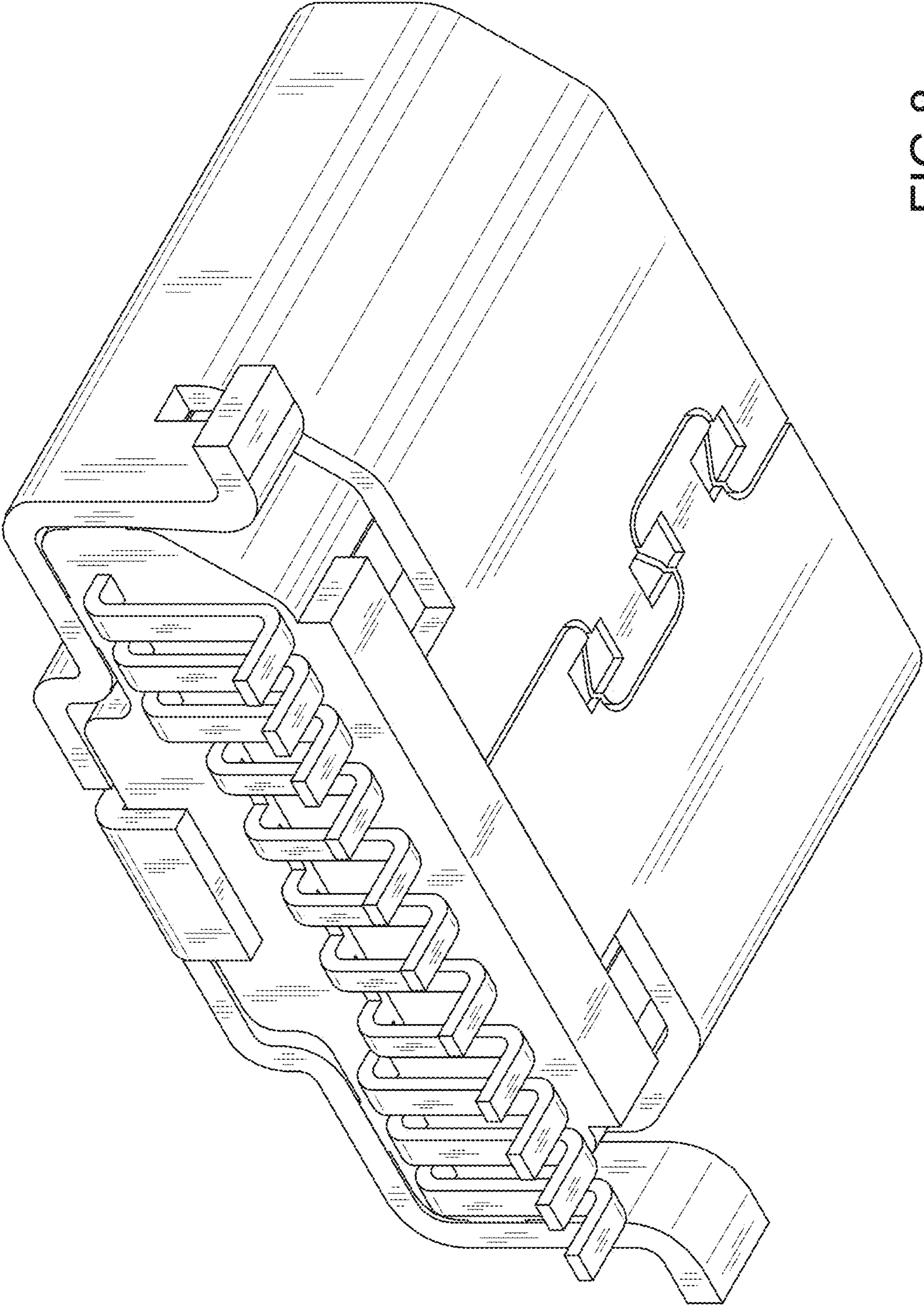


FIG. 8

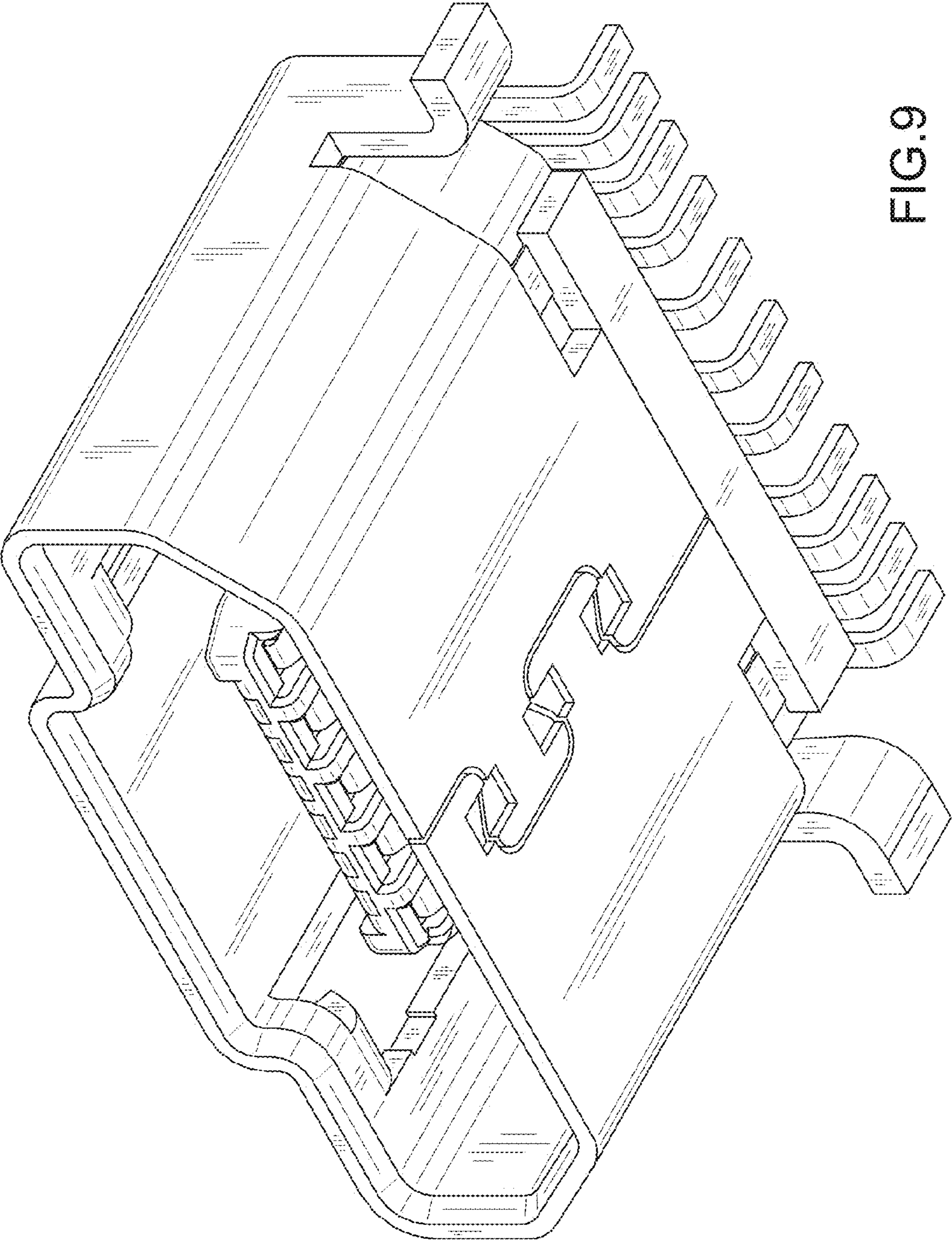


FIG. 9

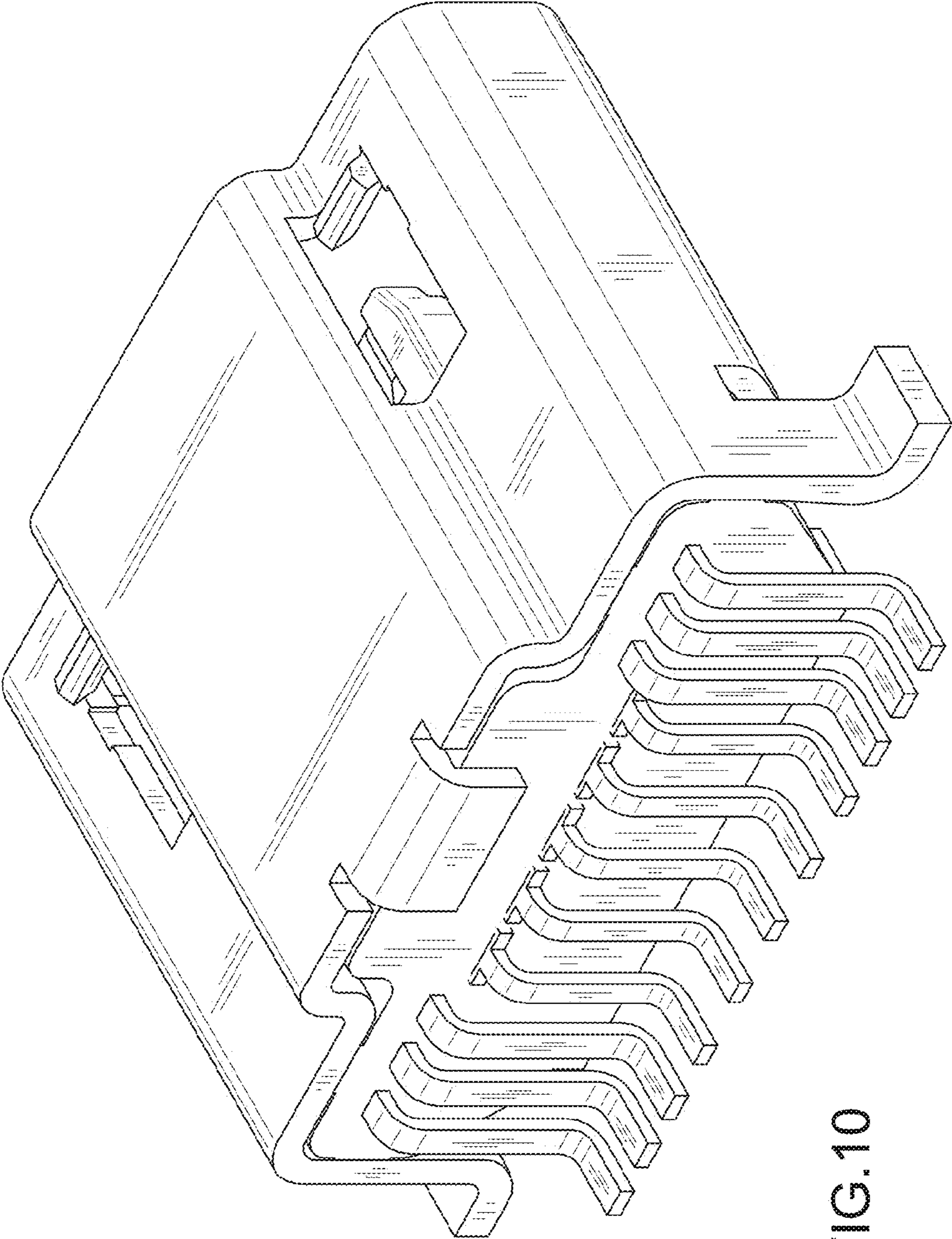


FIG.10