

US00D706720S

(12) **United States Design Patent**
Gette

(10) **Patent No.:** **US D706,720 S**
(45) **Date of Patent:** **** Jun. 10, 2014**

(54) **PLUG FOR AN ELECTRICAL
PLUG-AND-SOCKET CONNECTION**

(71) Applicant: **Erich Jaeger GmbH & Co. KG,**
Friedberg (DE)

(72) Inventor: **Johannes Gette,** Wöffersheim (DE)

(73) Assignee: **Erich Jaeger GmbH & Co. KG,**
Friedberg (DE)

(**) Term: **14 Years**

(21) Appl. No.: **29/451,852**

(22) Filed: **Apr. 9, 2013**

Related U.S. Application Data

(63) Continuation of application No. 13/851,278, filed on
Mar. 27, 2013, and a continuation of application No.
13/851,281, filed on Mar. 27, 2013.

(51) **LOC (10) Cl.** **13-03**

(52) **U.S. Cl.**
USPC **D13/147**

(58) **Field of Classification Search**
USPC D13/107-109, 118-119, 133, 146, 147,
D13/154, 184, 199; 320/104, 107-115,
320/FOR. 104, FOR. 119, DIG. 35

See application file for complete search history.

(56) **References Cited**

U.S. PATENT DOCUMENTS

D505,918 S *	6/2005	Conway et al.	D13/147
D608,737 S *	1/2010	Upham et al.	D13/147
D667,374 S *	9/2012	Hori et al.	D13/133
D667,379 S *	9/2012	Fukushima et al.	D13/146
D671,073 S *	11/2012	Mori et al.	D13/133

* cited by examiner

Primary Examiner — Daniel Bui

(74) *Attorney, Agent, or Firm* — McDonnell Boehnen
Hulbert & Berghoff LLP

(57) **CLAIM**

The ornamental design for a plug for an electrical plug-and-socket connection, as shown and described.

DESCRIPTION

FIG. 1 is a perspective view taken from a top, front, right side of a plug for an electrical plug-and-socket connection, according to our new design;

FIG. 2 is a front elevation view thereof;

FIG. 3 is a rear elevation view thereof;

FIG. 4 is a left side elevation view thereof;

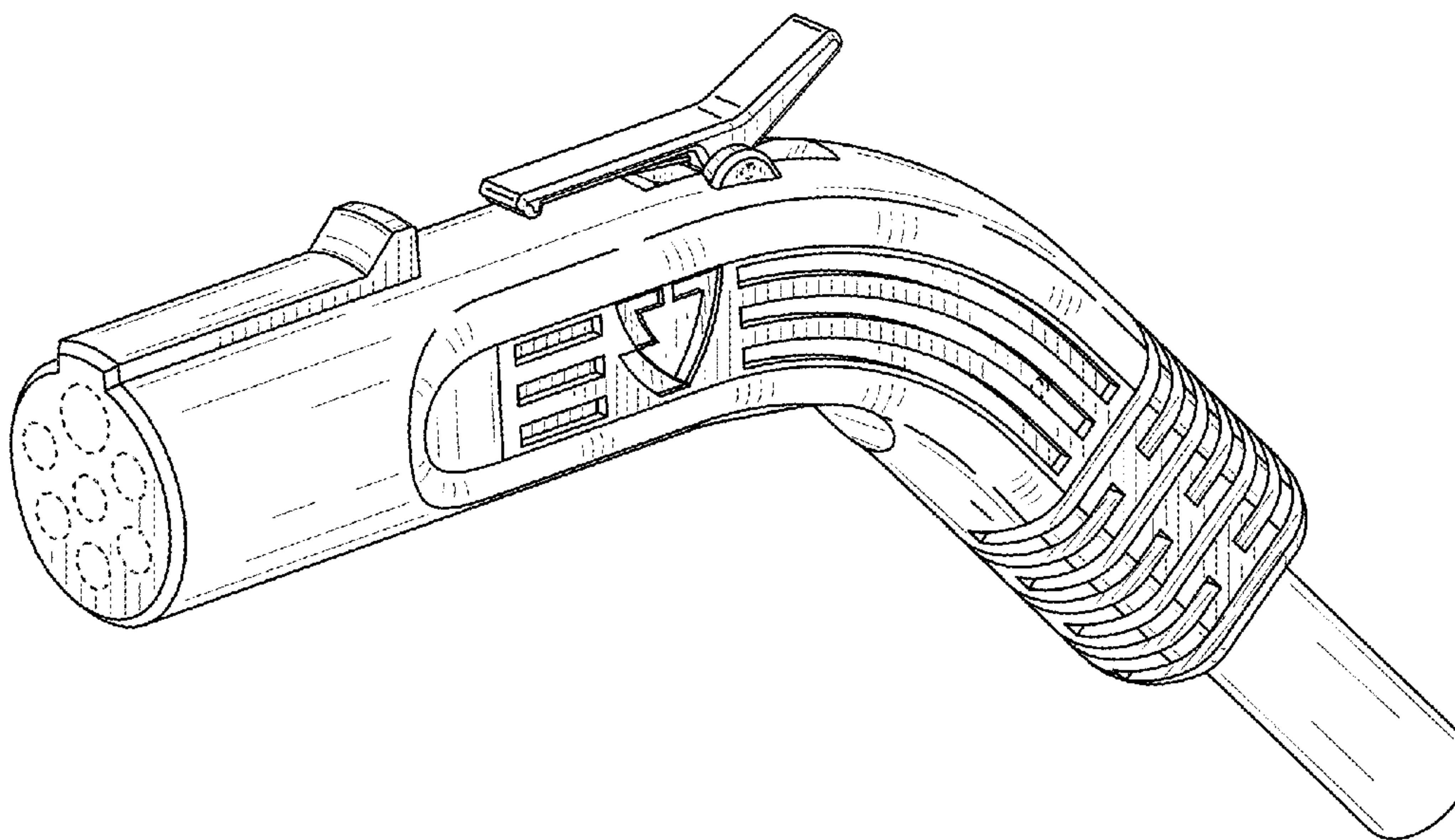
FIG. 5 is a right side elevation view thereof;

FIG. 6 is a top plan view thereof; and,

FIG. 7 is a bottom plan view thereof.

The claimed plug for an electrical plug-and-socket connection is used as a plug for an electrical plug-and-socket connection. The design consists of the visual features of the portions of the plug for an electrical plug-and-socket connection shown in solid lines in the drawings. The broken line in the figure drawing views is included for the purpose of illustrating environment and forms no part of the claimed design.

1 Claim, 4 Drawing Sheets



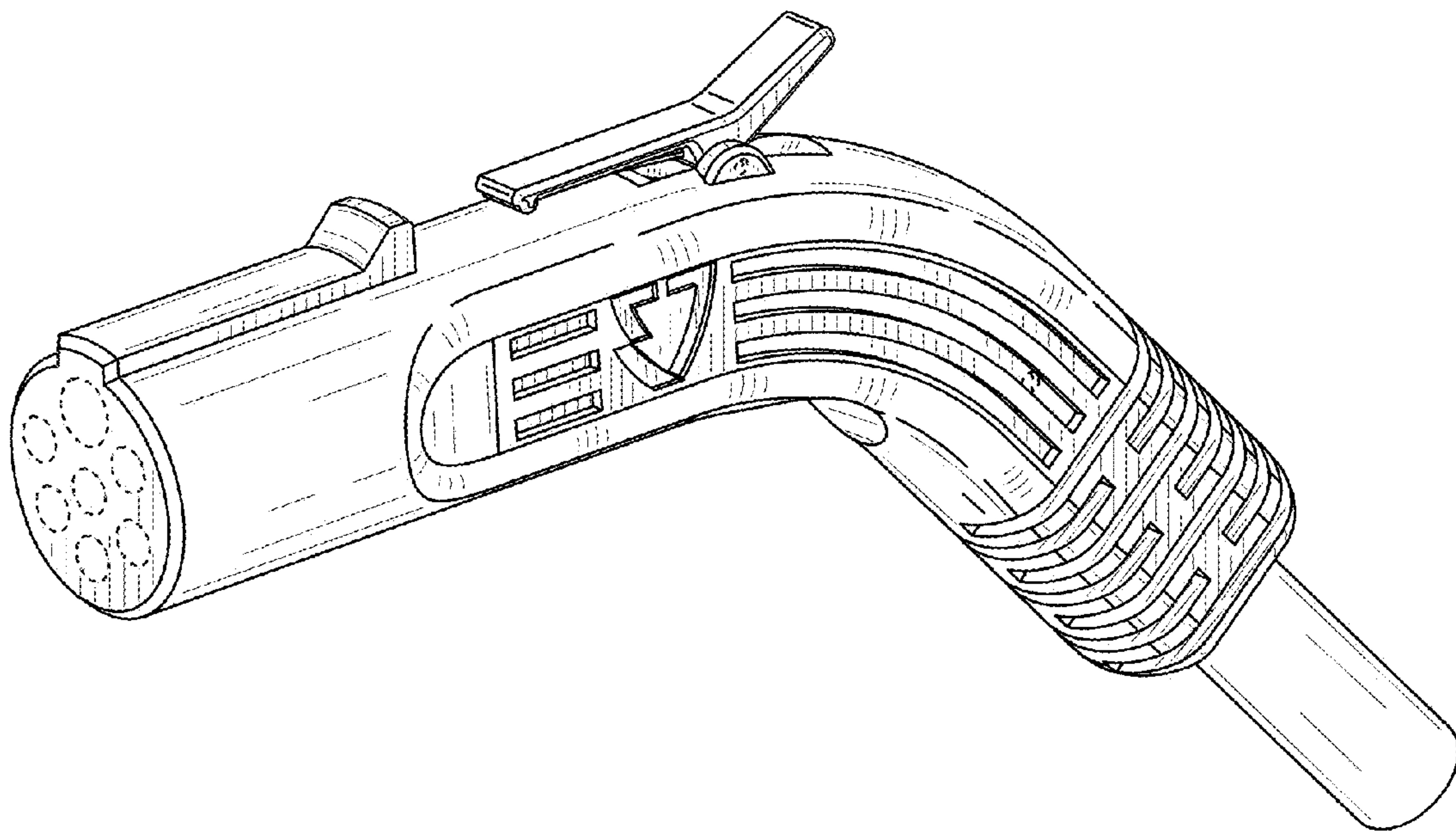


FIG. 1

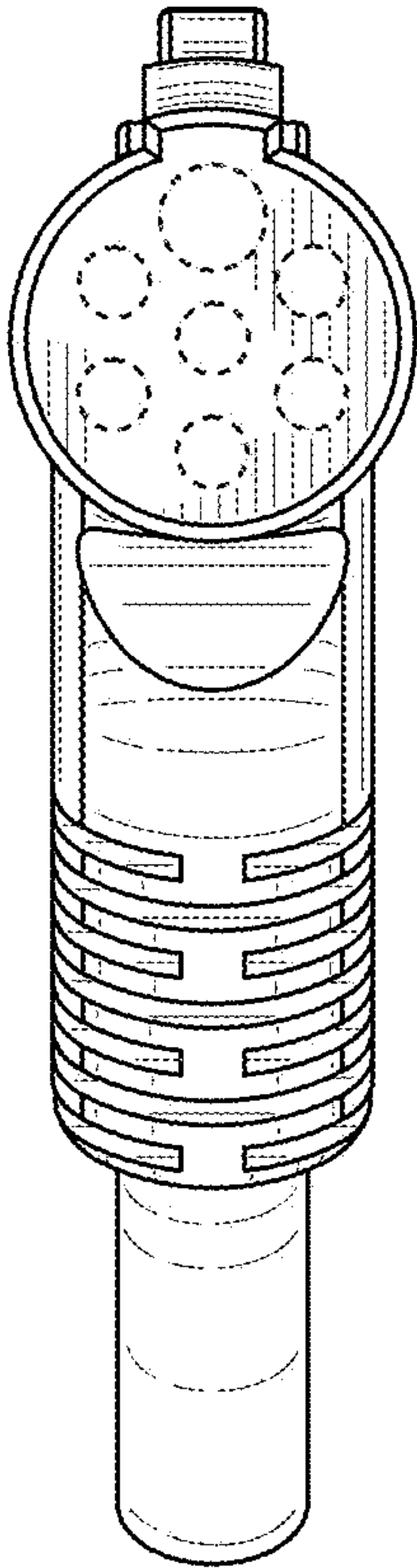


FIG. 2

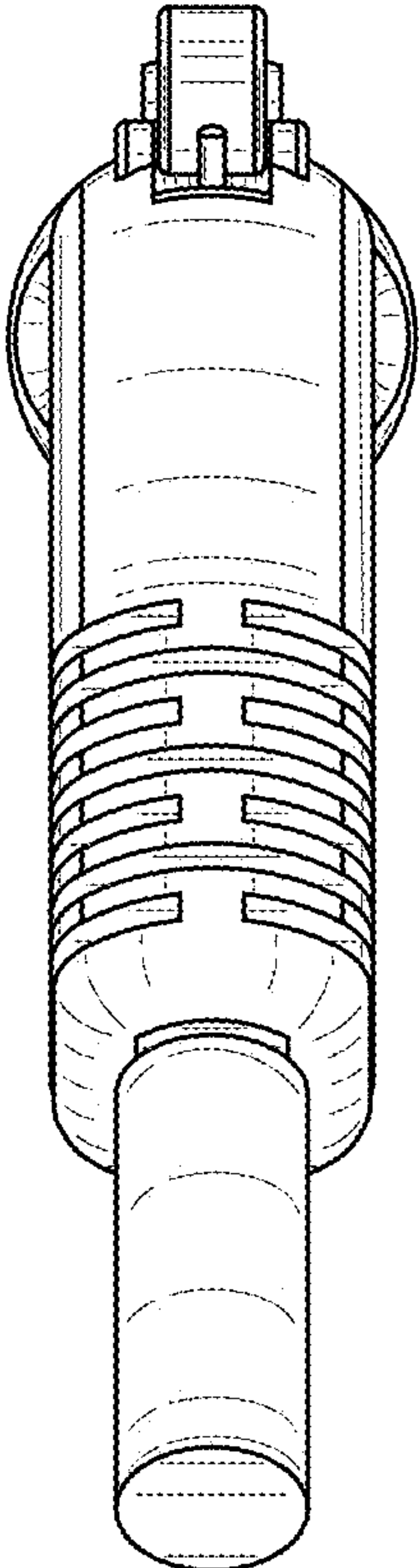


FIG. 3

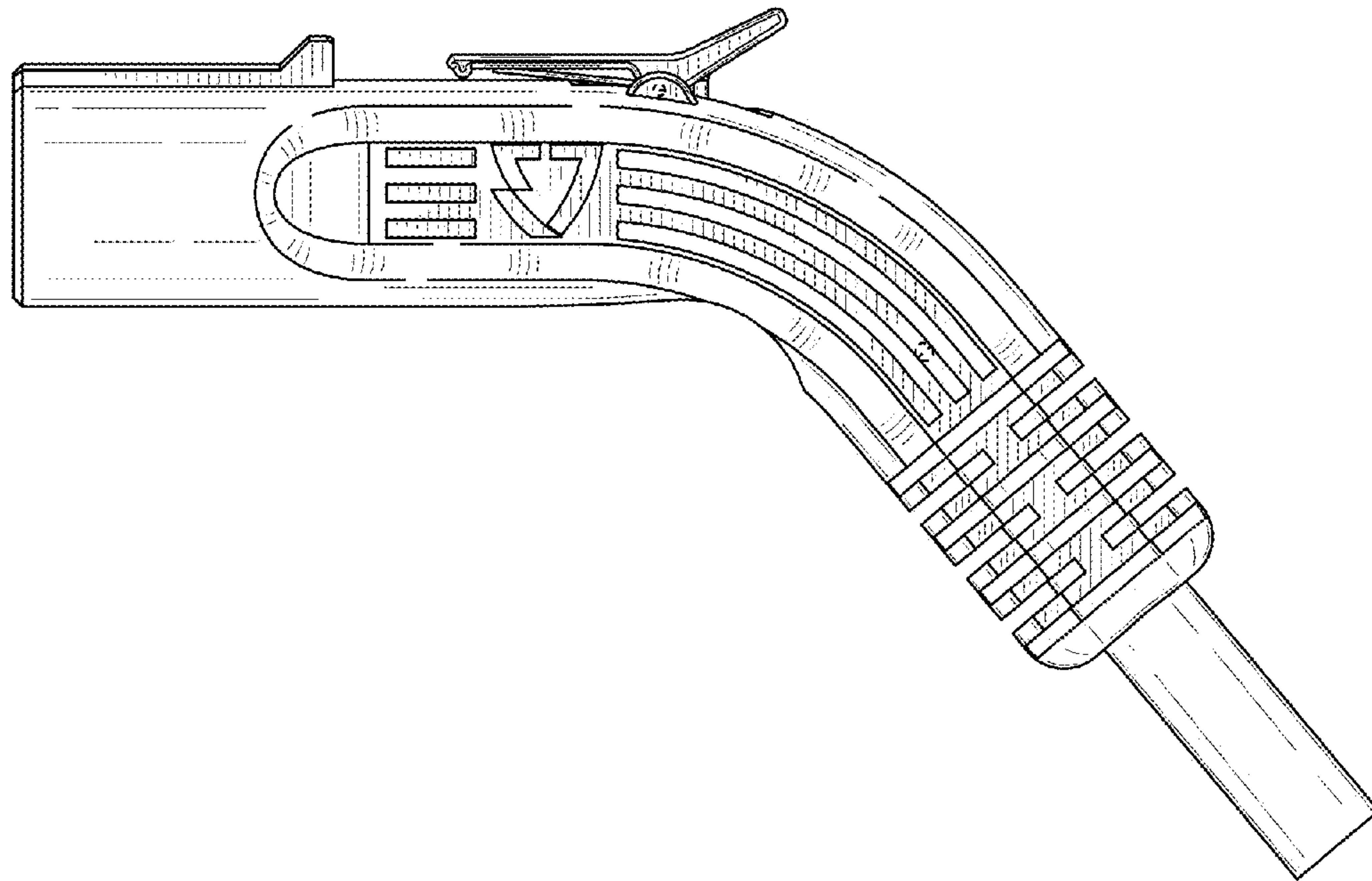


FIG. 4

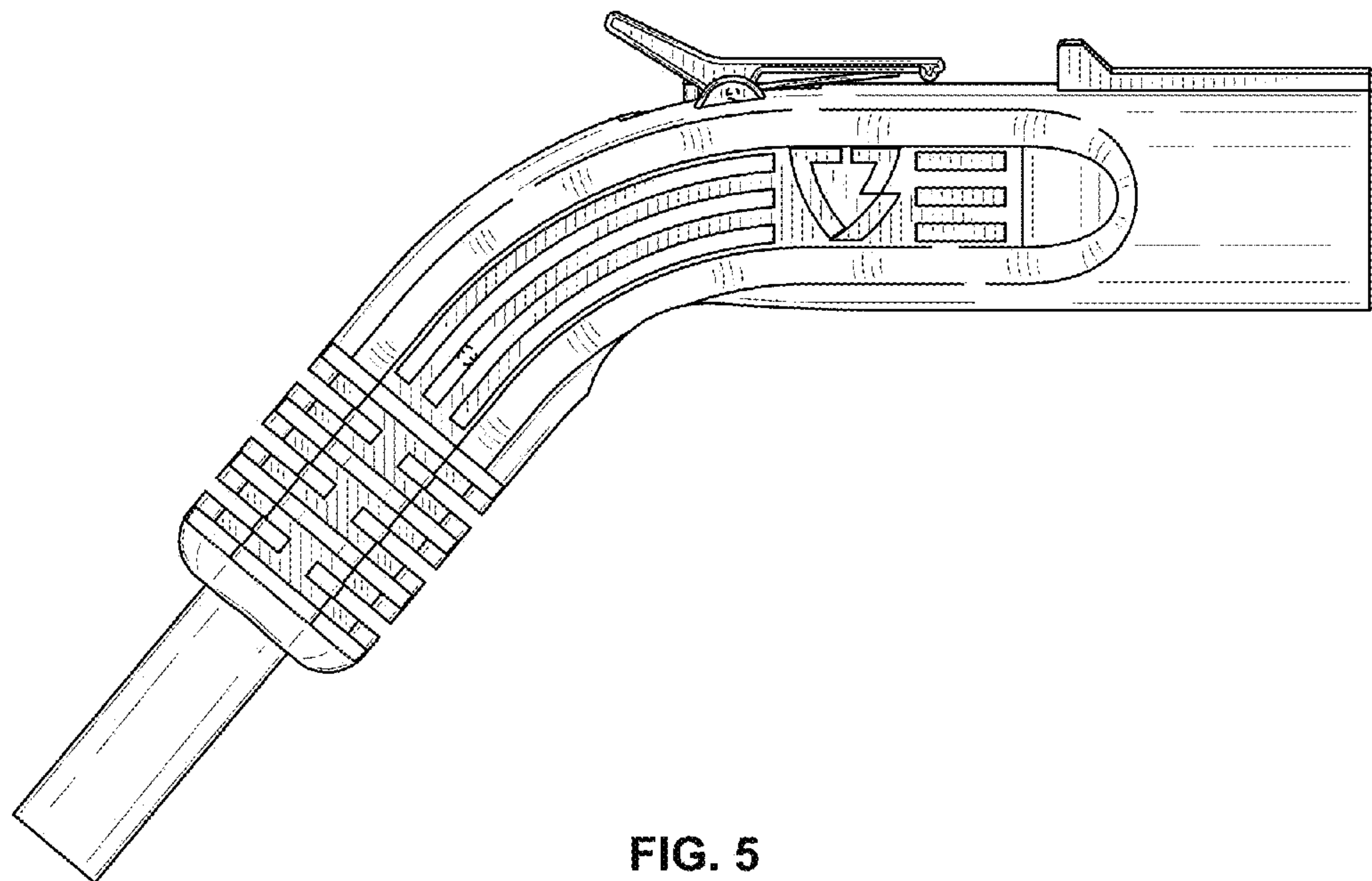


FIG. 5

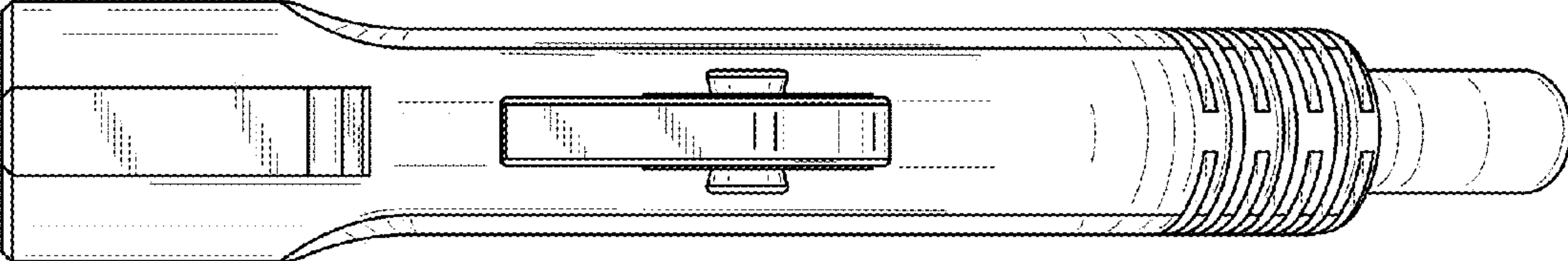


FIG. 6

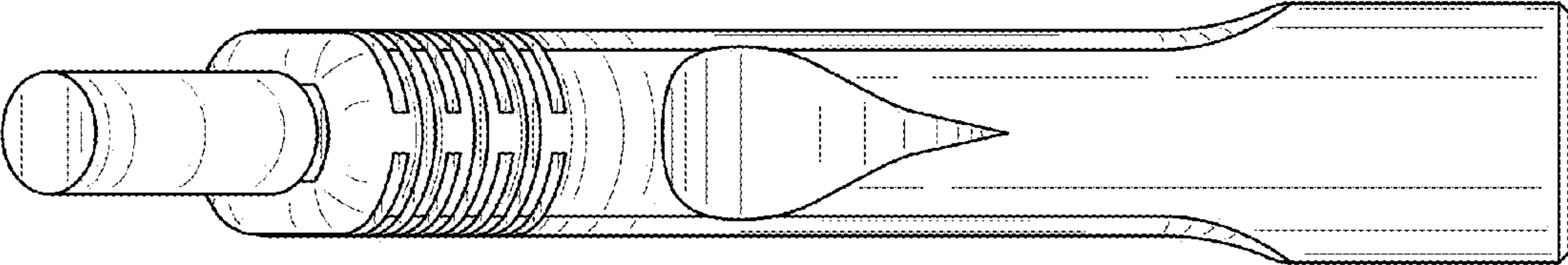


FIG. 7