



US00D706719S

(12) **United States Design Patent**
Yokoyama

(10) **Patent No.:** **US D706,719 S**
(45) **Date of Patent:** **** Jun. 10, 2014**

(54) **ELECTRICAL CONNECTOR**

(71) Applicant: **Japan Aviation Electronics Industry, Limited**, Tokyo (JP)

(72) Inventor: **Yohei Yokoyama**, Tokyo (JP)

(73) Assignee: **Japan Aviation Electronics Industry, Limited**, Tokyo (JP)

(**) Term: **14 Years**

(21) Appl. No.: **29/445,458**

(22) Filed: **Feb. 12, 2013**

(30) **Foreign Application Priority Data**

Aug. 23, 2012 (JP) 2012-020126

(51) **LOC (10) Cl.** **13-03**

(52) **U.S. Cl.**
USPC **D13/147**

(58) **Field of Classification Search**
USPC D13/147, 154, 184, 199; 439/79, 108, 439/180, 246, 374, 378, 488, 527, 529, 530, 439/533, 567, 607.1, 607.4, 607.5, 607.17, 439/607.25, 607.34, 607.41, 607.53, 668, 439/680, 892, 894
See application file for complete search history.

(56) **References Cited**

U.S. PATENT DOCUMENTS

D416,863 S * 11/1999 Sato et al. D13/147
D465,202 S * 11/2002 Kubota D13/147

D476,952 S * 7/2003 Masaki D13/147
D488,446 S * 4/2004 Sato D13/147
D555,103 S * 11/2007 Iino et al. D13/147
D578,071 S * 10/2008 Shen et al. D13/147
D610,550 S * 2/2010 Iino et al. D13/154
D679,251 S * 4/2013 Yokoyama D13/147

* cited by examiner

Primary Examiner — Daniel Bui

(74) *Attorney, Agent, or Firm* — Westerman, Hattori, Daniels & Adrian, LLP

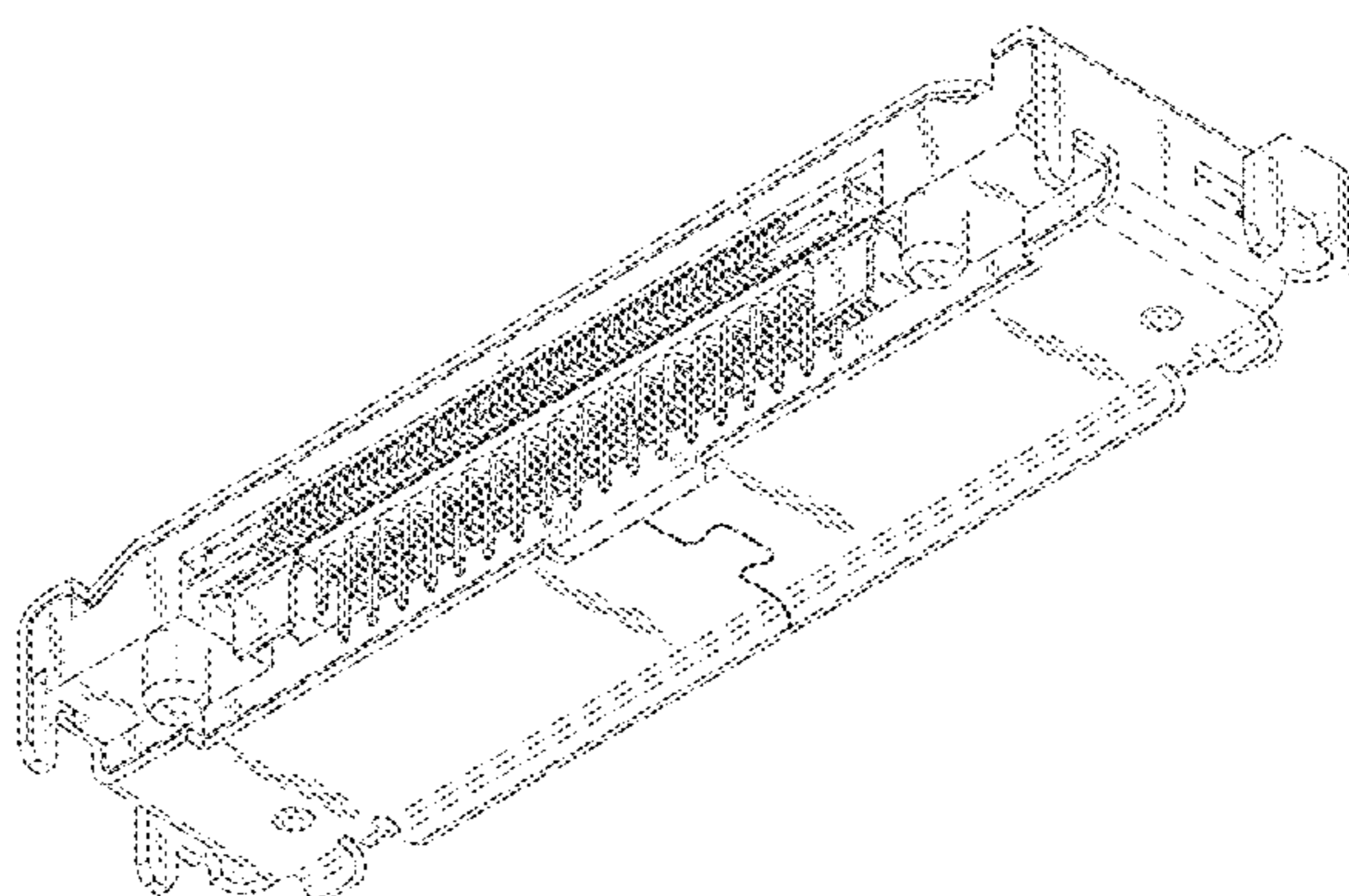
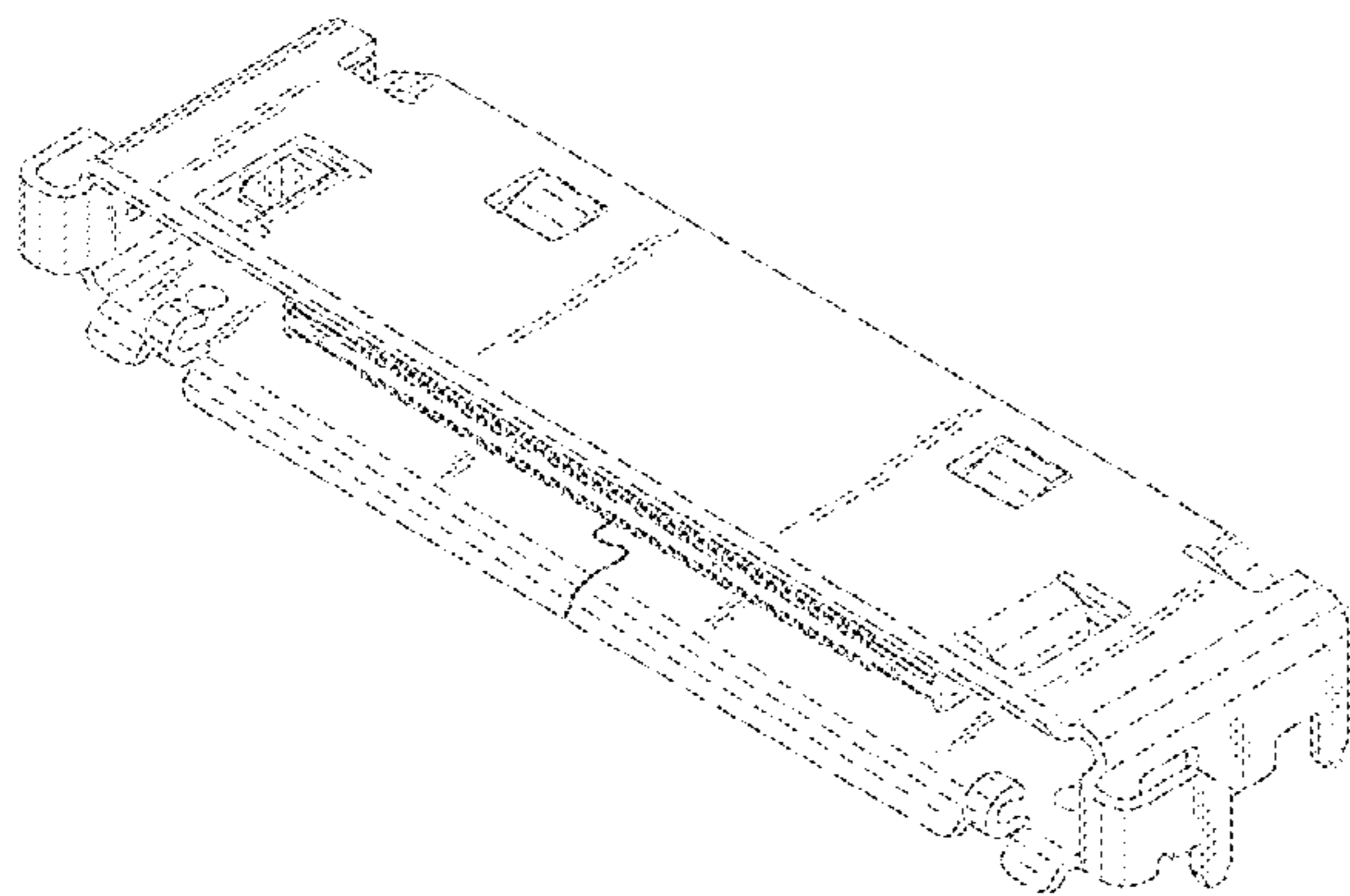
(57) **CLAIM**

The ornamental design for an electrical connector, as shown and described.

DESCRIPTION

FIG. 1 is a front elevational view of an electrical connector, showing my new design;
FIG. 2 is a rear elevational view thereof;
FIG. 3 is a right side elevational view thereof;
FIG. 4 is a left side elevational view thereof;
FIG. 5 is a top plan view thereof;
FIG. 6 is a bottom plan view thereof;
FIG. 7 is a right front perspective view showing the top thereof;
FIG. 8 is a left rear perspective view showing the bottom thereof;
FIG. 9 is a right front perspective view showing the bottom thereof; and,
FIG. 10 is a left rear perspective view showing the top thereof.

1 Claim, 10 Drawing Sheets



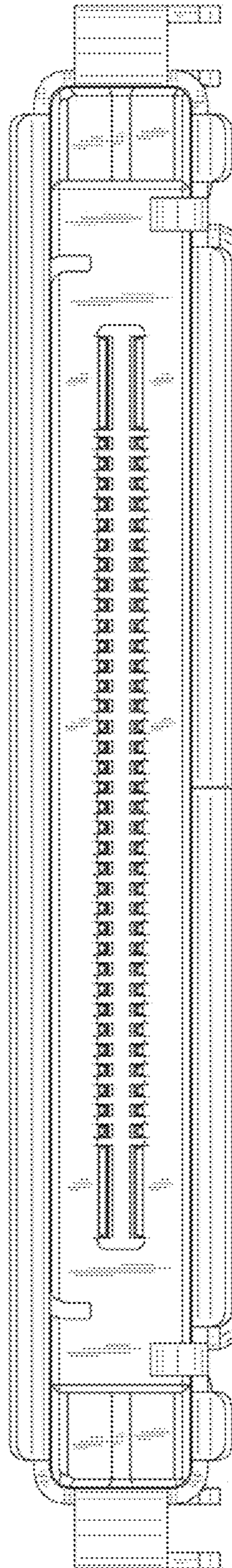


FIG.1

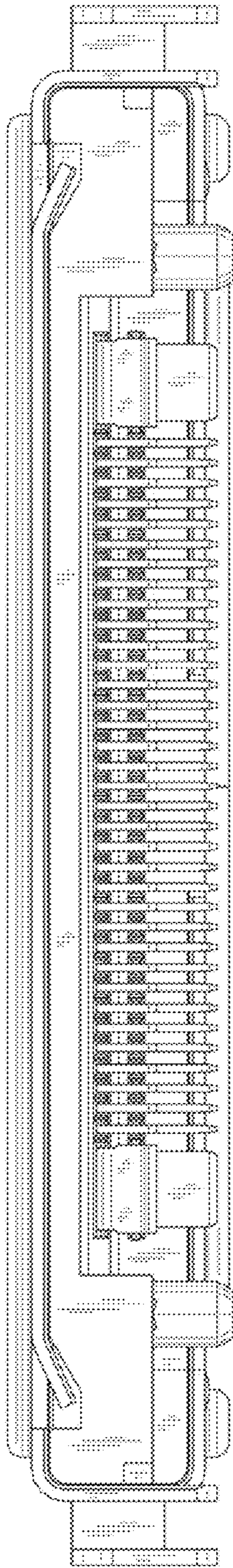


FIG.2

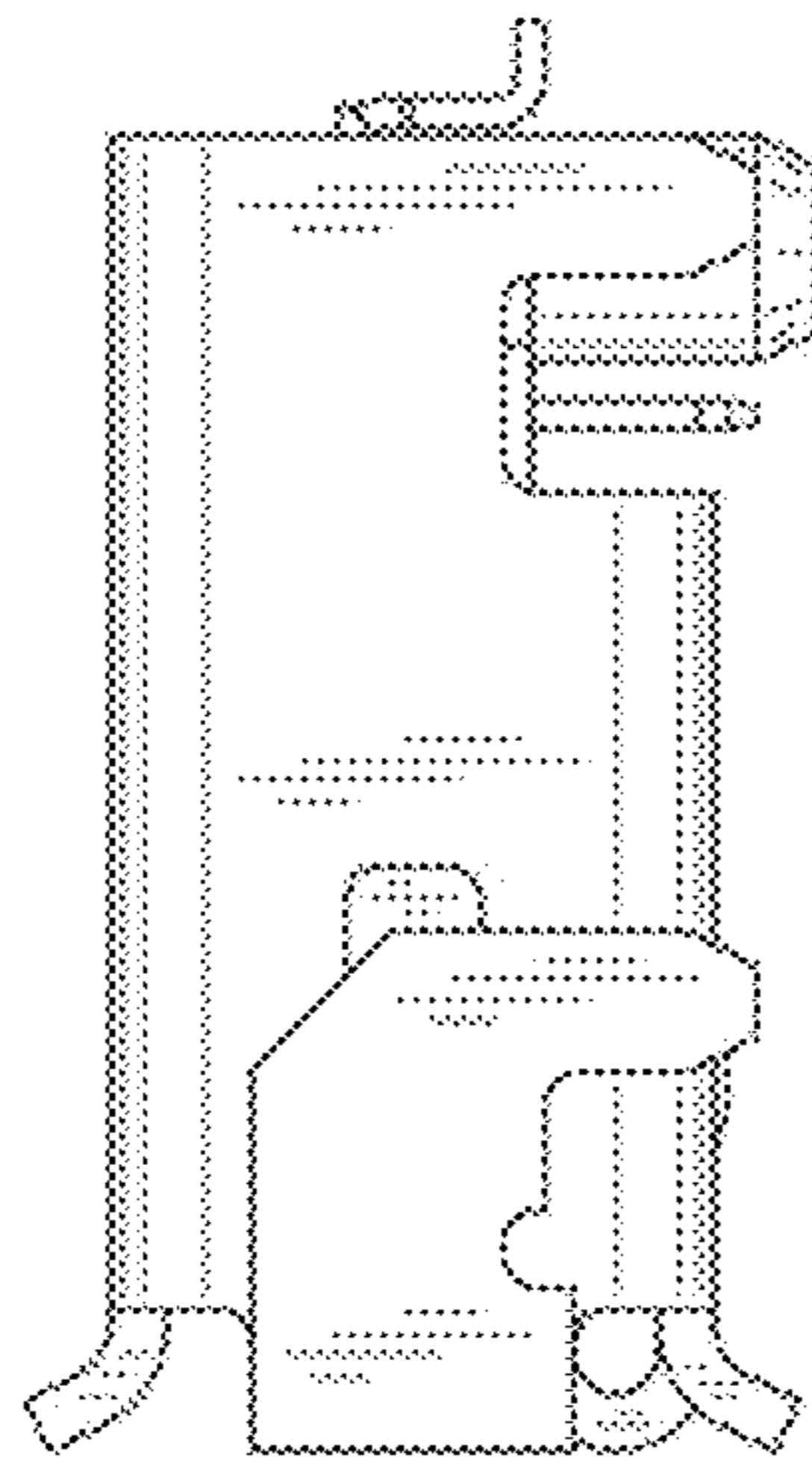


FIG. 3

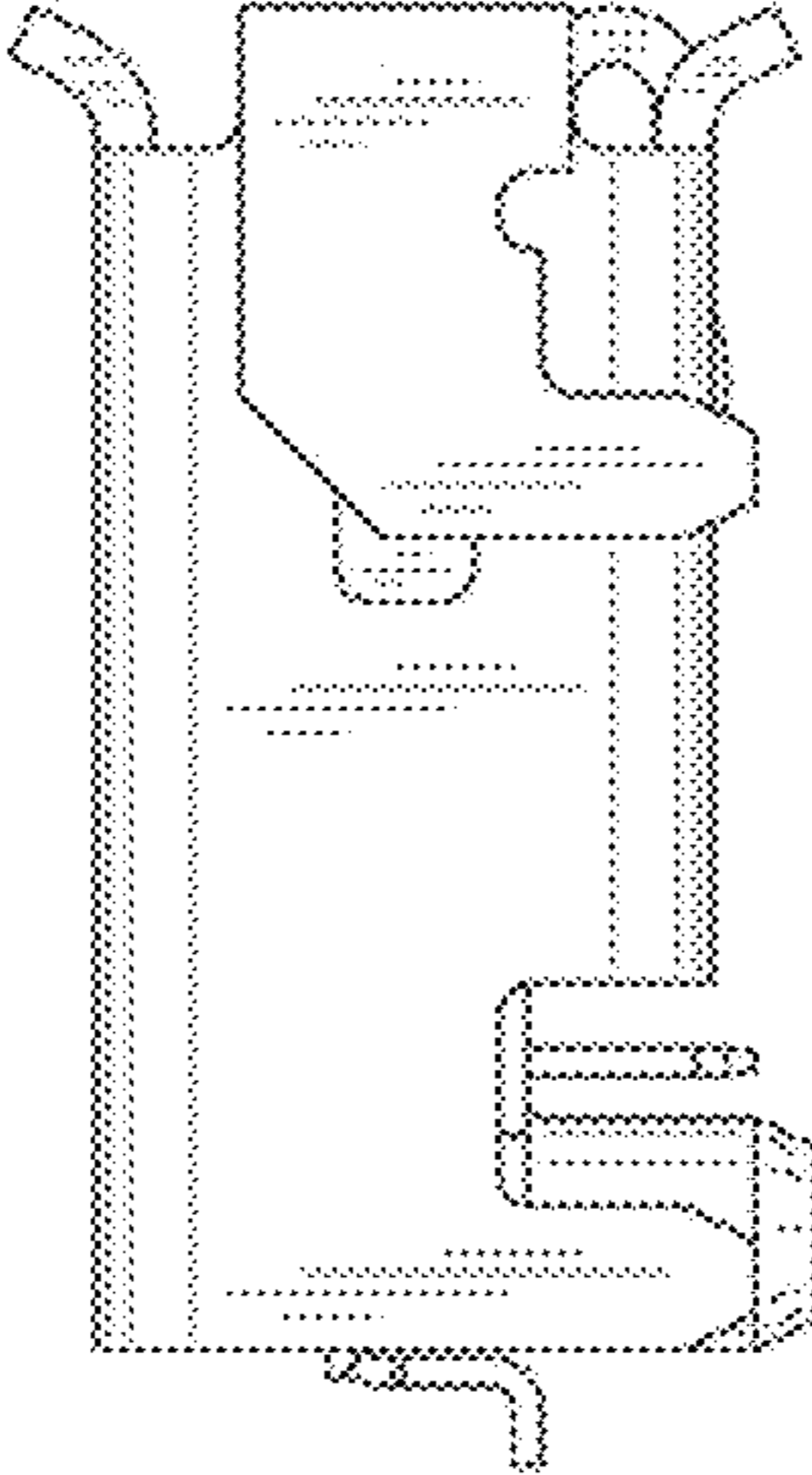


FIG.4

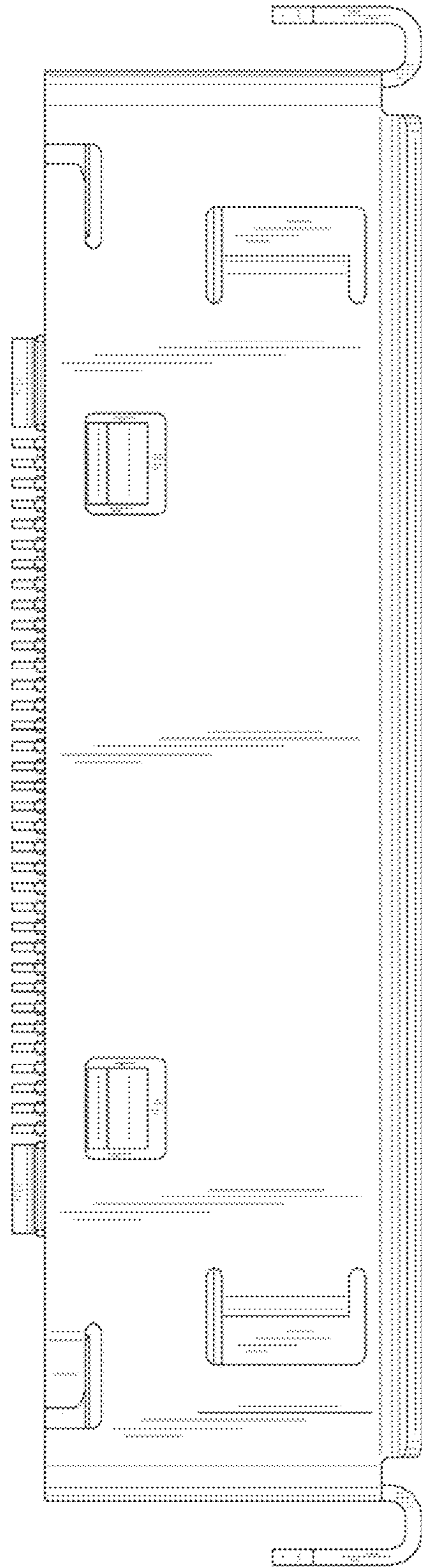


FIG. 5

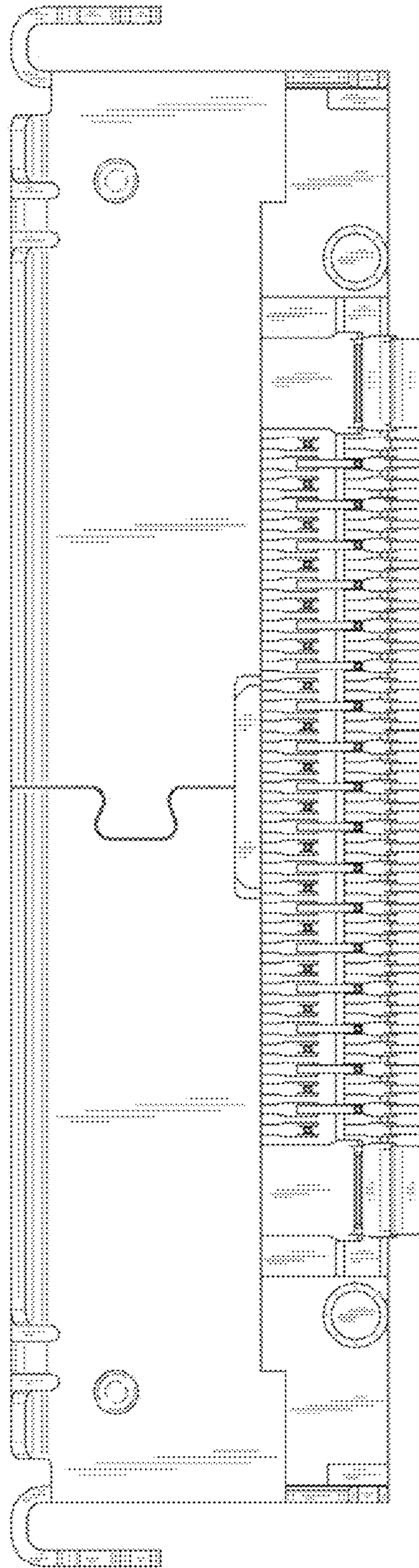


FIG. 6

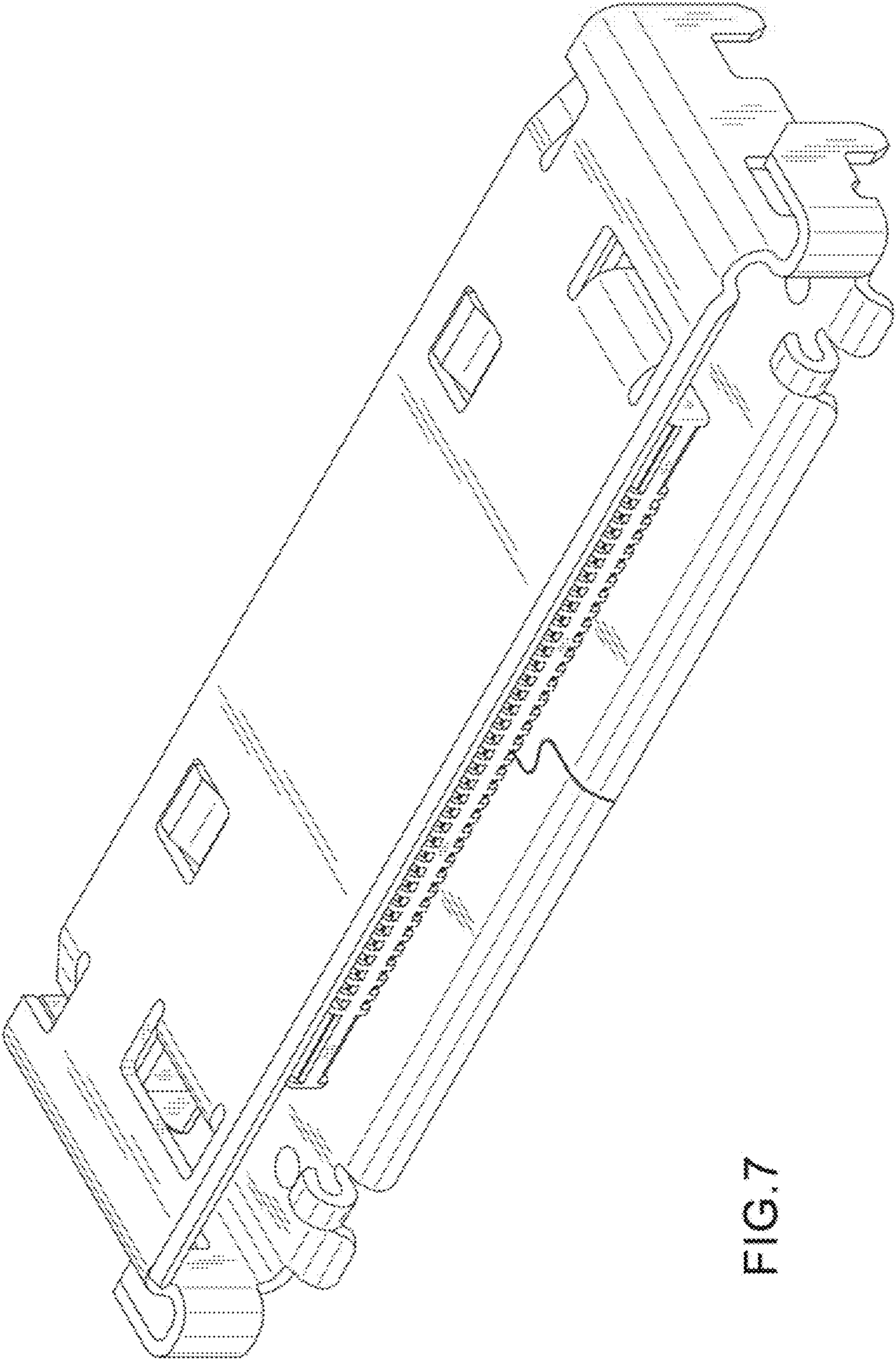


FIG.7

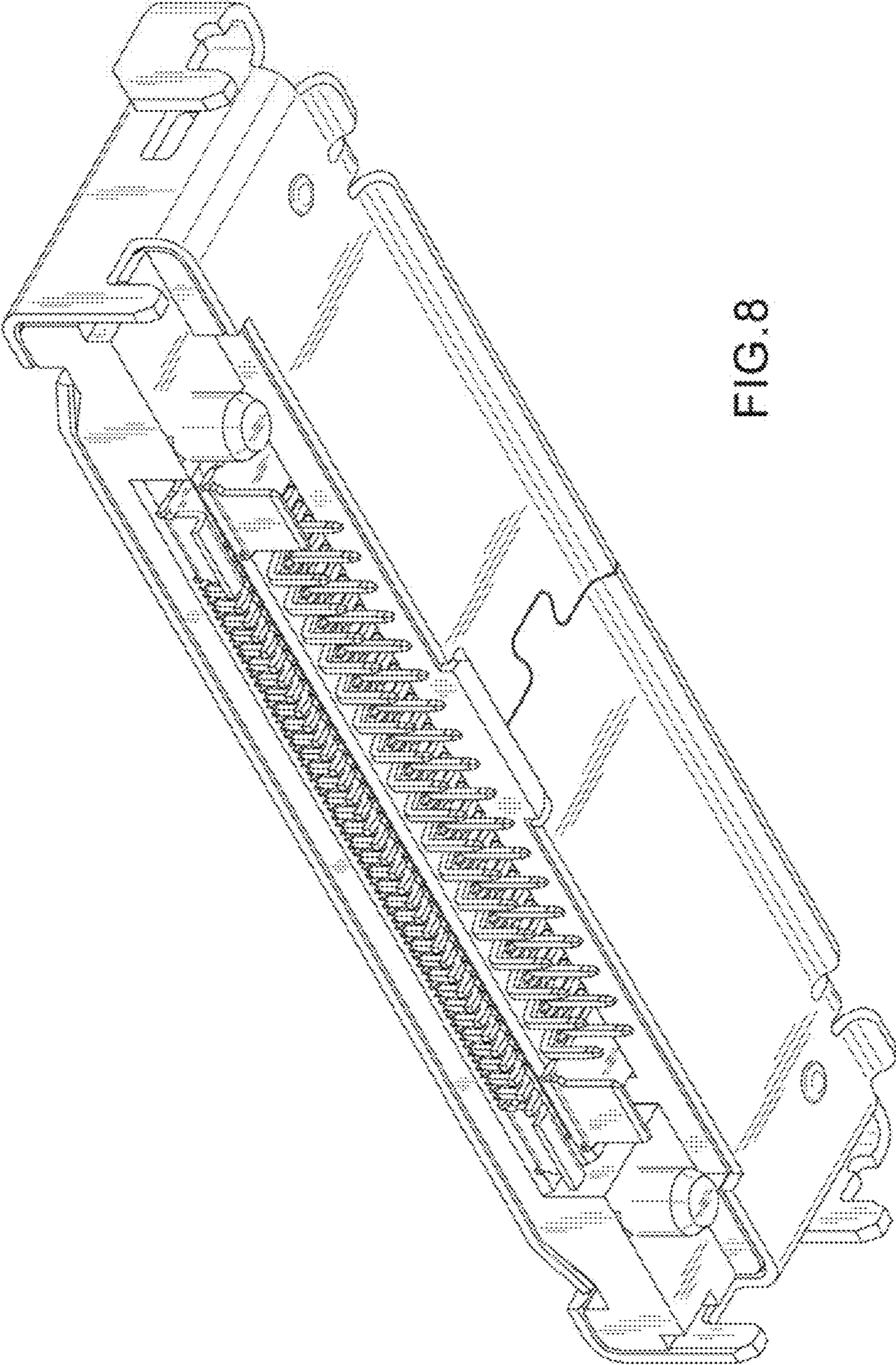


FIG. 8

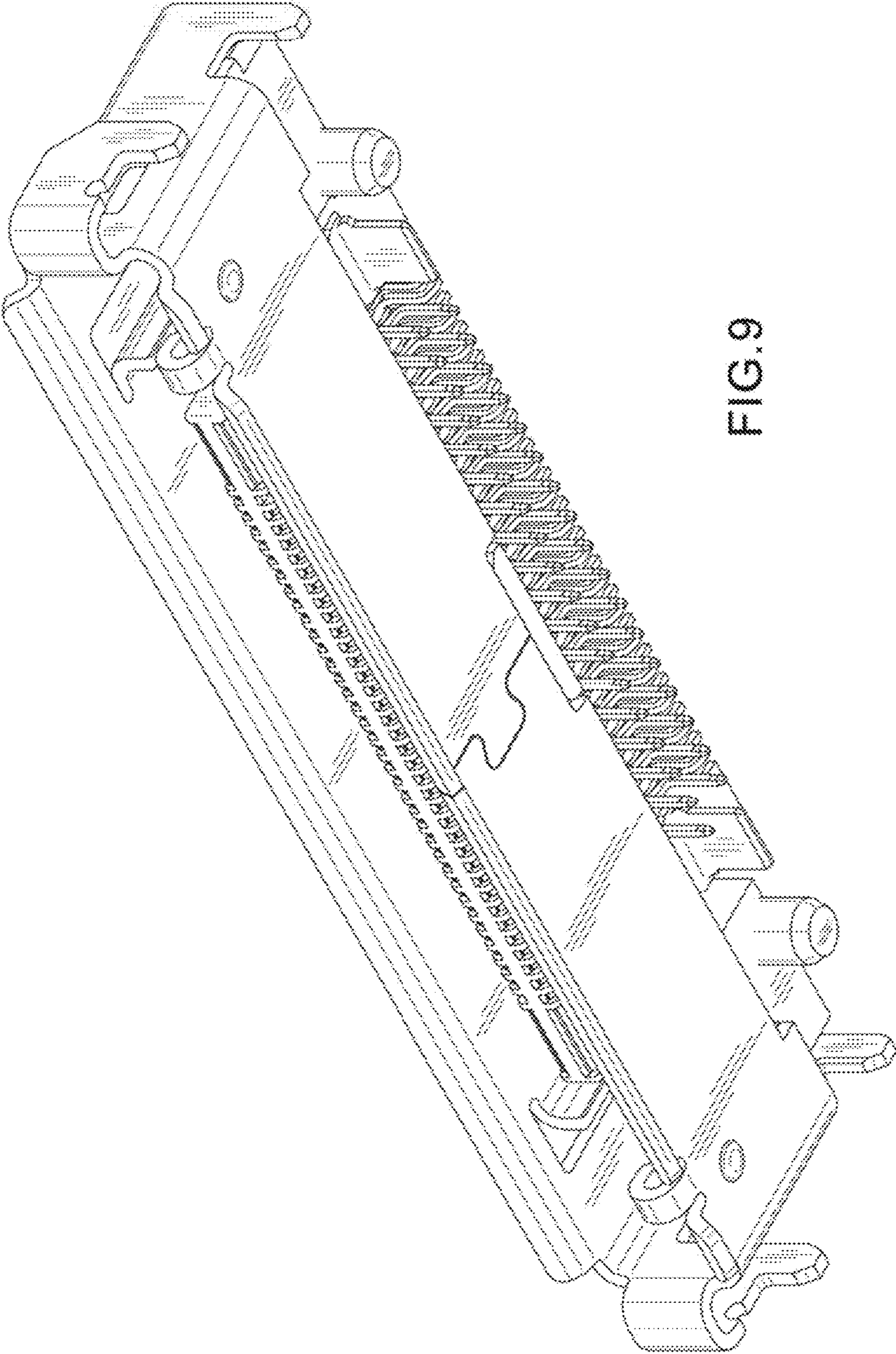


FIG. 9

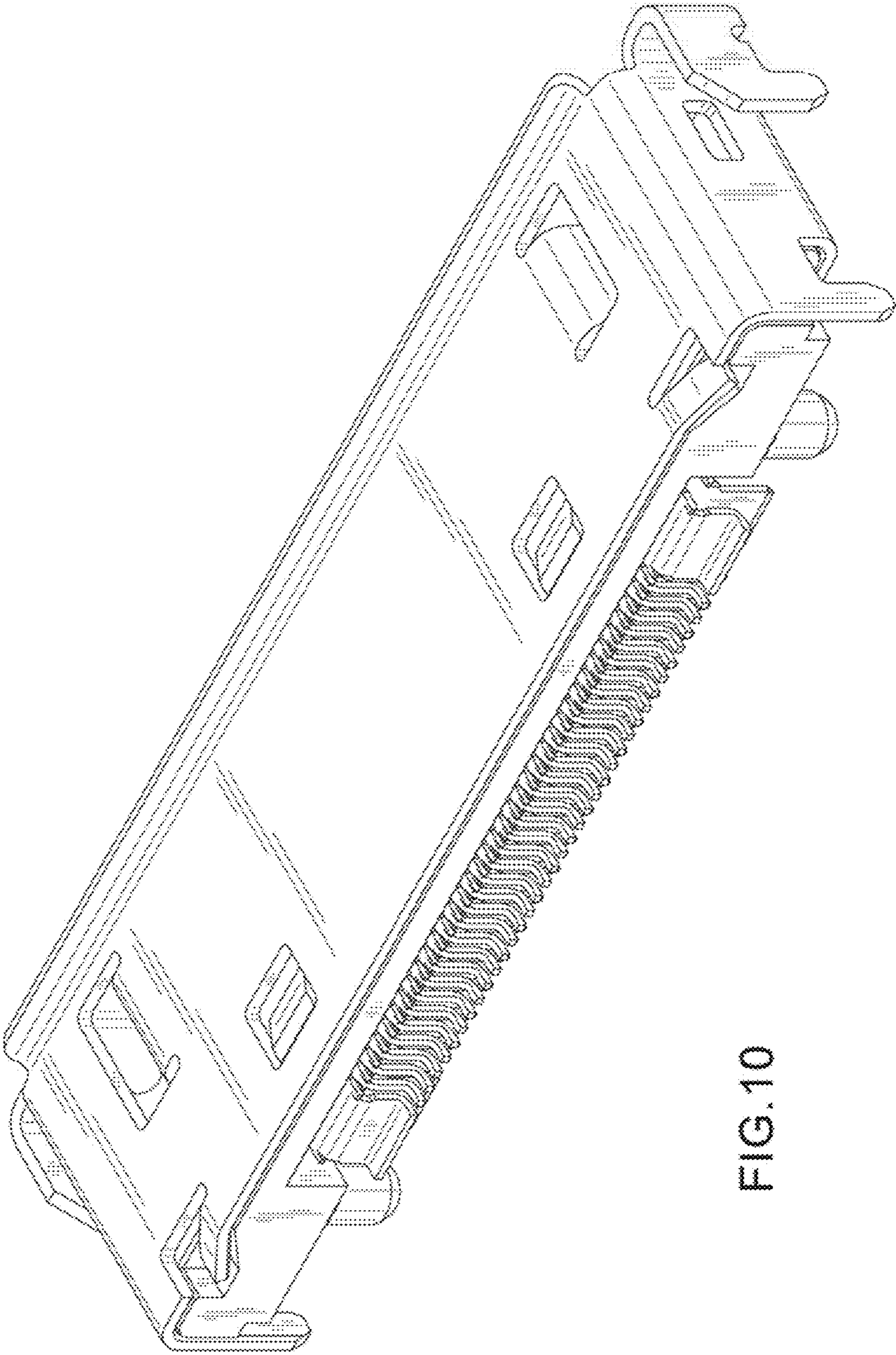


FIG.10