



US00D706717S

(12) **United States Design Patent**
Takahira et al.

(10) **Patent No.:** **US D706,717 S**
(45) **Date of Patent:** **** Jun. 10, 2014**

(54) **RECEPTACLE CONNECTOR**

DESCRIPTION

(71) Applicant: **Yamaichi Electronics Co., Ltd.**, Tokyo (JP)

(72) Inventors: **Hiroshi Takahira**, Tokyo (JP); **Takahiro Shimoyama**, Tokyo (JP)

(73) Assignee: **Yamaichi Electronics Co., Ltd.**, Tokyo (JP)

(**) Term: **14 Years**

(21) Appl. No.: **29/435,811**

(22) Filed: **Oct. 29, 2012**

(30) **Foreign Application Priority Data**

Apr. 2, 2012 (JP) 2012-007717
Apr. 2, 2012 (JP) 2012-007718

(51) **LOC (10) Cl.** **13-03**

(52) **U.S. Cl.**
USPC **D13/147**

(58) **Field of Classification Search**
USPC D13/147, 154, 184, 199; 439/79, 108,
439/180, 246, 374, 378, 488, 527, 529, 530,
439/533, 567, 607.1, 607.4, 607.5, 607.17,
439/607.25, 607.34, 607.41, 607.53, 668,
439/680, 892, 894

See application file for complete search history.

(56) **References Cited**

U.S. PATENT DOCUMENTS

D462,663 S * 9/2002 Hagiwara D13/147
D478,050 S * 8/2003 Nishio et al. D13/147

(Continued)

Primary Examiner — Daniel Bui

(74) *Attorney, Agent, or Firm* — Studebaker & Brackett PC

(57) **CLAIM**

The ornamental design for a receptacle connector, as shown and described.

FIG. 1 is a perspective view of the front, top and right side of a receptacle connector of a first embodiment showing our new design;

FIG. 2 is a perspective view of the rear, top and left side thereof;

FIG. 3 is a perspective view of the rear, bottom and right side thereof;

FIG. 4 is a perspective view of the front, bottom and left side thereof;

FIG. 5 is a front view thereof;

FIG. 6 is a rear view thereof;

FIG. 7 is a left side view thereof;

FIG. 8 is a right side view thereof;

FIG. 9 is a top view thereof;

FIG. 10 is a bottom view thereof;

FIG. 11 is a cross sectional view thereof, taken along line "11-11" of FIG. 5;

FIG. 12 is a perspective view of the front, top and right side of a receptacle connector of a second embodiment showing our new design;

FIG. 13 is a perspective view of the rear, top and left side thereof;

FIG. 14 is a perspective view of the rear, bottom and right side thereof;

FIG. 15 is a perspective view of the front, bottom and left side thereof;

FIG. 16 is a front view thereof;

FIG. 17 is a rear view thereof;

FIG. 18 is a left side view thereof;

FIG. 19 is a right side view thereof;

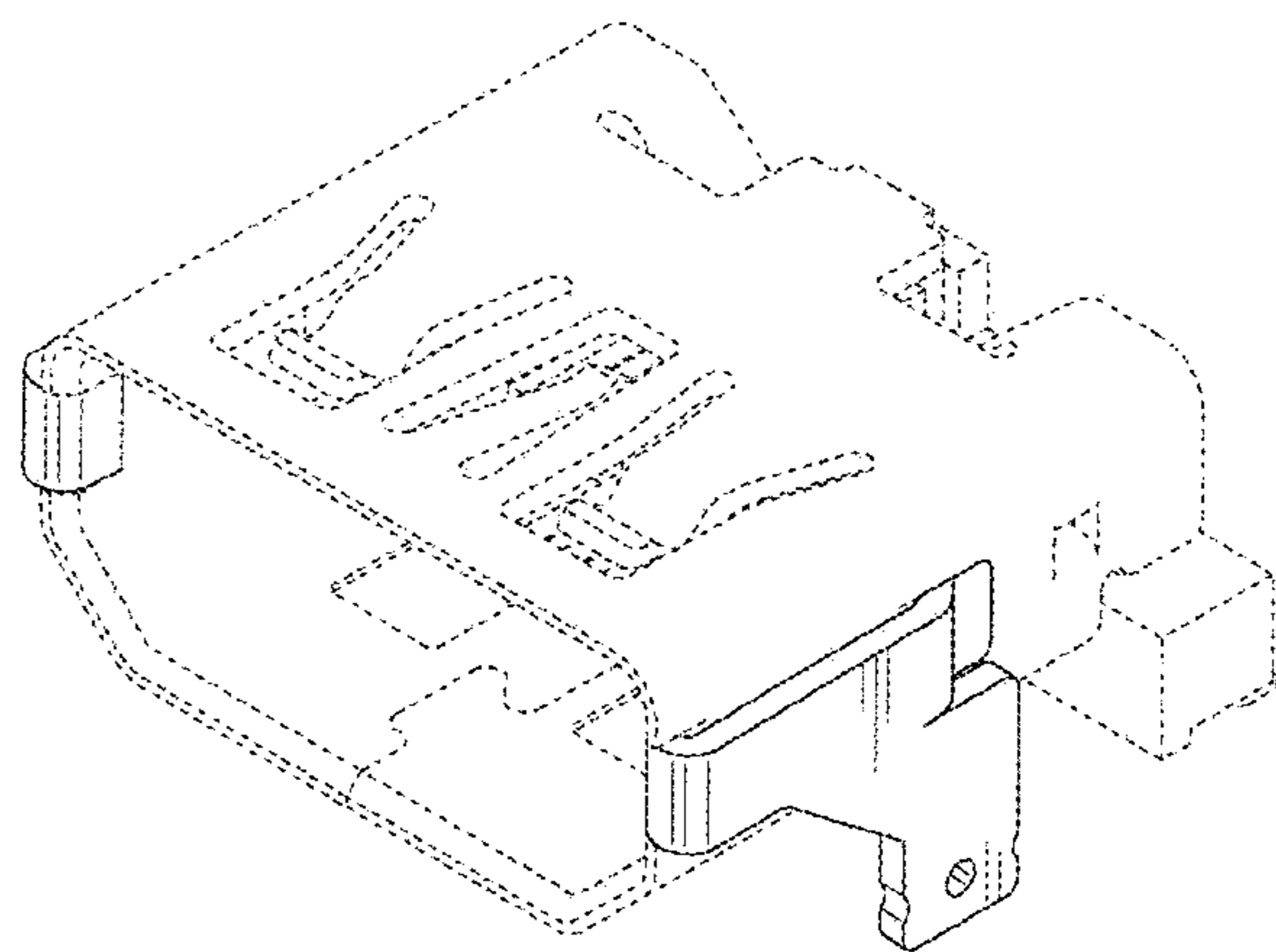
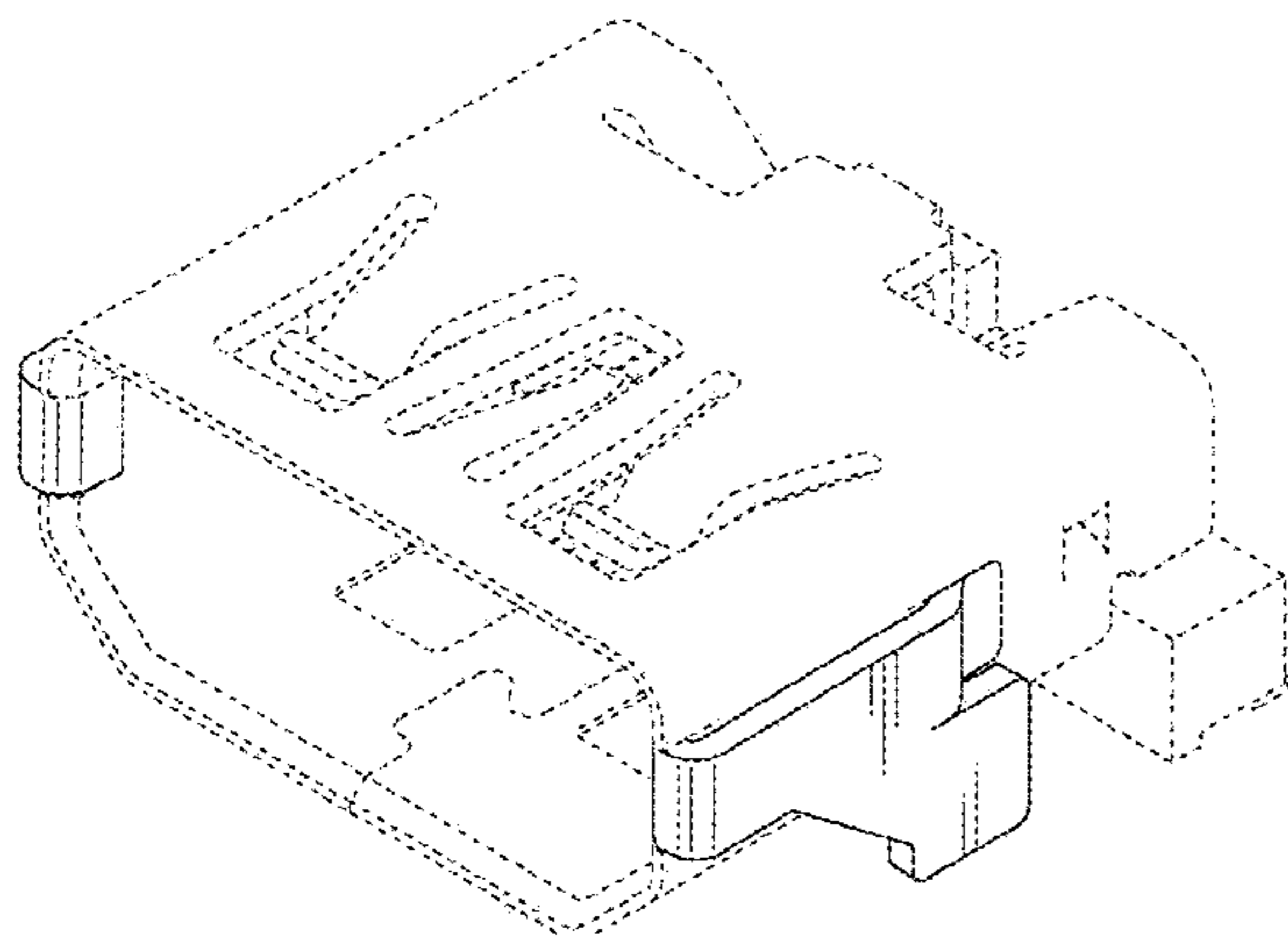
FIG. 20 is a top view thereof;

FIG. 21 is a bottom view thereof; and,

FIG. 22 is a cross sectional view thereof, taken along line "22-22" of FIG. 16.

The broken line portion in the figure drawings is included for the purpose of illustrating environment and forms no part of the claimed design.

1 Claim, 16 Drawing Sheets



(56)

References Cited

U.S. PATENT DOCUMENTS

D480,685 S * 10/2003 Hagiwara D13/147
D481,681 S * 11/2003 Takahashi D13/147
D509,192 S * 9/2005 Chen D13/147
D523,400 S * 6/2006 Shang-Yen et al. D13/147

D523,813 S * 6/2006 He et al. D13/147
D618,625 S * 6/2010 Nagata et al. D13/147
D637,558 S * 5/2011 Wada et al. D13/147
D637,958 S * 5/2011 Asano et al. D13/147
D639,245 S * 6/2011 Wada et al. D13/147

* cited by examiner

Fig. 1

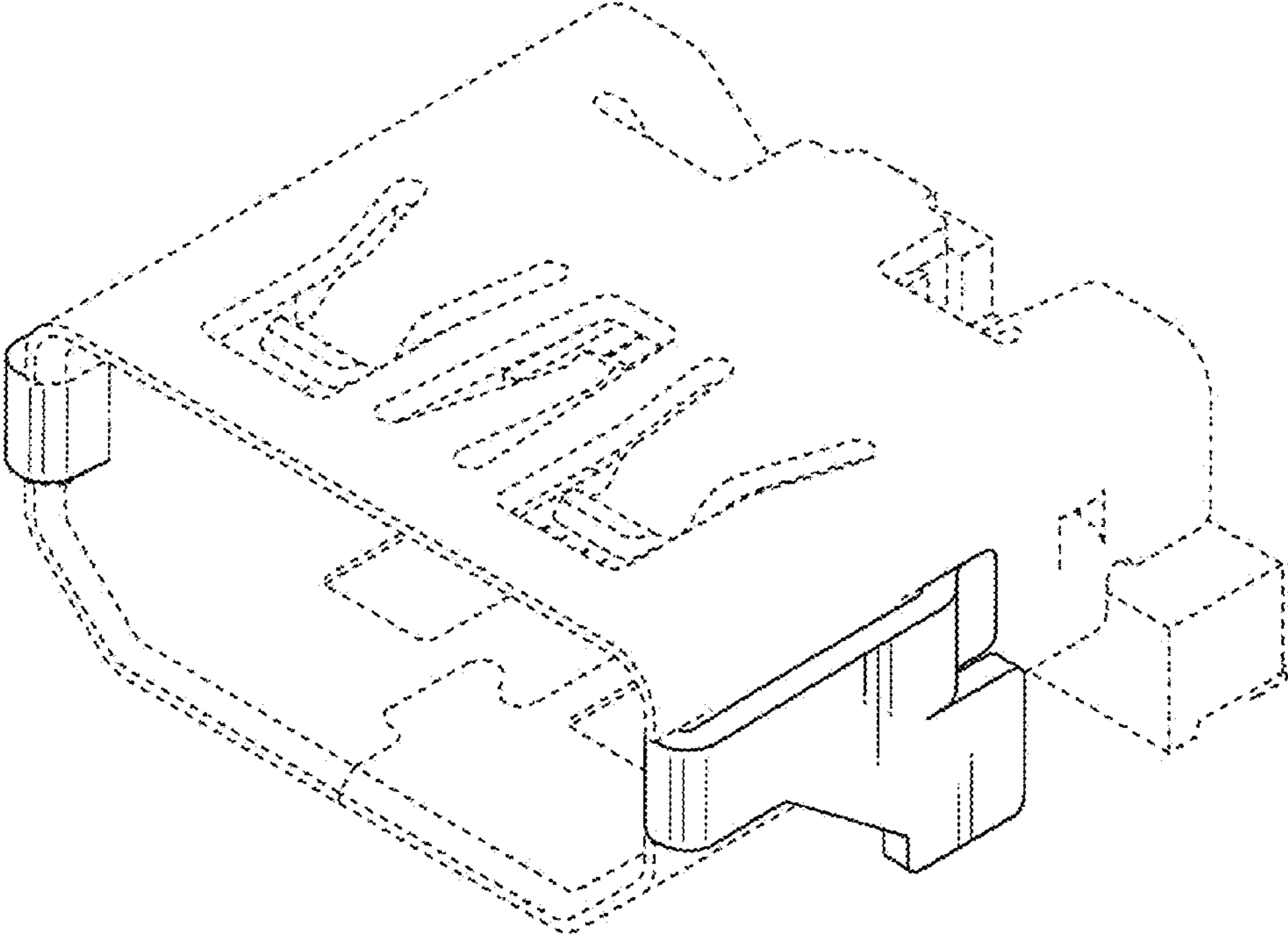


Fig. 2

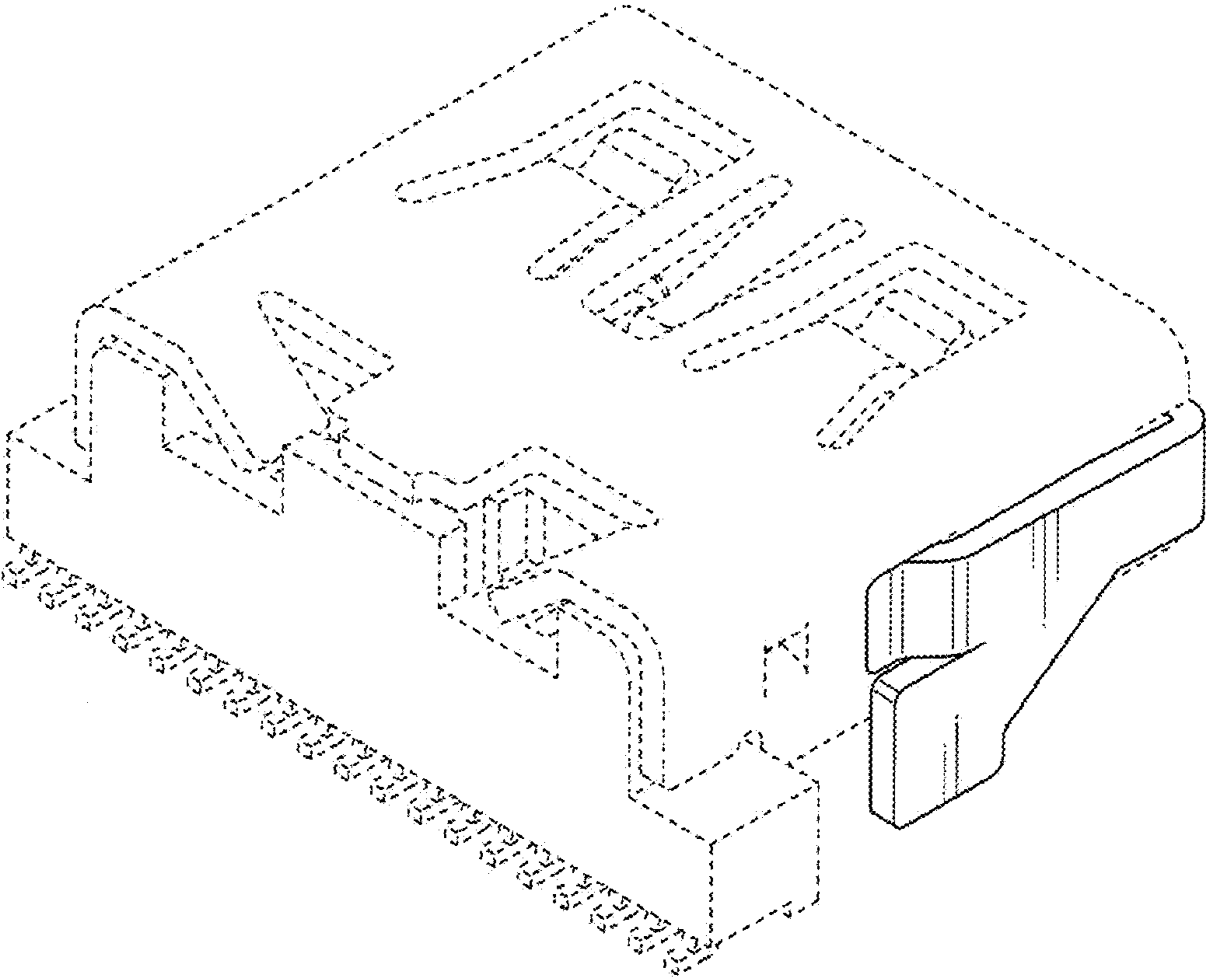


Fig. 3

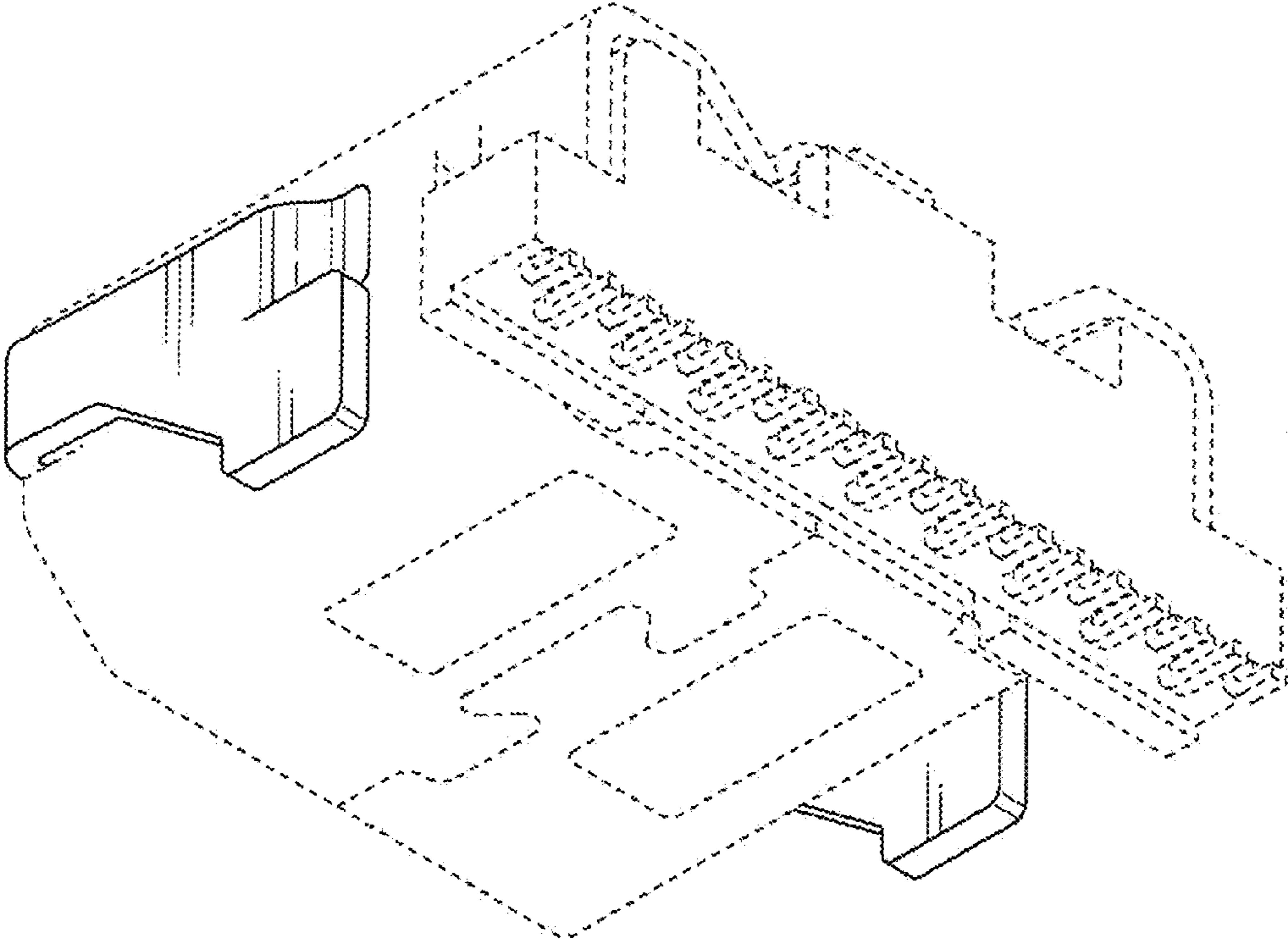


Fig. 4

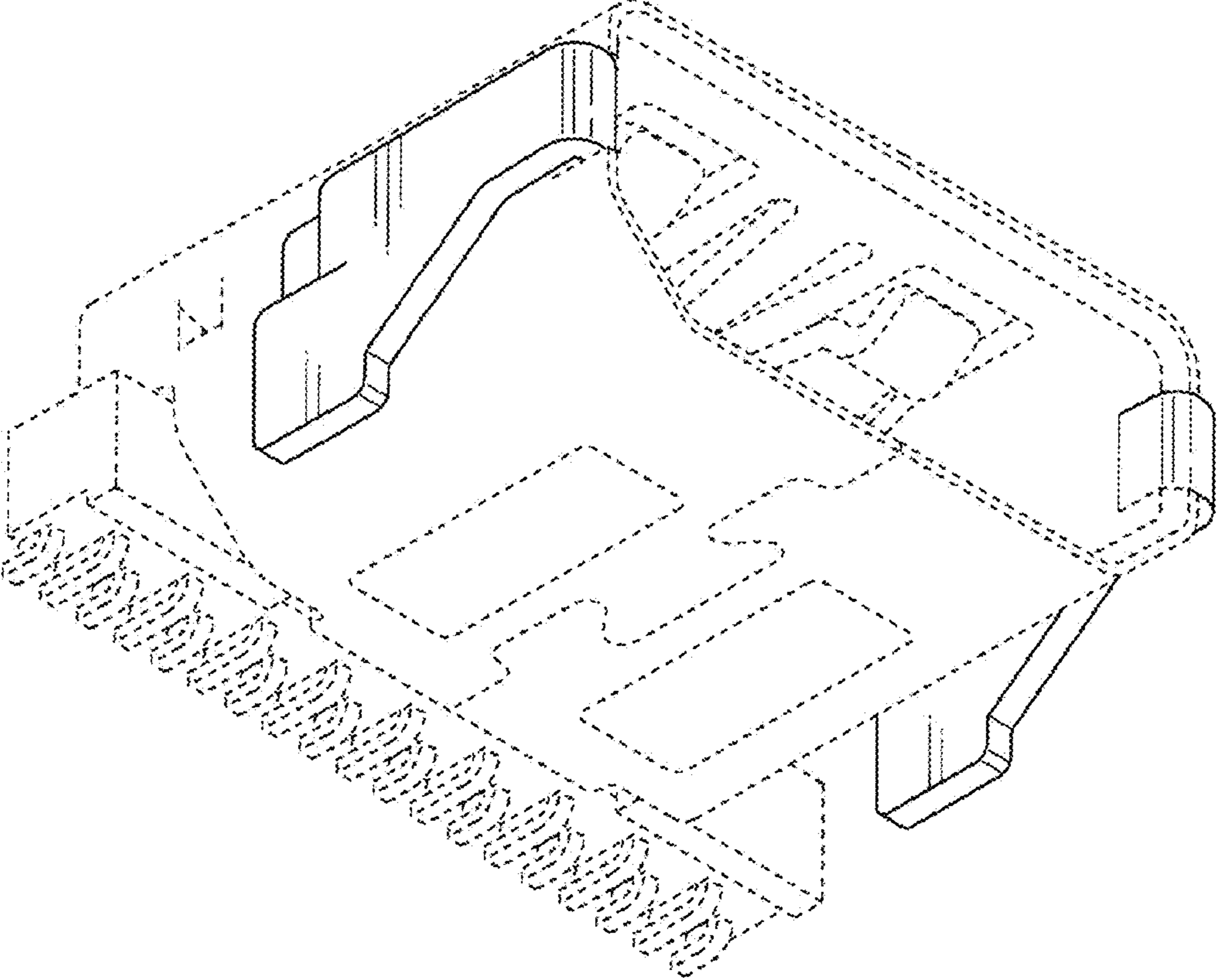


Fig. 5

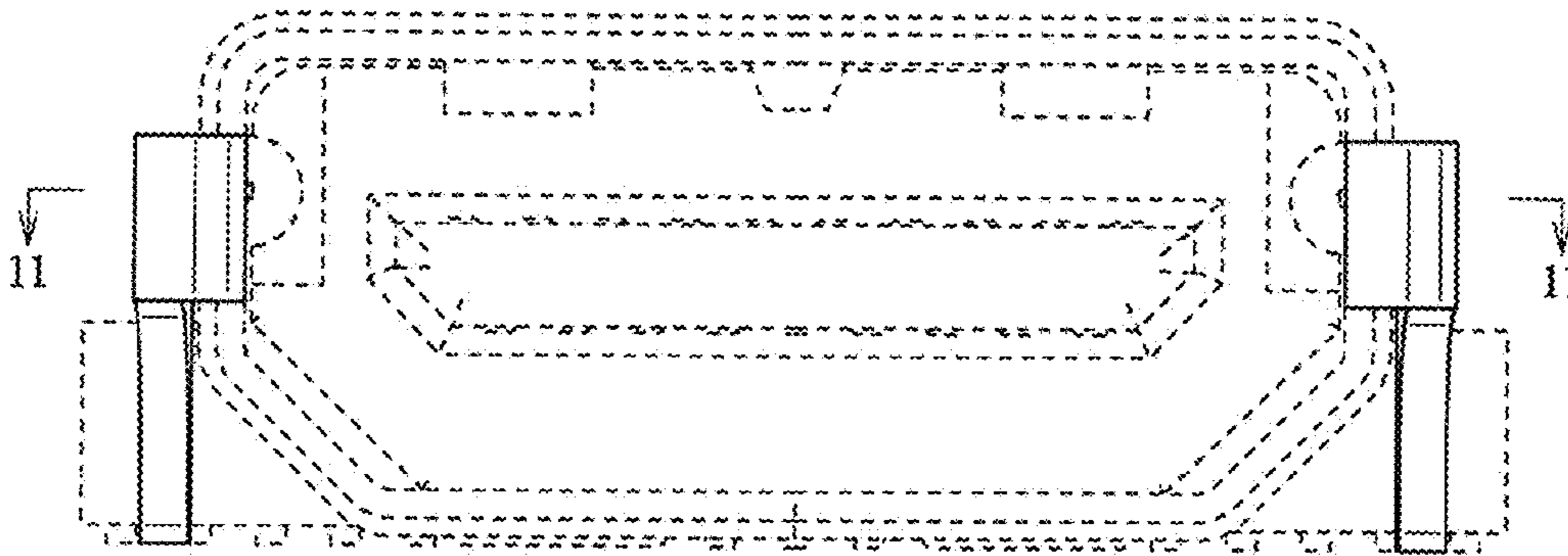


Fig. 6

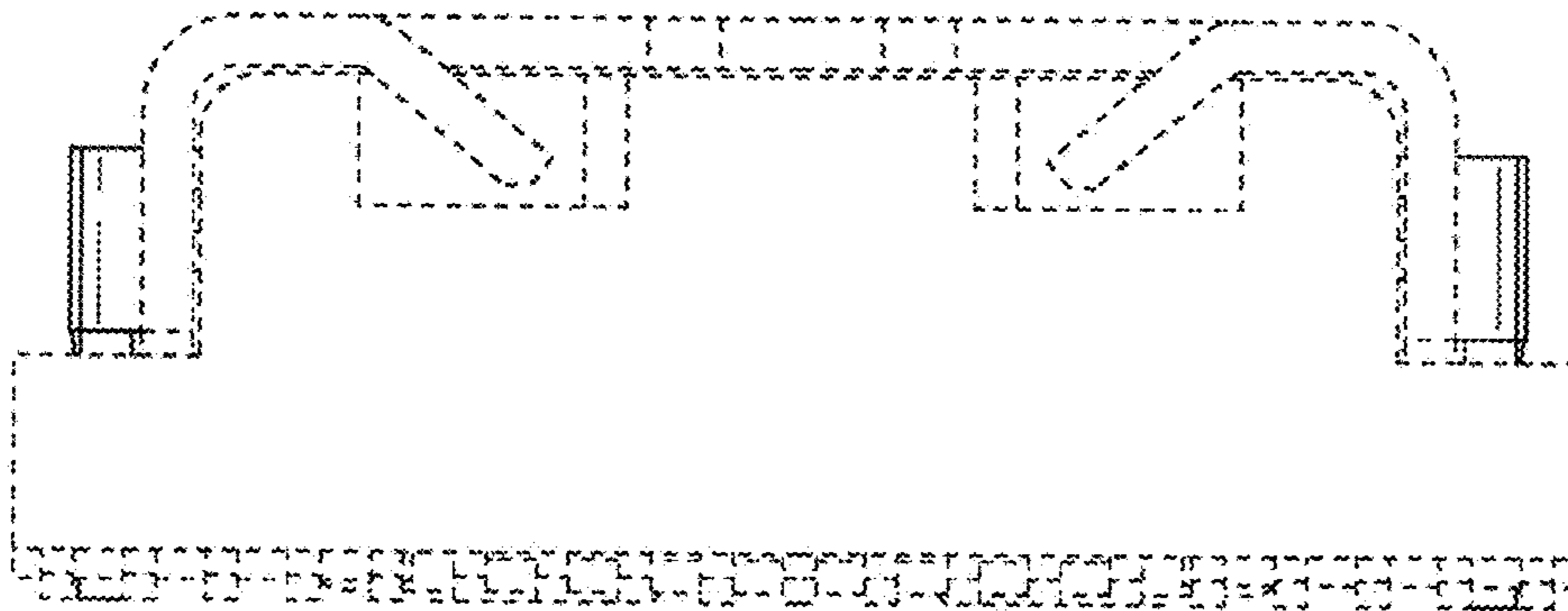


Fig. 7

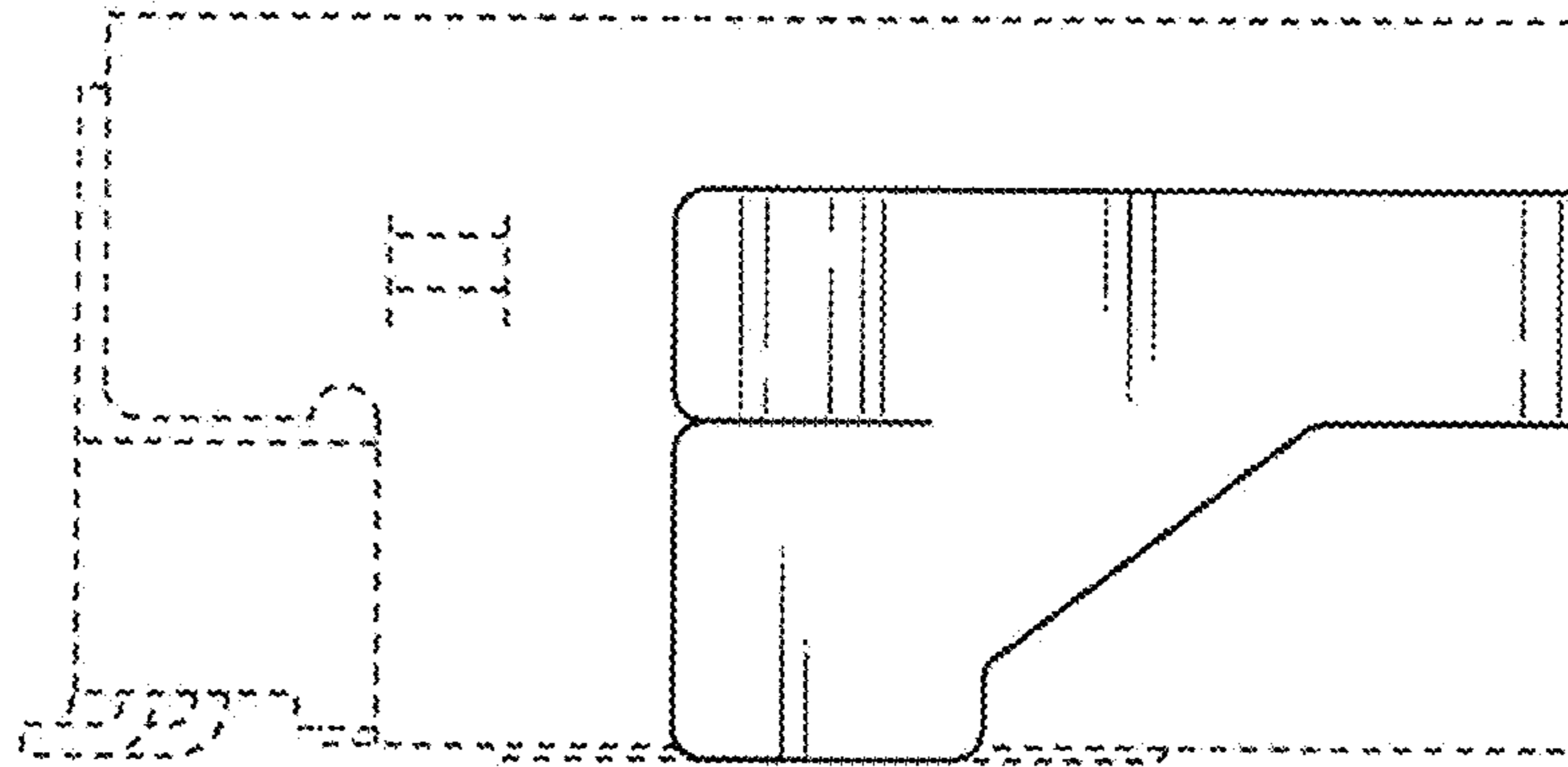


Fig. 8

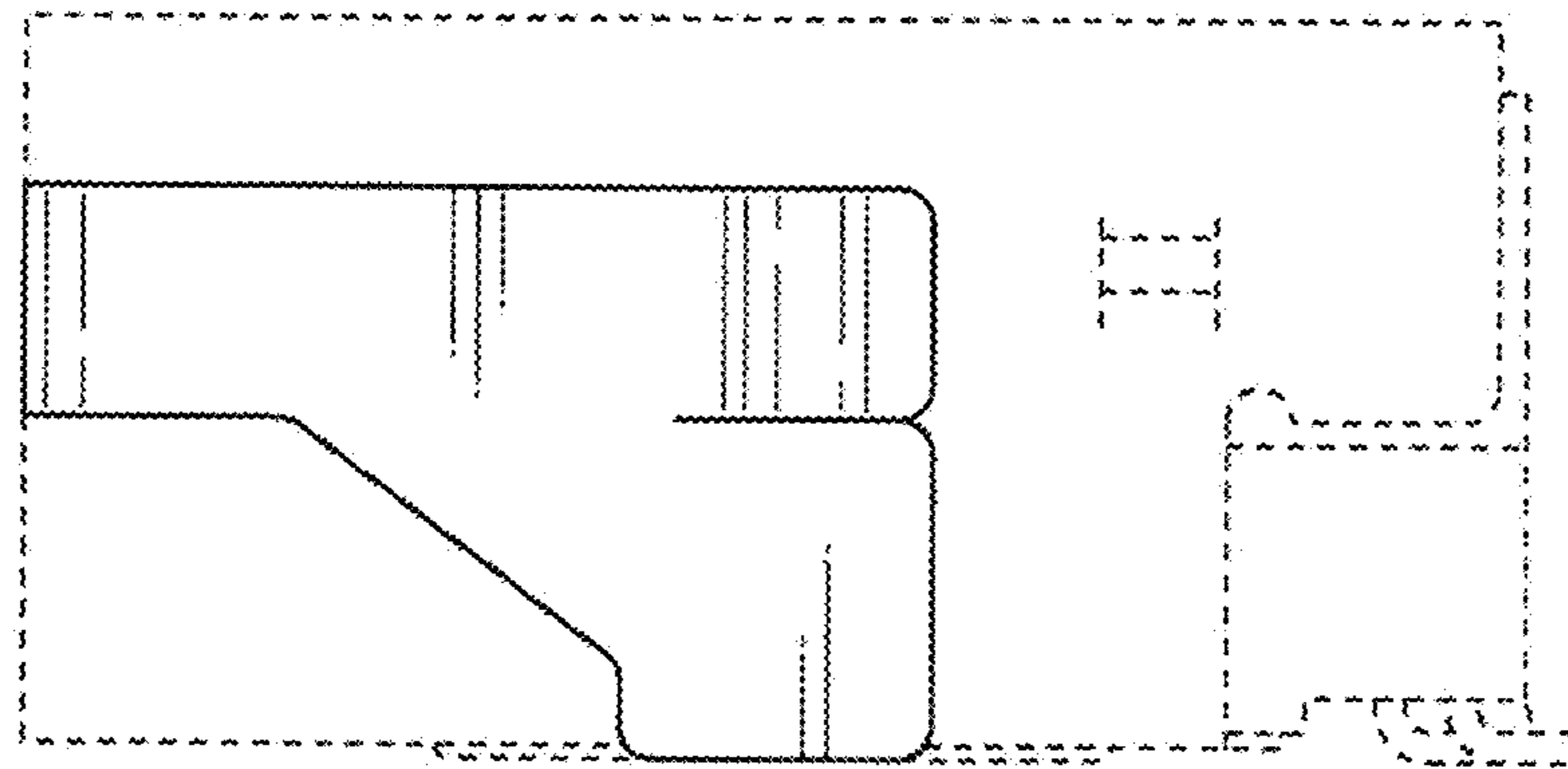


Fig. 9

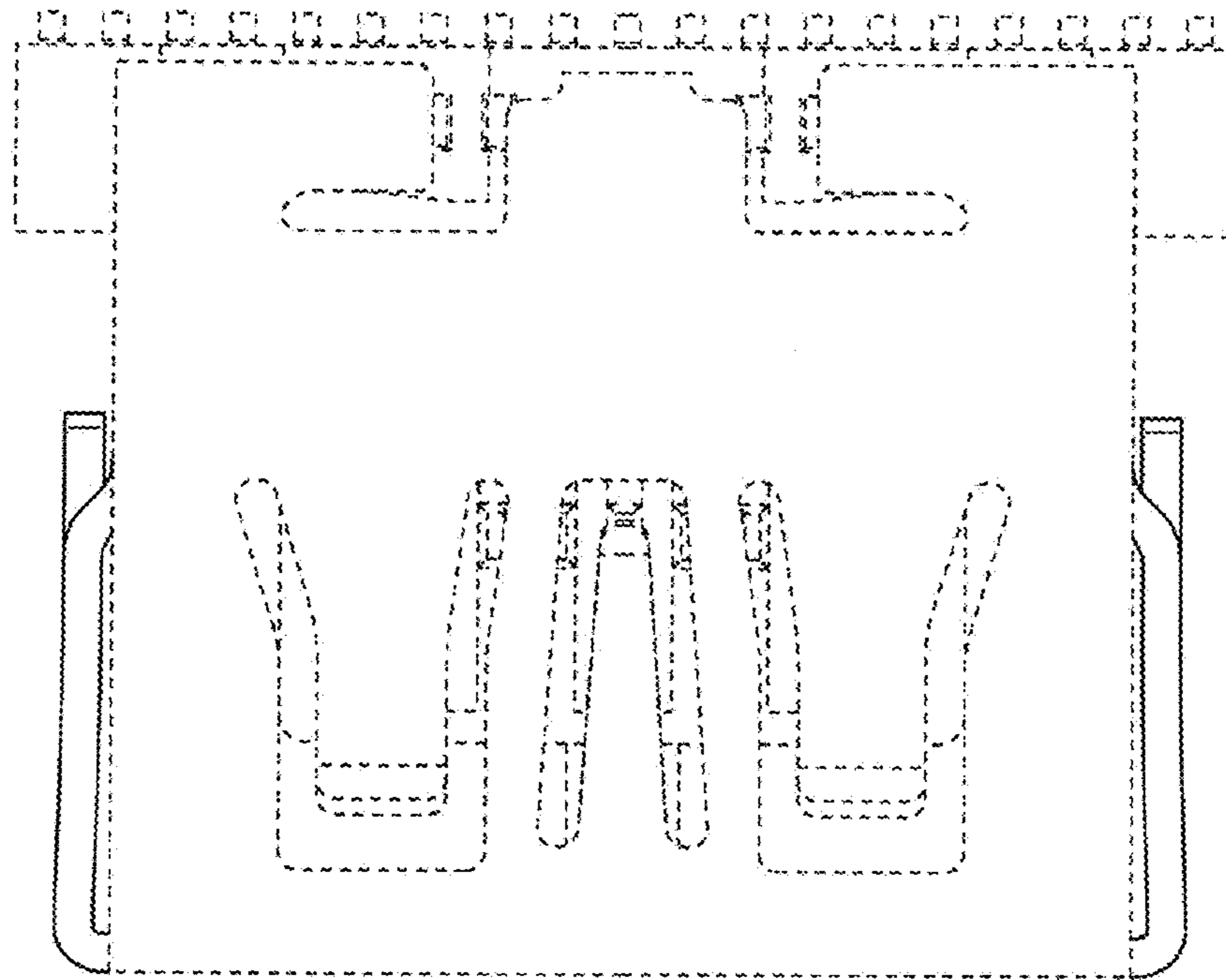


Fig. 10

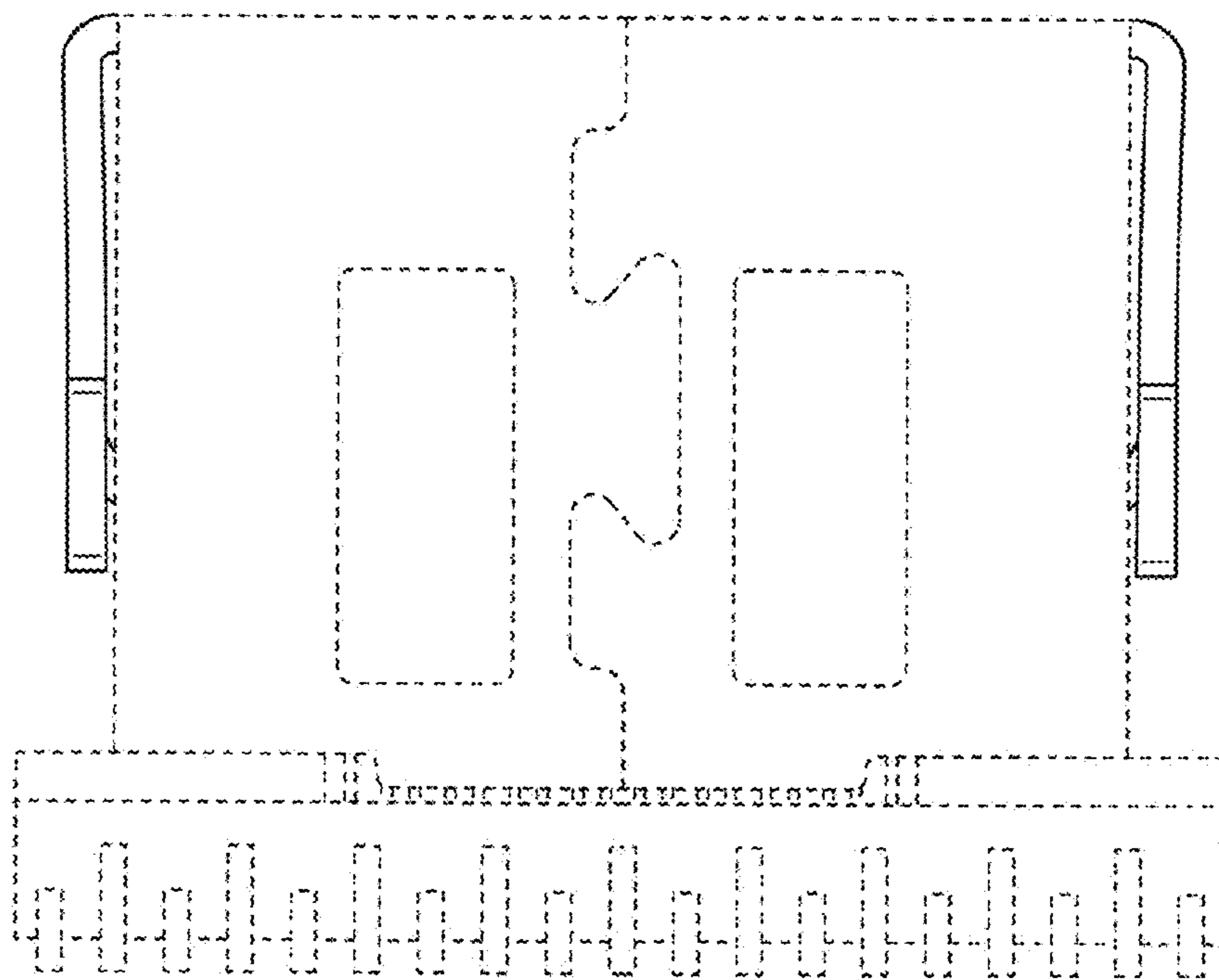


Fig. 11

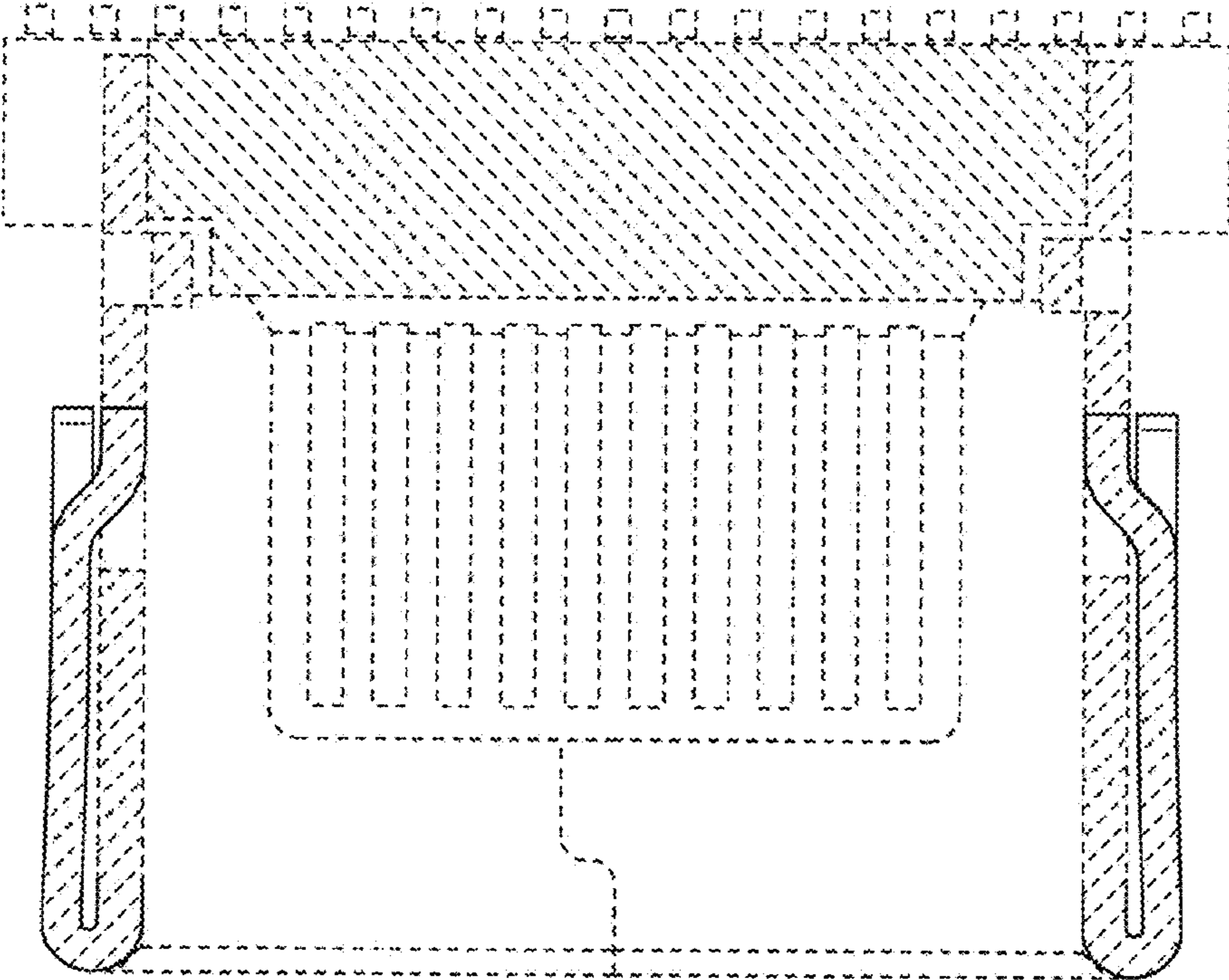


Fig. 12

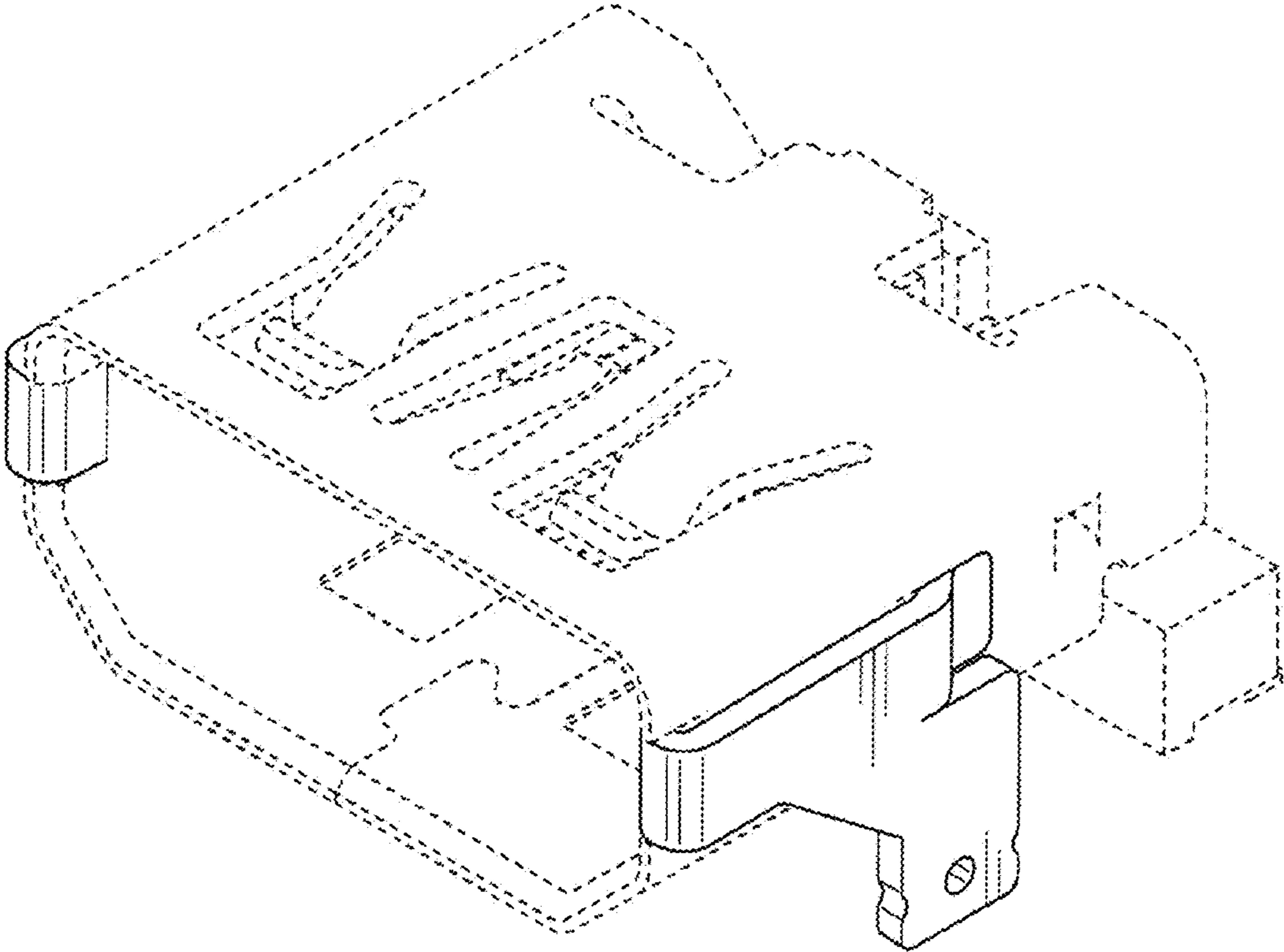


Fig. 13

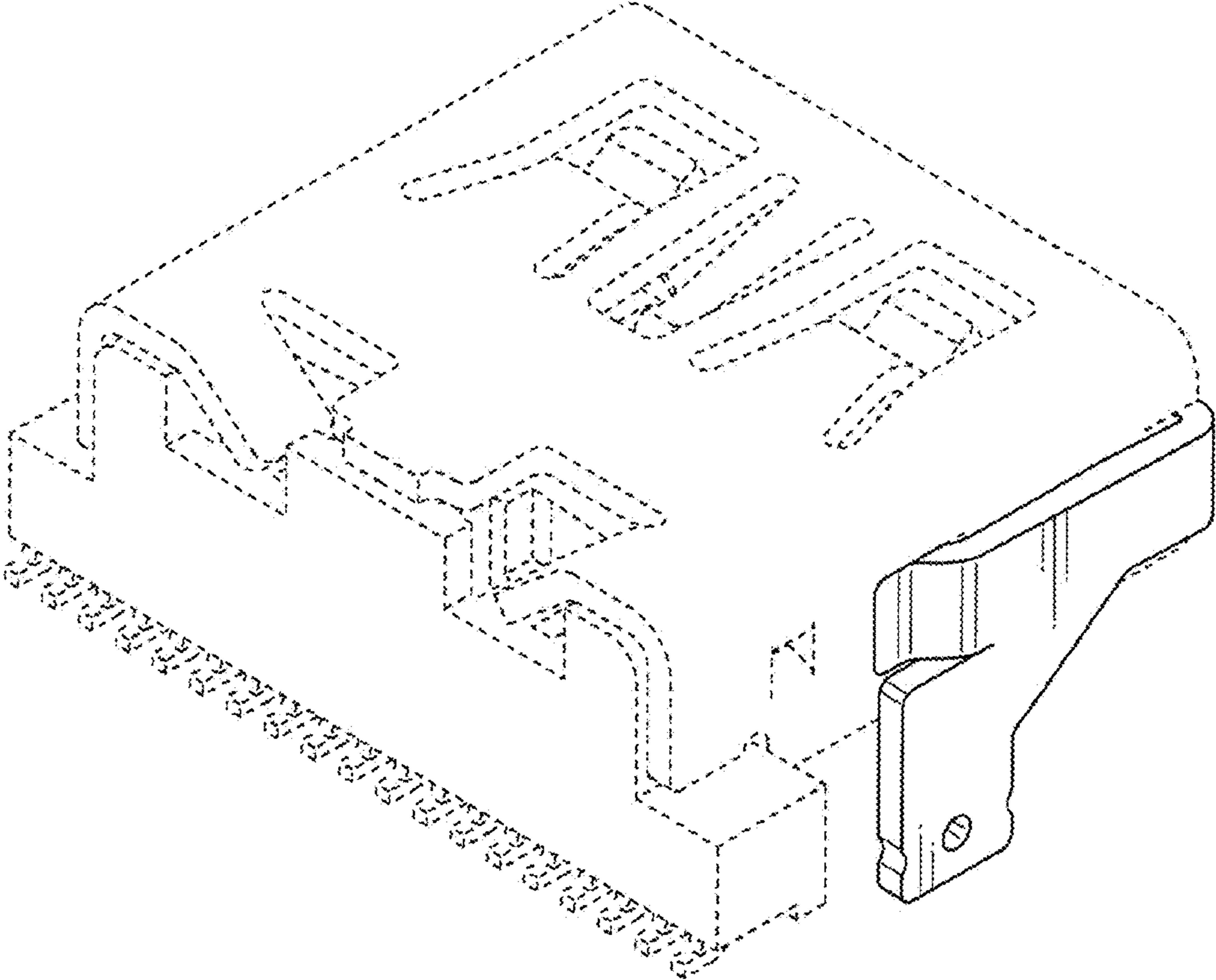


Fig. 14

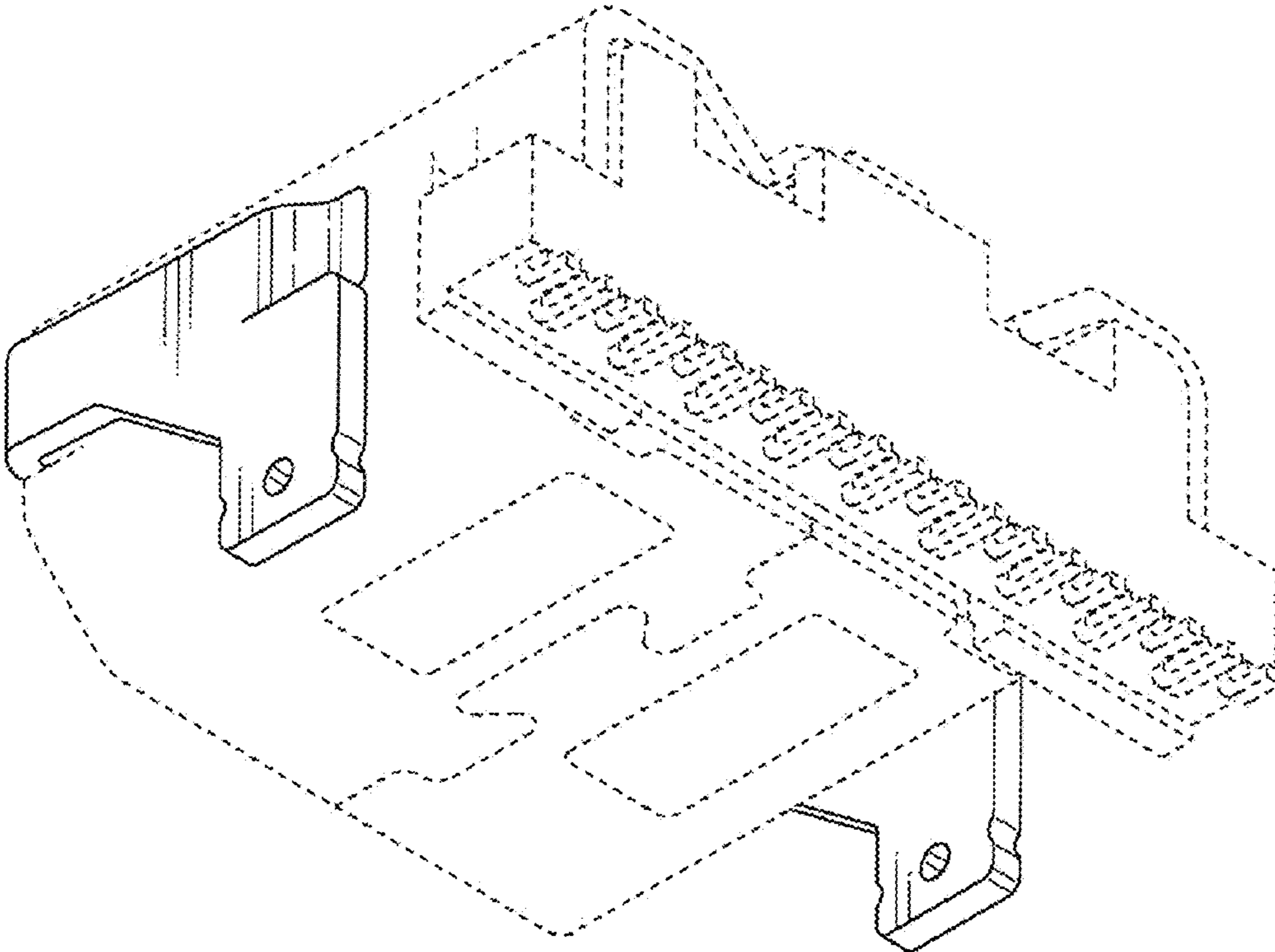


Fig. 15

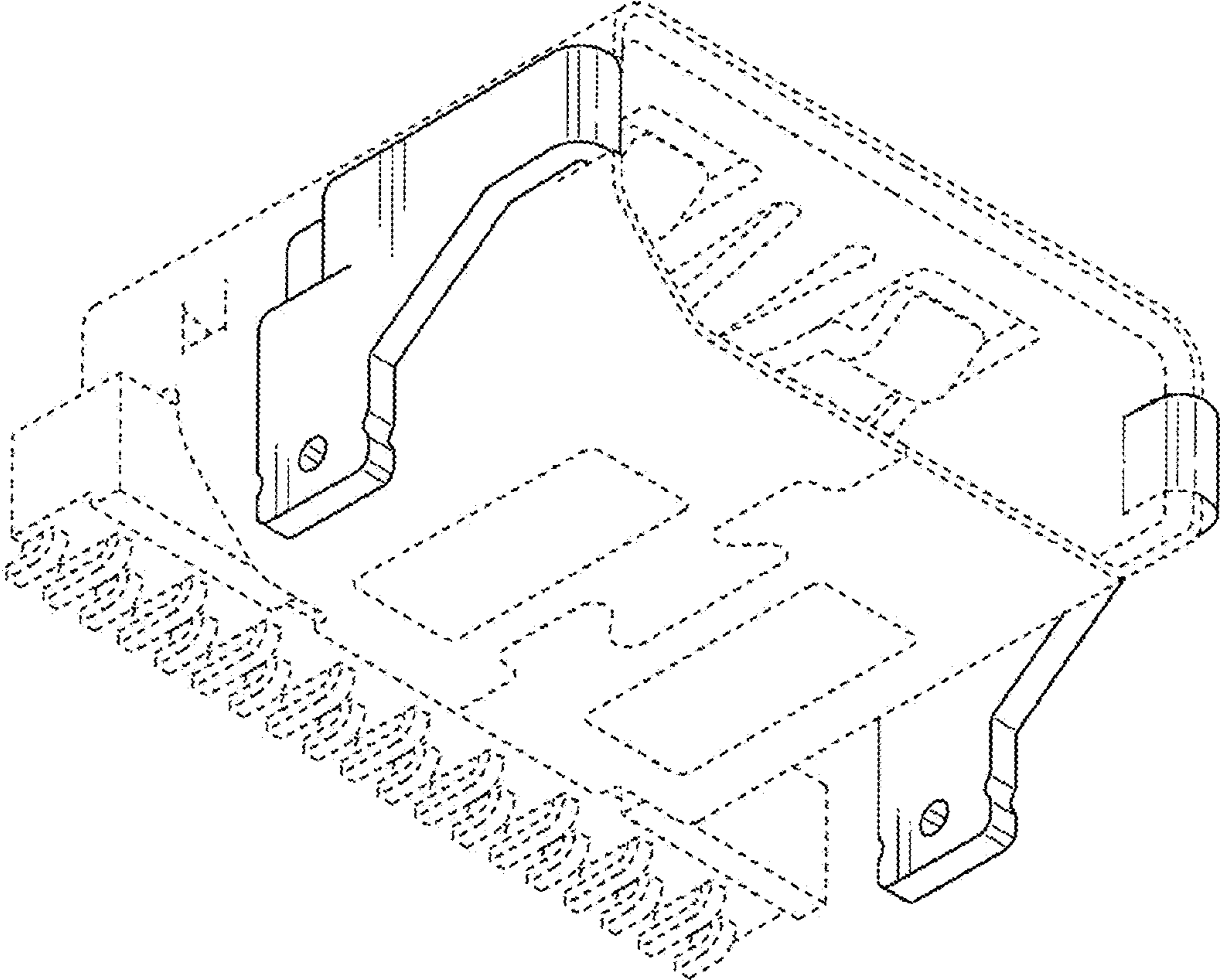


Fig. 16

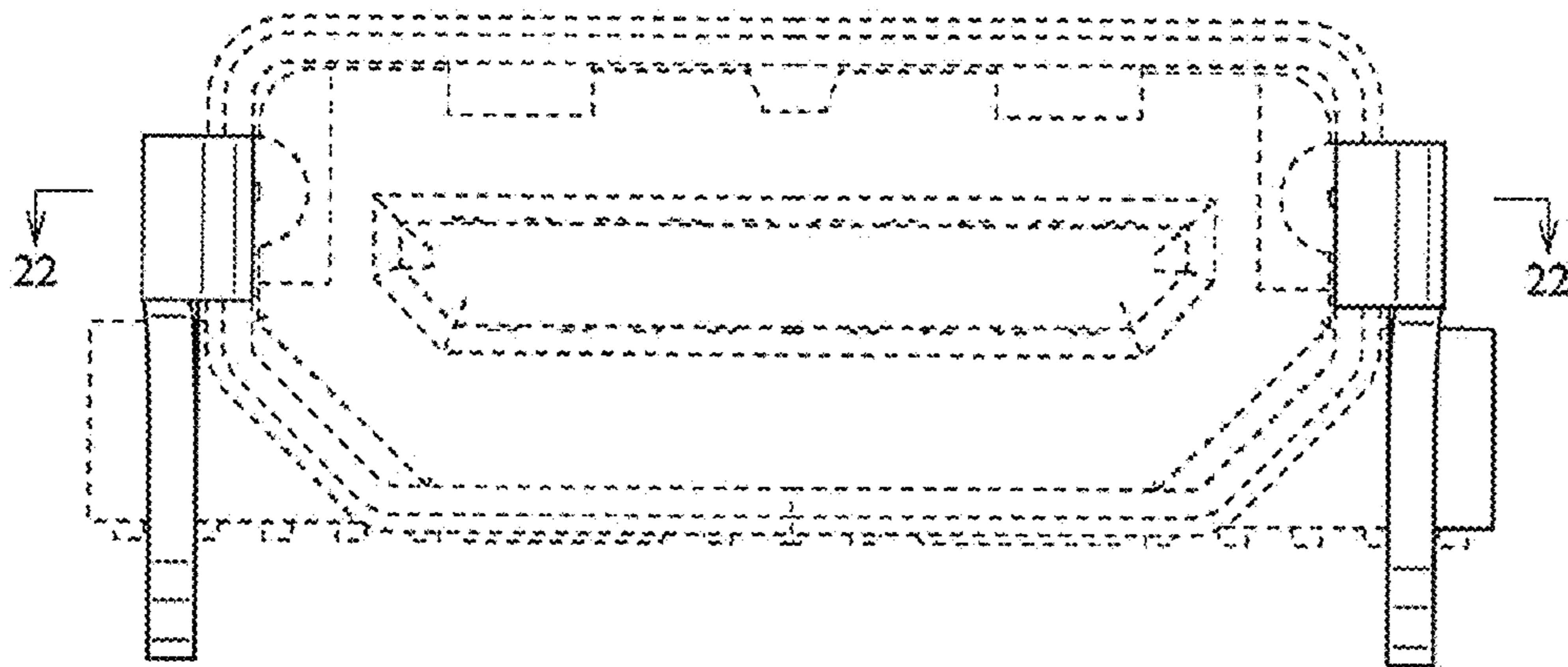


Fig. 17

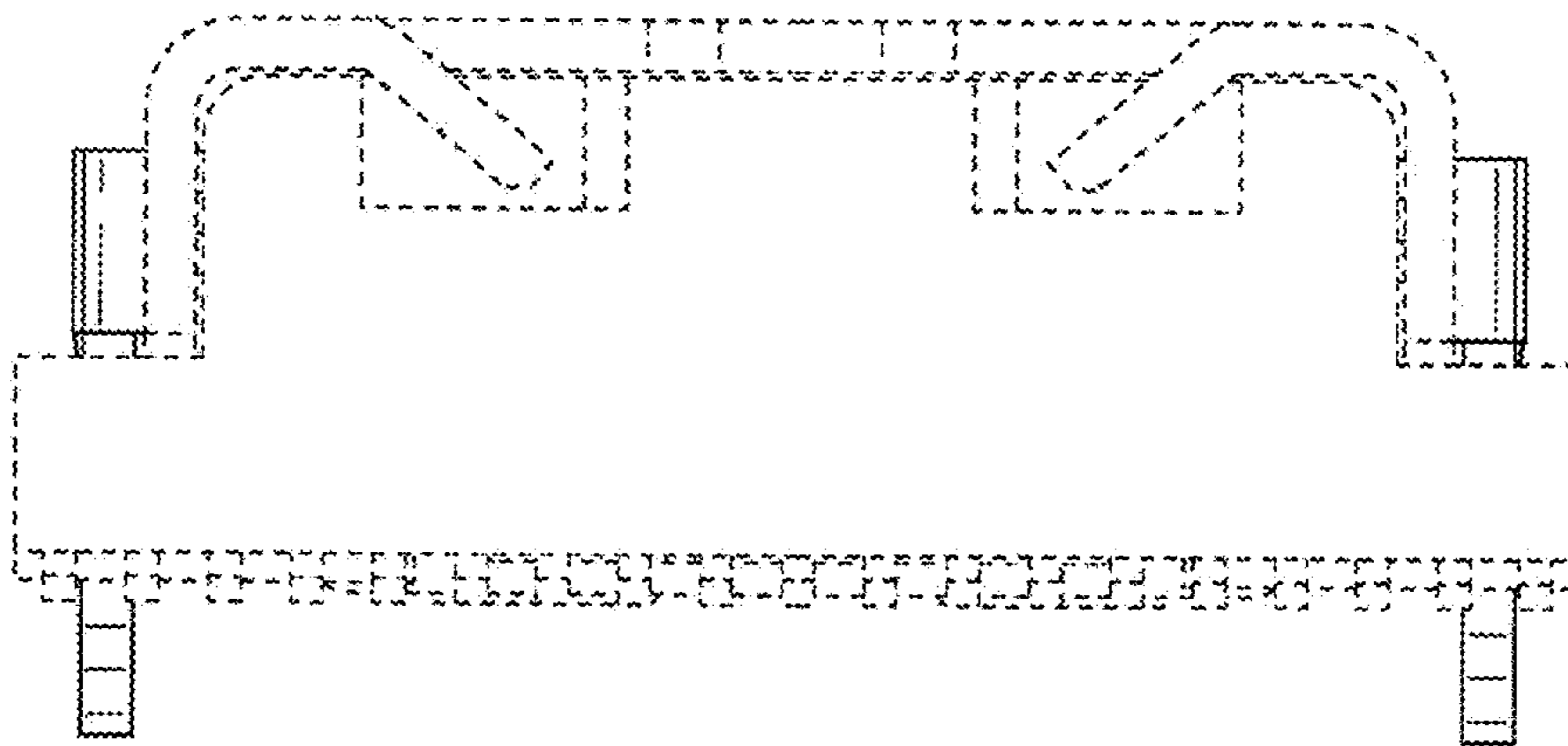


Fig. 18

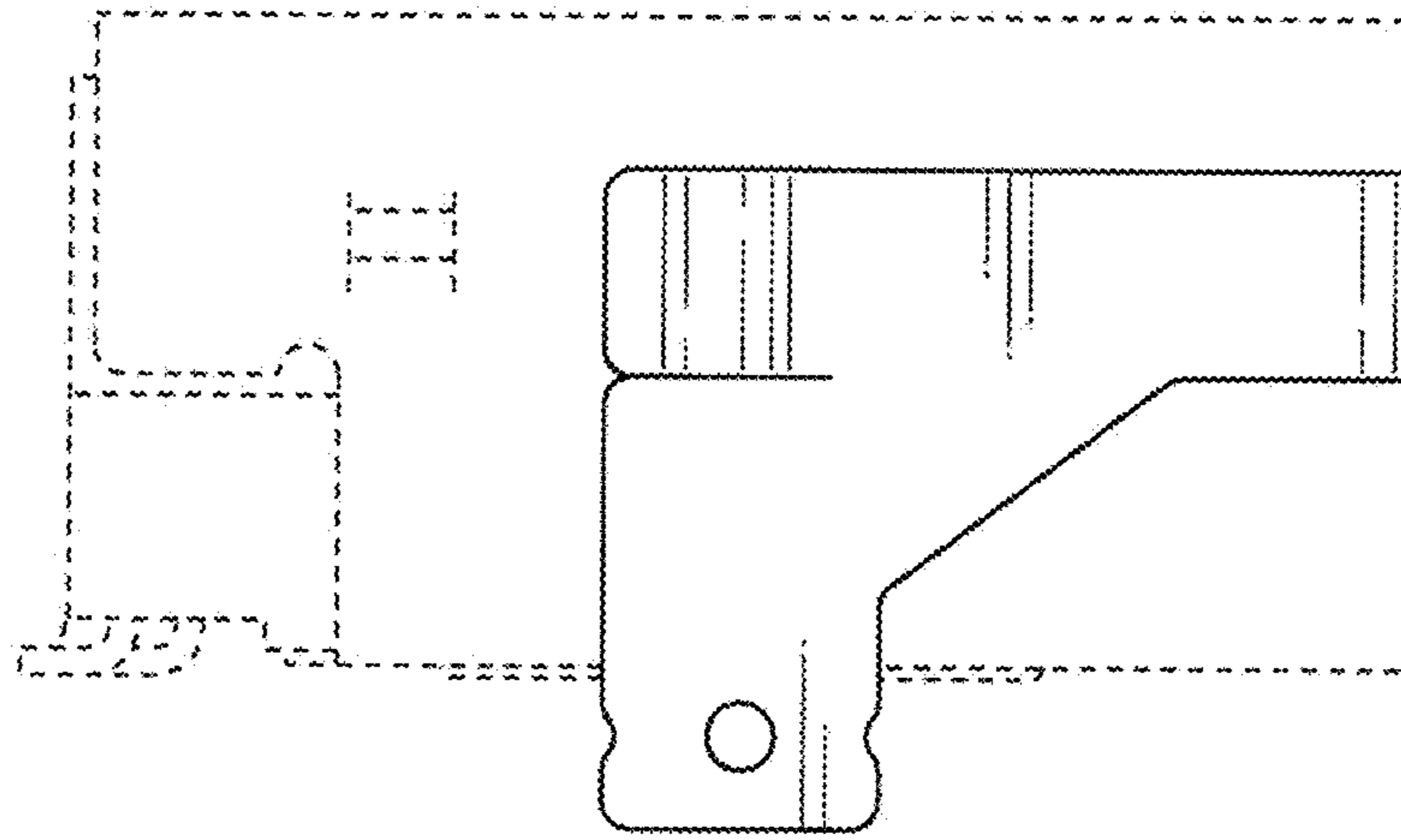


Fig. 19

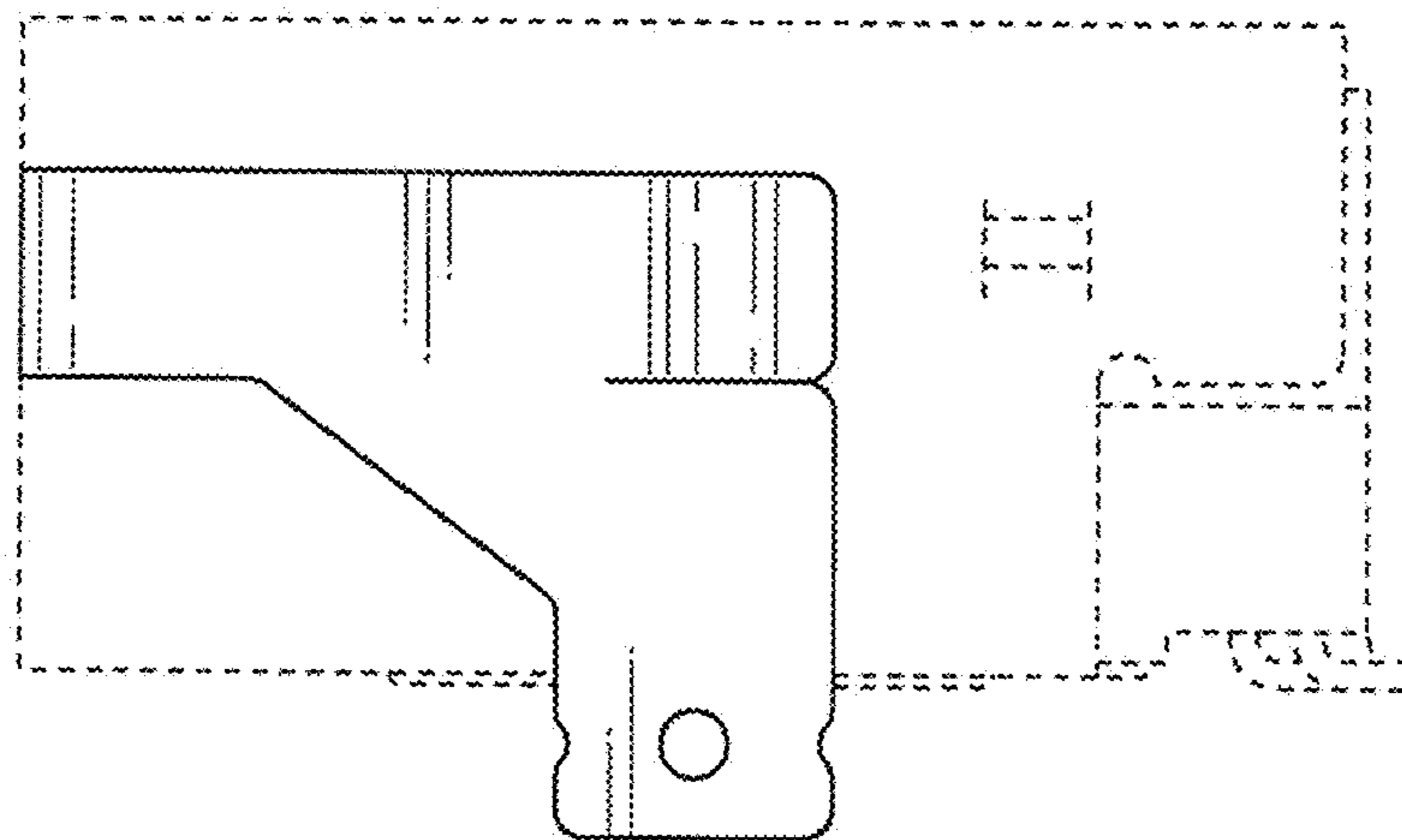


Fig. 20

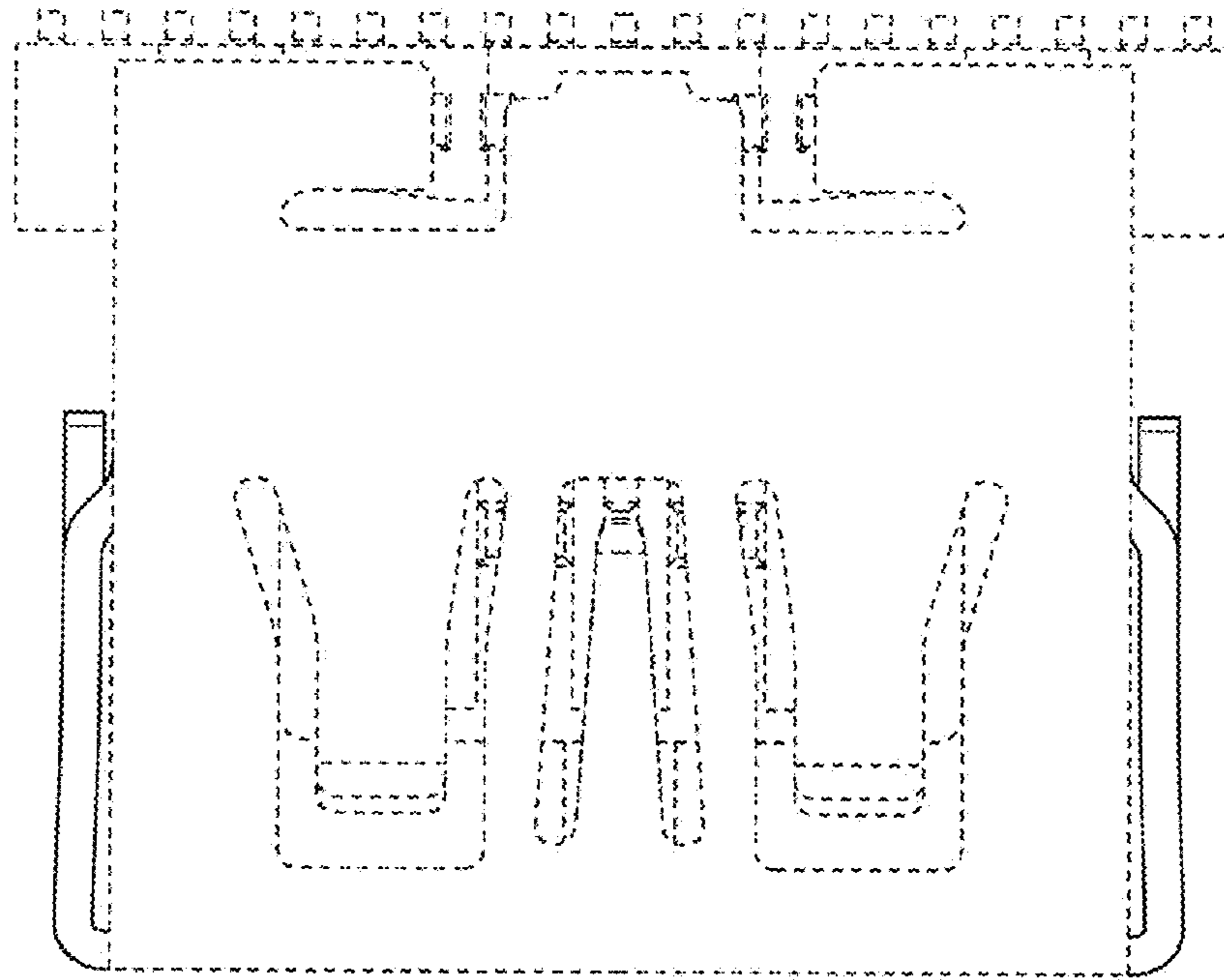


Fig. 21

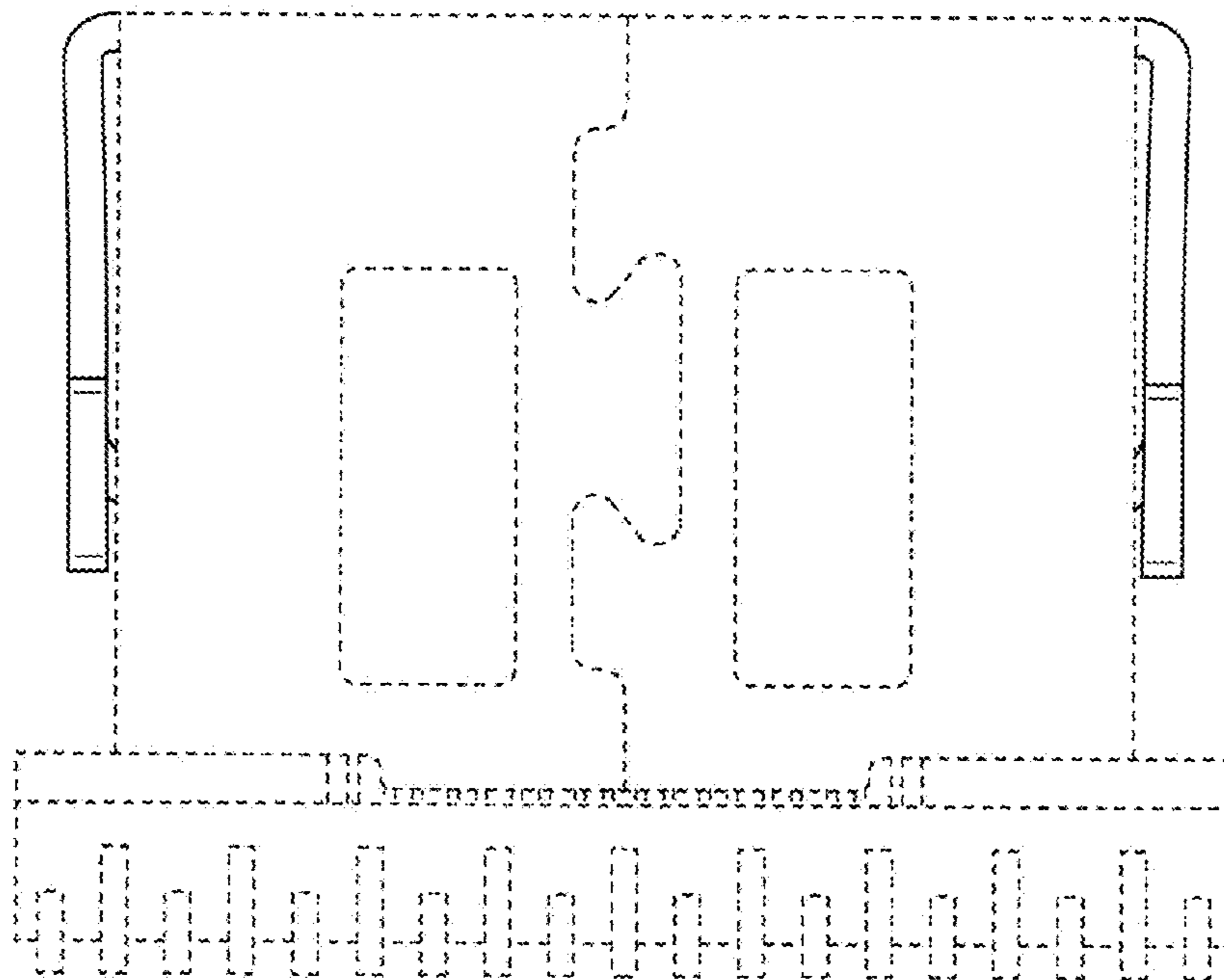


Fig. 22

