

US00D706716S

(12) **United States Design Patent**
Takahira et al.

(10) **Patent No.:** **US D706,716 S**
(45) **Date of Patent:** **** Jun. 10, 2014**

(54) **RECEPTACLE CONNECTOR**

(71) Applicant: **Yamaichi Electronics Co., Ltd.**, Tokyo (JP)

(72) Inventors: **Hiroshi Takahira**, Tokyo (JP); **Takahiro Shimoyama**, Tokyo (JP)

(73) Assignee: **Yamaichi Electronics Co., Ltd.**, Tokyo (JP)

(**) Term: **14 Years**

(21) Appl. No.: **29/435,807**

(22) Filed: **Oct. 29, 2012**

(51) **LOC (10) Cl.** **13-03**

(52) **U.S. Cl.**
USPC **D13/147**

(58) **Field of Classification Search**
USPC D13/147, 154, 184, 199; 439/79, 108, 439/180, 246, 374, 378, 488, 527, 529, 530, 439/533, 567, 607.1, 607.4, 607.5, 607.17, 439/607.25, 607.34, 607.41, 607.53, 668, 439/680, 892, 894
See application file for complete search history.

(56) **References Cited**

U.S. PATENT DOCUMENTS

D462,663	S	*	9/2002	Hagiwara	D13/147
D478,050	S	*	8/2003	Nishio et al.	D13/147
D480,685	S	*	10/2003	Hagiwara	D13/147
D481,681	S	*	11/2003	Takahashi	D13/147
D509,192	S	*	9/2005	Chen	D13/147
D523,400	S	*	6/2006	Shang-Yen et al.	D13/147
D523,813	S	*	6/2006	He et al.	D13/147
D618,625	S	*	6/2010	Nagata et al.	D13/147
D637,558	S	*	5/2011	Wada et al.	D13/147
D637,958	S	*	5/2011	Asano et al.	D13/147
D639,245	S	*	6/2011	Wada et al.	D13/147

* cited by examiner

Primary Examiner — Daniel Bui

(74) *Attorney, Agent, or Firm* — Studebaker & Brackett PC

(57) **CLAIM**

The ornamental design for a receptacle connector, as shown and described.

DESCRIPTION

FIG. 1 is a perspective view of the front, top and right side of a receptacle connector of a first embodiment showing our new design;

FIG. 2 is a perspective view of the rear, top and left side thereof;

FIG. 3 is a perspective view of the rear, bottom and right side thereof;

FIG. 4 is a perspective view of the front, bottom and left side thereof;

FIG. 5 is a front view thereof;

FIG. 6 is a rear view thereof;

FIG. 7 is a left side view thereof;

FIG. 8 is a right side view thereof;

FIG. 9 is a top view thereof;

FIG. 10 is a bottom view thereof;

FIG. 11 is a cross sectional view thereof, taken along line "11-11" of FIG. 5"

FIG. 12 is a perspective view of the front, top and right side of a receptacle connector of a second embodiment showing our new design;

FIG. 13 is a perspective view of the rear, top and left side thereof;

FIG. 14 is a perspective view of the rear, bottom and right side thereof;

FIG. 15 is a perspective view of the front, bottom and left side thereof;

FIG. 16 is a front view thereof;

FIG. 17 is a rear view thereof;

FIG. 18 is a left side view thereof;

FIG. 19 is a right side view thereof;

FIG. 20 is a top view thereof;

FIG. 21 is a bottom view thereof; and,

FIG. 22 is a cross sectional view thereof, taken along line "22-22" of FIG. 16".

1 Claim, 16 Drawing Sheets

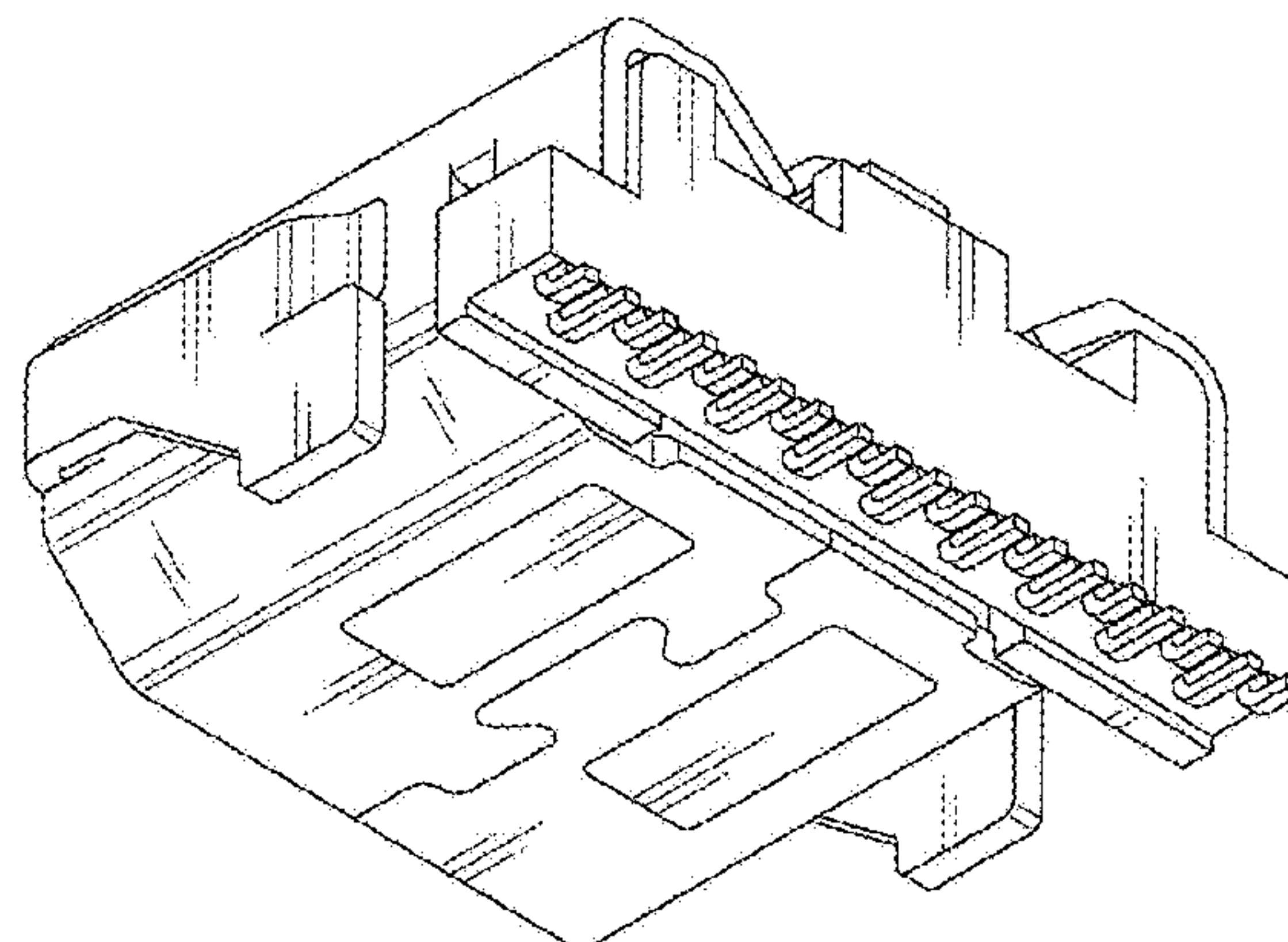
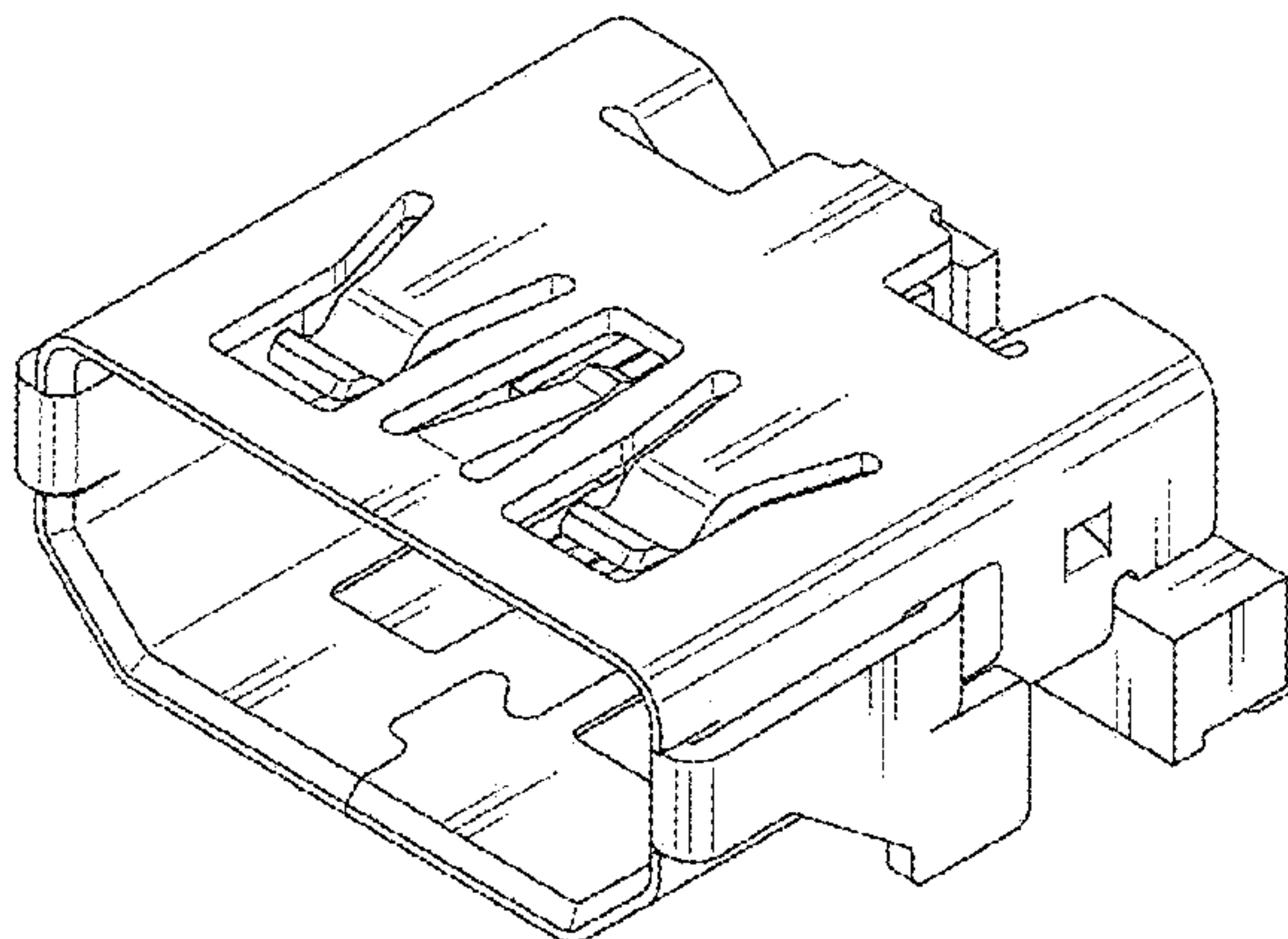


Fig. 1

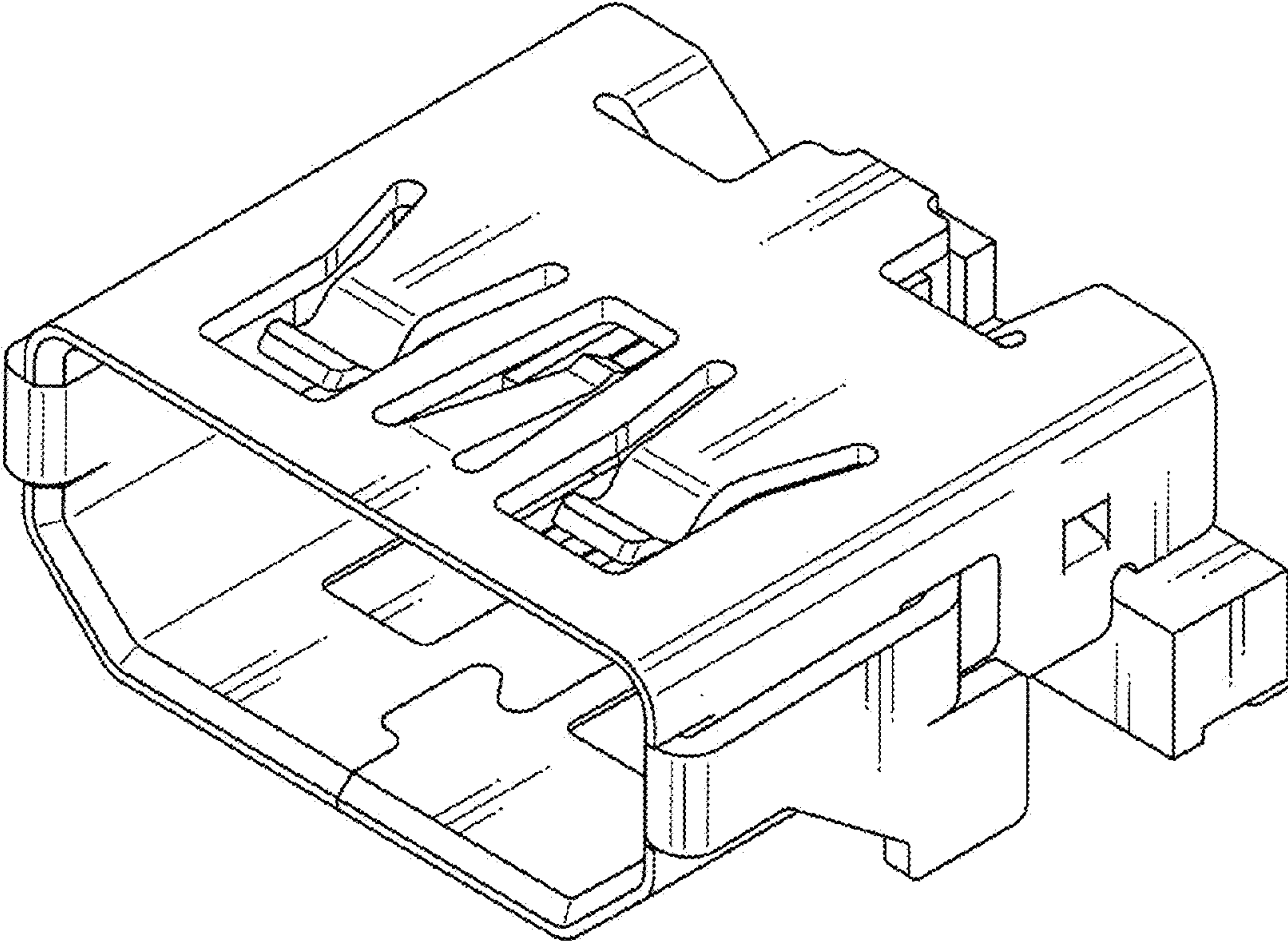


Fig. 2

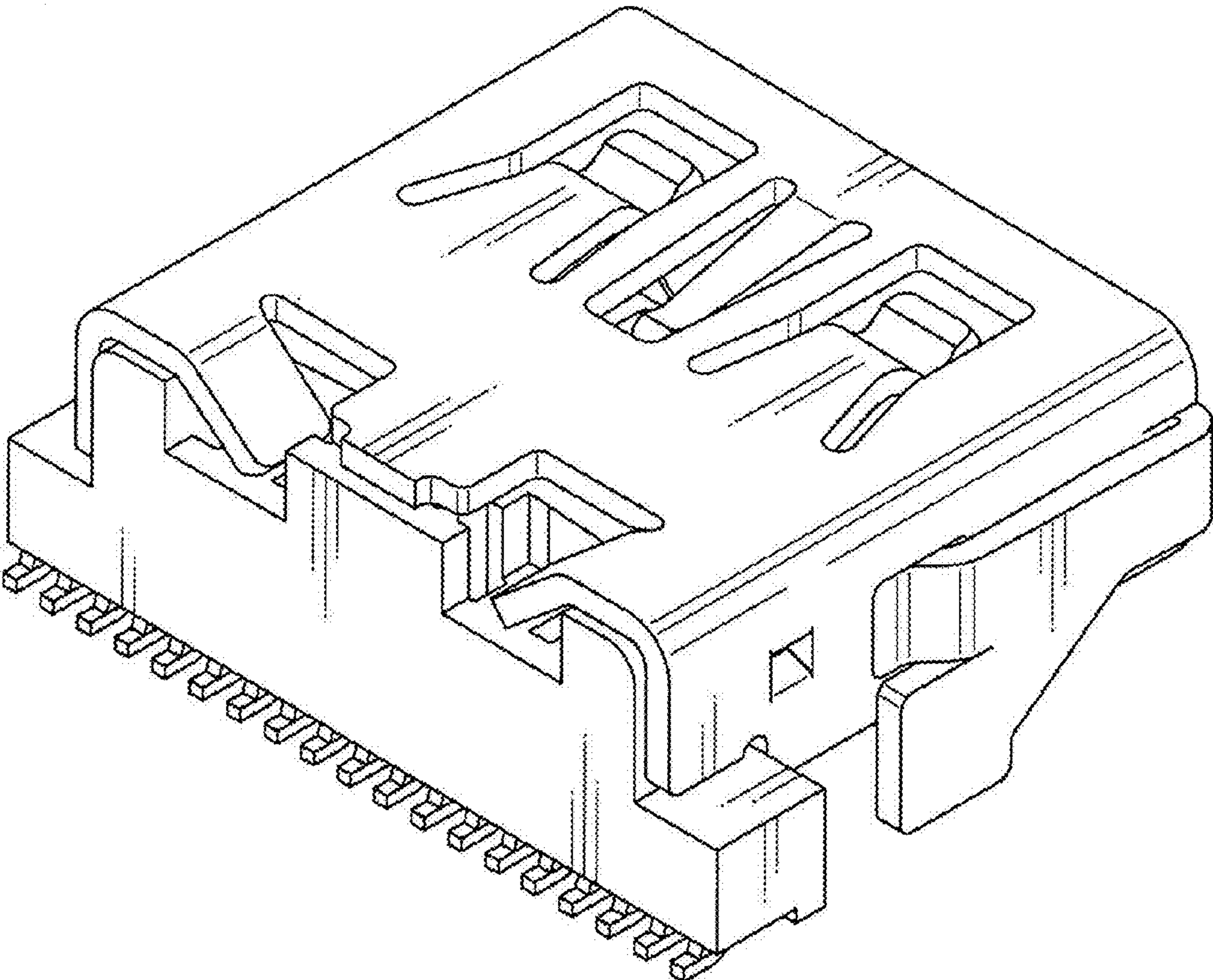


Fig. 3

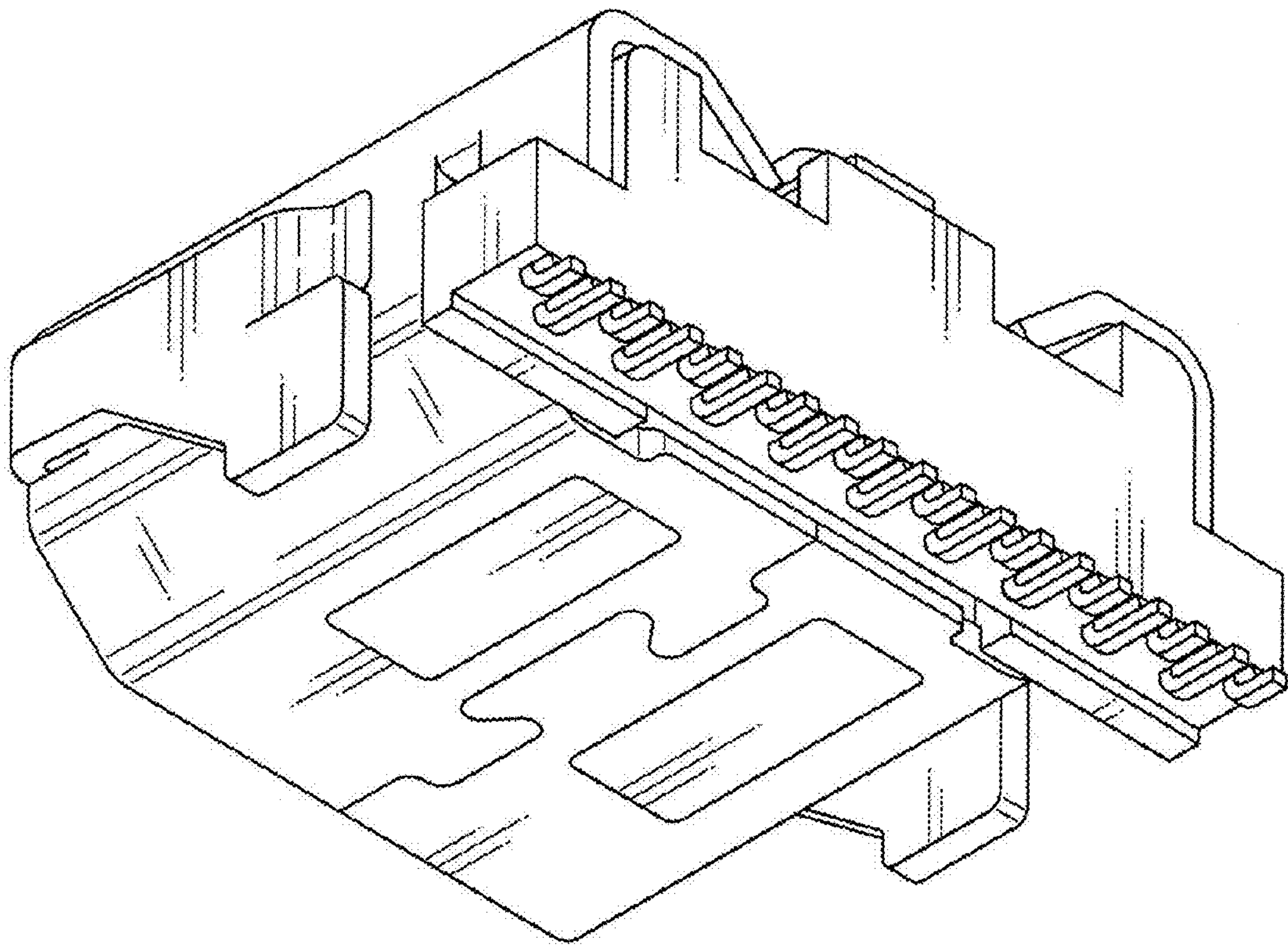


Fig. 4

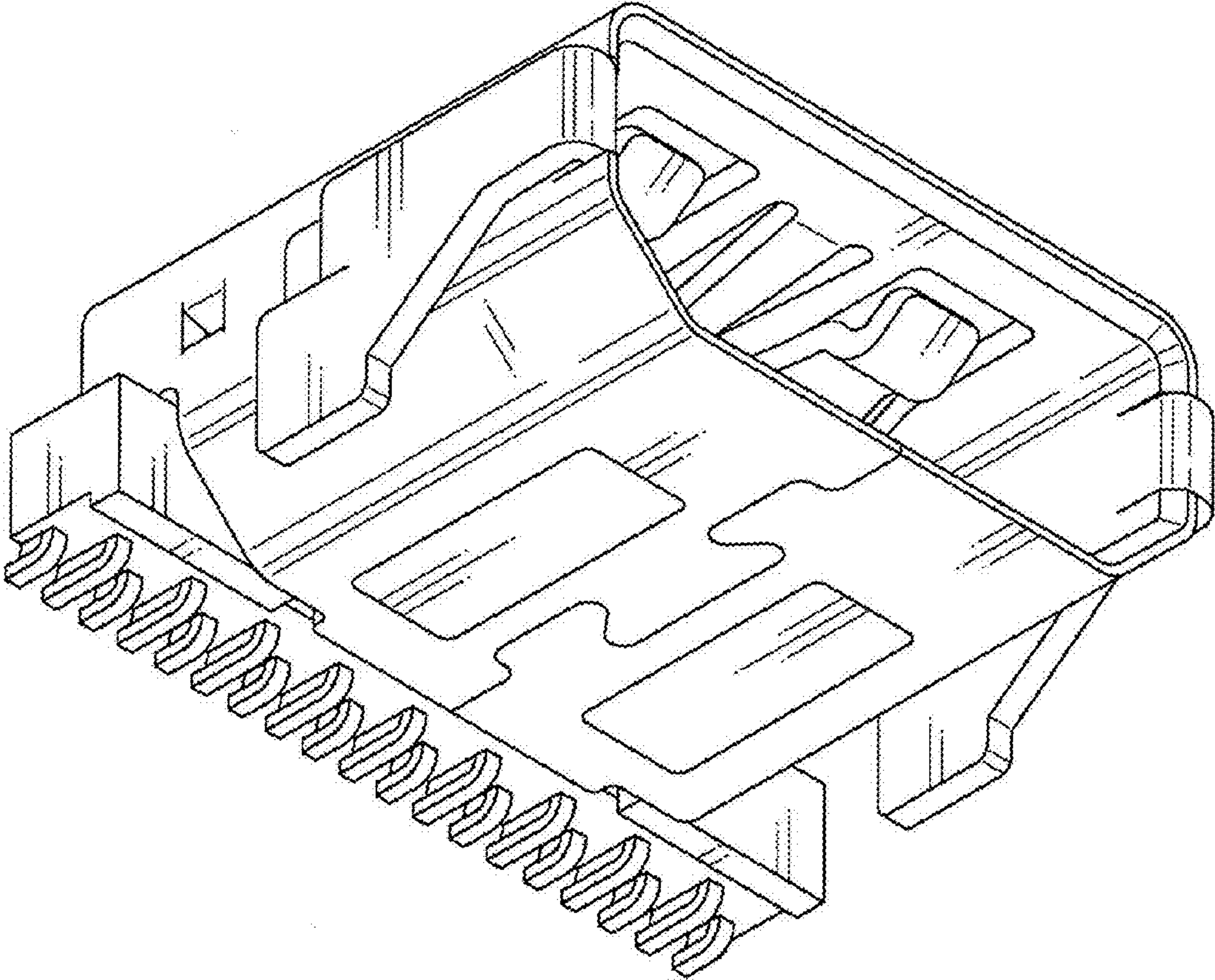


Fig. 5

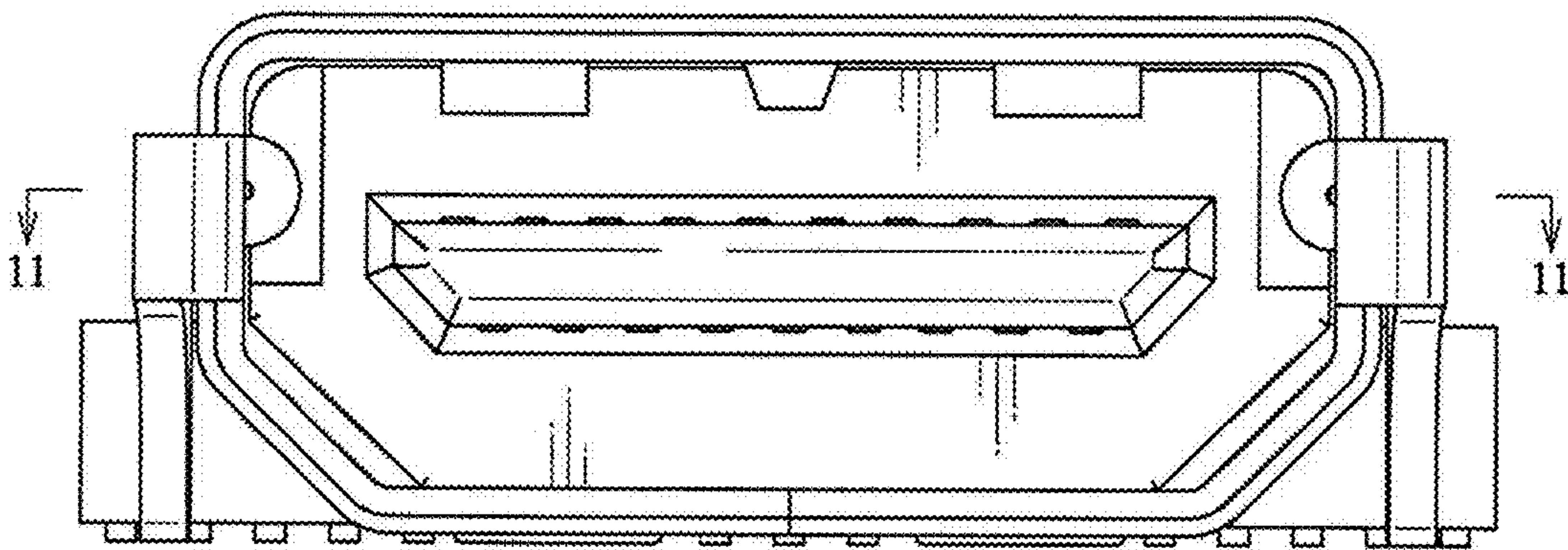


Fig. 6

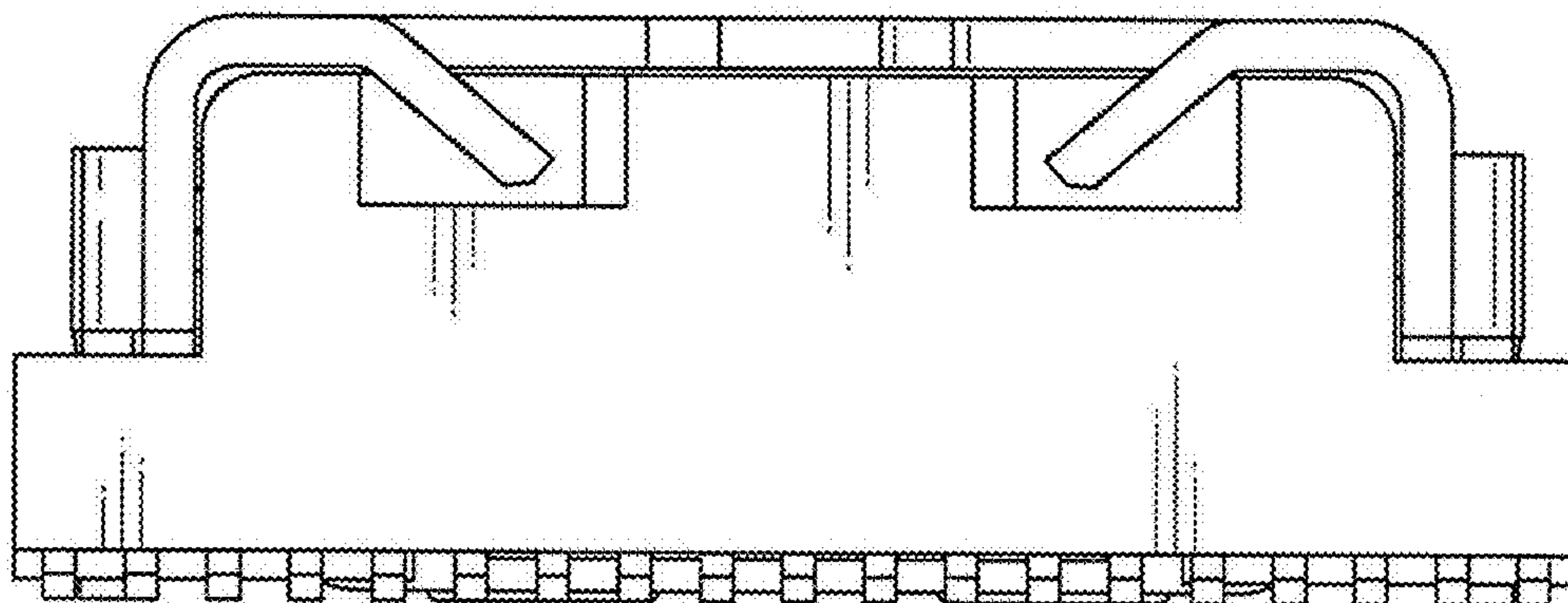


Fig. 7

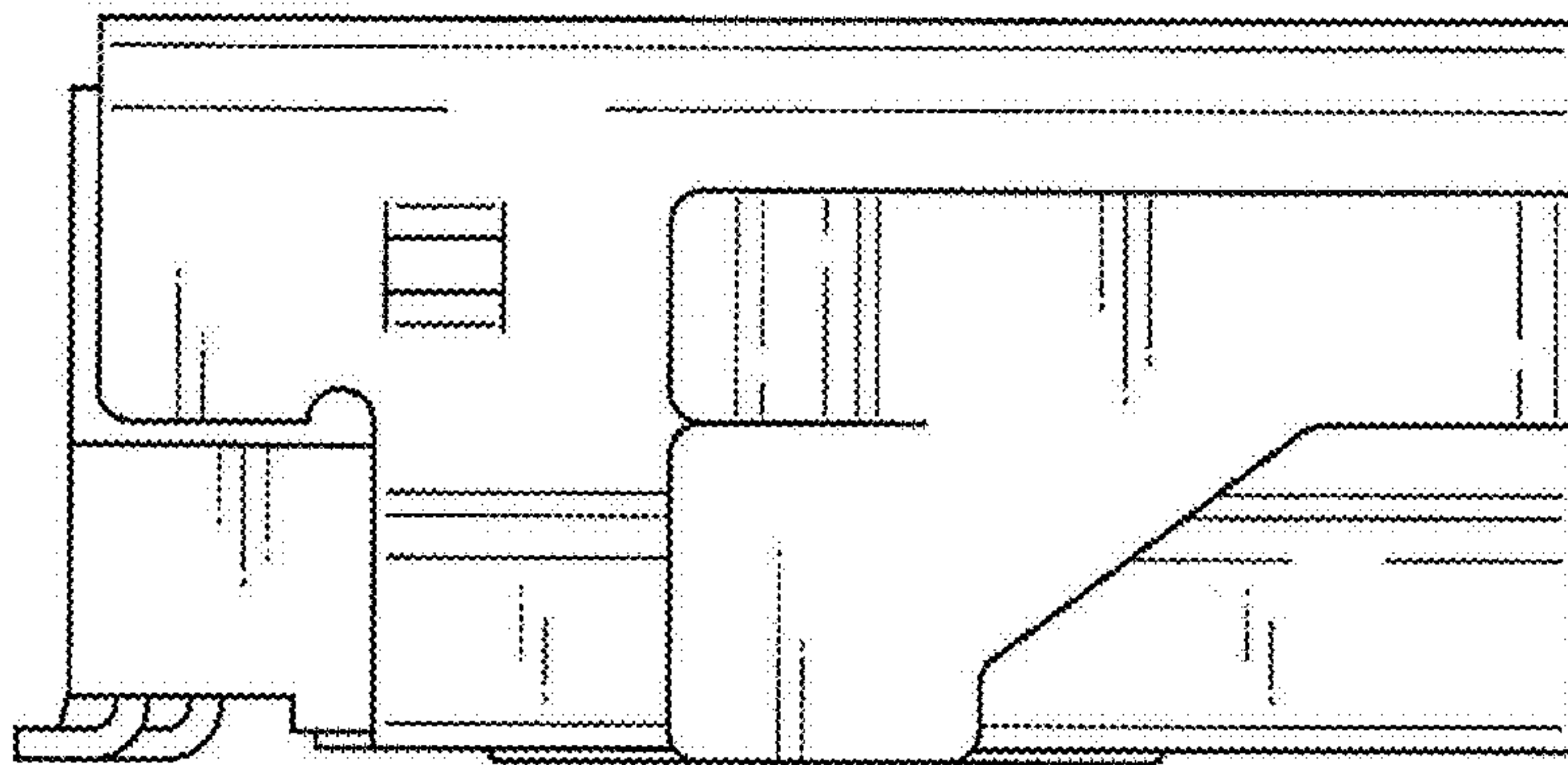


Fig. 8

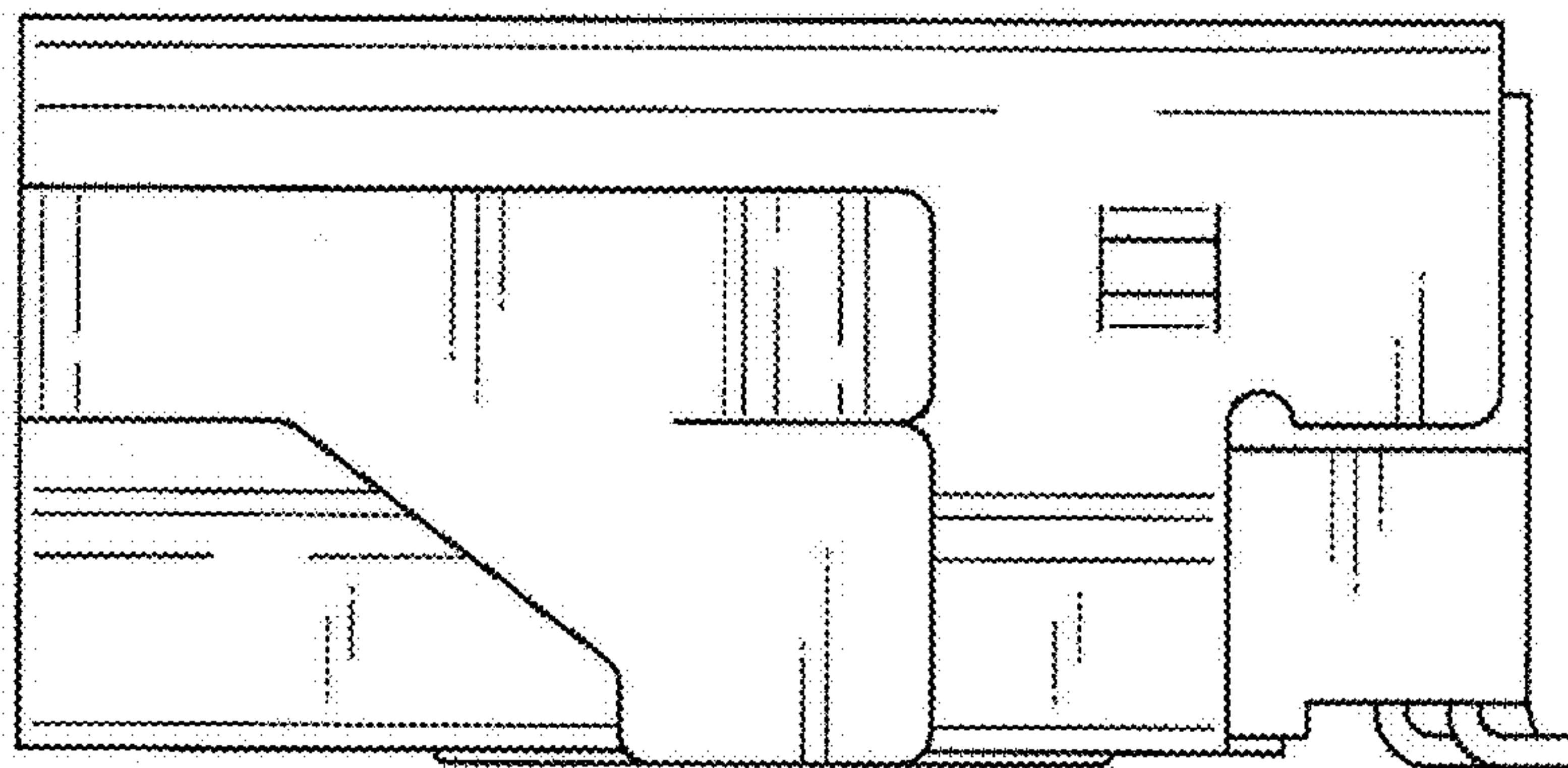


Fig. 9

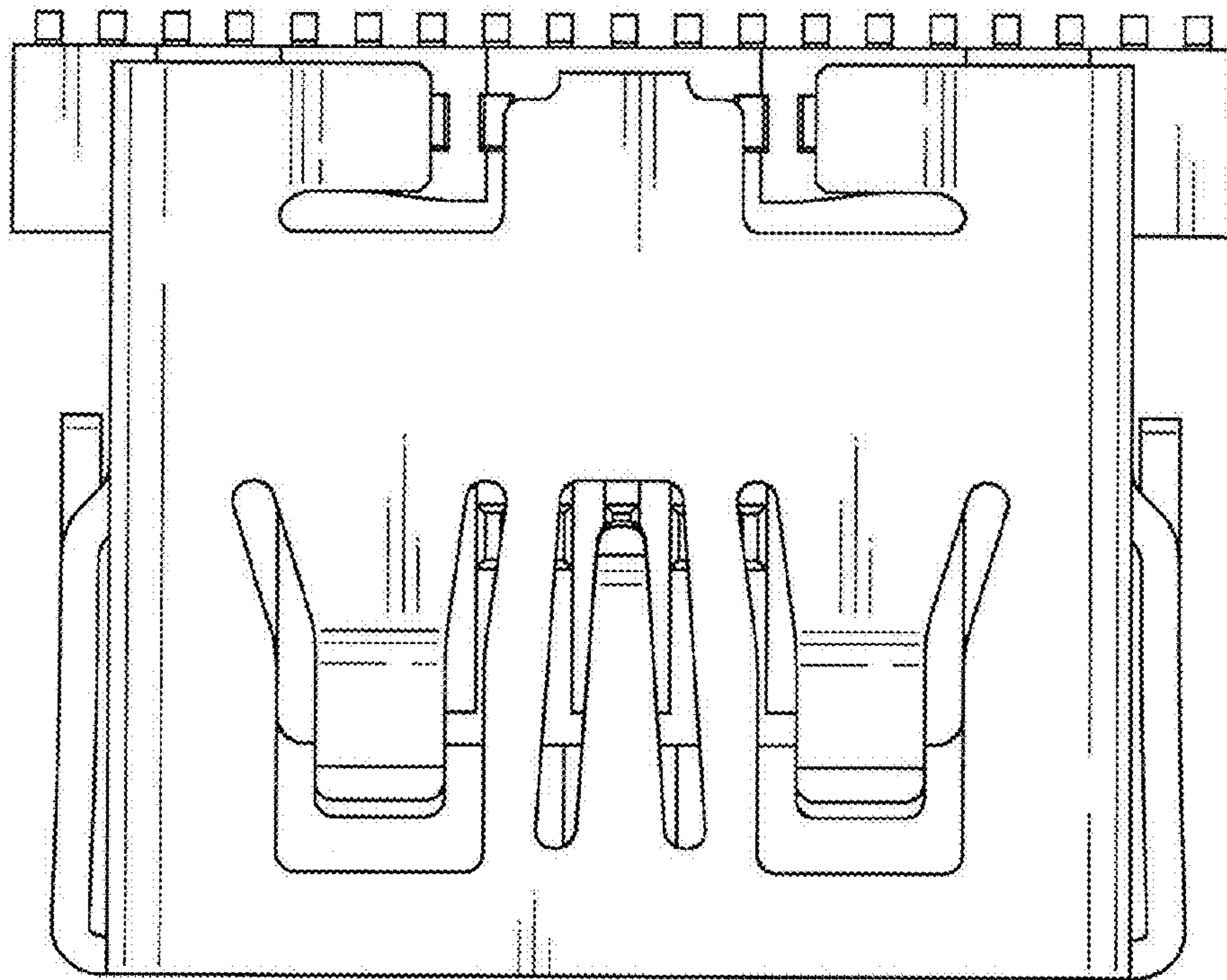


Fig. 10

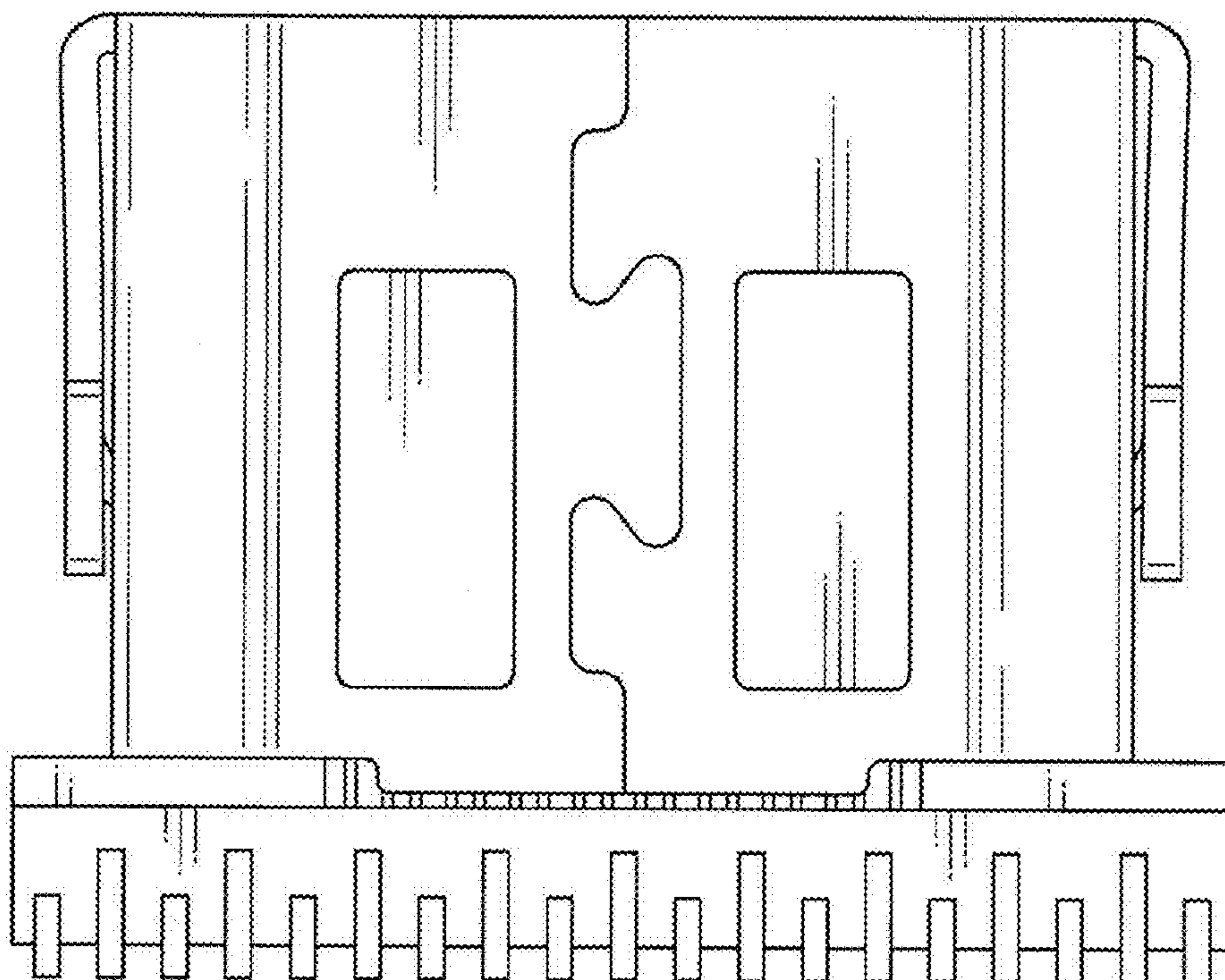


Fig. 11

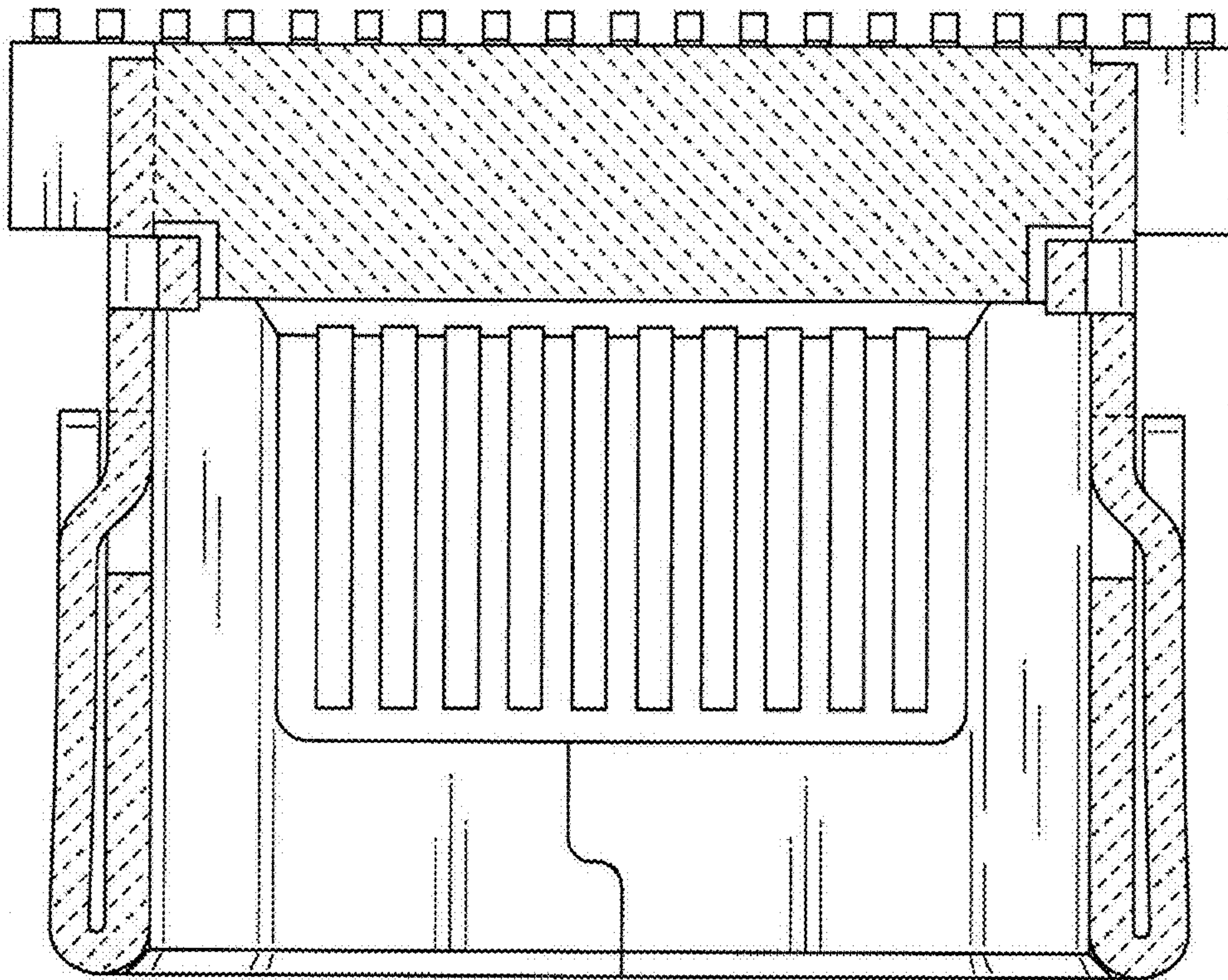


Fig. 12

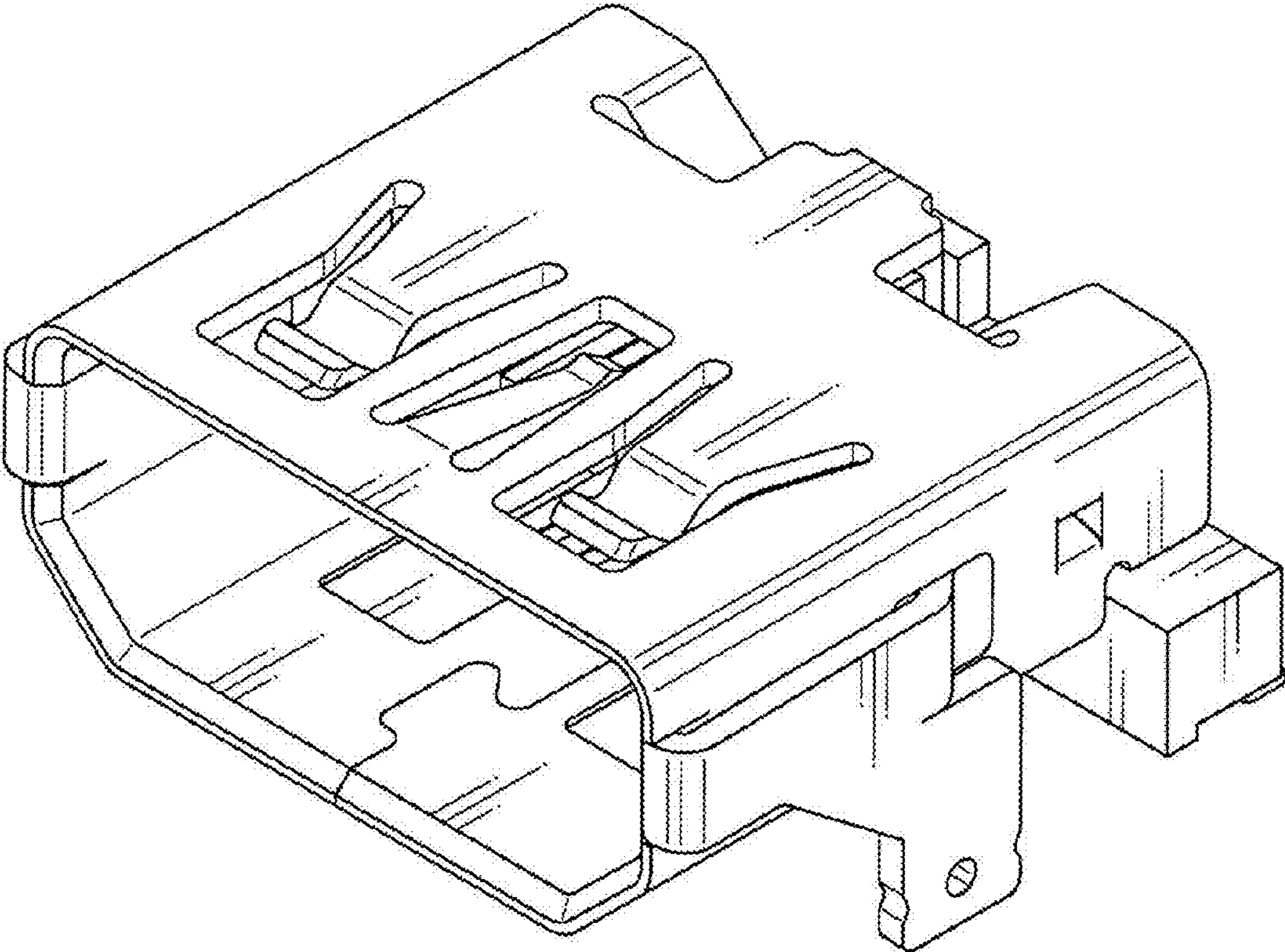


Fig. 13

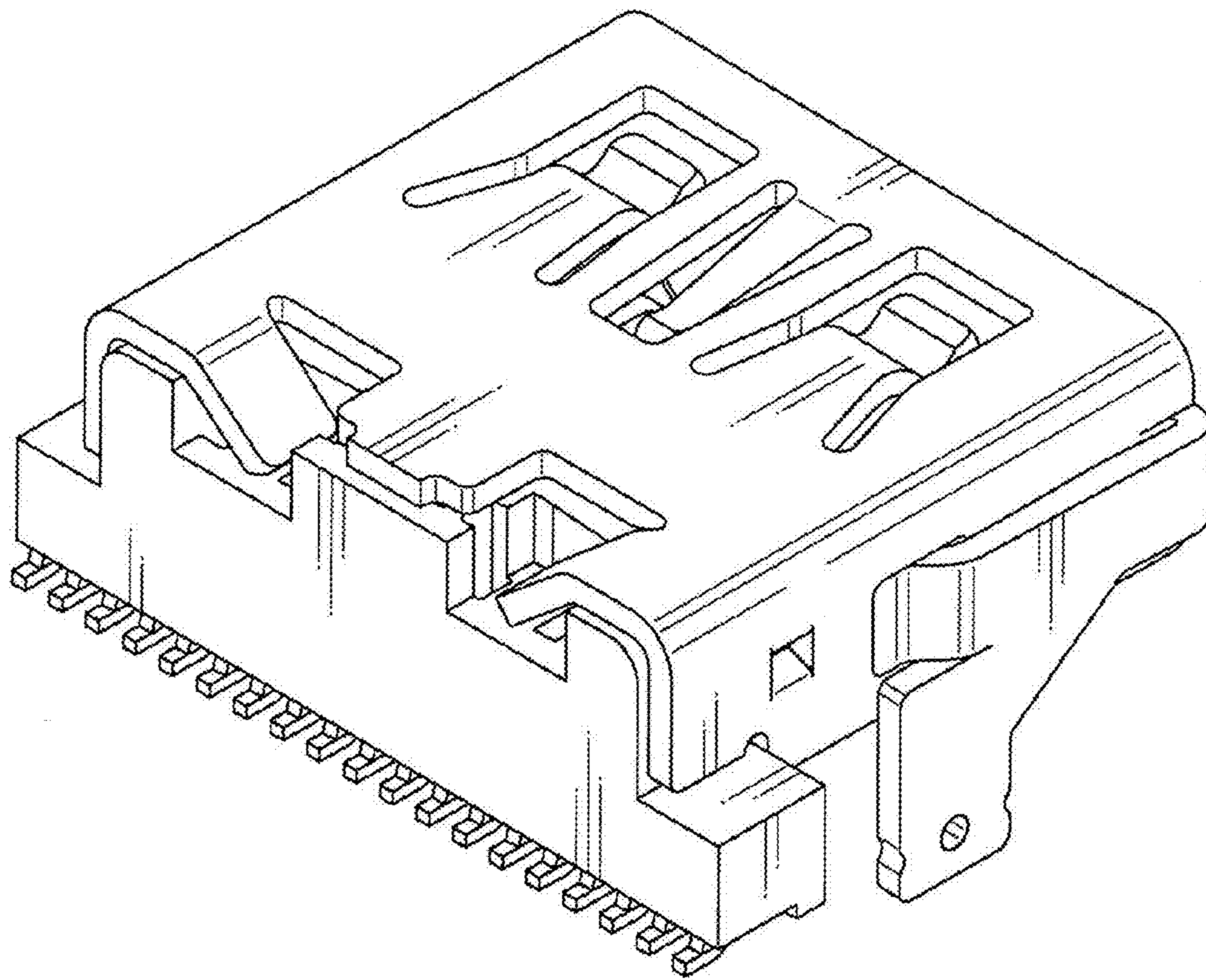


Fig. 14

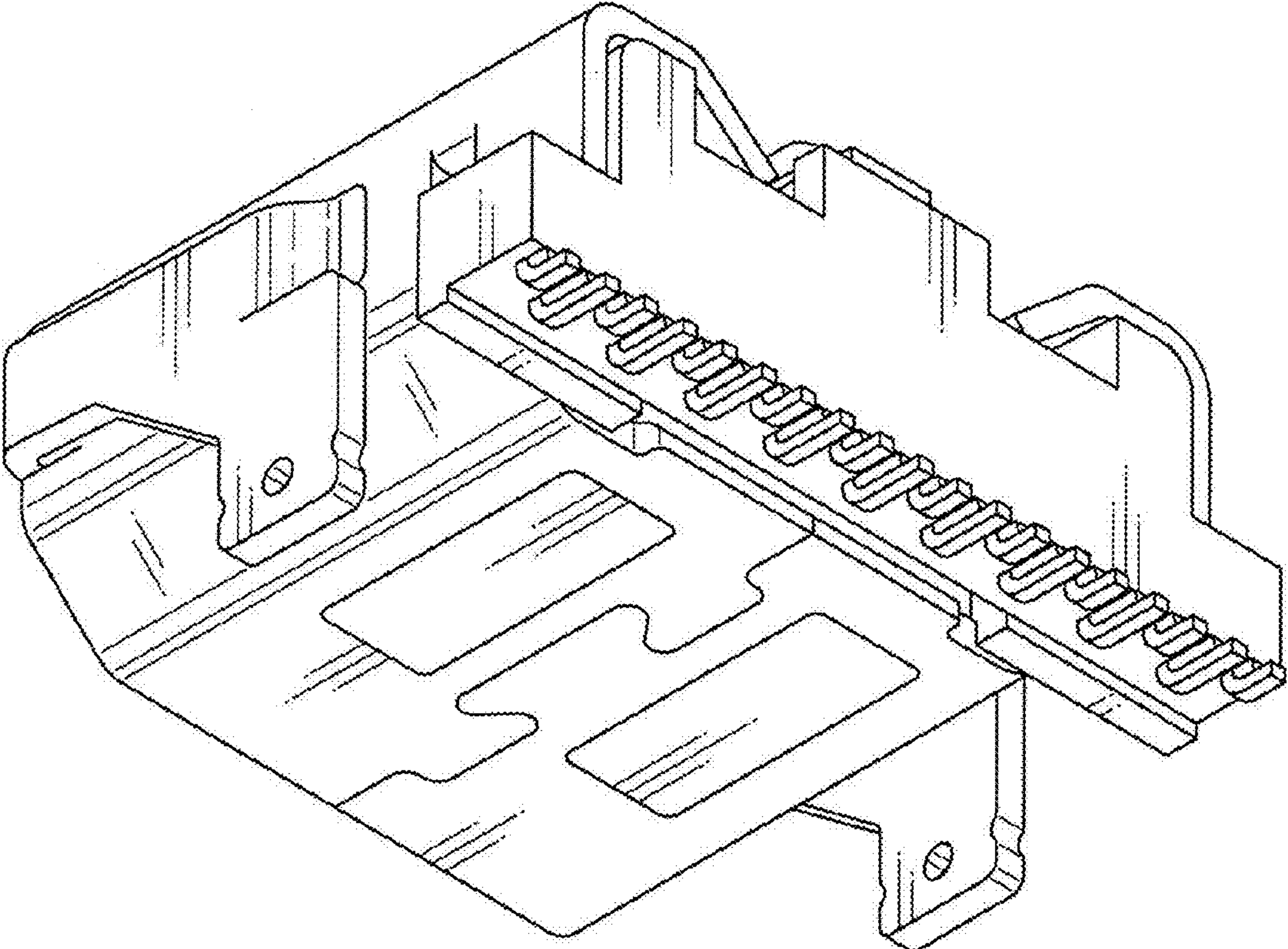


Fig. 15

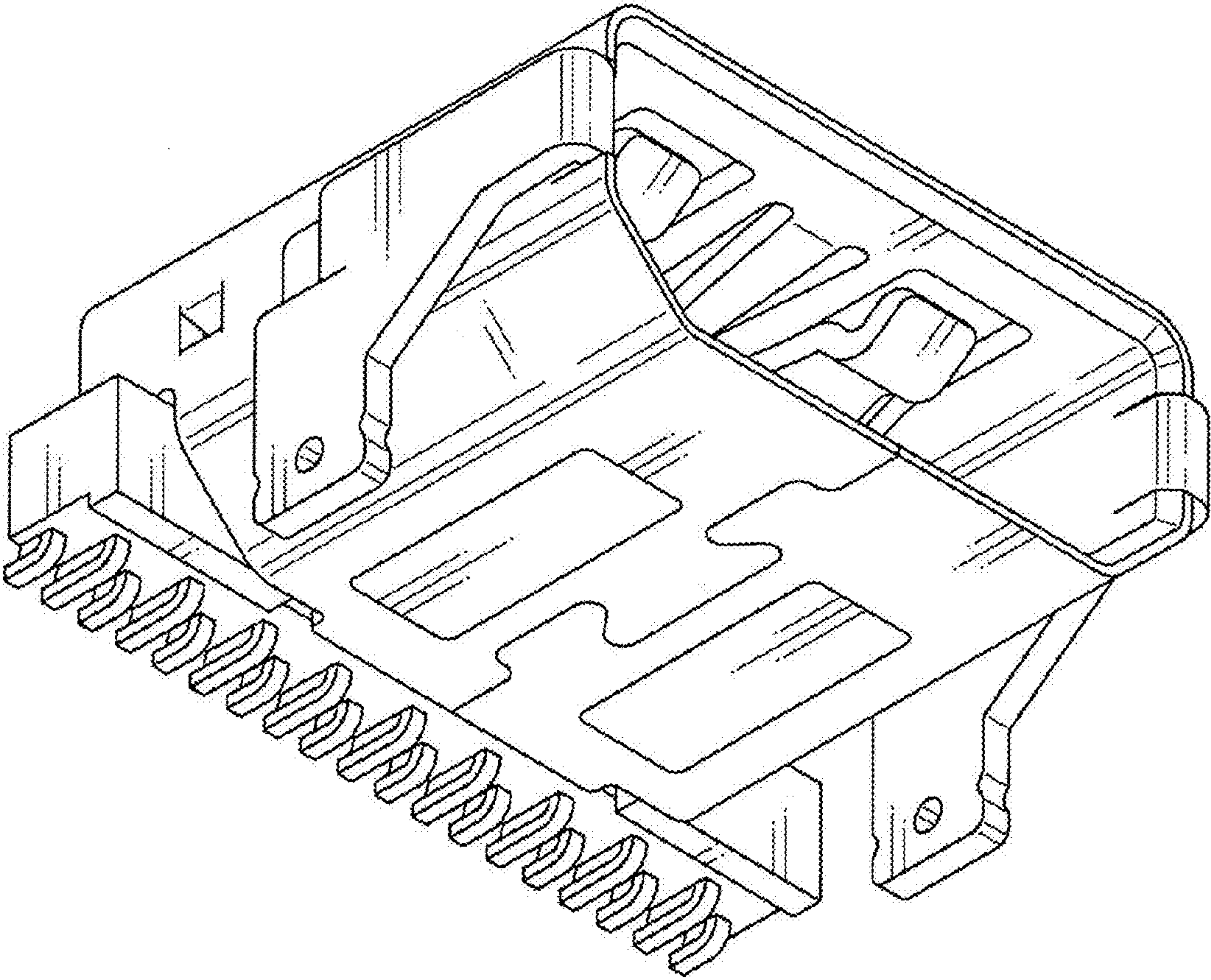


Fig. 16

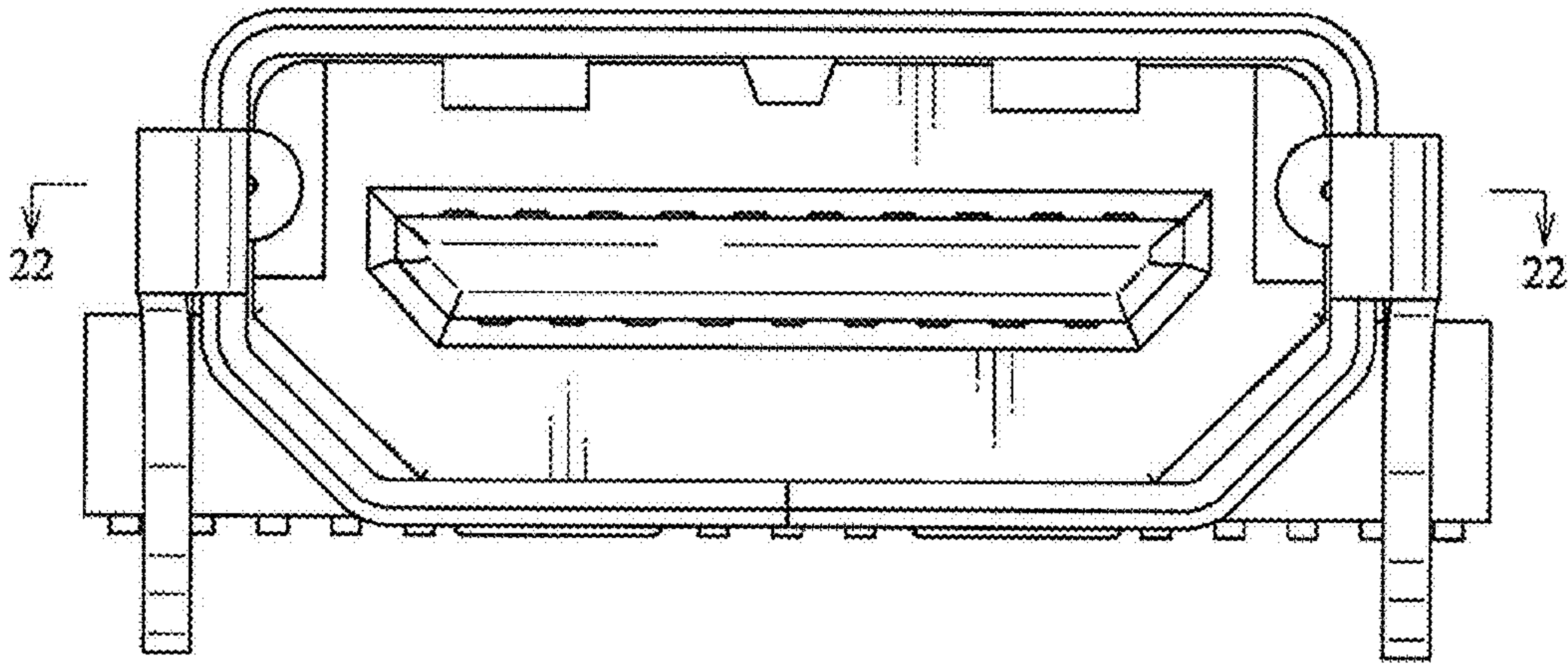


Fig. 17

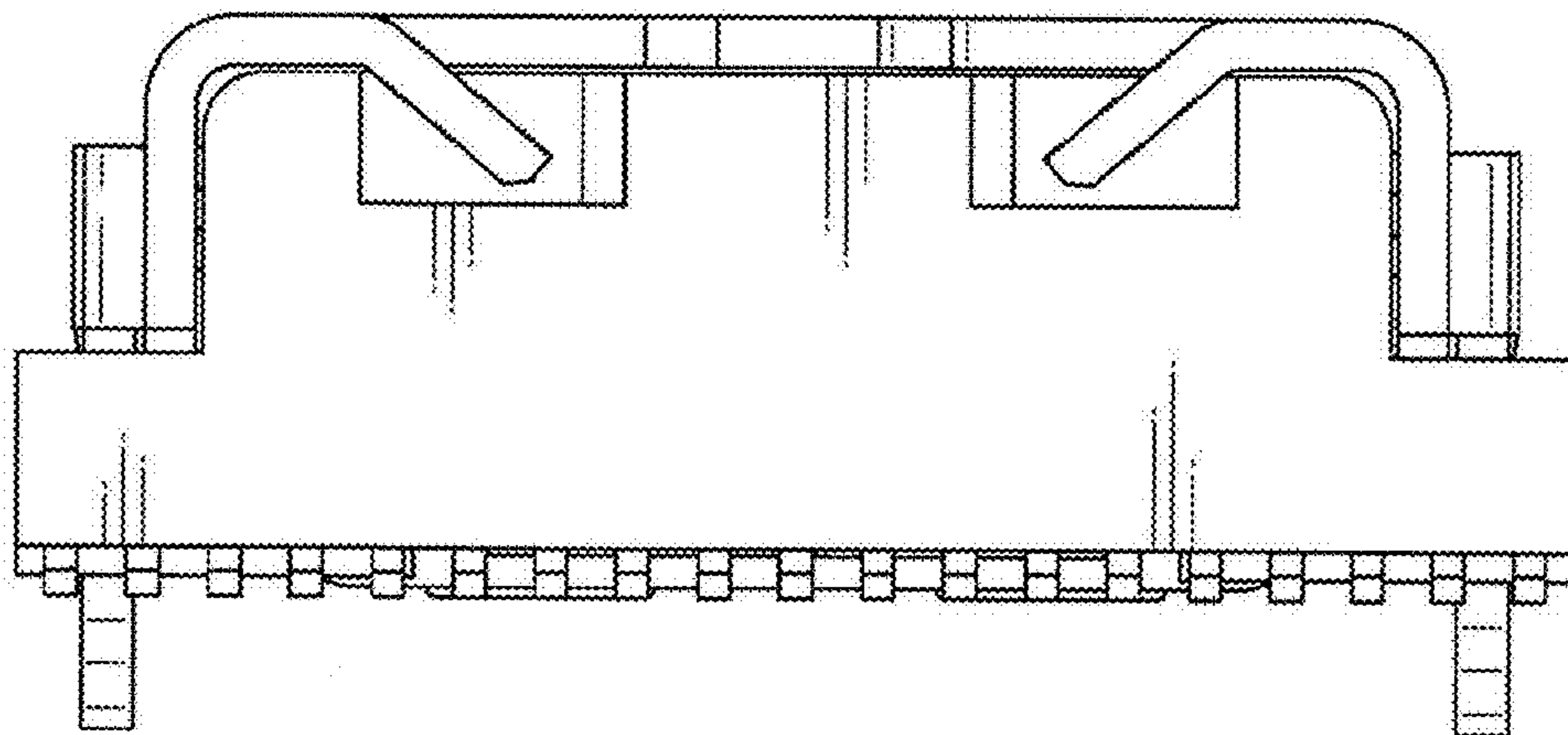


Fig. 18

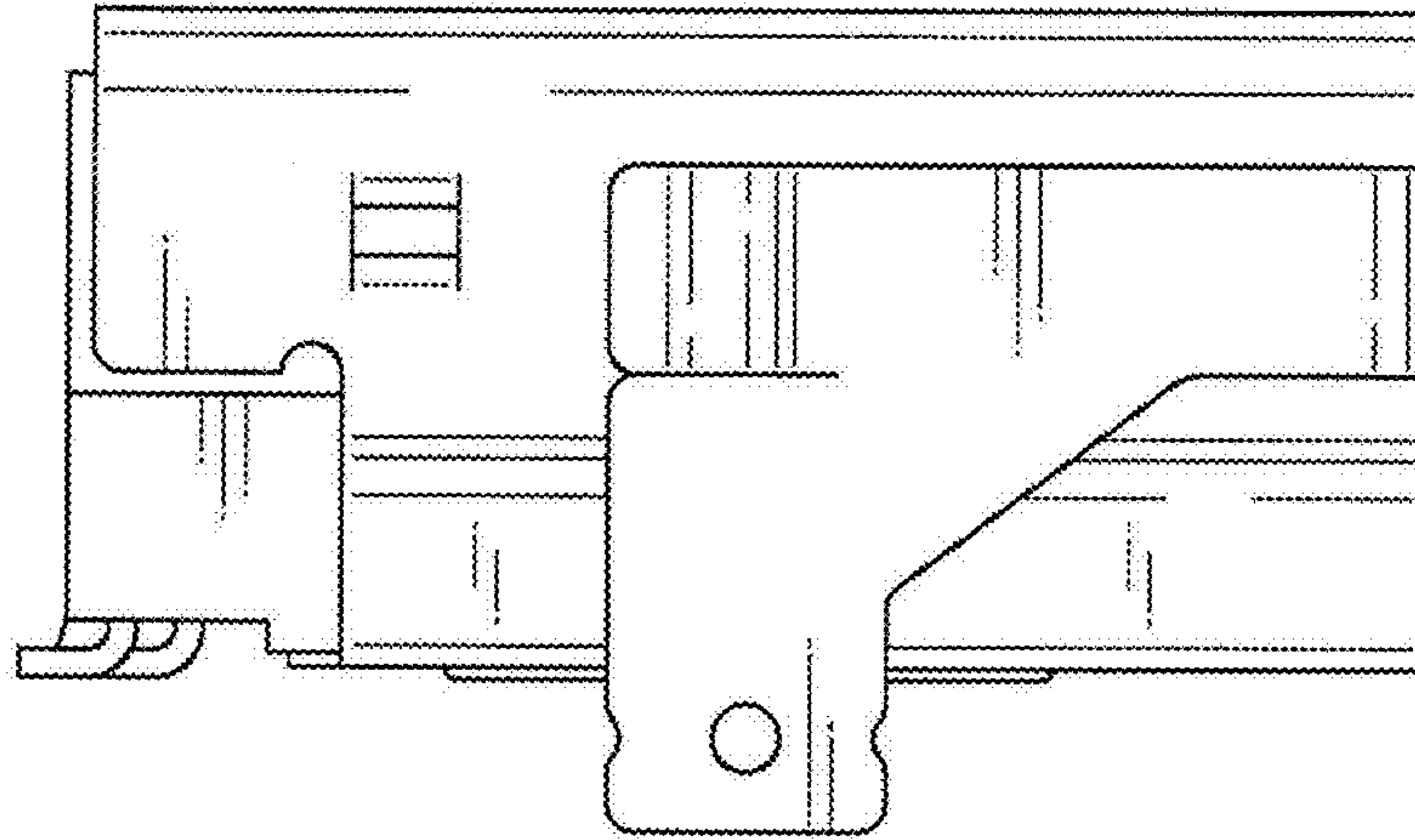


Fig. 19

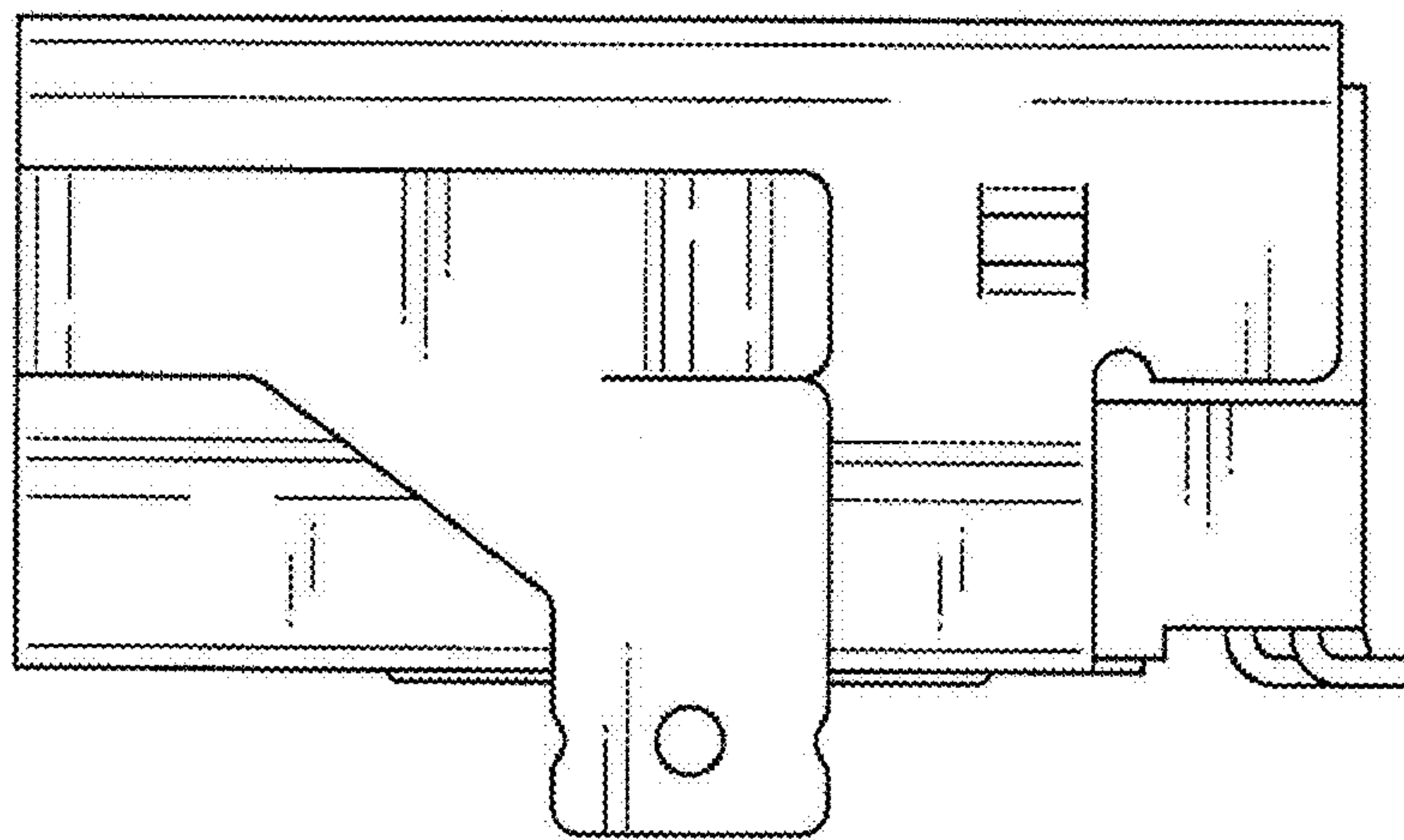


Fig. 20

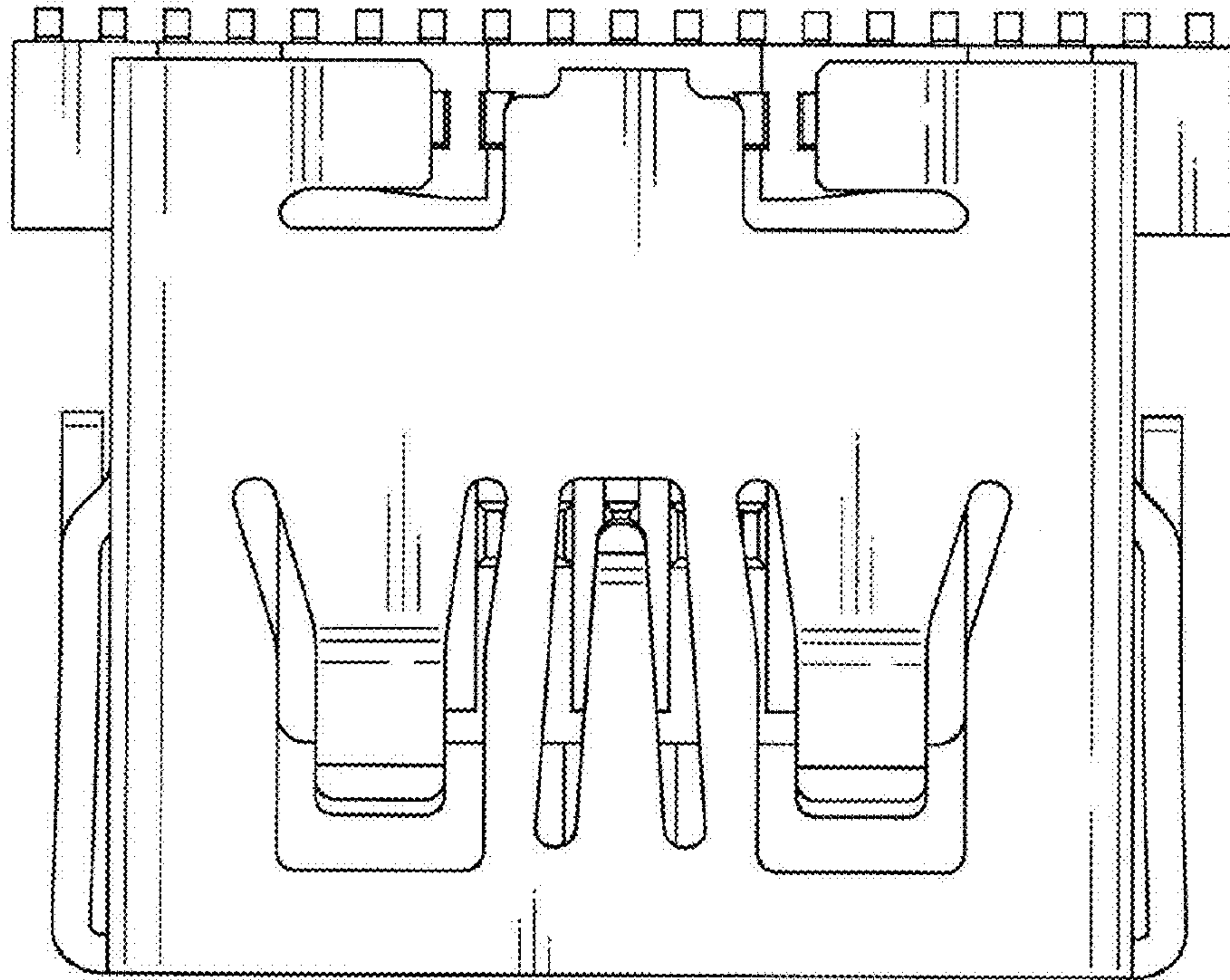


Fig. 21

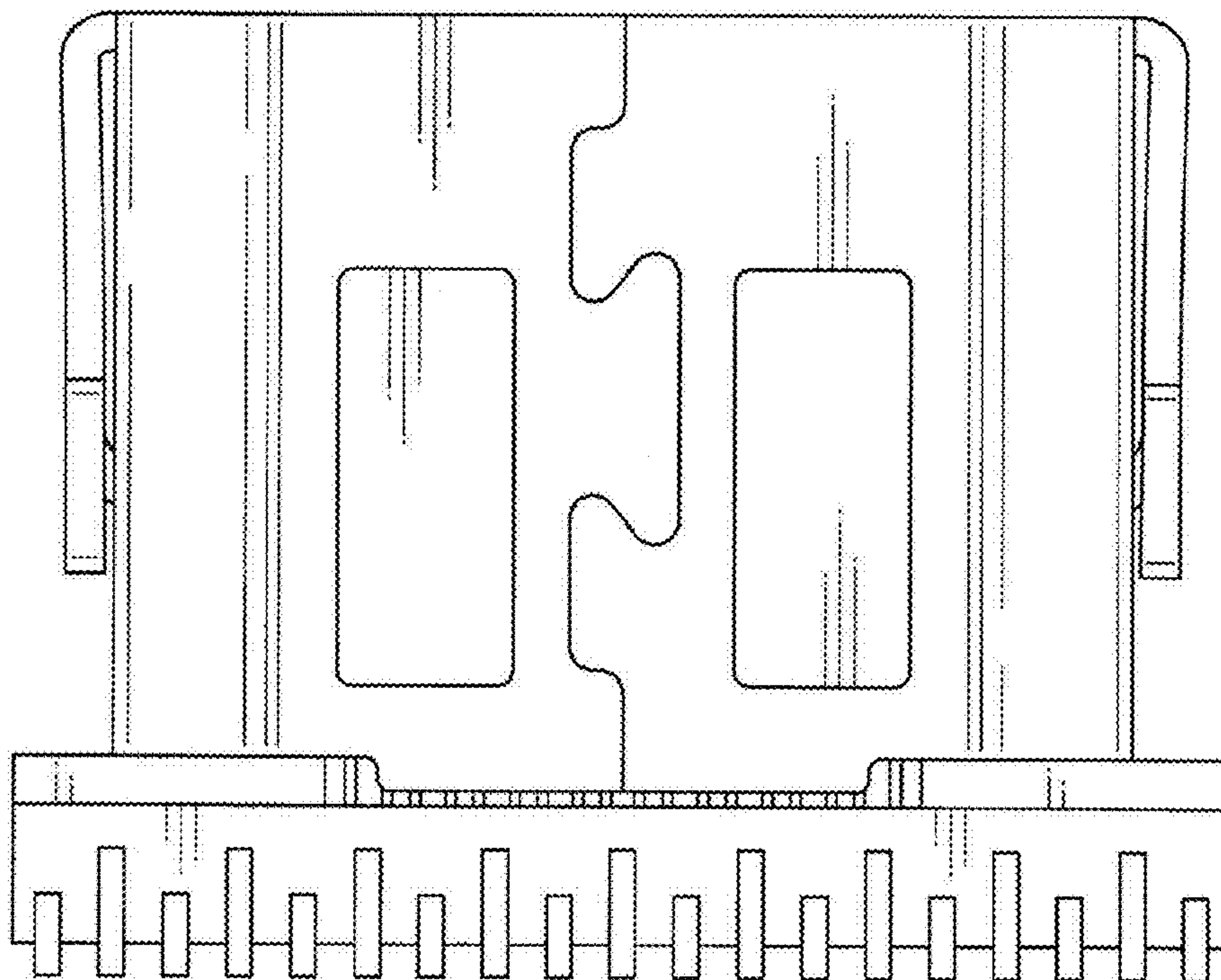


Fig. 22

