



US00D706715S

(12) **United States Design Patent**  
**Ball**

(10) **Patent No.:** **US D706,715 S**  
(45) **Date of Patent:** **\*\* Jun. 10, 2014**

(54) **STYLIZED ELECTRICAL CONNECTOR**

D587,204 S \* 2/2009 Bachmann ..... D13/133  
D606,944 S \* 12/2009 Mehnert et al. .... D13/154  
D691,092 S \* 10/2013 Dachs ..... D13/146

(71) Applicant: **Kenneth Ball**, Portland, OR (US)

\* cited by examiner

(72) Inventor: **Kenneth Ball**, Portland, OR (US)

*Primary Examiner* — Thomas Johannes

(\*\*) Term: **14 Years**

*Assistant Examiner* — Khawaja Anwar

(21) Appl. No.: **29/453,111**

(74) *Attorney, Agent, or Firm* — Mark S. Hubert

(22) Filed: **Apr. 25, 2013**

(57) **CLAIM**

(51) **LOC (10) Cl.** ..... **13-03**

The ornamental design for a stylized electrical connector, as shown and described.

(52) **U.S. Cl.**

USPC ..... **D13/133**

(58) **Field of Classification Search**

USPC ..... D13/133, 146, 147, 154, 184, 199, 158;  
439/246, 261, 374, 446, 527, 534, 594,  
439/595, 771, 894

See application file for complete search history.

**DESCRIPTION**

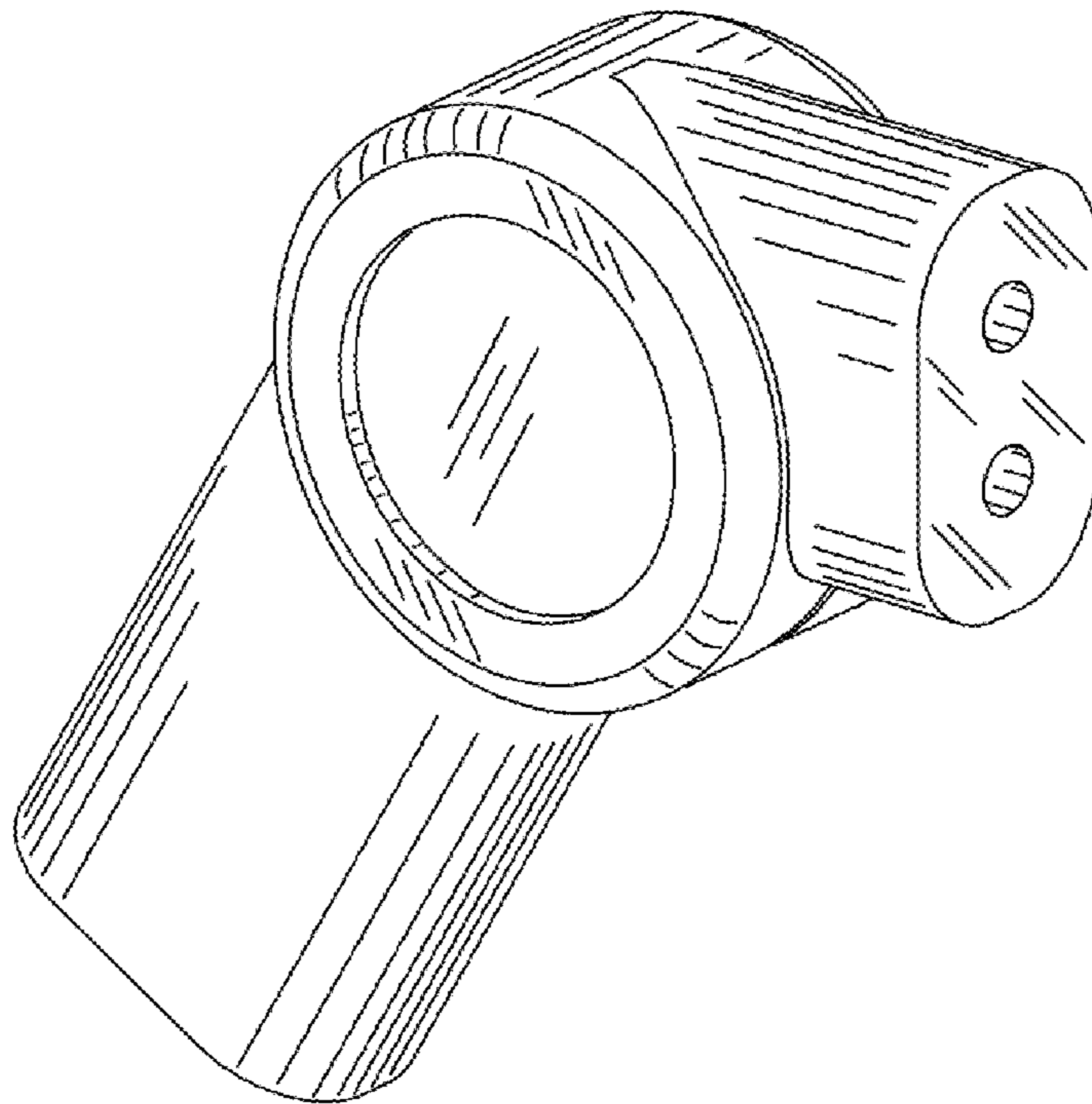
FIG. 1 is a perspective view for a stylized electrical connector showing my new design;  
FIG. 2 is a top view thereof;  
FIG. 3 is a right-side view thereof;  
FIG. 4 is a front view thereof;  
FIG. 5 is a left-side view thereof;  
FIG. 6 is a rear view thereof; and,  
FIG. 7 is a bottom view thereof.

(56) **References Cited**

**U.S. PATENT DOCUMENTS**

D244,611 S \* 6/1977 Gietzen ..... D13/133  
D291,303 S \* 8/1987 Wood et al. .... D13/133

**1 Claim, 2 Drawing Sheets**



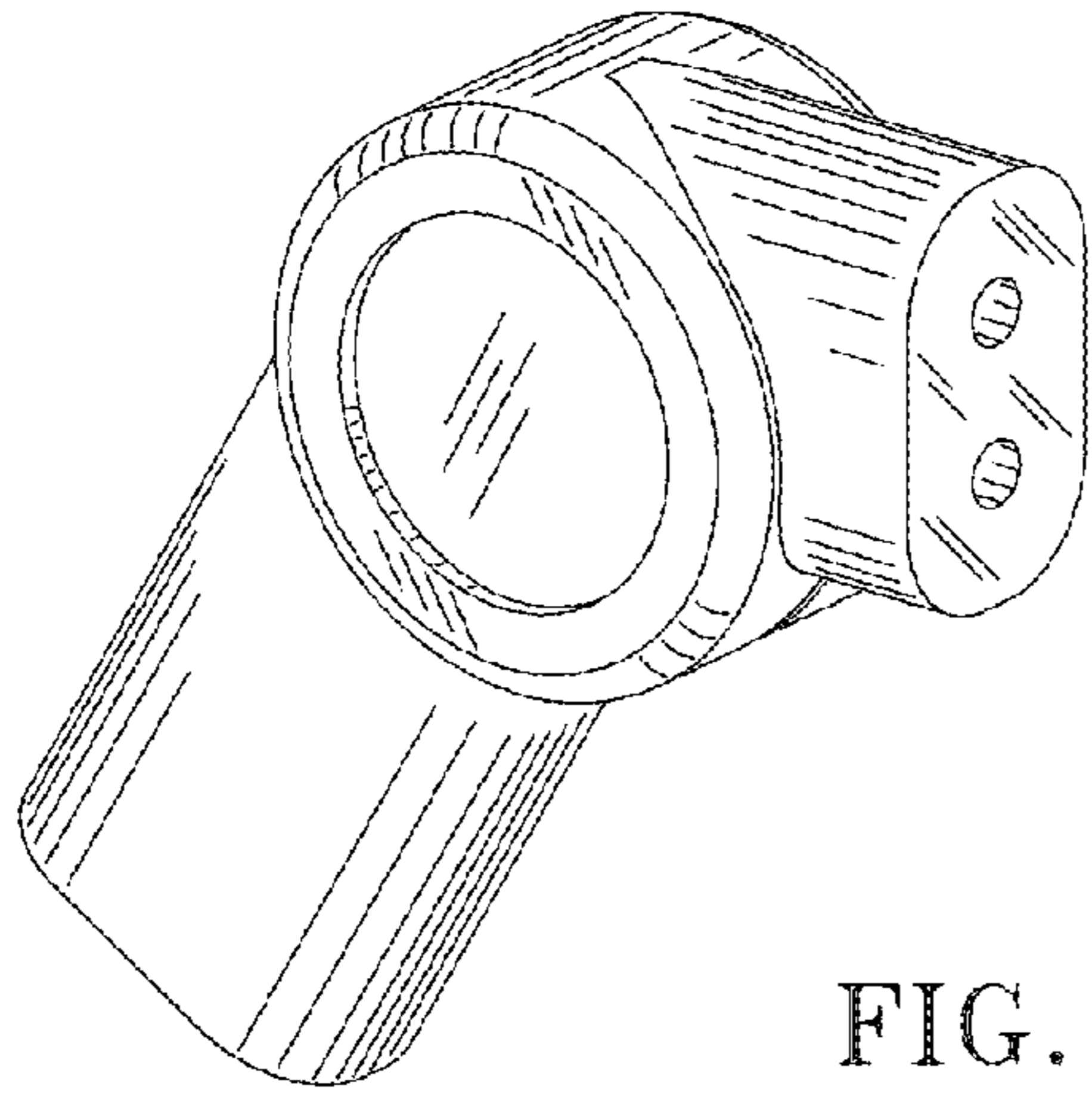


FIG. 1

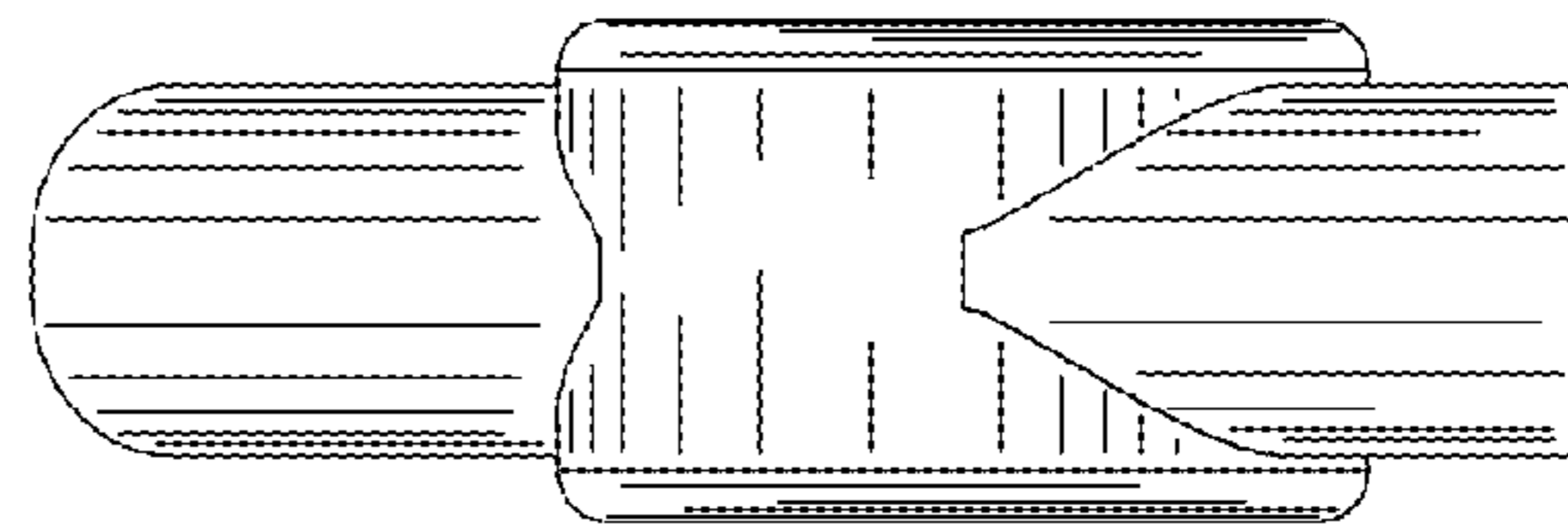


FIG. 2

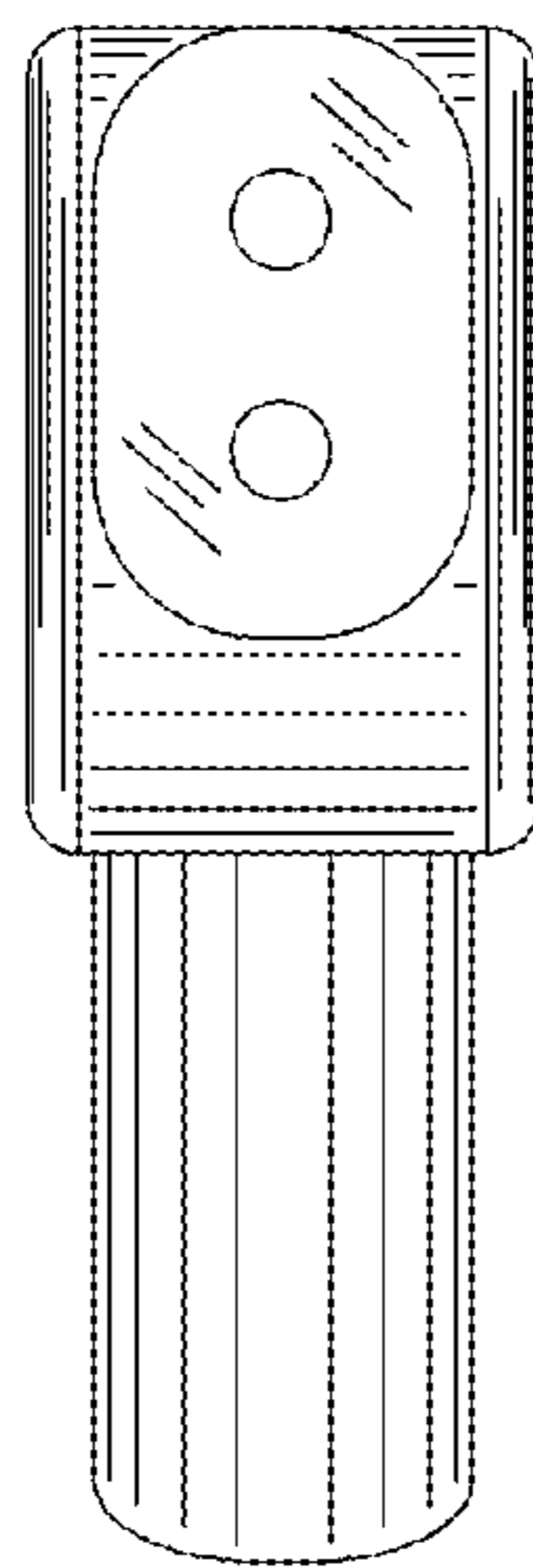


FIG. 3

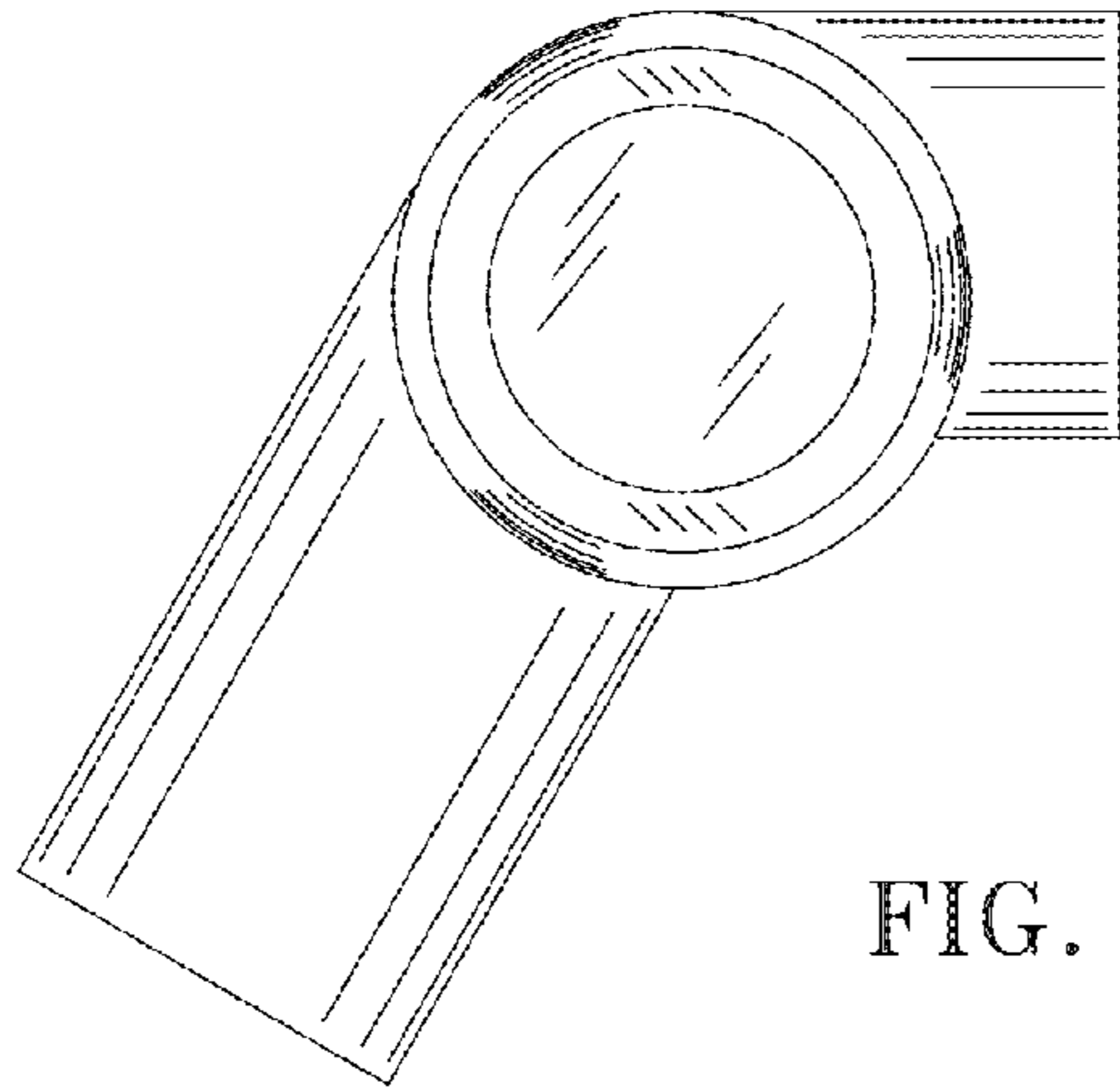


FIG. 4

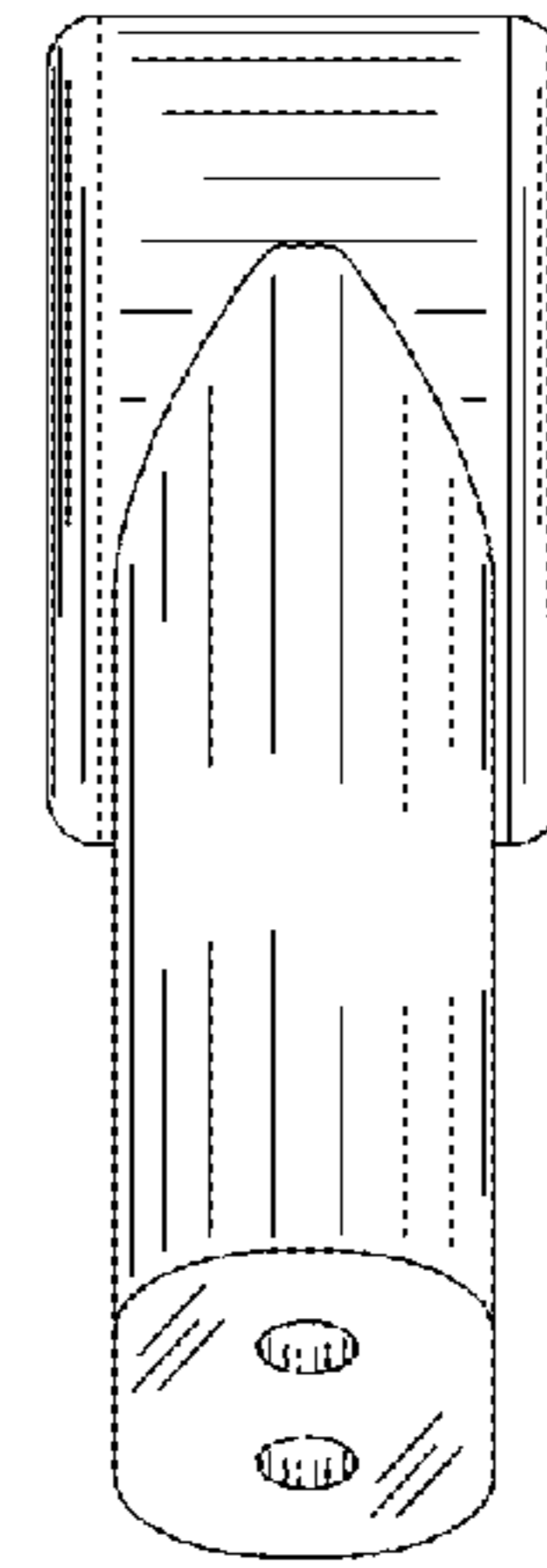


FIG. 5

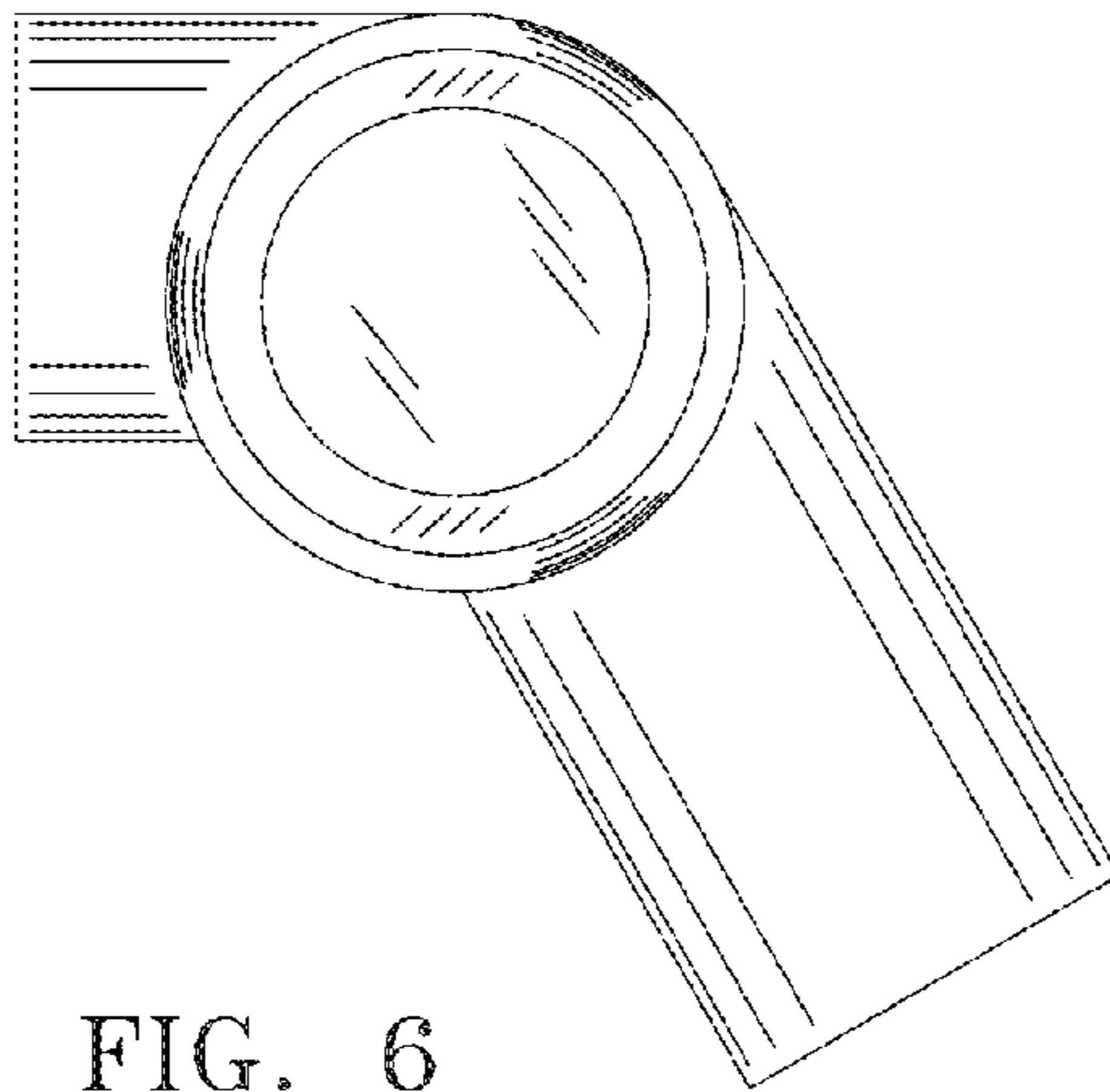


FIG. 6

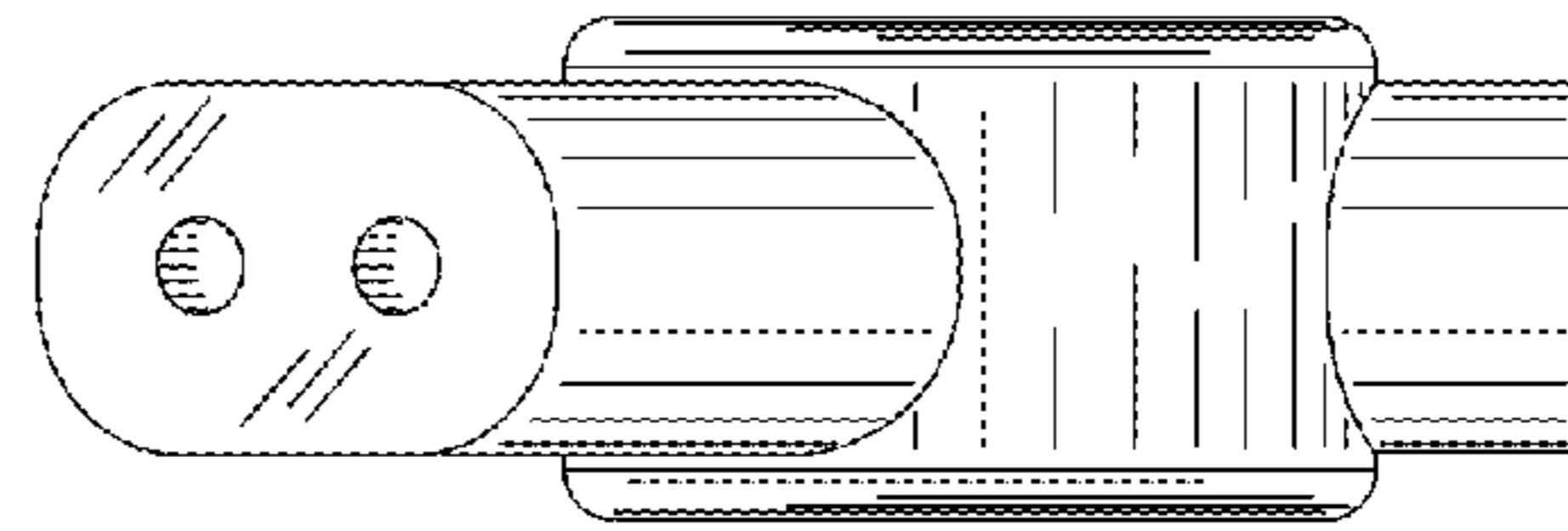


FIG. 7