



US00D706713S

(12) **United States Design Patent**
Giordano et al.

(10) **Patent No.:** **US D706,713 S**
(45) **Date of Patent:** **** Jun. 10, 2014**

(54) **FLEXIBLE ENERGY TRANSFER SYSTEM**

(71) Applicants: **Renato Giordano**, San Juan Capistrano, CA (US); **Hristo Fiziev**, Laguna Niguel, CA (US)

(72) Inventors: **Renato Giordano**, San Juan Capistrano, CA (US); **Hristo Fiziev**, Laguna Niguel, CA (US)

(**) Term: **14 Years**

(21) Appl. No.: **29/473,646**

(22) Filed: **Nov. 25, 2013**

(51) **LOC (10) Cl.** **13-02**

(52) **U.S. Cl.**
USPC **D13/110**

(58) **Field of Classification Search**
USPC D13/110, 101, 107, 108, 118, 121, 123, D13/133, 162, 184, 199; D14/217, 222, D14/299, 432, 433; 257/41, 483, 629, 678, 257/683, 712; 307/43, 46, 66, 67, 151, 152; 310/83, 90, 98; 194/215, 216, 220, 194/225, 228; 237/44, 75; 903/903, 960
See application file for complete search history.

(56) **References Cited**

U.S. PATENT DOCUMENTS

D463,362 S * 9/2002 Alcantar et al. D13/110
D478,309 S * 8/2003 Nagahara et al. D13/110

D546,761 S * 7/2007 Schnackenberg D13/122
D556,686 S * 12/2007 Matsuo et al. D13/110
D673,114 S * 12/2012 Schnackenberg et al. D13/110

* cited by examiner

Primary Examiner — Derrick Holland

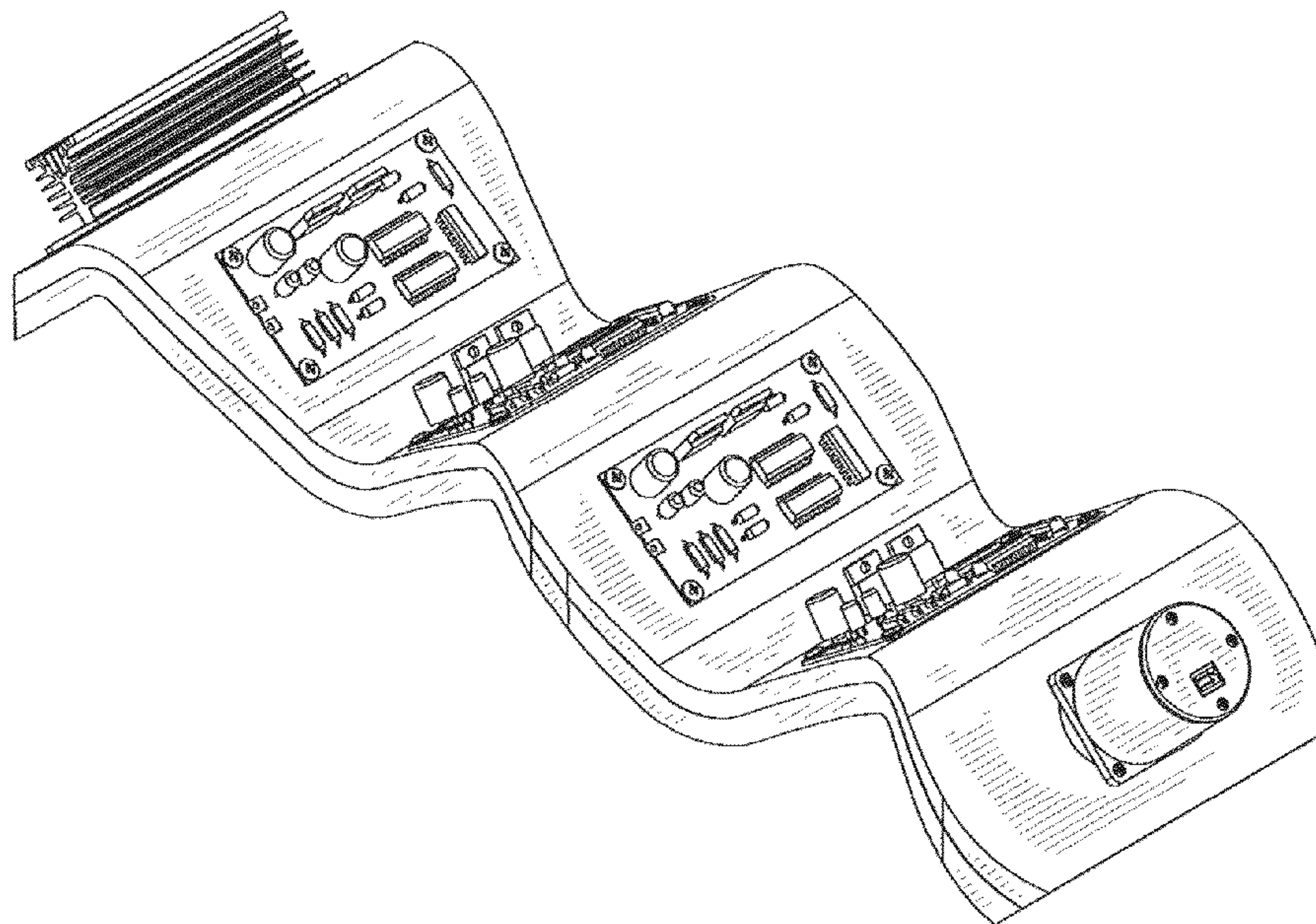
(57) **CLAIM**

The ornamental design for a flexible energy transfer system, as shown and described.

DESCRIPTION

FIG. 1 is a perspective front view of a flexible energy transfer system;
FIG. 2 is a front elevation view of the flexible energy transfer system;
FIG. 3 is a rear elevation view of the flexible energy transfer system;
FIG. 4 is a left elevation view of the flexible energy transfer system;
FIG. 5 is a right elevation view of the flexible energy transfer system;
FIG. 6 is a top plan view of the flexible energy transfer system;
FIG. 7 is a bottom plan view of the flexible energy transfer system; and,
FIG. 8 is a perspective exploded view of the flexible energy transfer system.

1 Claim, 4 Drawing Sheets



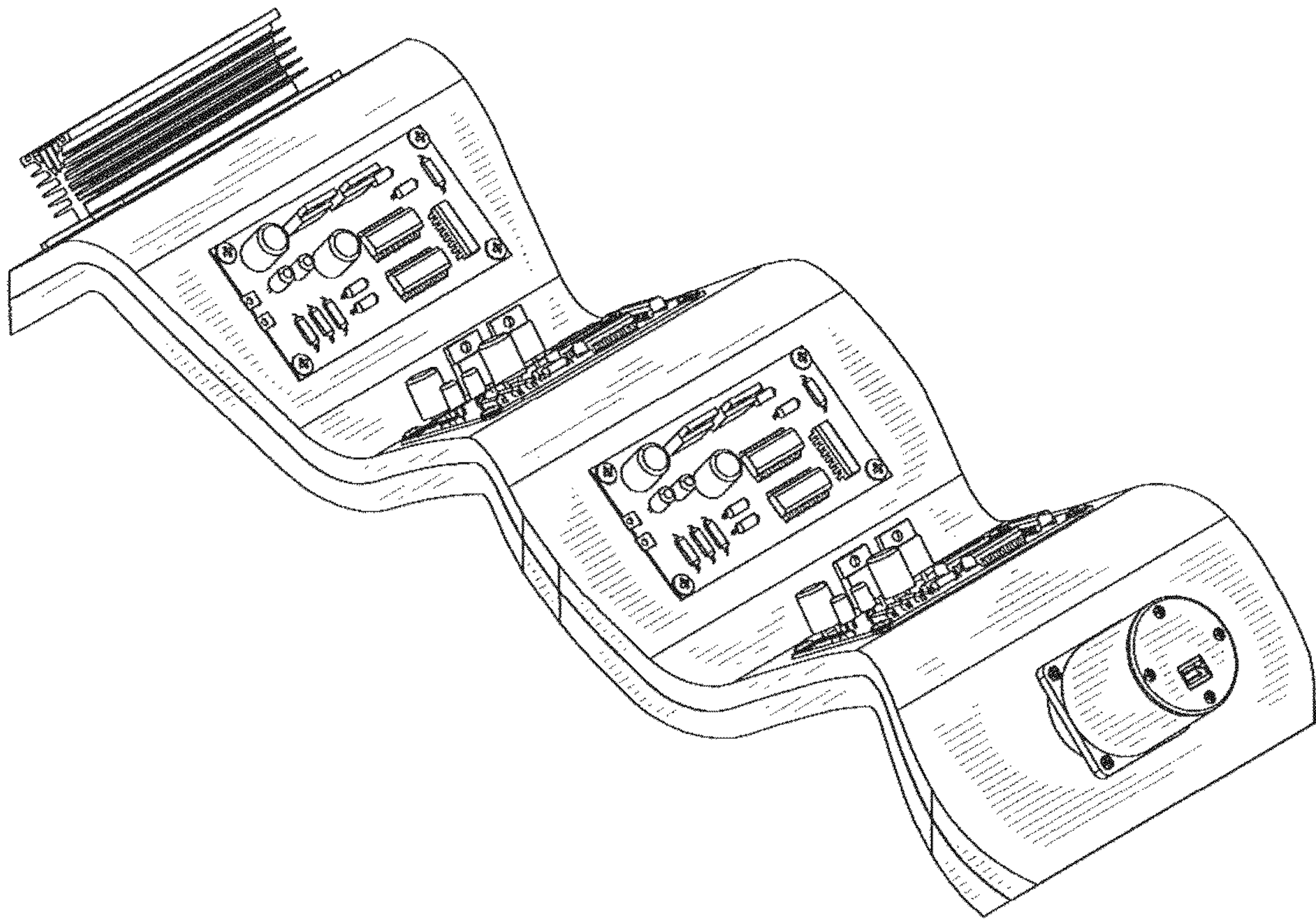


FIG. 1

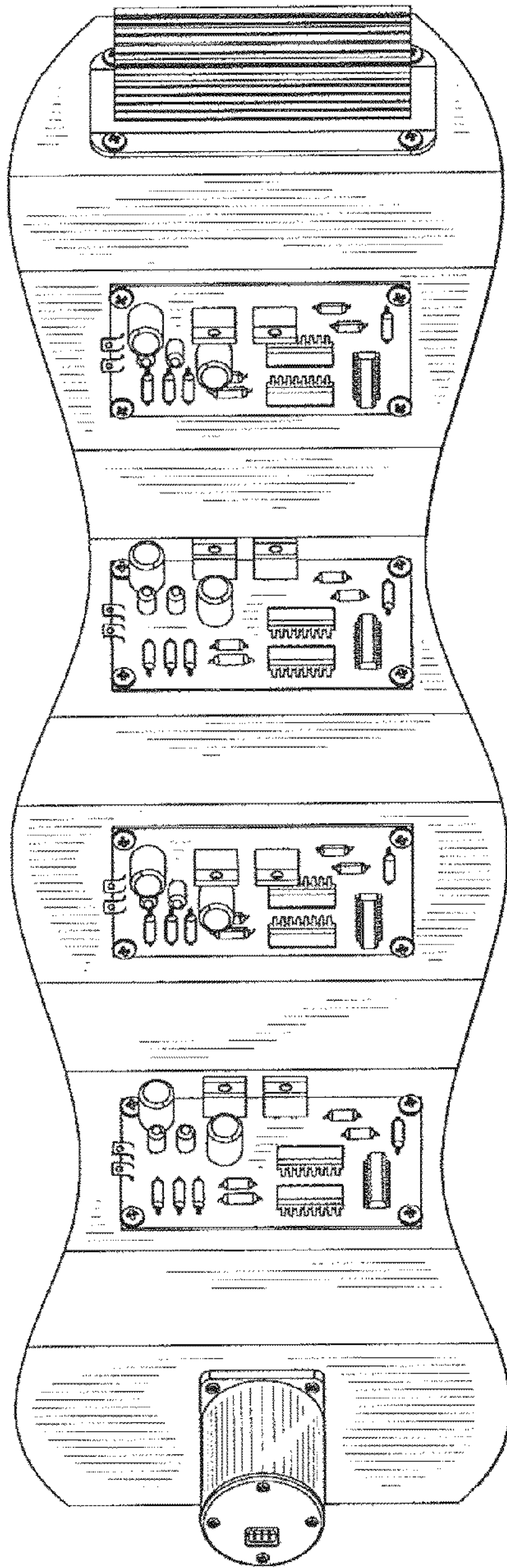


FIG. 2

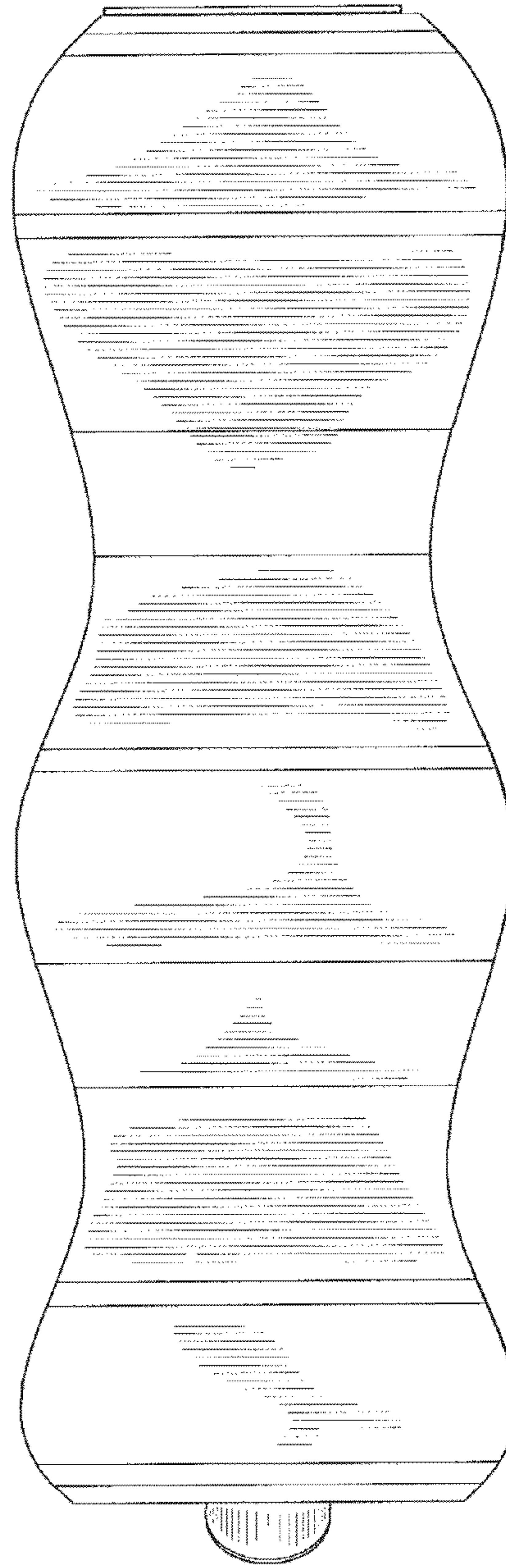


FIG. 3

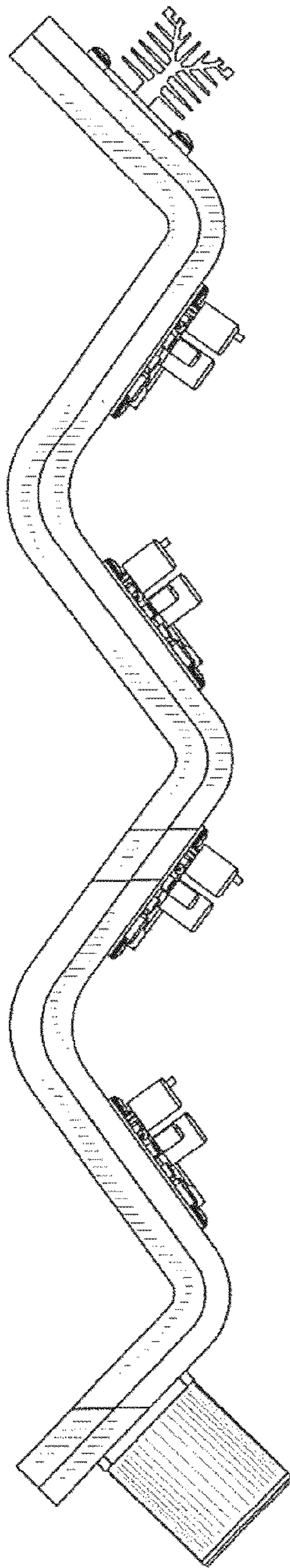


FIG. 4

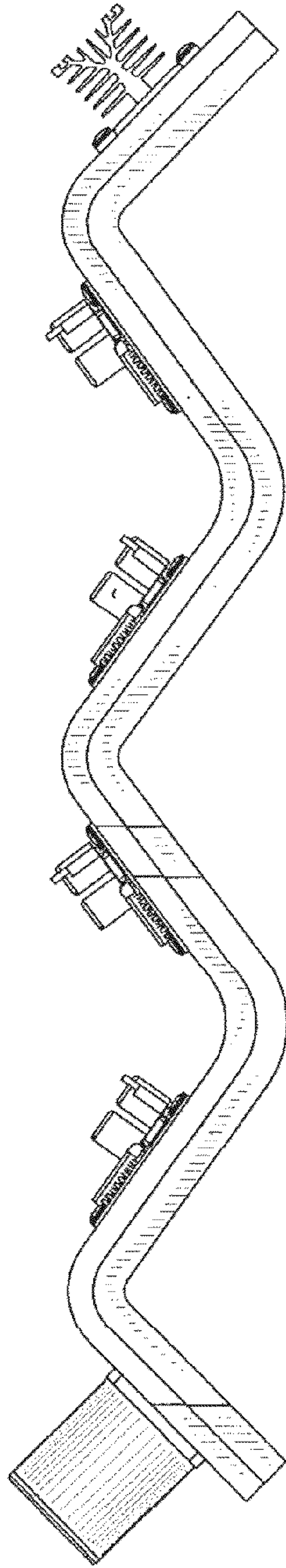


FIG. 5

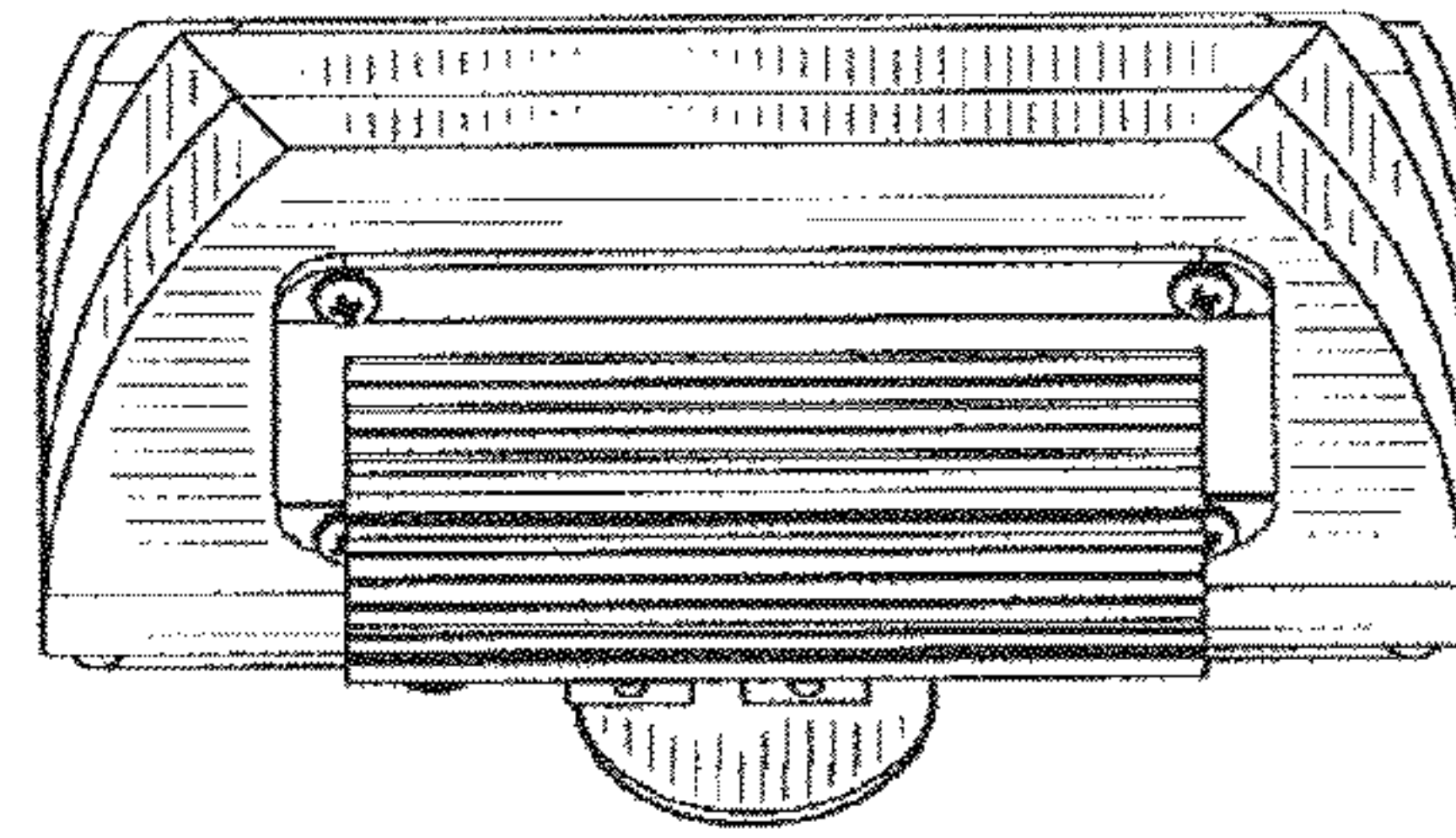


FIG. 6

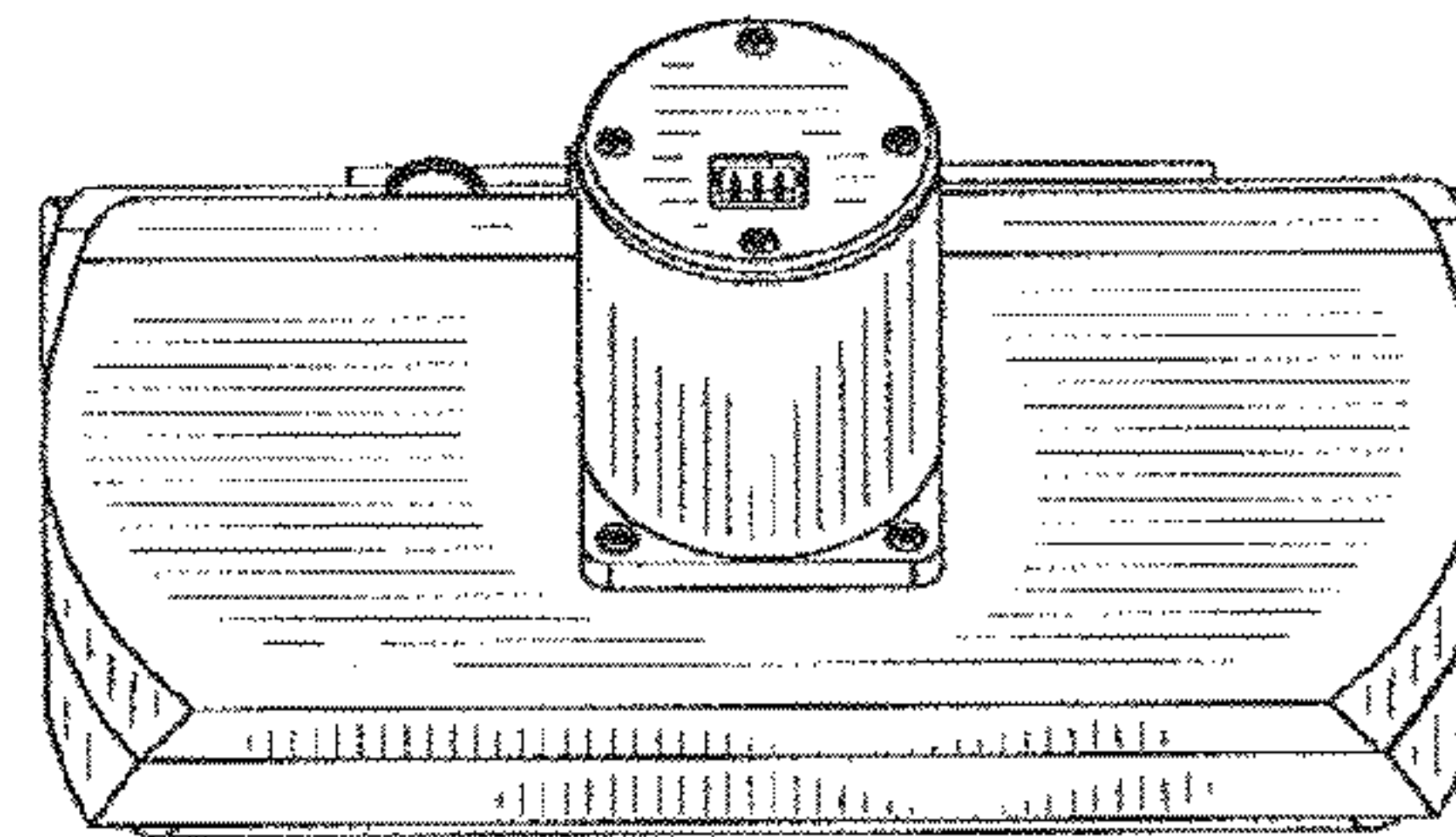


FIG. 7

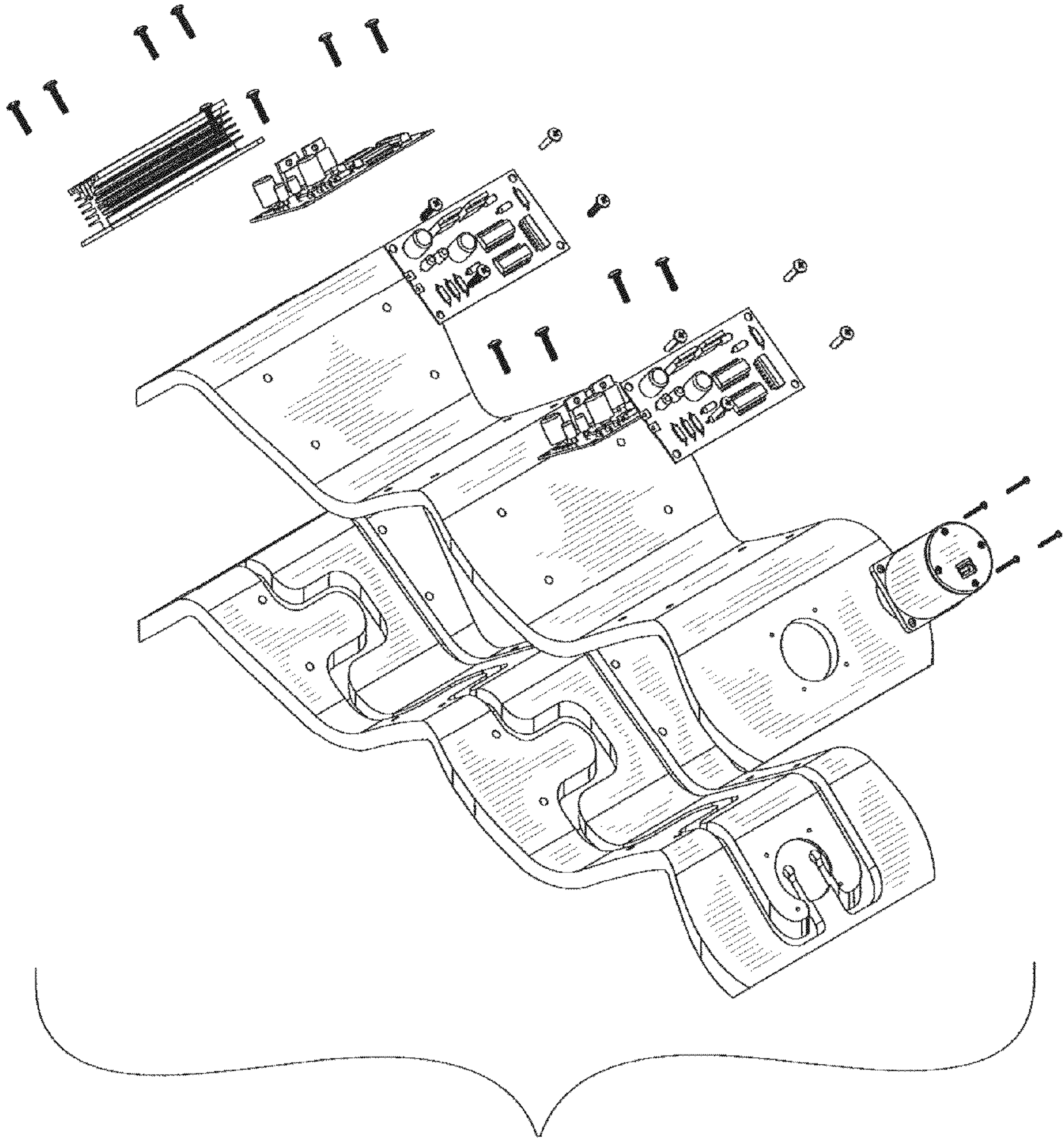


FIG. 8