



US00D706712S

(12) **United States Design Patent**
Lampe

(10) **Patent No.:** **US D706,712 S**
(45) **Date of Patent:** **** Jun. 10, 2014**

- (54) **ELECTRICAL APPARATUS**
- (71) Applicant: **SMA Solar Technology AG**, Niestetal (DE)
- (72) Inventor: **Frank Lampe**, Guxhagen (DE)
- (73) Assignee: **SMA Solar Technology AG**, Niestetal (DE)
- (**) Term: **14 Years**
- (21) Appl. No.: **29/455,593**
- (22) Filed: **May 22, 2013**
- (30) **Foreign Application Priority Data**
Nov. 22, 2012 (EP) 002140855-0004
- (51) **LOC (10) Cl.** **13-02**
- (52) **U.S. Cl.**
USPC **D13/110**
- (58) **Field of Classification Search**
USPC D13/110, 101, 102, 123, 162, 184, 199;
D14/348, 349, 353, 357, 358; 361/600,
361/601, 702, 704, 707, 715, 730; 363/15,
363/35, 157, 174, 175, 177; 136/205, 206
See application file for complete search history.

- (56) **References Cited**
U.S. PATENT DOCUMENTS
D381,623 S * 7/1997 Sugino et al. D13/110
D423,452 S * 4/2000 Fujisawa et al. D13/110
D490,051 S * 5/2004 Kikumoto D13/102

- D507,528 S * 7/2005 Feldman et al. D13/110
- D582,842 S * 12/2008 Wei D13/102
- D604,237 S * 11/2009 Engel et al. D13/110
- D604,239 S * 11/2009 Engel et al. D13/110
- D608,735 S * 1/2010 Kashimoto D13/110
- D644,603 S * 9/2011 Liu D13/102
- D672,310 S * 12/2012 Scharf et al. D13/110

* cited by examiner

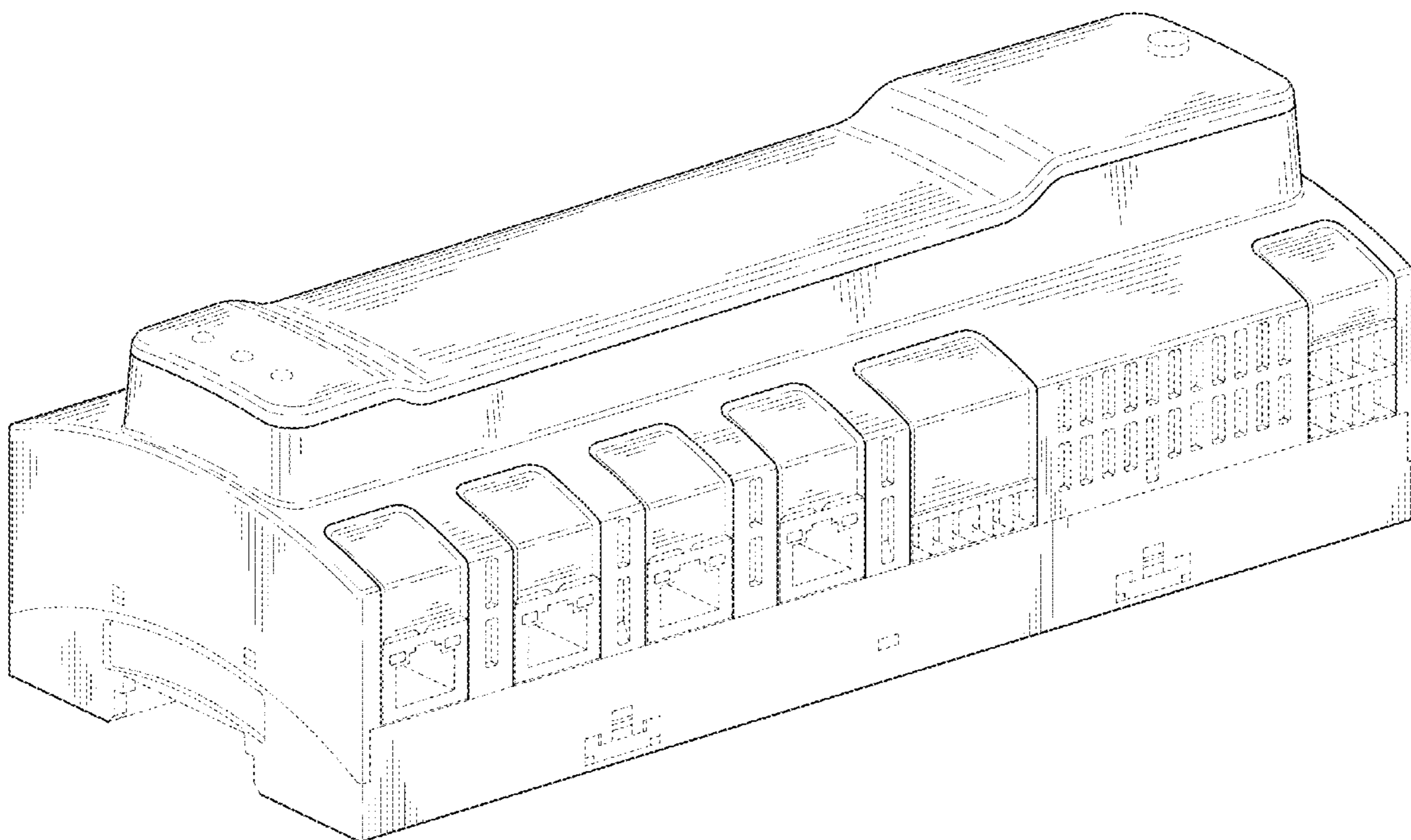
Primary Examiner — Derrick Holland
(74) *Attorney, Agent, or Firm* — Eschweiler & Associates, LLC

(57) **CLAIM**
The ornamental design for an electrical apparatus, as shown and described.

DESCRIPTION

FIG. 1 is a top, front, and left side perspective view of an electrical apparatus showing my new design; FIG. 2 is a top, front, and right side perspective view thereof; FIG. 3 is a left side elevation view thereof; FIG. 4 is a right side elevation view thereof; FIG. 5 is a back elevation view thereof; FIG. 6 is a front elevation view thereof; FIG. 7 is a top plan view thereof; and, FIG. 8 is a bottom plan view thereof. The broken lines shown represent unclaimed subject matter and form no part of the claim. Where broken lines abut a claimed surface it is understood that those broken lines represent an unclaimed boundary between claimed and unclaimed surfaces. None of the broken lines form any part of the claimed design.

1 Claim, 6 Drawing Sheets



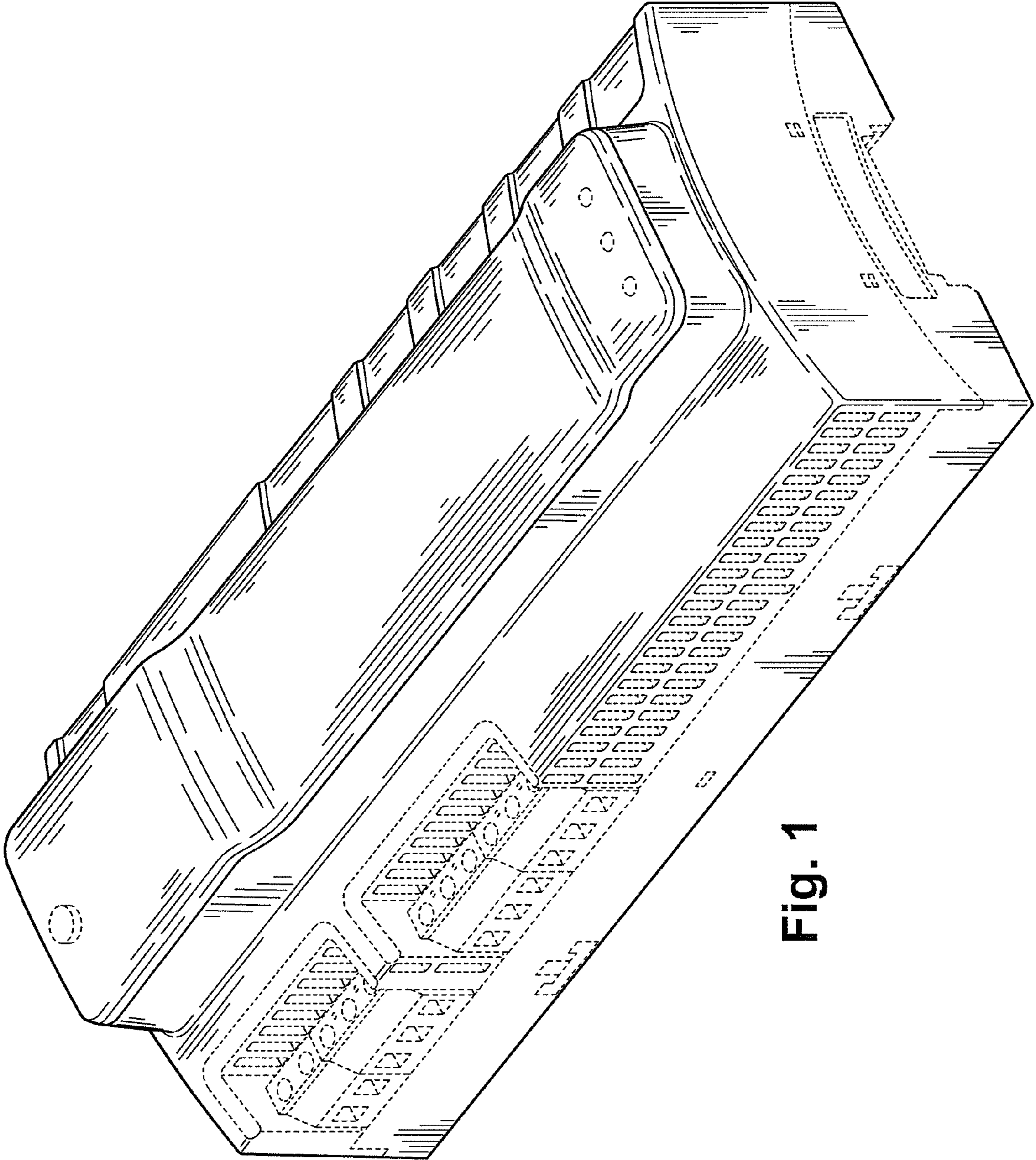


Fig. 1

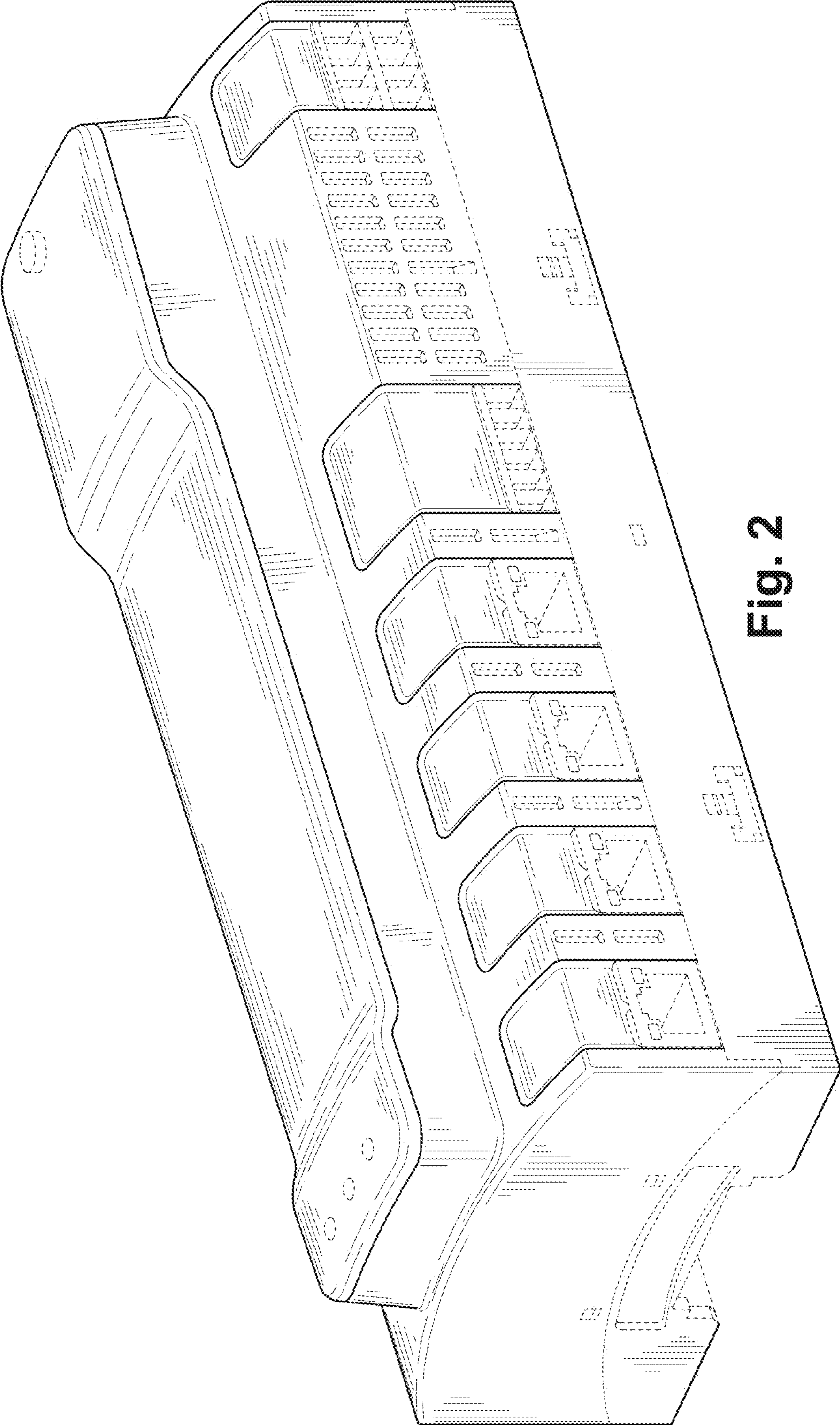


Fig. 2

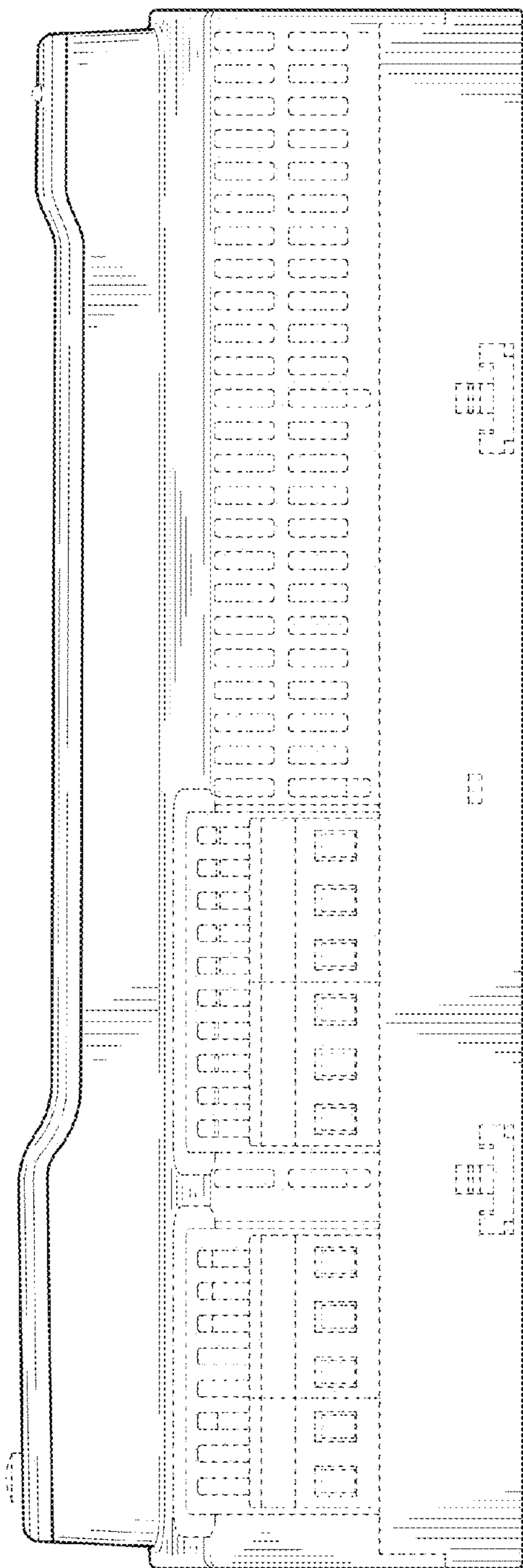


Fig. 3

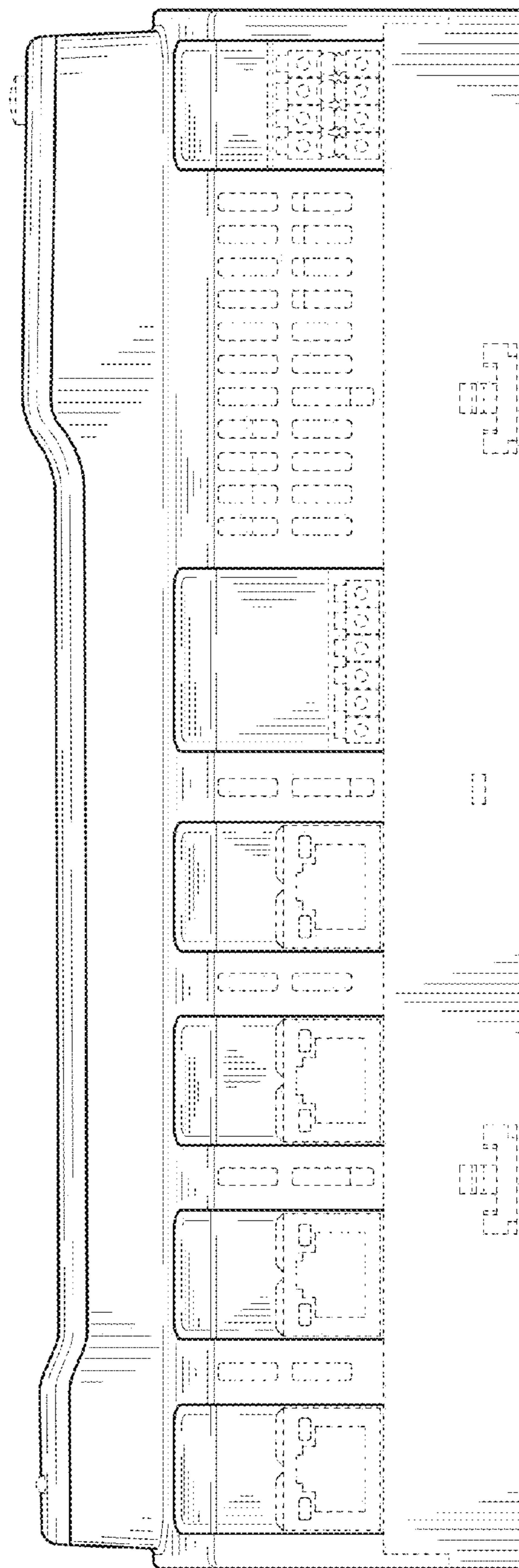


Fig. 4

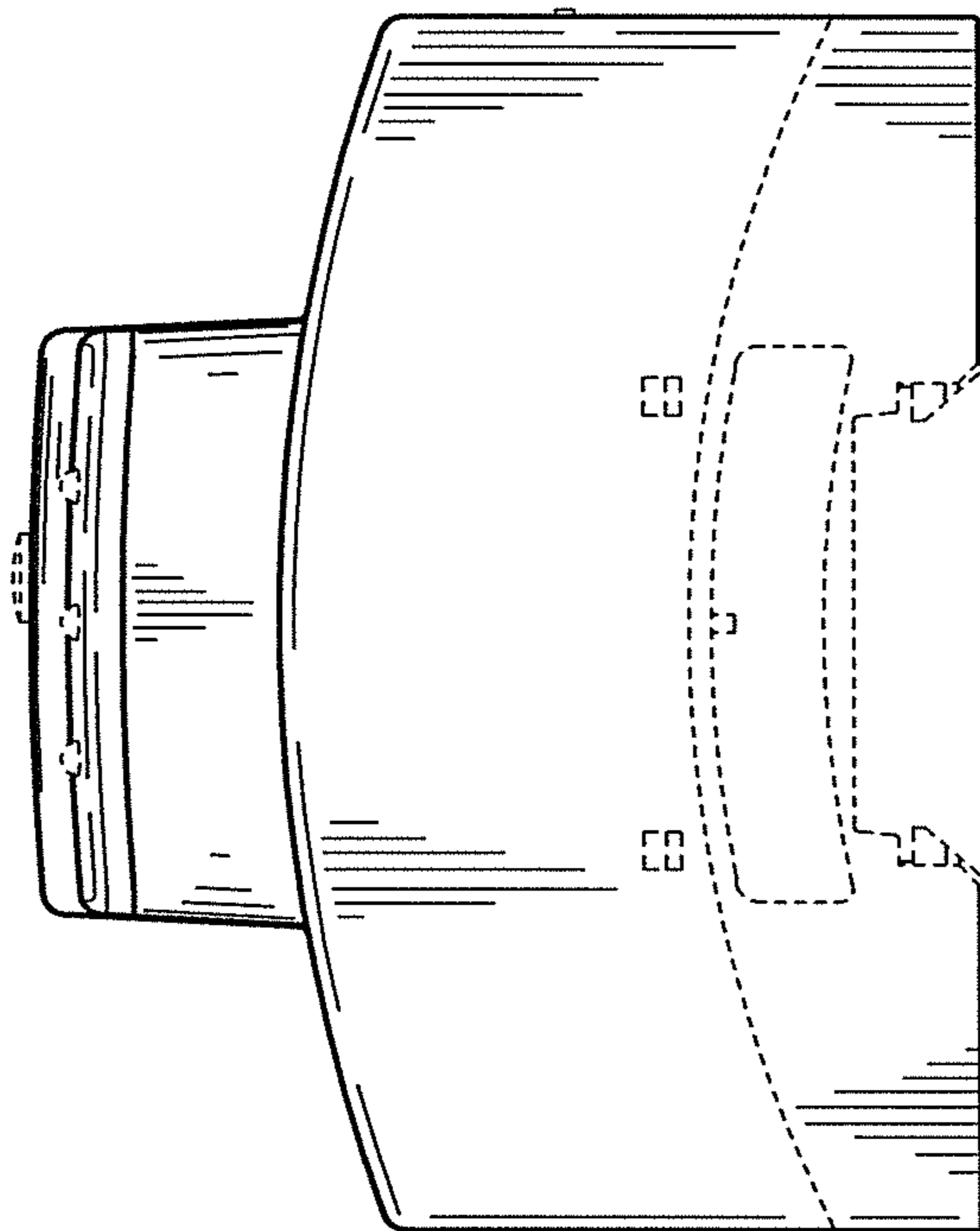


Fig. 6

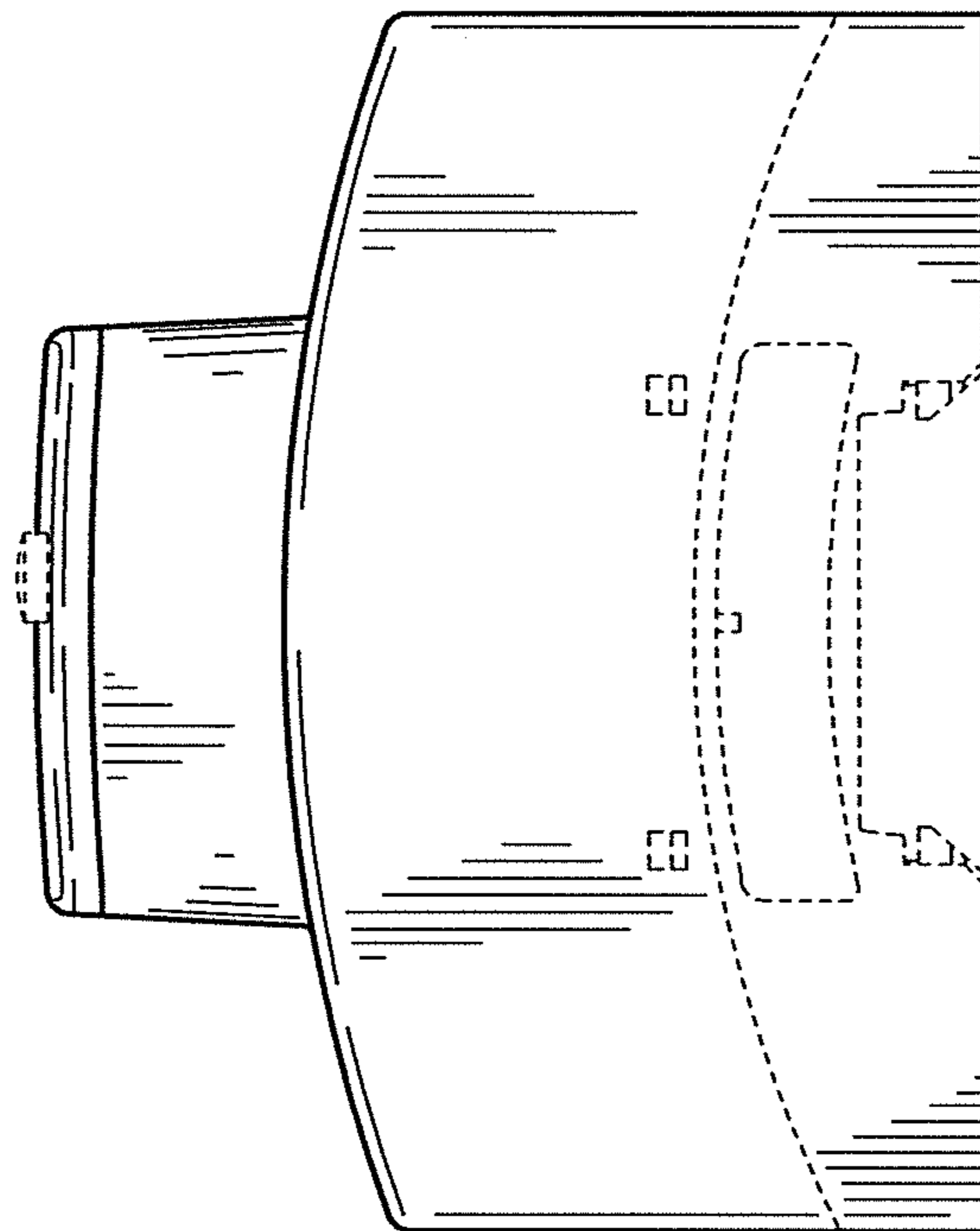


Fig. 5

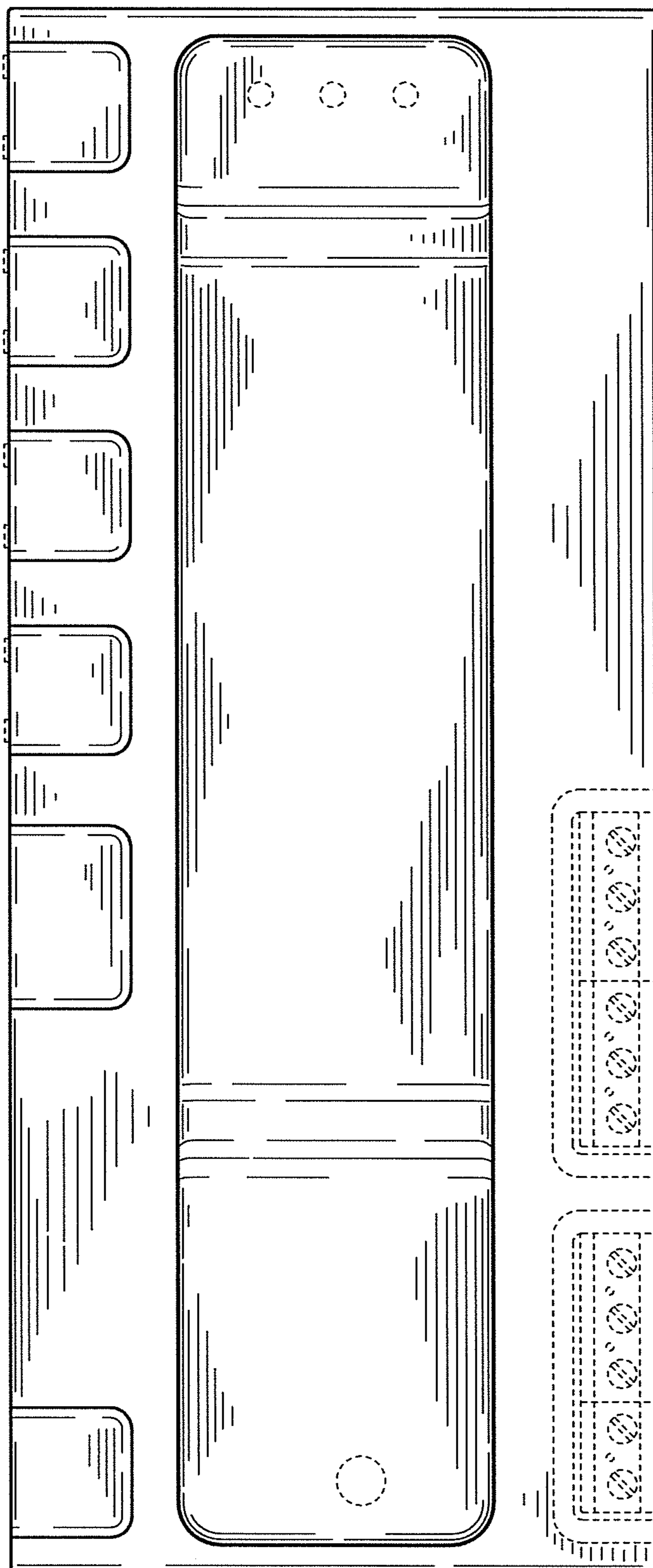


Fig. 7

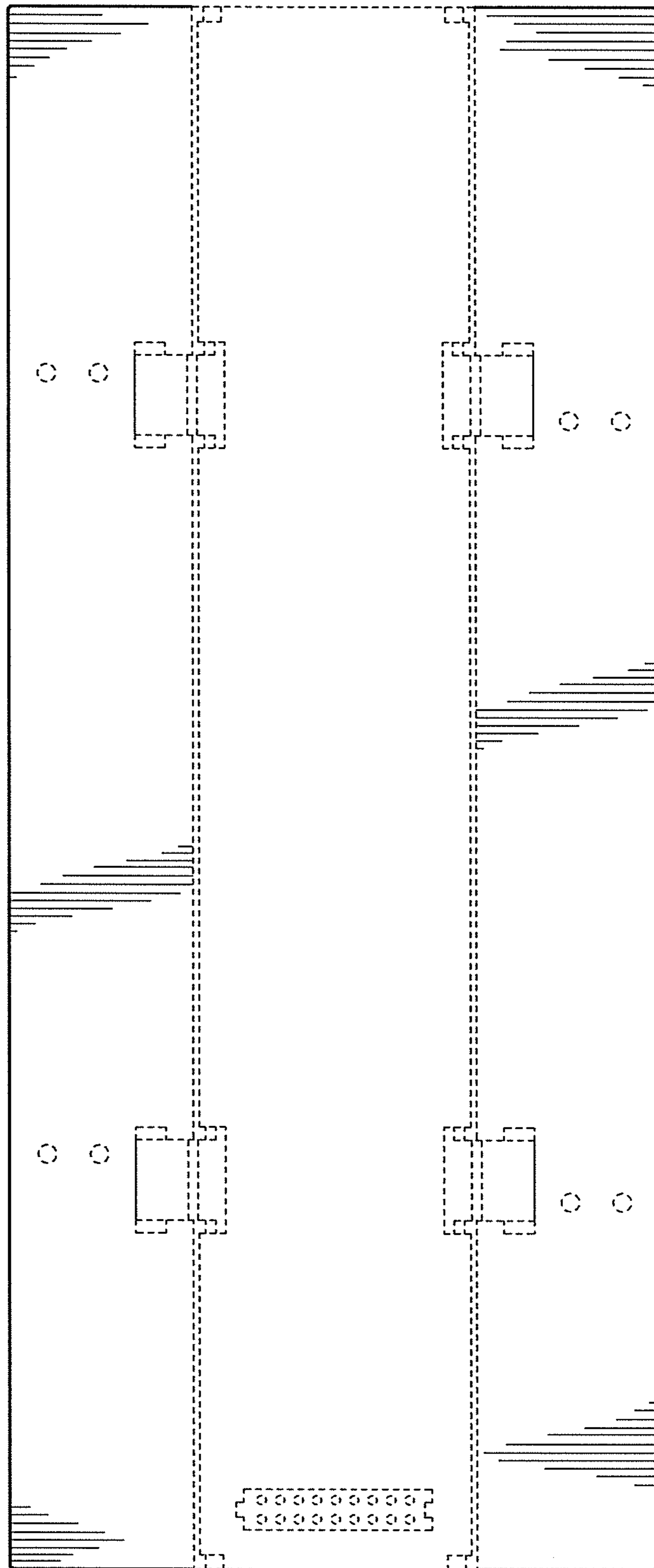


Fig. 8