



US00D706711S

(12) **United States Design Patent**
Robinson et al.

(10) **Patent No.:** **US D706,711 S**
(45) **Date of Patent:** **** Jun. 10, 2014**

(54) **PORTABLE POWER MANAGER ENCLOSURE**

(56)

References Cited

(75) Inventors: **Philip T. Robinson**, Harvard, MA (US);
Matthew P. Steinbroner, Sandy Hook,
CT (US)

(73) Assignee: **Protonex Technology Corporation**,
Southborough, MA (US)

(**) Term: **14 Years**

(21) Appl. No.: **29/414,239**

(22) Filed: **Feb. 27, 2012**

U.S. PATENT DOCUMENTS

D373,964	S	*	9/1996	Alexander	D10/106.1
D423,449	S	*	4/2000	Naskali	D13/103
D424,528	S	*	5/2000	Dernehl	D13/184
D584,224	S	*	1/2009	Mori et al.	D13/103
D590,339	S	*	4/2009	Yang et al.	D13/110
D640,192	S	*	6/2011	Robinson et al.	D13/107
D657,309	S	*	4/2012	Robinson et al.	D13/107
D679,205	S	*	4/2013	Eyring et al.	D10/50
D686,995	S	*	7/2013	Nikayin	D13/152
D693,763	S	*	11/2013	Ray et al.	D13/108
D695,215	S	*	12/2013	Neidhart et al.	D13/107
D697,865	S	*	1/2014	Saito et al.	D13/103
2013/0082543	A1	*	4/2013	Tang	307/150

* cited by examiner

Related U.S. Application Data

(60) Continuation-in-part of application No. 29/394,688,
filed on Jun. 20, 2011, now Pat. No. Des. 657,309,
which is a division of application No. 29/363,833, filed
on Jun. 15, 2010, now Pat. No. Des. 640,192.

(51) **LOC (10) Cl.** **13-02**

(52) **U.S. Cl.**
USPC **D13/110**

(58) **Field of Classification Search**
USPC D13/103, 107, 108, 118, 119, 110, 152,
D13/184, 199; 307/150, 151; 320/107, 128,
320/137, 162, 164; 323/297, 300, 371;
713/300, 310; 439/892, 894;
D21/484-486, 489, 491, 494, 495,
D21/499; D10/106.1, 25, 27, 28, 49, 50

See application file for complete search history.

Primary Examiner — Thomas Johannes

Assistant Examiner — Khawaja Anwar

(74) *Attorney, Agent, or Firm* — Edwards Wildman Palmer
LLP; George N. Chaclas

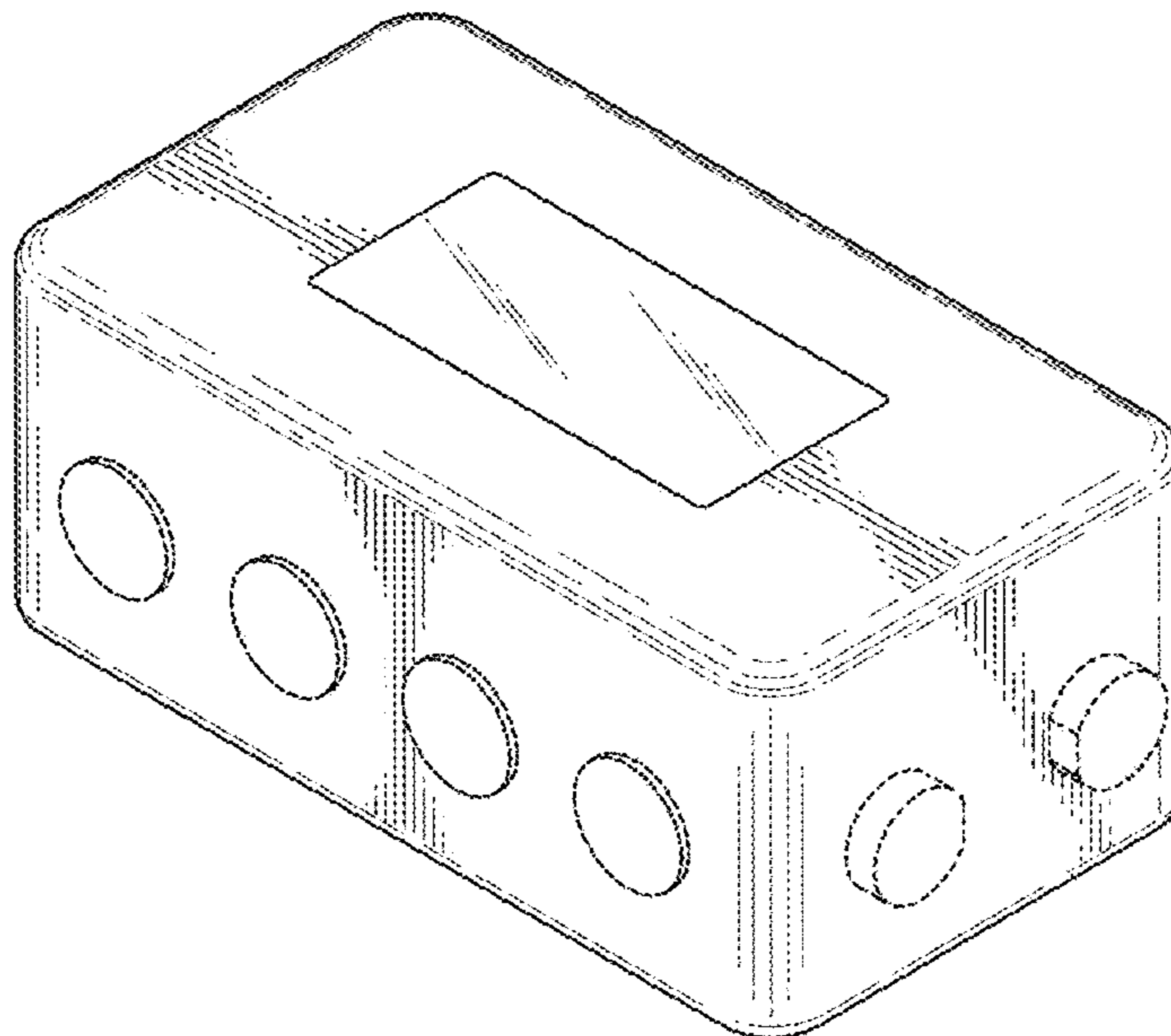
(57) **CLAIM**

We claim the ornamental design for a portable power man-
ager enclosure, as shown and described.

DESCRIPTION

FIG. 1 is a perspective view of the top, front, and left side of
a portable power manager enclosure showing our new design;
FIG. 2 is a top view thereof;
FIG. 3 is a left side view thereof;
FIG. 4 is a front view thereof; the back view being a mirror
image thereto;
FIG. 5 is a right side view thereof; and,
FIG. 6 is a bottom view thereof.
The broken lines in the drawing show unclaimed environment
only and form no part of the claimed design.

1 Claim, 6 Drawing Sheets



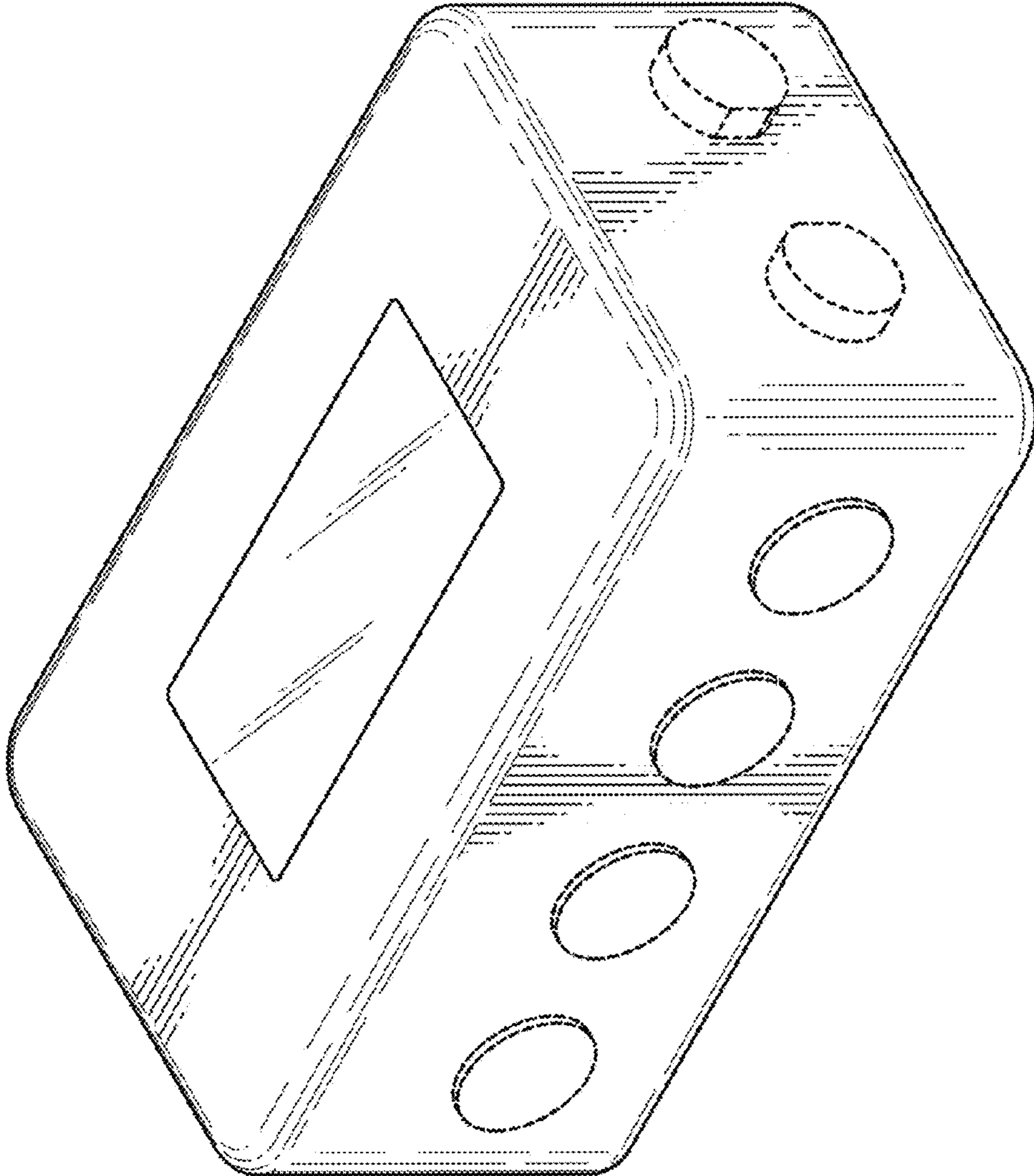


FIG. 1

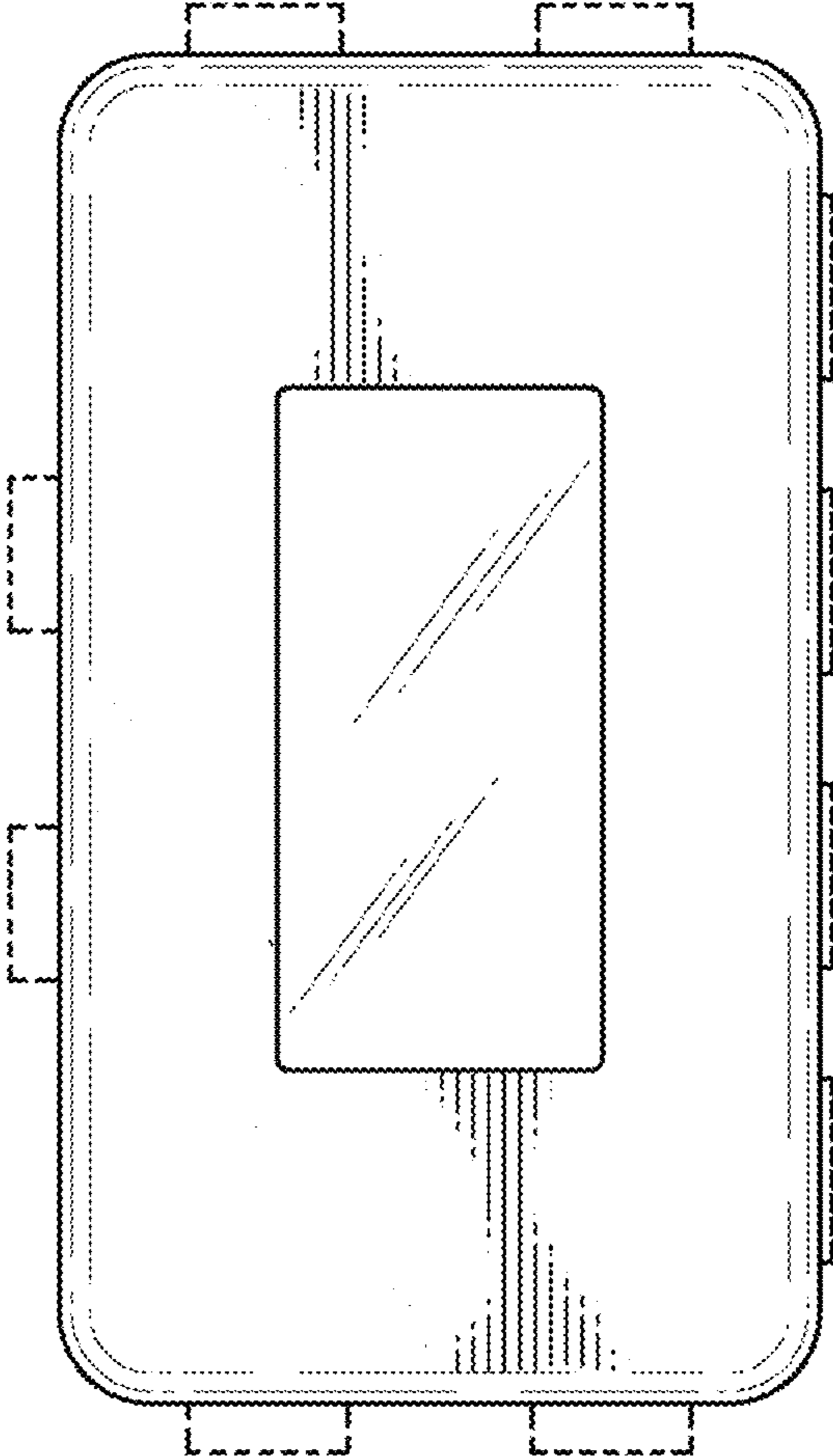


FIG. 2

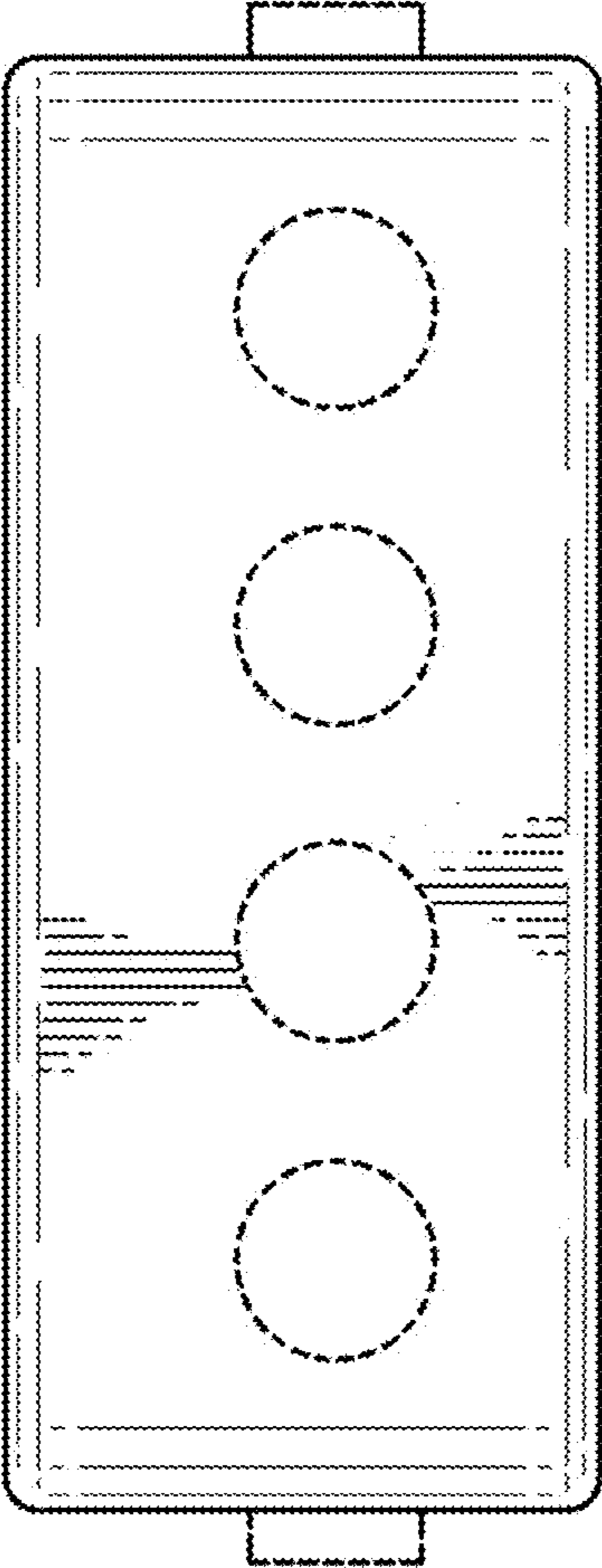


FIG. 3

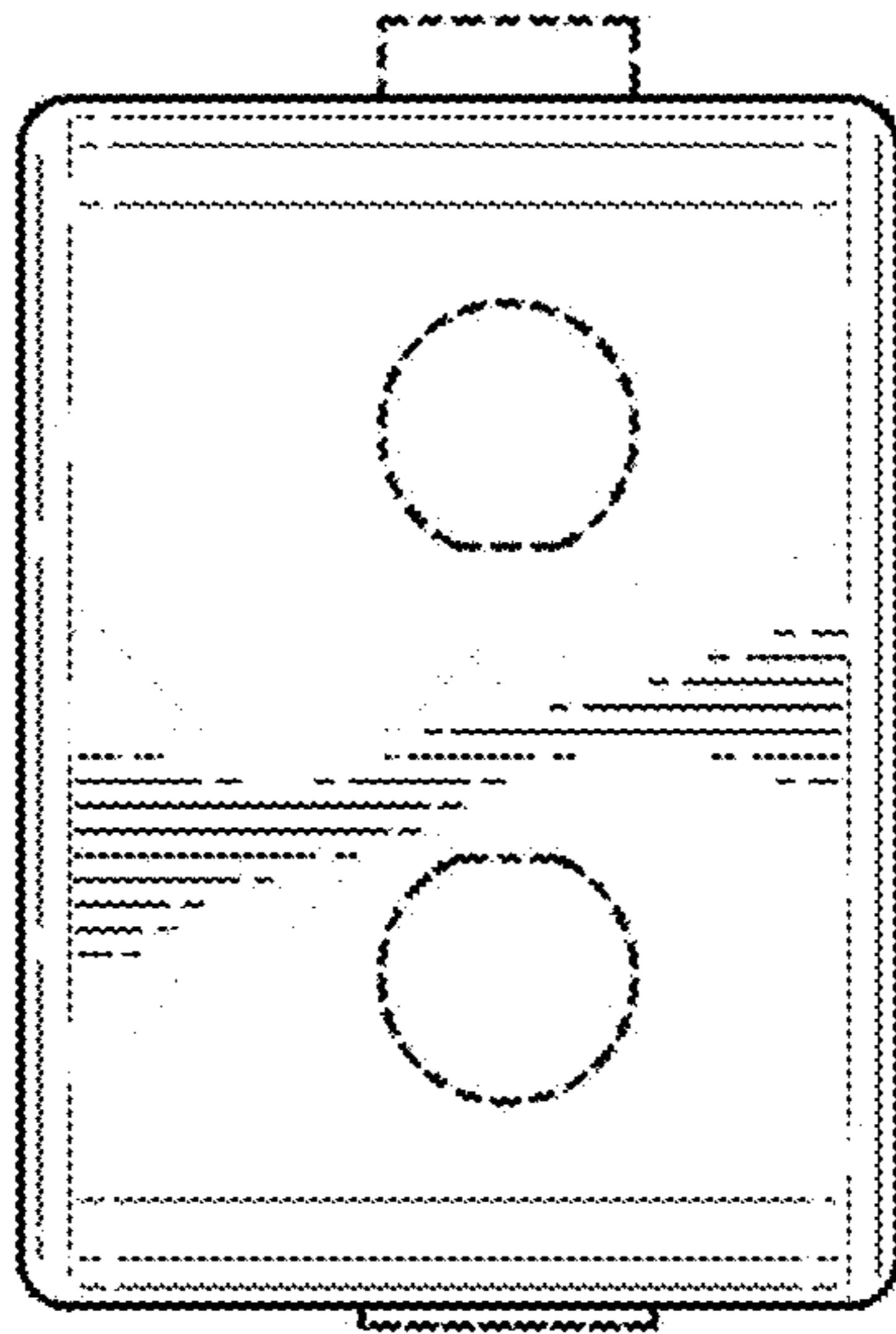


FIG. 4

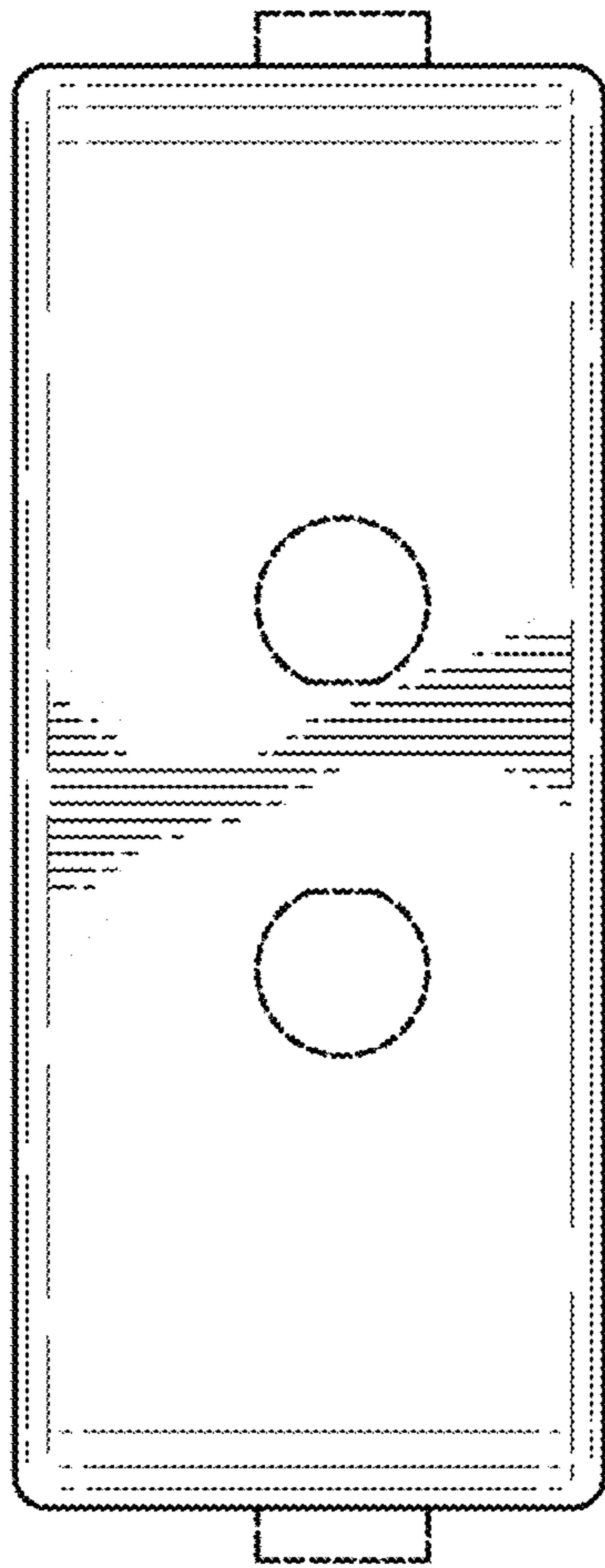


FIG. 5

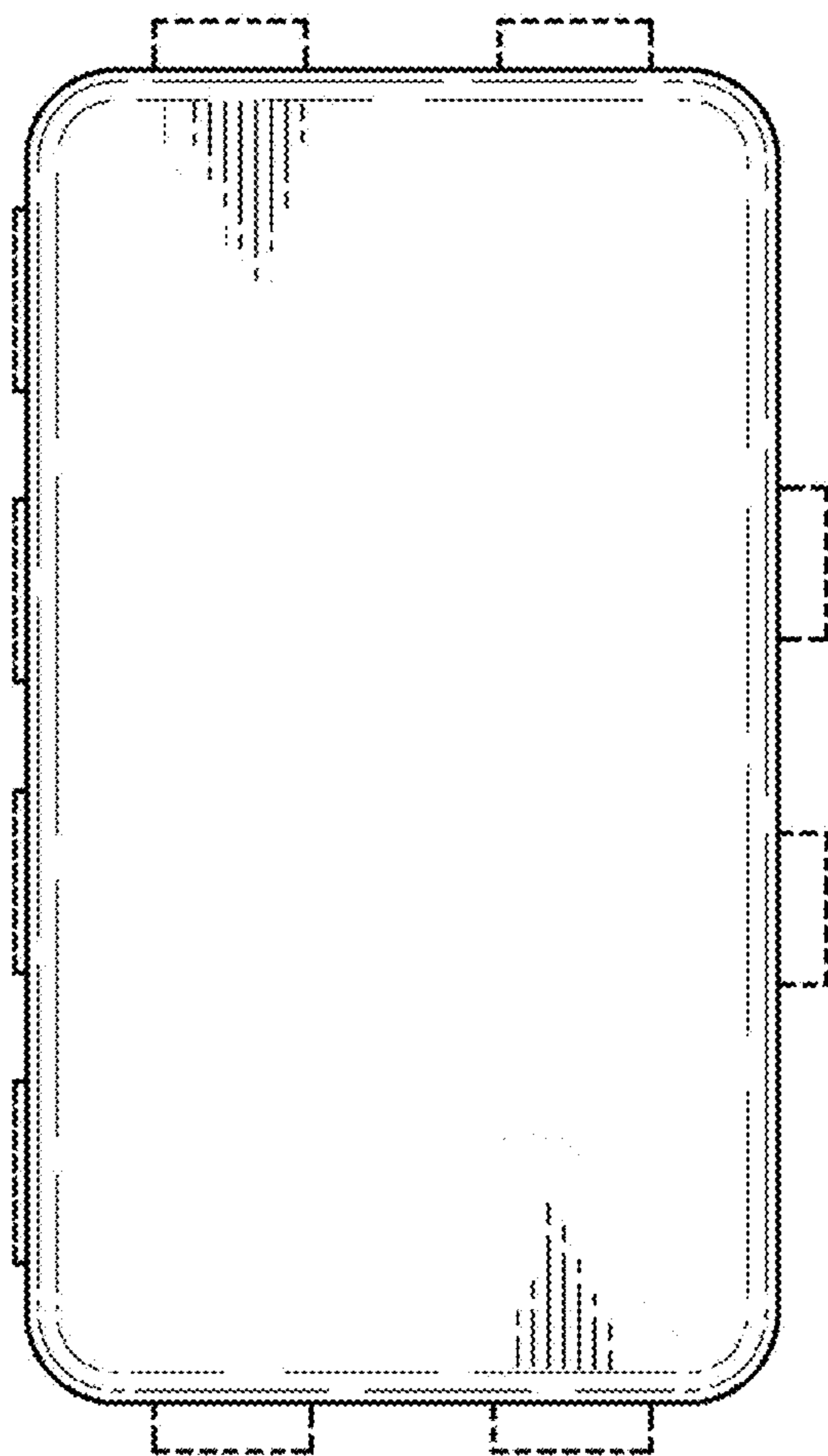


FIG. 6