



US00D706710S

(12) **United States Design Patent**  
**Inskeep**

(10) **Patent No.:** **US D706,710 S**  
(45) **Date of Patent:** **\*\* Jun. 10, 2014**

(54) **JUMP STARTER**

(71) Applicant: **Mathew Inskeep**, Boca Raton, FL (US)

(72) Inventor: **Mathew Inskeep**, Boca Raton, FL (US)

(\*\*) Term: **14 Years**

(21) Appl. No.: **29/471,643**

(22) Filed: **Nov. 4, 2013**

(51) **LOC (10) Cl.** ..... **13-02**

(52) **U.S. Cl.**  
USPC ..... **D13/107**

(58) **Field of Classification Search**

CPC ..... Y02E 60/12; Y02T 90/14; Y02T 90/122;  
Y02T 90/128; Y02T 90/163; Y02T 10/7005;  
Y02T 10/705; Y02T 10/7088; H02J 7/025;  
H02J 7/0034; H02J 7/0042; H02J 7/0044;  
H02J 7/0045; H02J 7/0054; H02J 7/1423;  
H02J 7/0003; H02J 2001/006; H01F 38/14;  
H01R 13/6675; H01M 2/1022; H01M 2/1055;  
H01M 10/44; H01M 10/46; H01M 10/425;  
B60L 11/182

USPC ..... D13/106-110, 118-119, 184, 199;  
D15/9; 320/103-105, 107-115

See application file for complete search history.

(56) **References Cited**

**U.S. PATENT DOCUMENTS**

D503,148 S \* 3/2005 Krieger et al. .... D13/107

D511,491 S \* 11/2005 Hriscu et al. .... D13/107  
D517,983 S \* 3/2006 Krieger et al. .... D13/107  
D519,448 S \* 4/2006 Leung ..... D13/107  
D527,342 S \* 8/2006 Krieger et al. .... D13/107  
D530,664 S \* 10/2006 Wingerter et al. .... D13/107  
D549,170 S \* 8/2007 Yen ..... D13/107  
D601,496 S \* 10/2009 Shum et al. .... D13/107  
D635,090 S \* 3/2011 DuMelle et al. .... D13/107  
D653,203 S \* 1/2012 DuMelle et al. .... D13/107  
D653,612 S \* 2/2012 DuMelle et al. .... D13/107  
D654,865 S \* 2/2012 DuMelle et al. .... D13/107

\* cited by examiner

*Primary Examiner* — Rosemary K Tarcza

(57) **CLAIM**

I claim the ornamental design for a jump starter, as shown and described.

**DESCRIPTION**

FIG. 1 is a perspective view of the jump starter showing my new design.

FIG. 2 is a bottom perspective view thereof.

FIG. 3 is a front view thereof.

FIG. 4 is a back view thereof.

FIG. 5 is a left side view thereof.

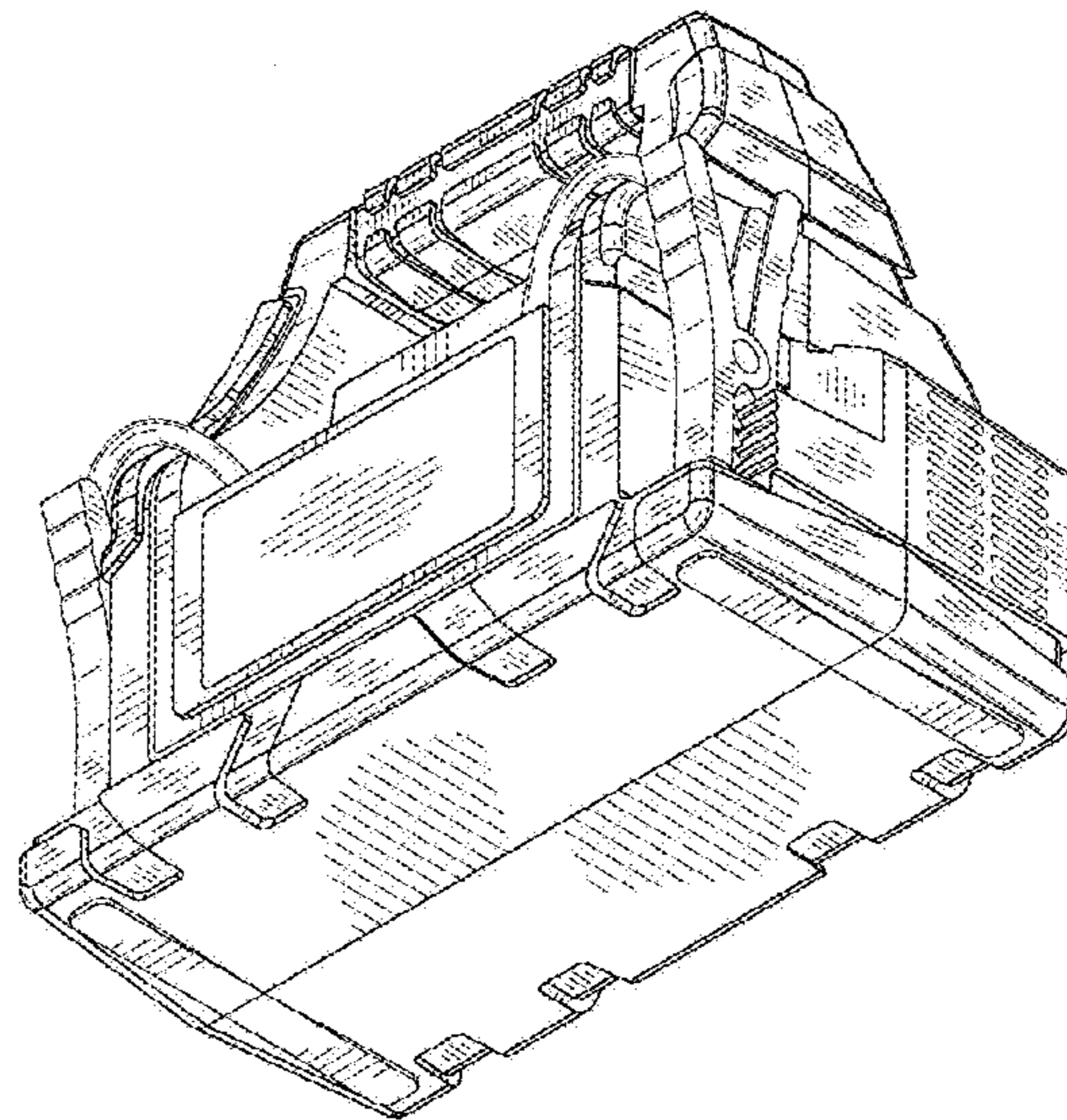
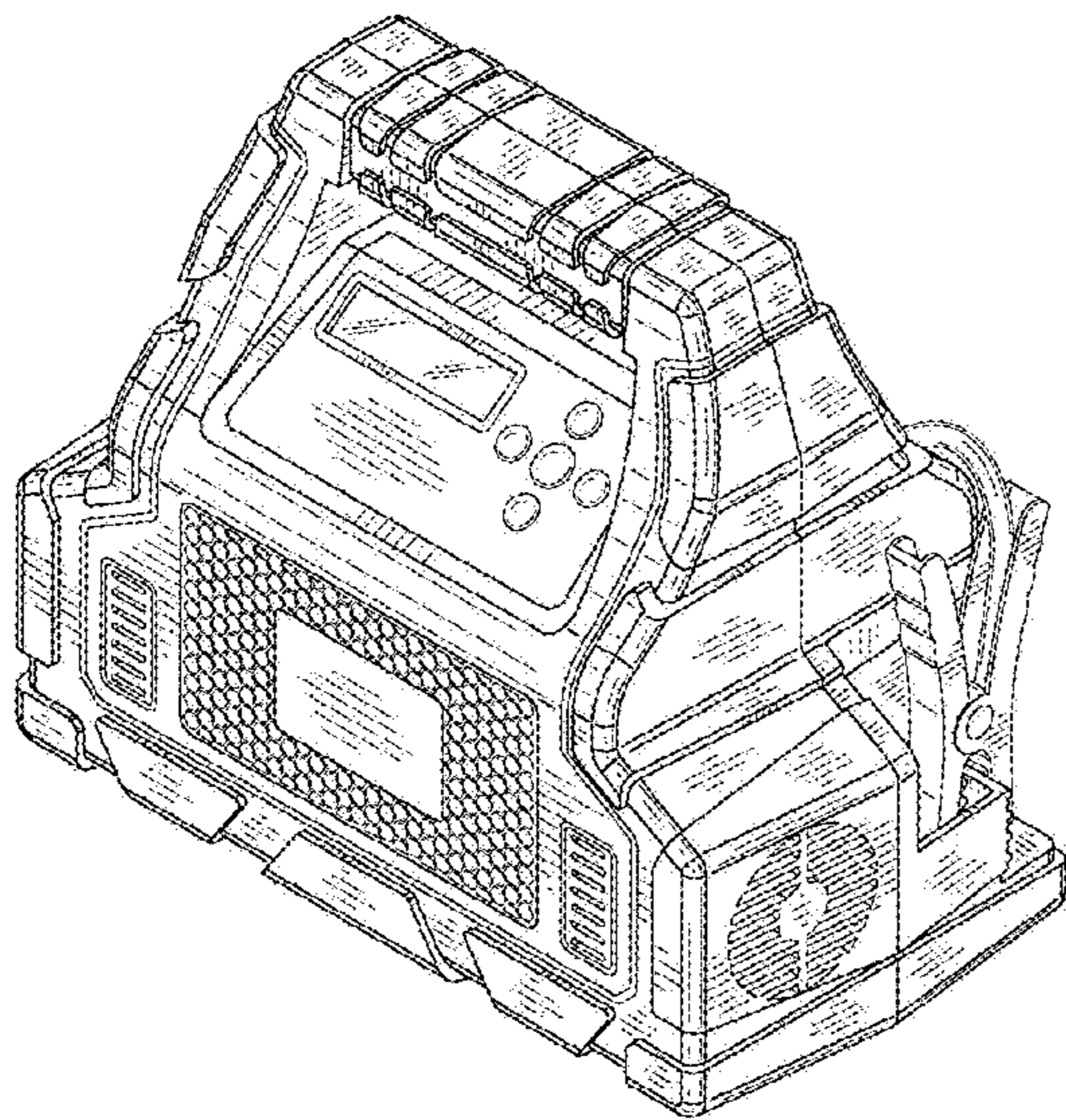
FIG. 6 is a right side view thereof.

FIG. 7 is a top view thereof.

FIG. 8 is a bottom view thereof; and,

FIG. 9 is a top perspective view with cables extended.

**1 Claim, 7 Drawing Sheets**



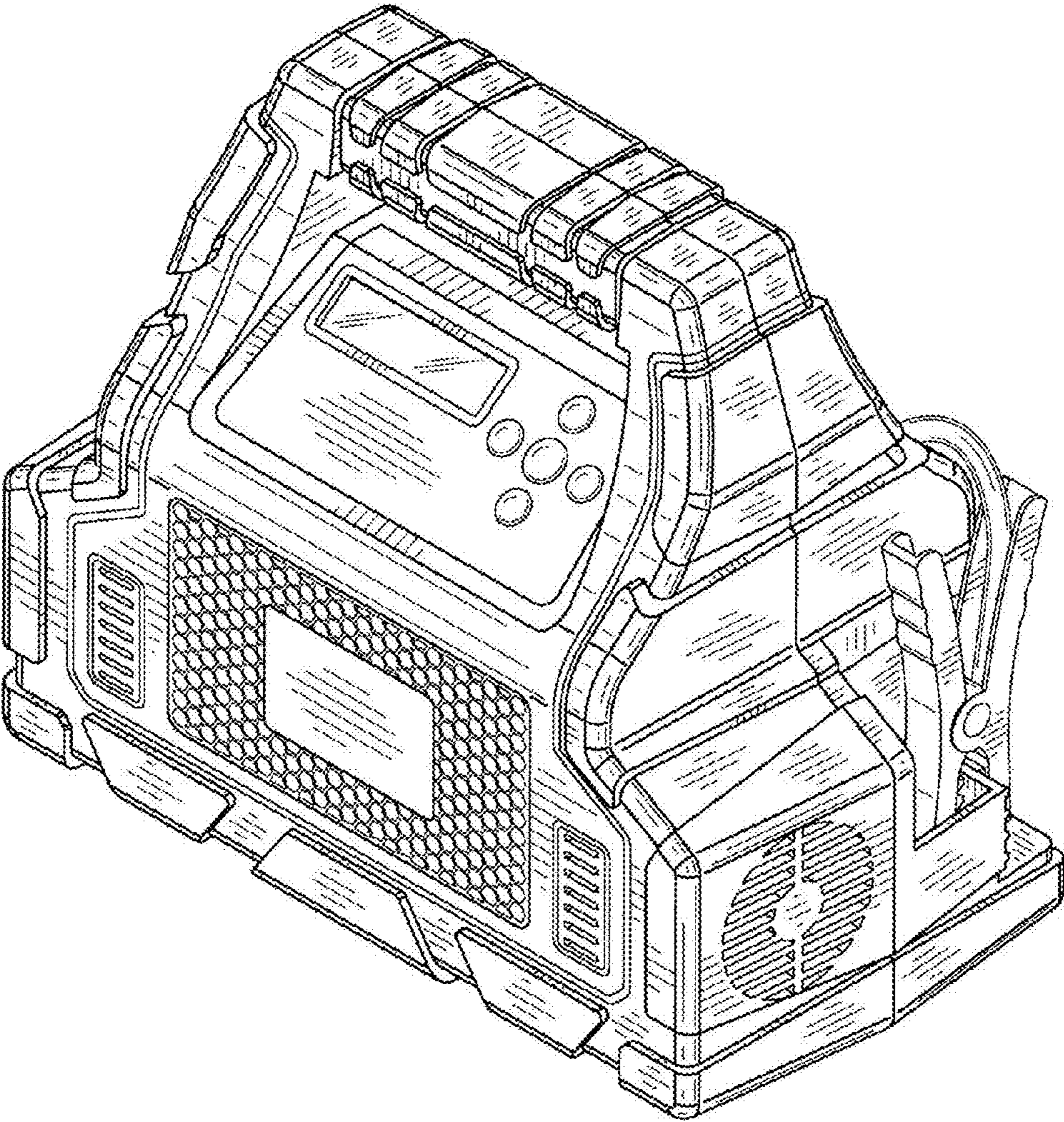


FIG. 1

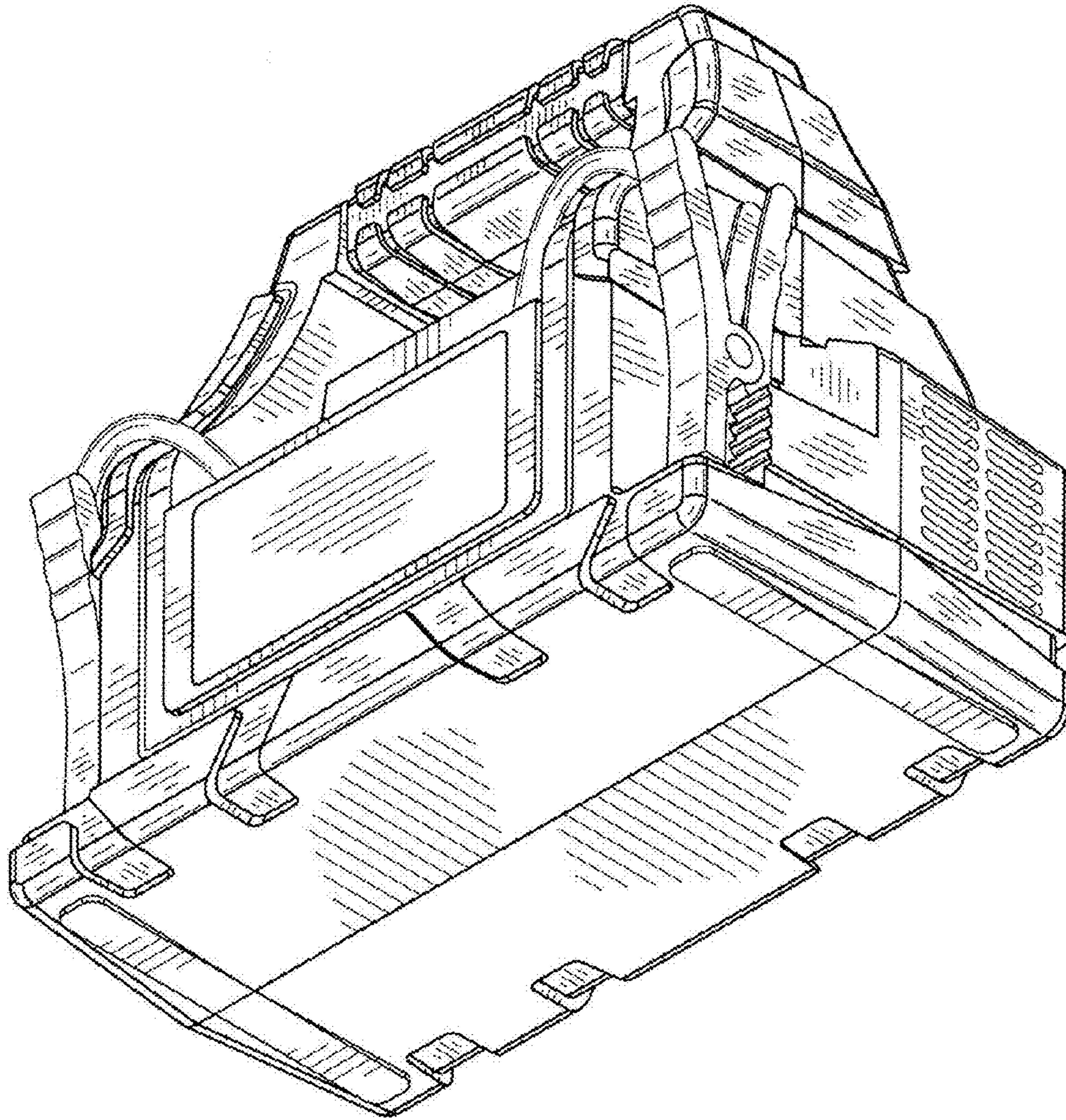


FIG. 2

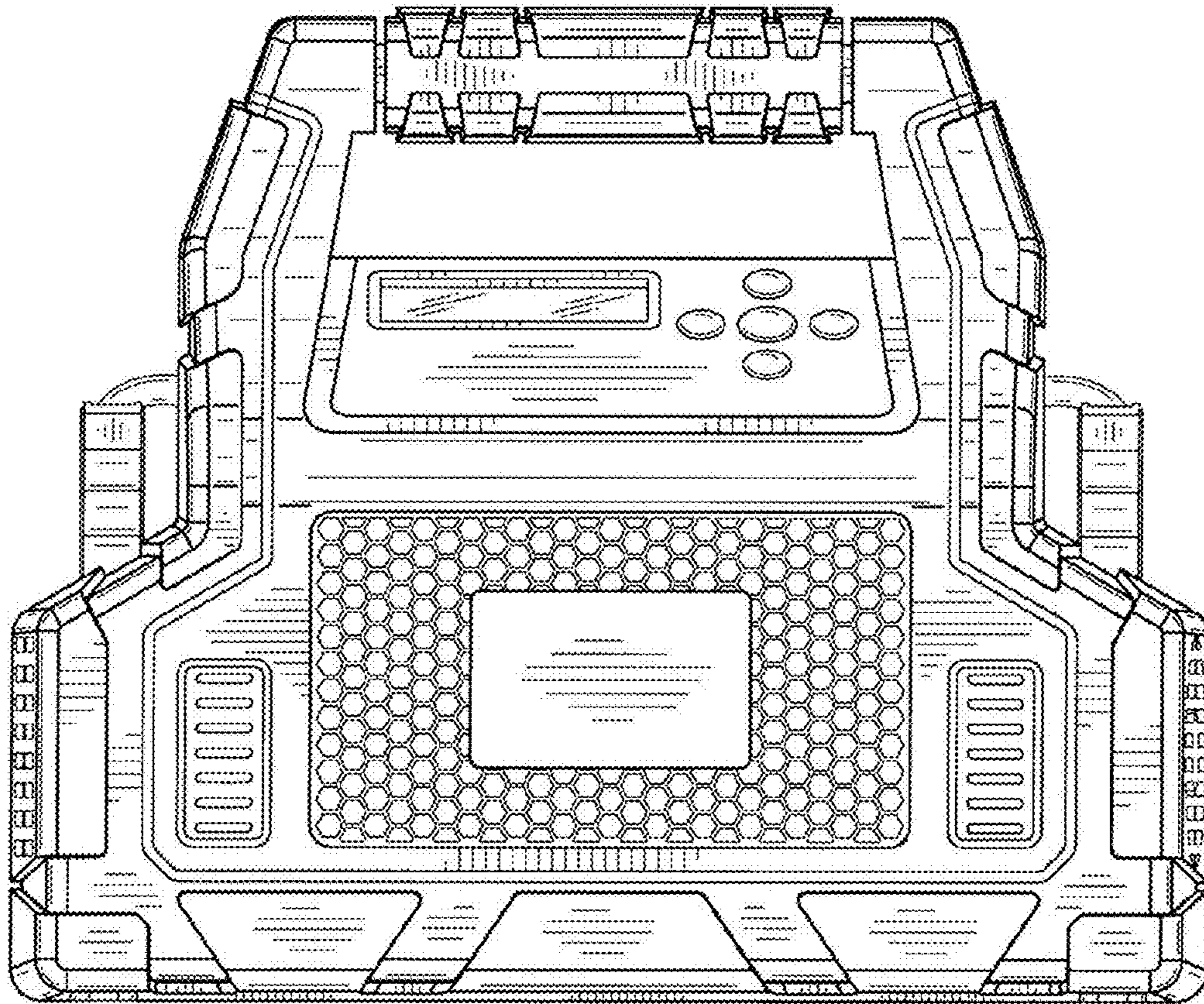


FIG. 3

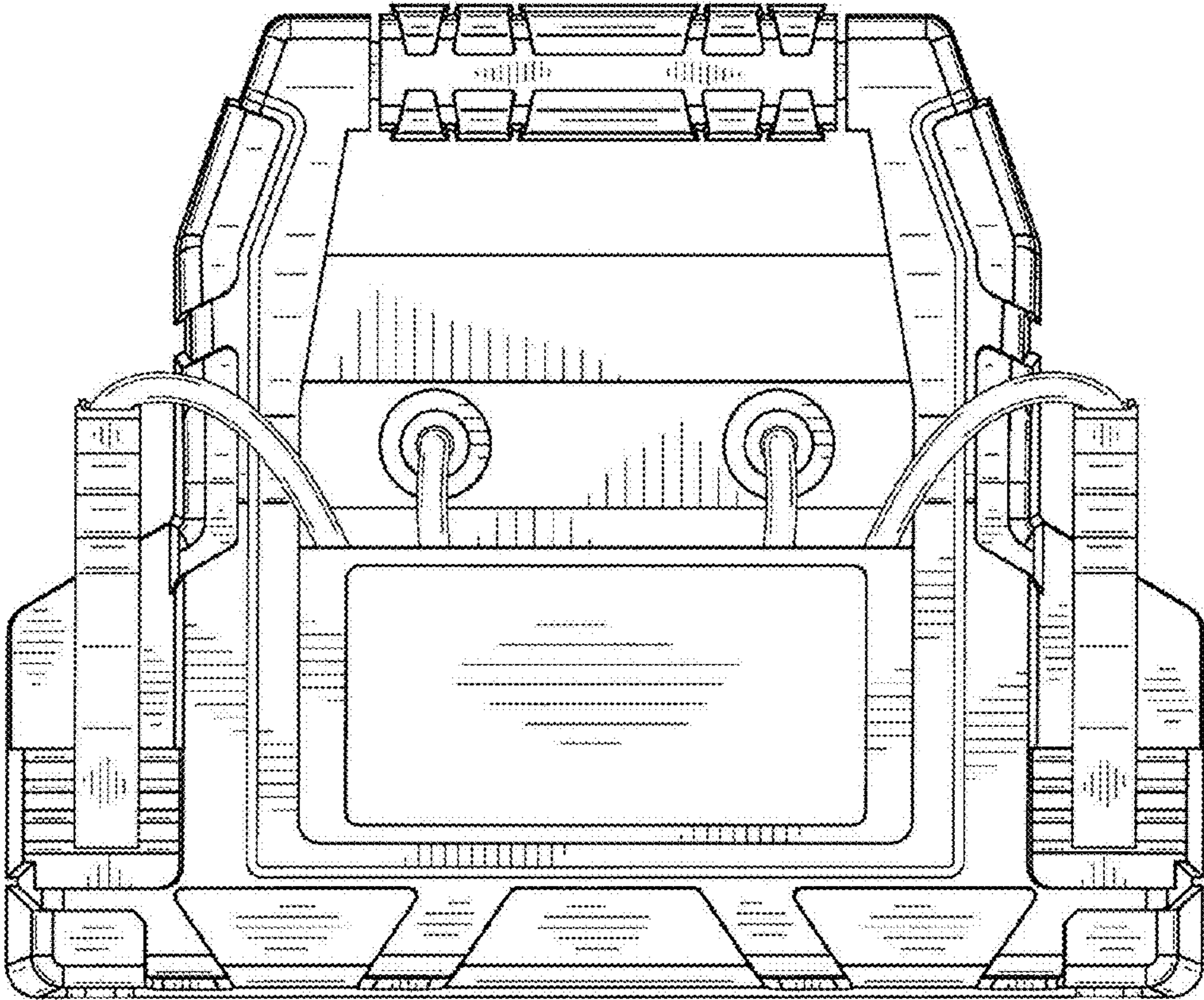


FIG. 4

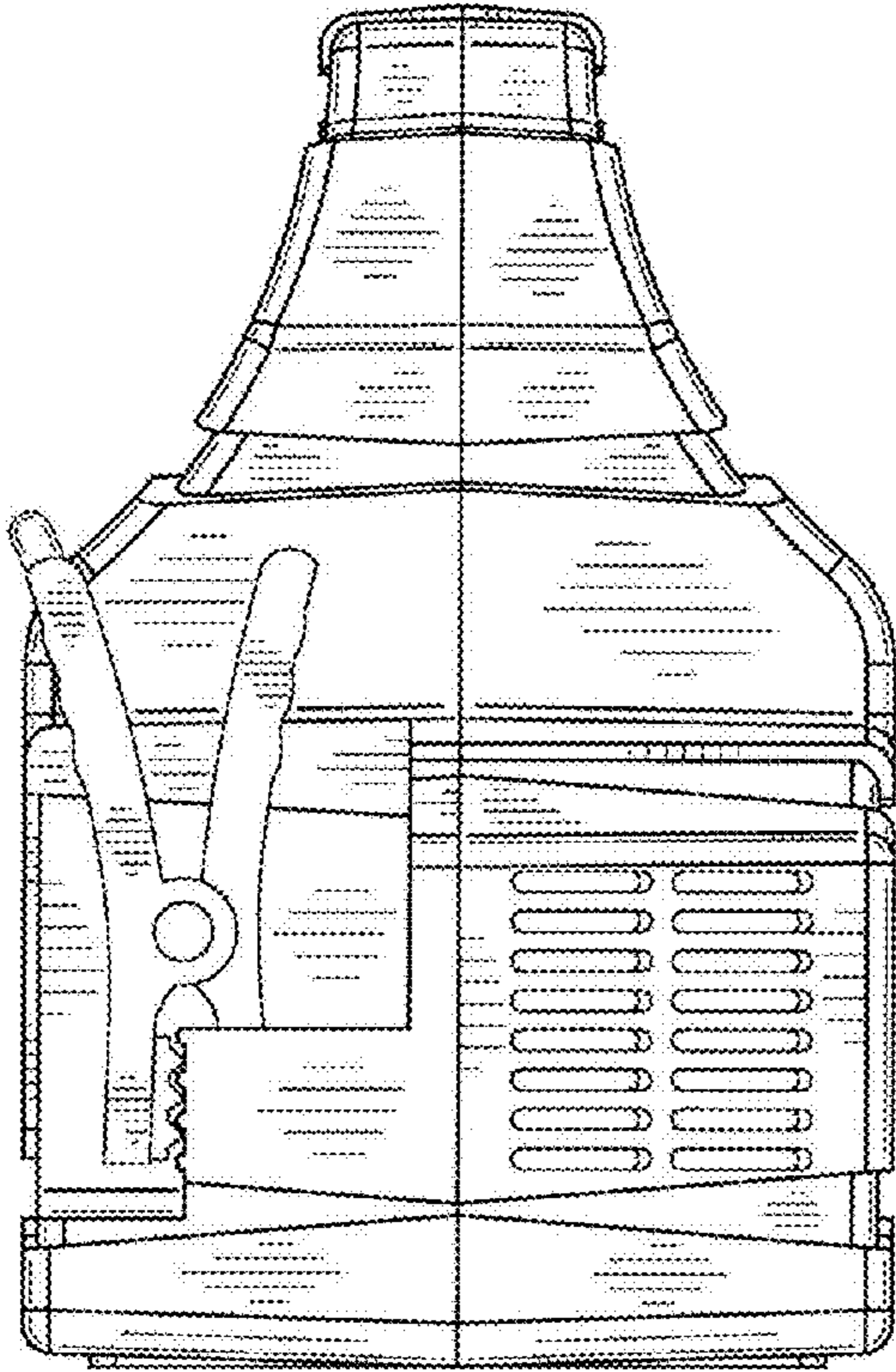


FIG. 5

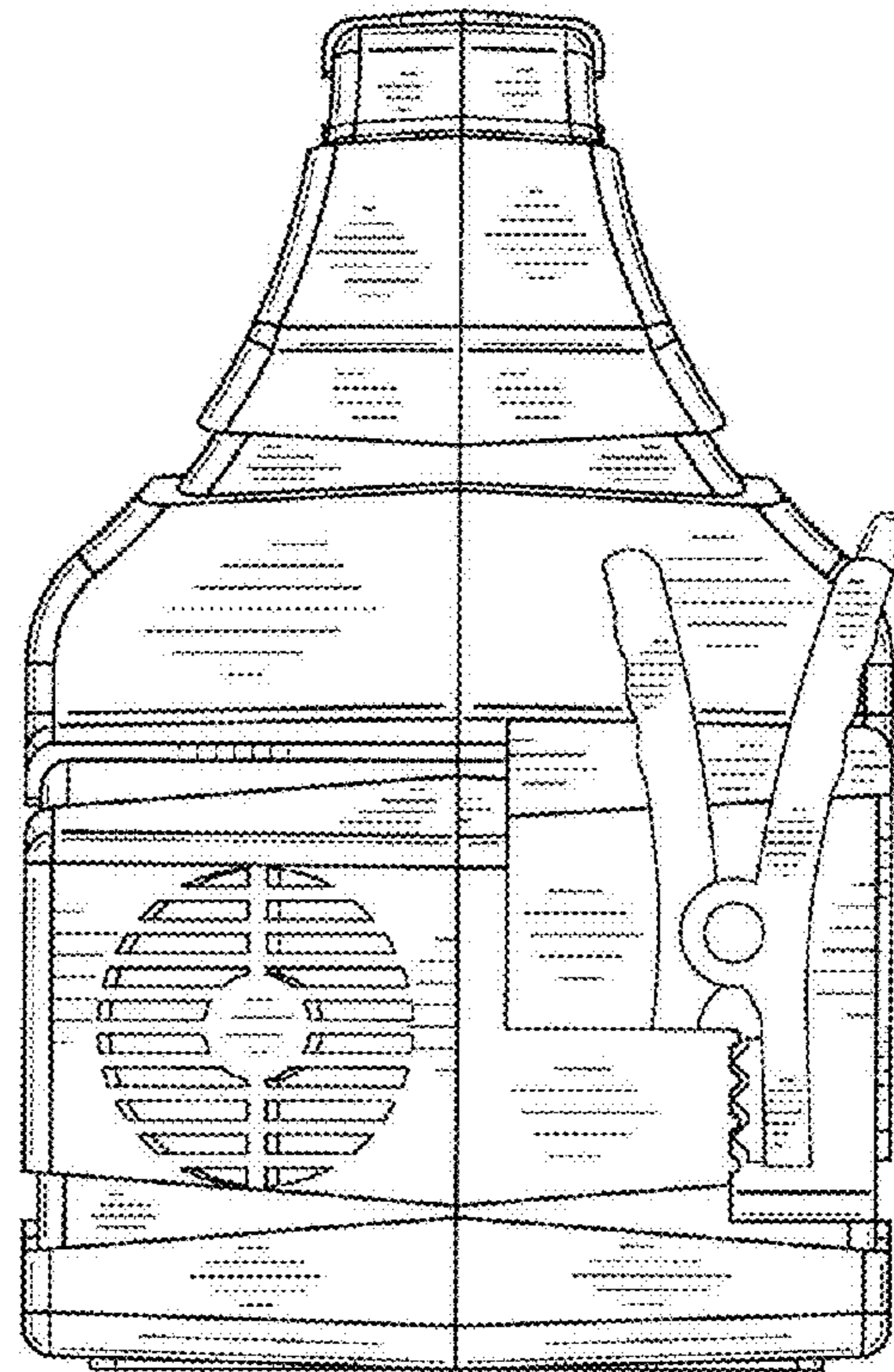


FIG. 6

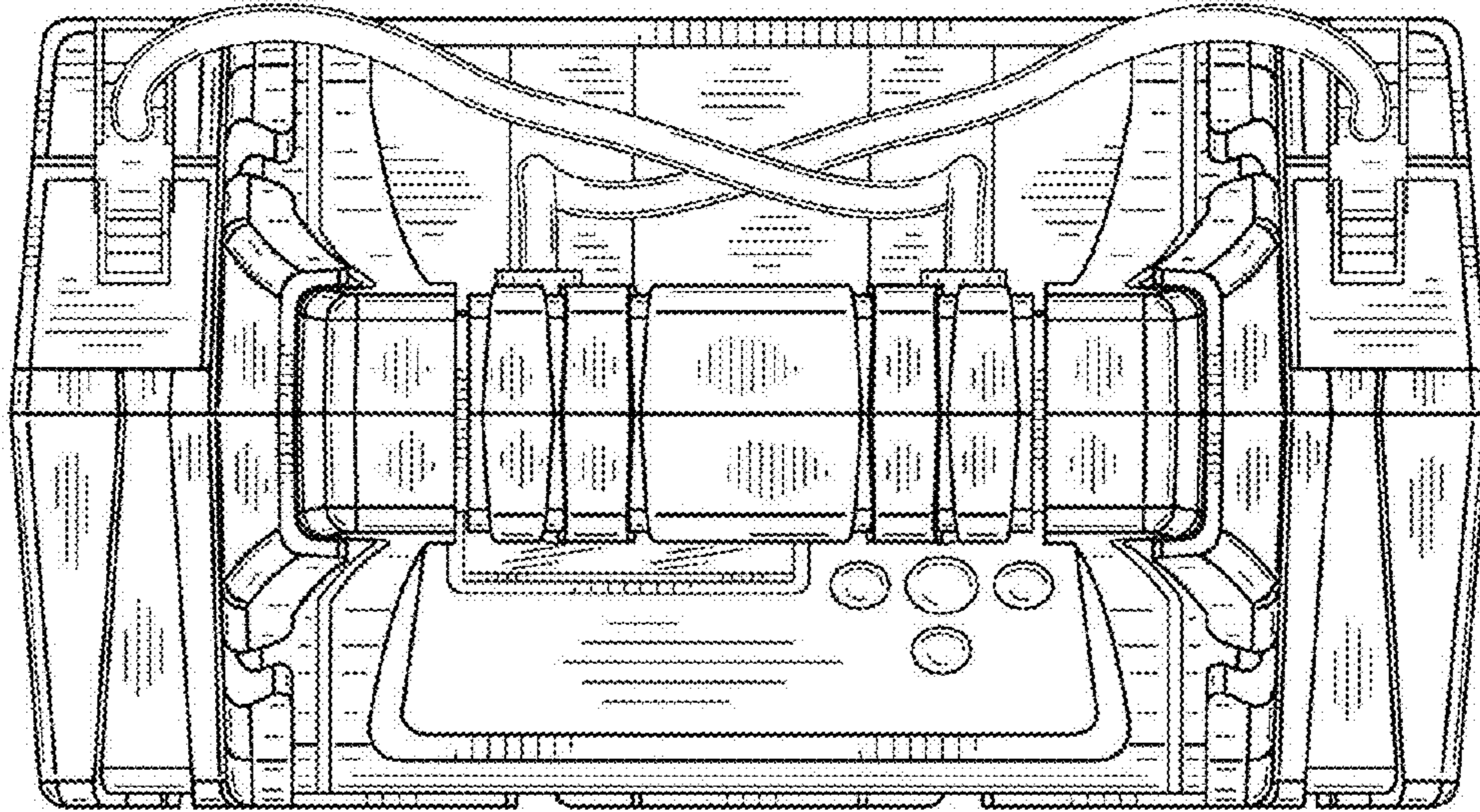


FIG. 7

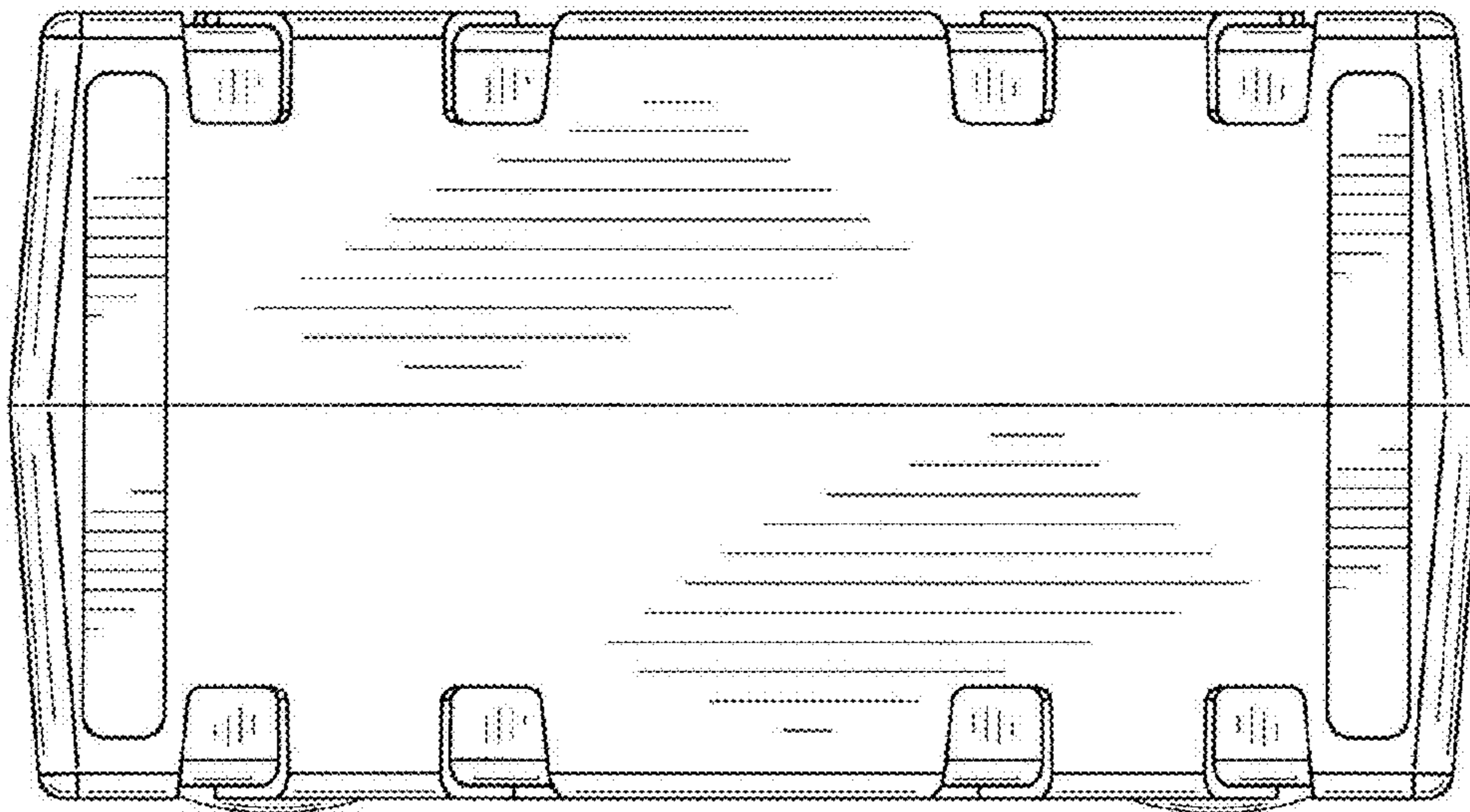


FIG. 8

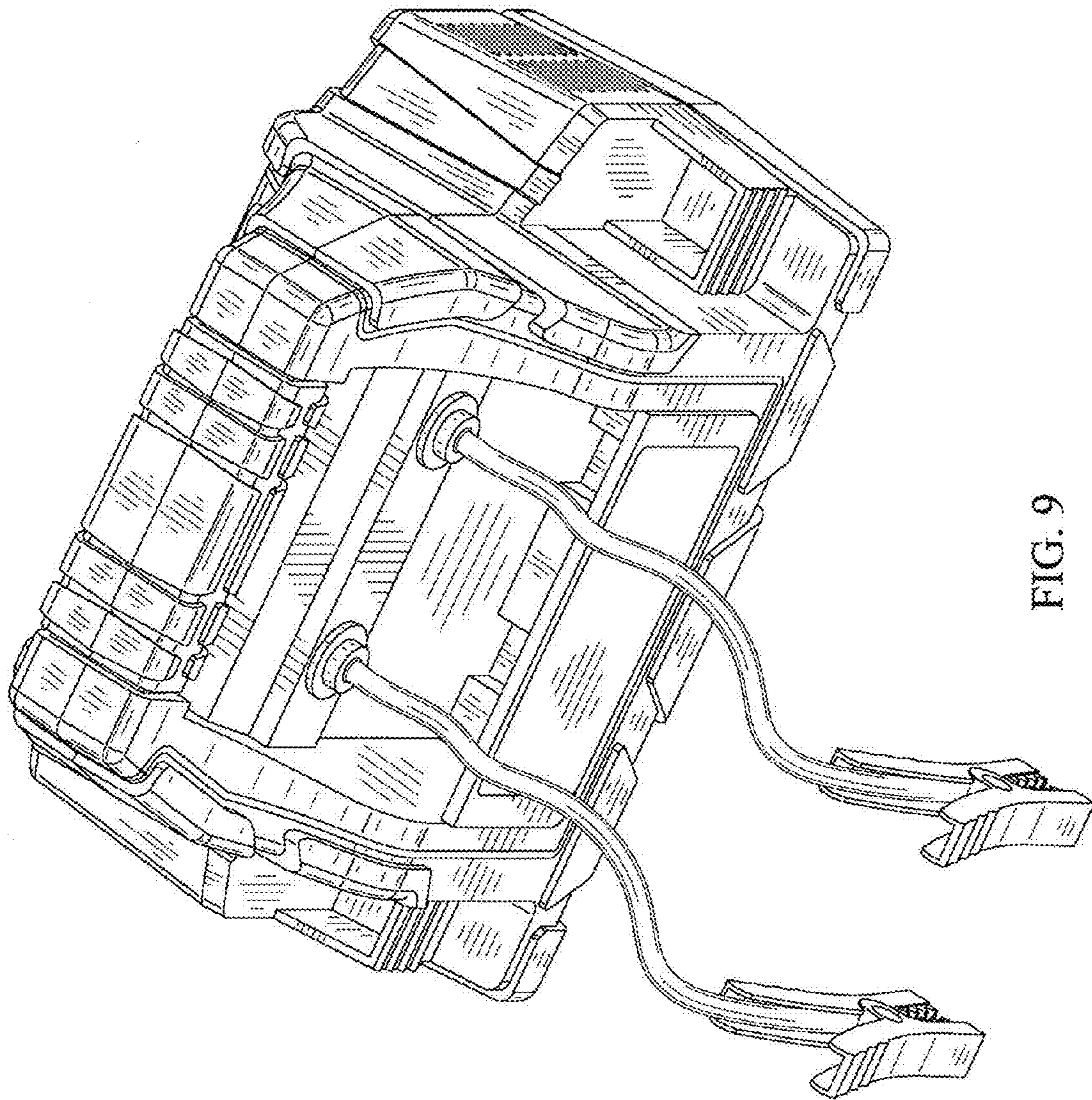


FIG. 9