



US00D706708S

(12) **United States Design Patent**
Fontaine et al.

(10) **Patent No.:** **US D706,708 S**
(45) **Date of Patent:** **** Jun. 10, 2014**

- (54) **TIRE**
- (71) Applicant: **The Goodyear Tire & Rubbery Company, Akron, OH (US)**
- (72) Inventors: **Sebastian Willy Fontaine, Vichten (LU); Pascale de Briey-Terlinden, Attert (BE); Brian Rene Bourel, Schieren (LU); Matthieu Pingonat, Fameck (FR)**
- (73) Assignee: **The Goodyear Tire & Rubber Company, Akron, OH (US)**
- (**) Term: **14 Years**
- (21) Appl. No.: **29/476,910**
- (22) Filed: **Dec. 18, 2013**
- (51) **LOC (10) Cl.** **12-15**
- (52) **U.S. Cl.**
USPC **D12/583**
- (58) **Field of Classification Search**
USPC D12/547-548, 567-603, 900-901;
152/209.1-209.9, 209.11-209.19,
152/209.21-209.28, 455
See application file for complete search history.

D595,642 S *	7/2009	Fontaine et al.	D12/582
D606,010 S *	12/2009	Martin et al.	D12/583
D609,167 S *	2/2010	Regallis et al.	D12/583
D619,528 S *	7/2010	Sakamoto	D12/583
D633,433 S	3/2011	Seiber et al.	D12/519
D659,084 S	5/2012	Graas et al.	D12/590
D668,600 S	10/2012	Pingenat et al.	D12/584
D672,711 S *	12/2012	Audigier et al.	D12/583
D677,616 S *	3/2013	Nobunaga	D12/583
D694,173 S *	11/2013	Takada	D12/583

* cited by examiner

Primary Examiner — Stacia Cadmus

(74) *Attorney, Agent, or Firm* — Richard B. O'Planick

(57) **CLAIM**

The ornamental design for a tire, as shown and described.

DESCRIPTION

FIG. 1 is a perspective view of a tire showing our new design, it being understood that the pattern repeats uniformly throughout the circumference of the tread;

FIG. 2 is a front elevational view thereof;

FIG. 3 is a right side elevational view thereof; the opposite side elevational view being identical thereto;

FIG. 4 is an enlarged fragmentary front elevational view thereof;

FIG. 5 is a perspective view of a second embodiment of a tire showing our new design, it being understood that the pattern repeats uniformly throughout the circumference of the tread and that the opposite side view is identical thereto; and,

FIG. 6 is a front elevational view of a second embodiment, it being understood that an enlarged fragmentary view thereof would be substantially identical to that shown in FIG. 4, with the exception of the inclusion of the sidewall in solid lines.

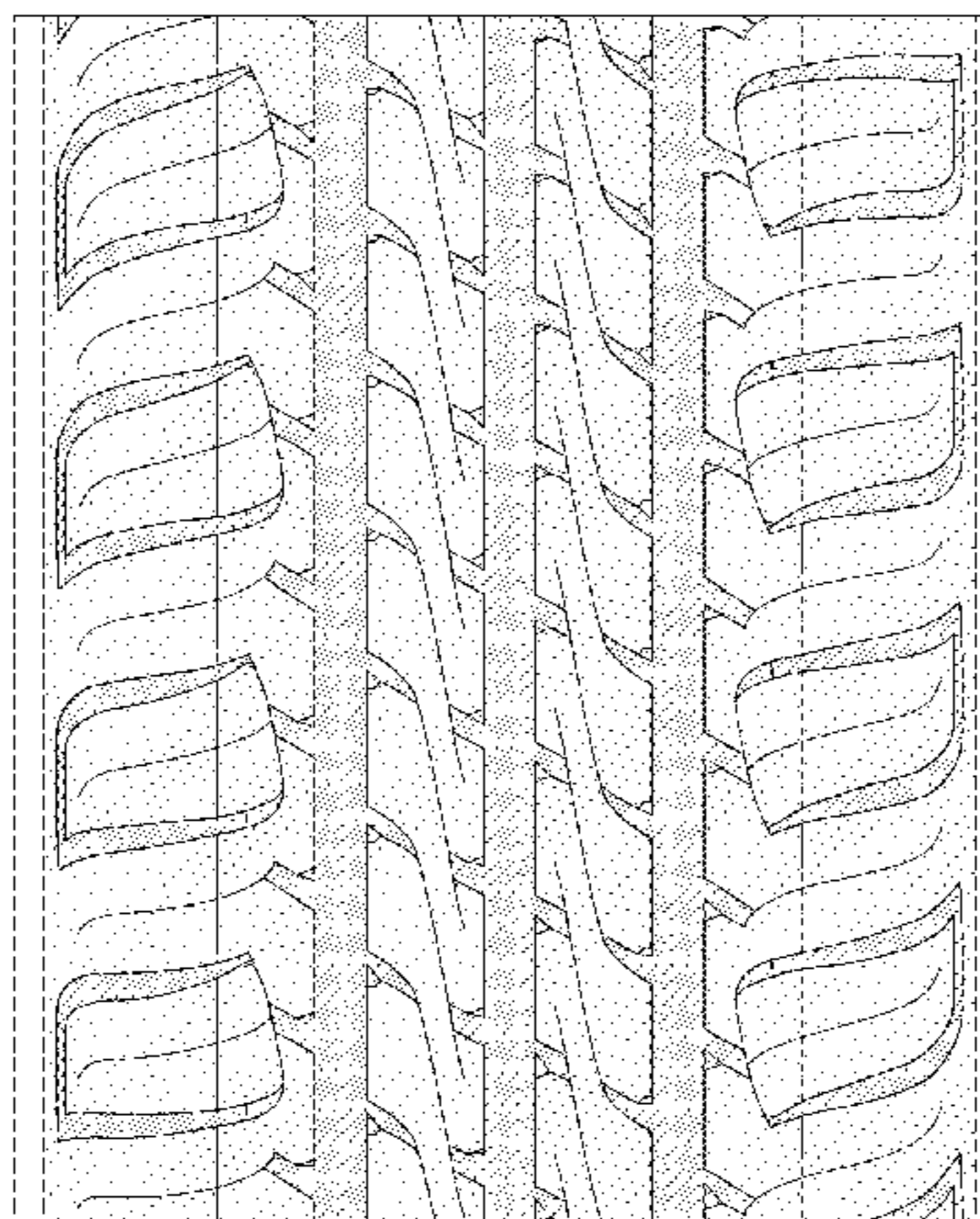
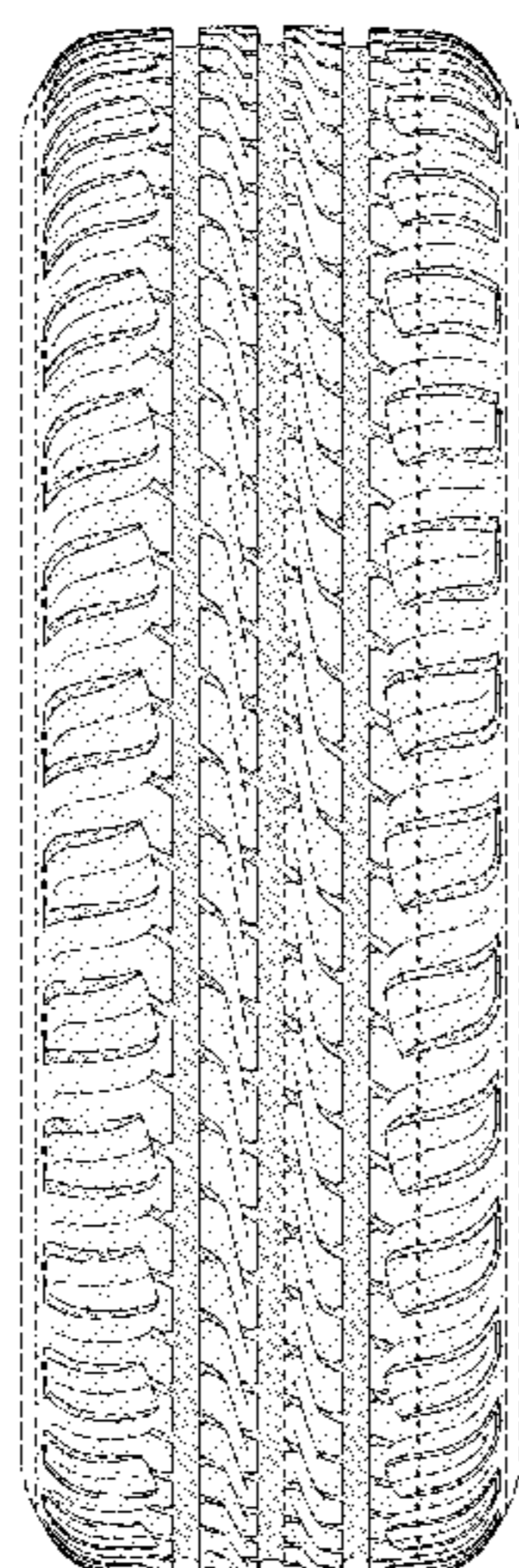
In the drawings, the broken lines showing of the sidewall, inner bead and the peripheral boundary between the tire tread and the sidewall in FIGS. 1 through 4 depict environmental subject matter and form no part of the claimed design.

1 Claim, 6 Drawing Sheets

(56) **References Cited**

U.S. PATENT DOCUMENTS

D270,343 S *	8/1983	Caretta	D12/582
D289,026 S *	3/1987	Wohlfahrt	D12/582
D372,006 S *	7/1996	Labbe	D12/583
D380,424 S *	7/1997	Brown et al.	D12/583
D388,380 S *	12/1997	Harpes et al.	D12/583
D426,794 S *	6/2000	Meer et al.	D12/583
D456,345 S *	4/2002	Bawin et al.	D12/583
D577,655 S	9/2008	Heinen	D12/521
D578,955 S	10/2008	Fontaine et al.	D12/524
D586,725 S	2/2009	Fontaine et al.	D12/519



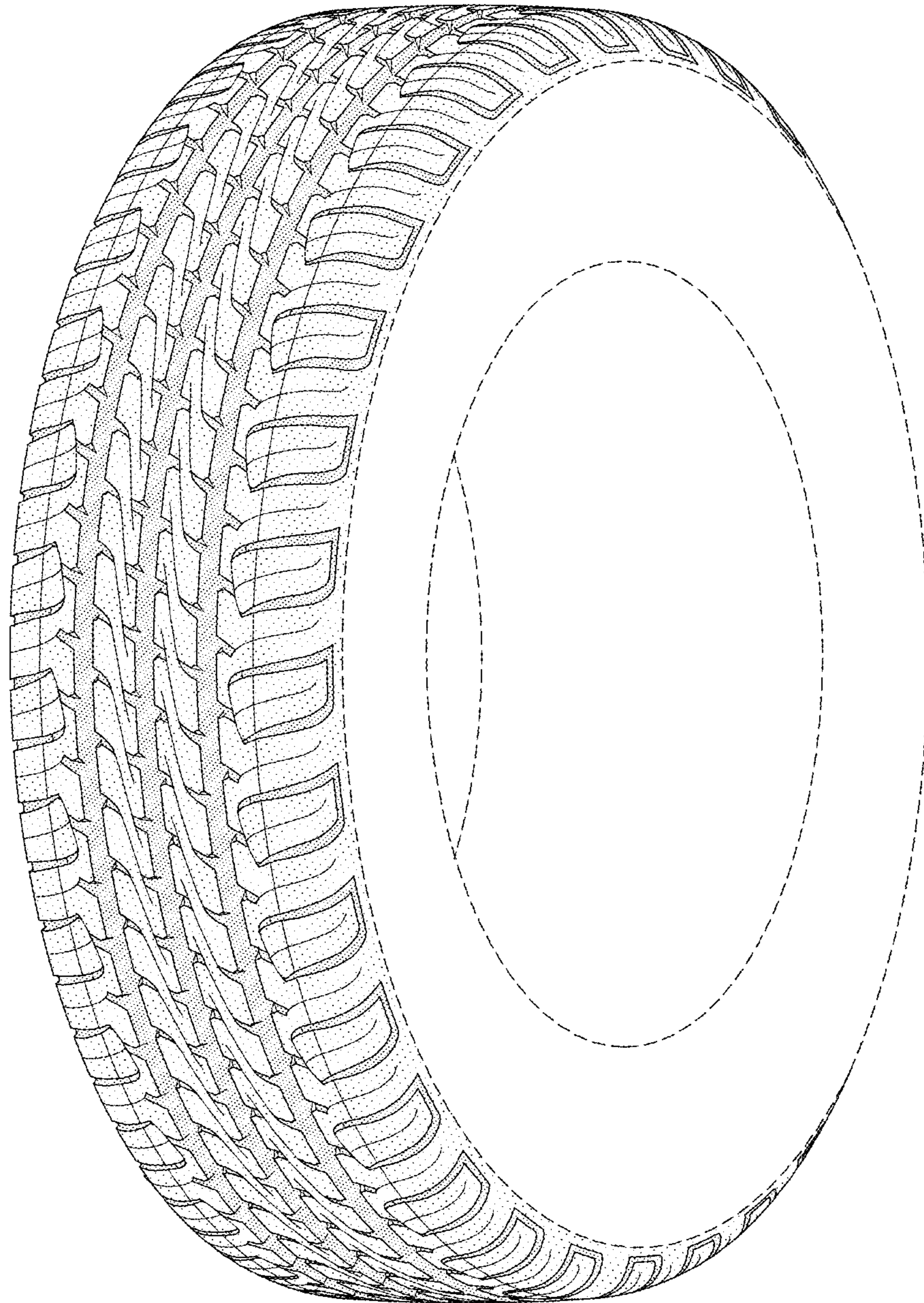


FIG-1

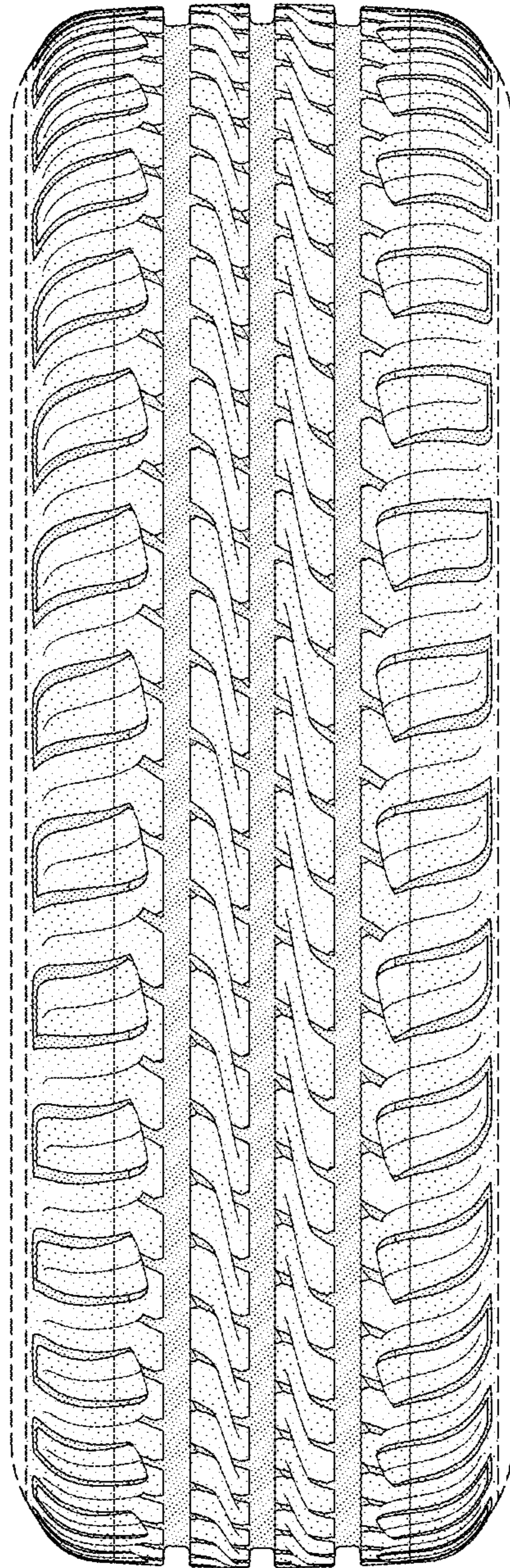


FIG-2

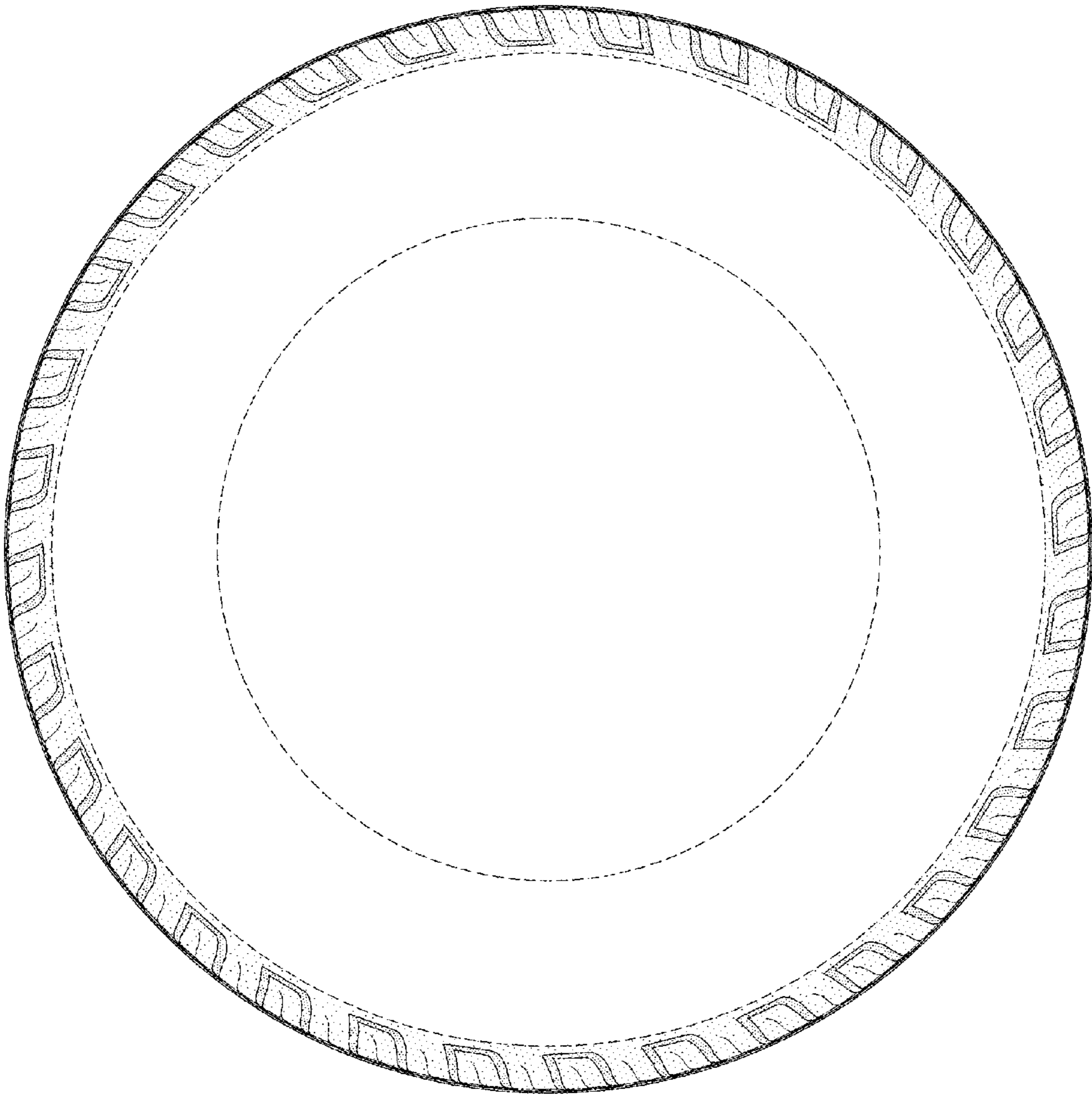


FIG-3

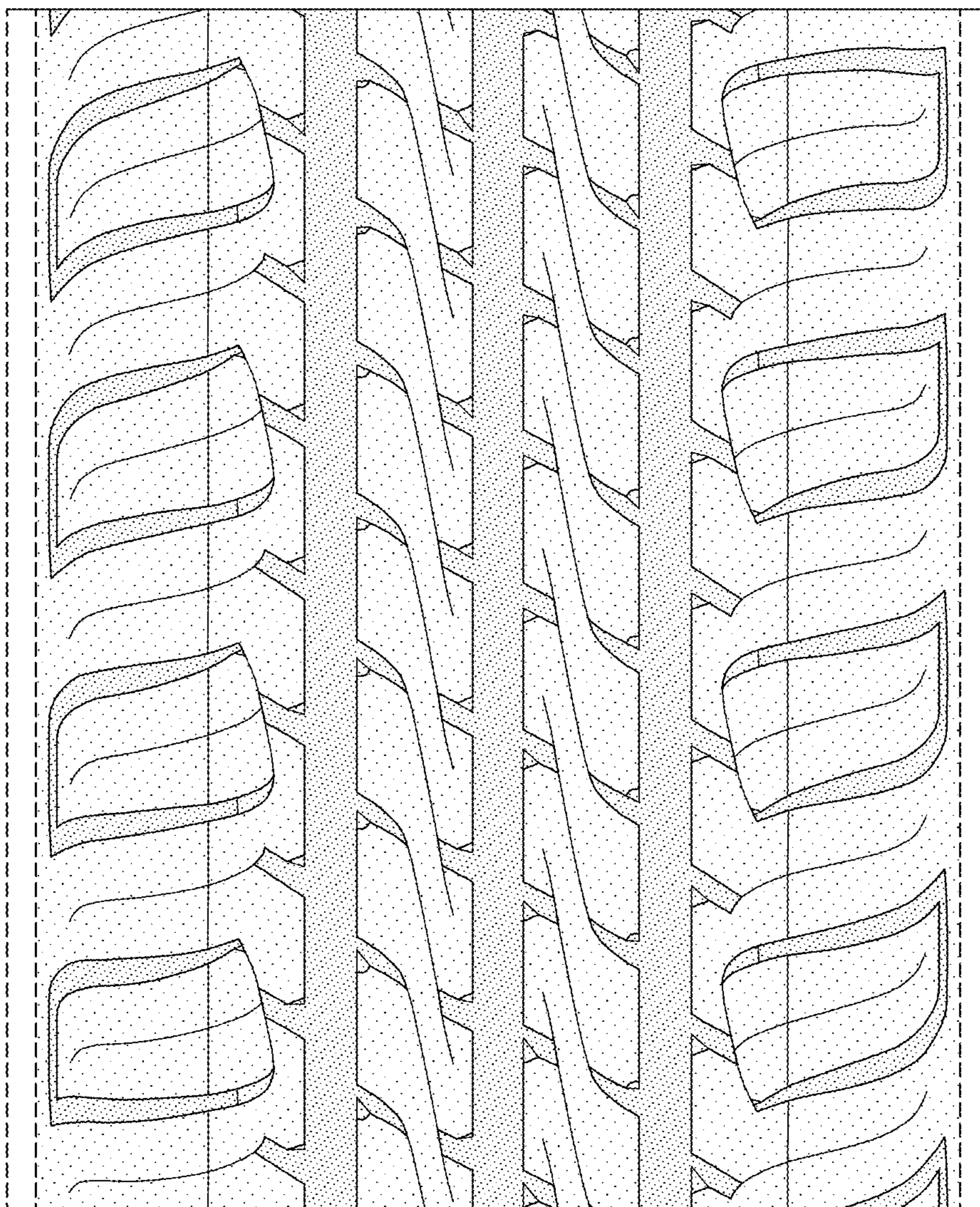


FIG-4

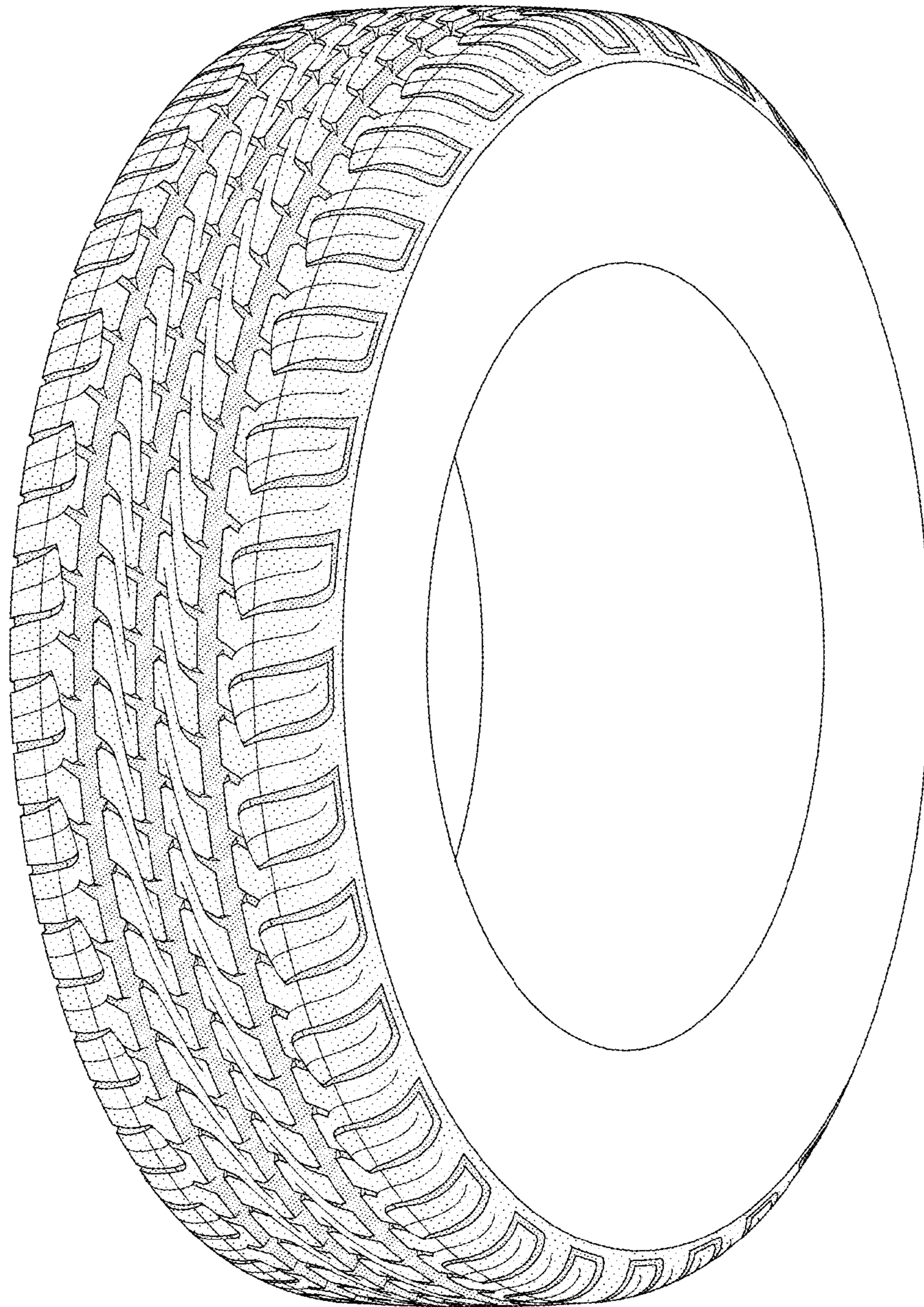


FIG-5

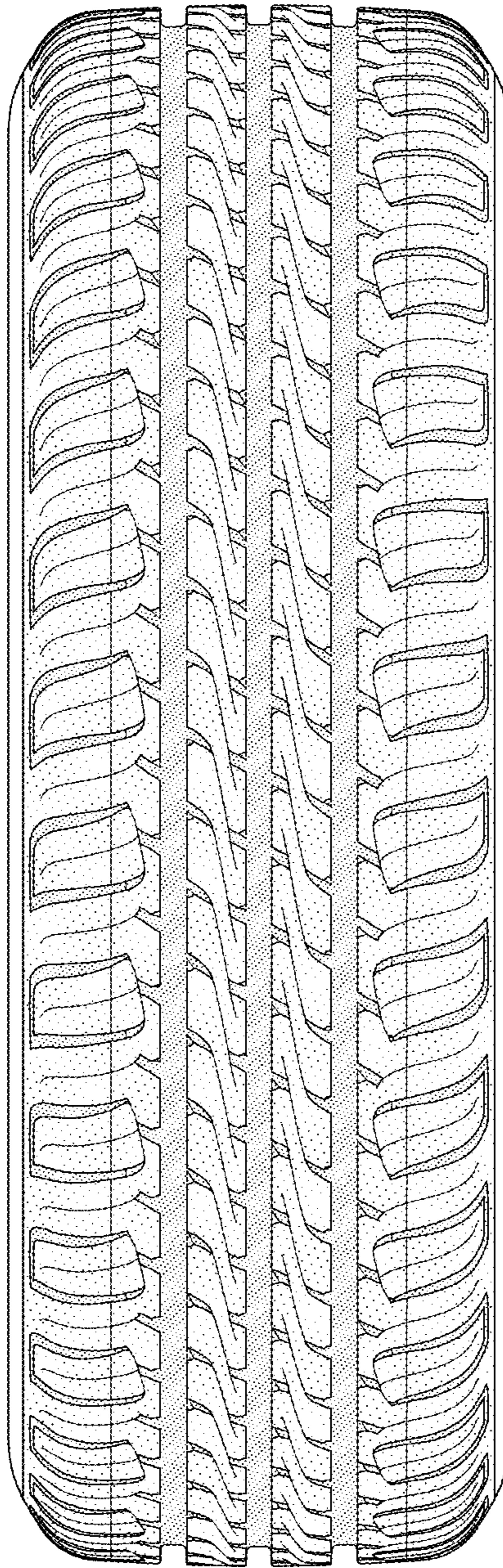


FIG-6