



US00D706707S

(12) **United States Design Patent**
Jacobs

(10) **Patent No.:** **US D706,707 S**
(45) **Date of Patent:** **** Jun. 10, 2014**

(54) **TIRE TREAD**

(75) Inventor: **Jeremy J. Jacobs**, Findlay, OH (US)

(73) Assignee: **Cooper Tire & Rubber Company**,
Findlay, OH (US)

(**) Term: **14 Years**

(21) Appl. No.: **29/414,375**

(22) Filed: **Feb. 28, 2012**

(51) **LOC (10) Cl.** **12-15**

(52) **U.S. Cl.**
USPC **D12/524; D12/518**

(58) **Field of Classification Search**
USPC D12/505–532, 900–901;
152/209.1–209.9, 209.11–209.19,
152/209.21–209.28, 455

See application file for complete search history.

(56) **References Cited**

U.S. PATENT DOCUMENTS

D341,111 S * 11/1993 Himuro et al. D12/524
D515,021 S * 2/2006 Delu et al. D12/524
D531,108 S * 10/2006 Marazzi et al. D12/524
D582,340 S * 12/2008 Shinkai D12/524

D610,961 S * 3/2010 Tokizaki et al. D12/524
D651,160 S * 12/2011 Jacobs D12/524
D679,241 S * 4/2013 Fehl et al. D12/524
D682,188 S * 5/2013 Sareen D12/524

* cited by examiner

Primary Examiner — Stacia Cadmus

(74) *Attorney, Agent, or Firm* — Emch, Schaffer, Schaub &
Porcello, Co., L.P.A.

(57) **CLAIM**

The ornamental design for a tire tread, as shown and described.

DESCRIPTION

FIG. 1 is a perspective view of the tire tread in accordance with the invention;

FIG. 2 is a front elevation view thereof;

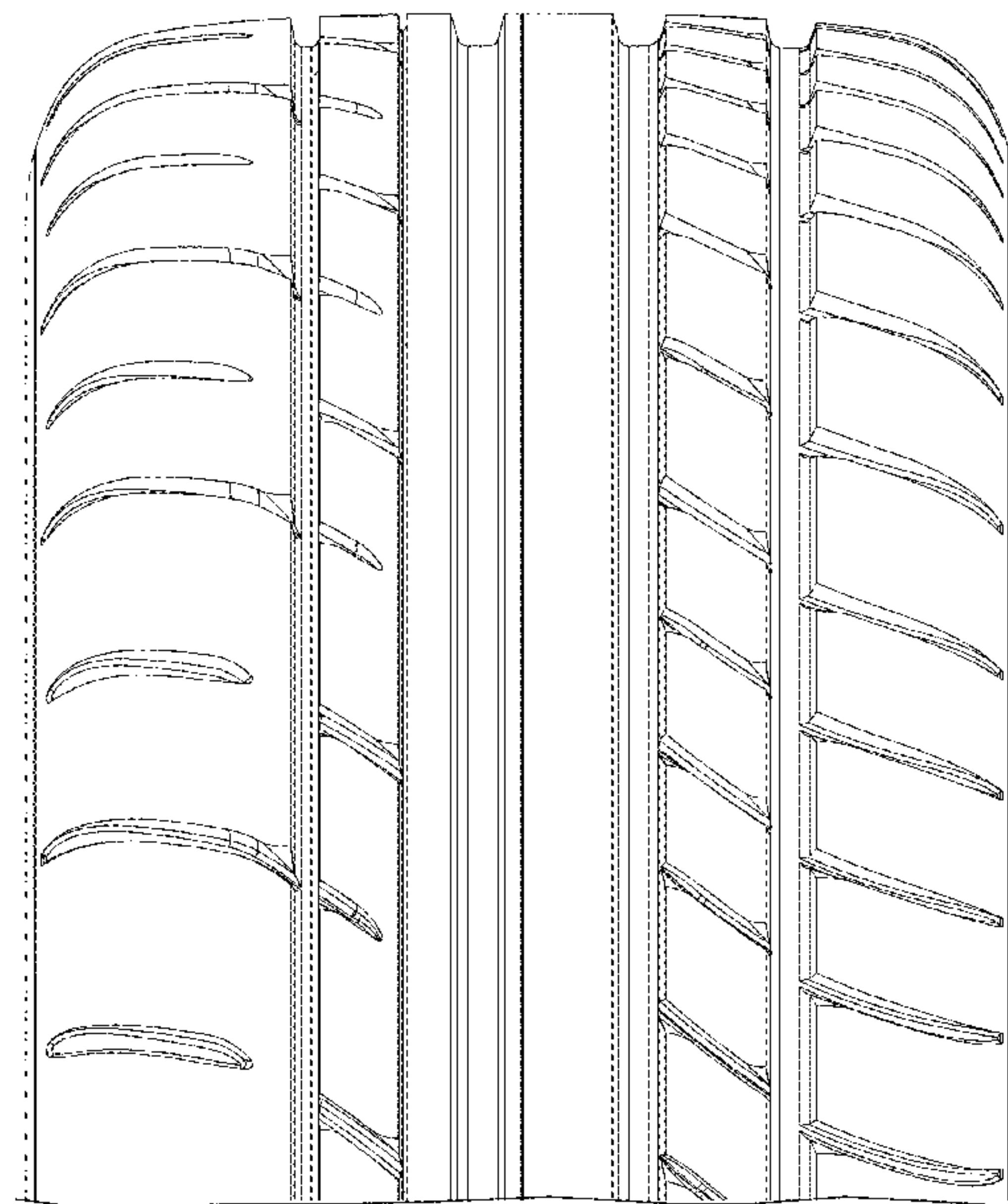
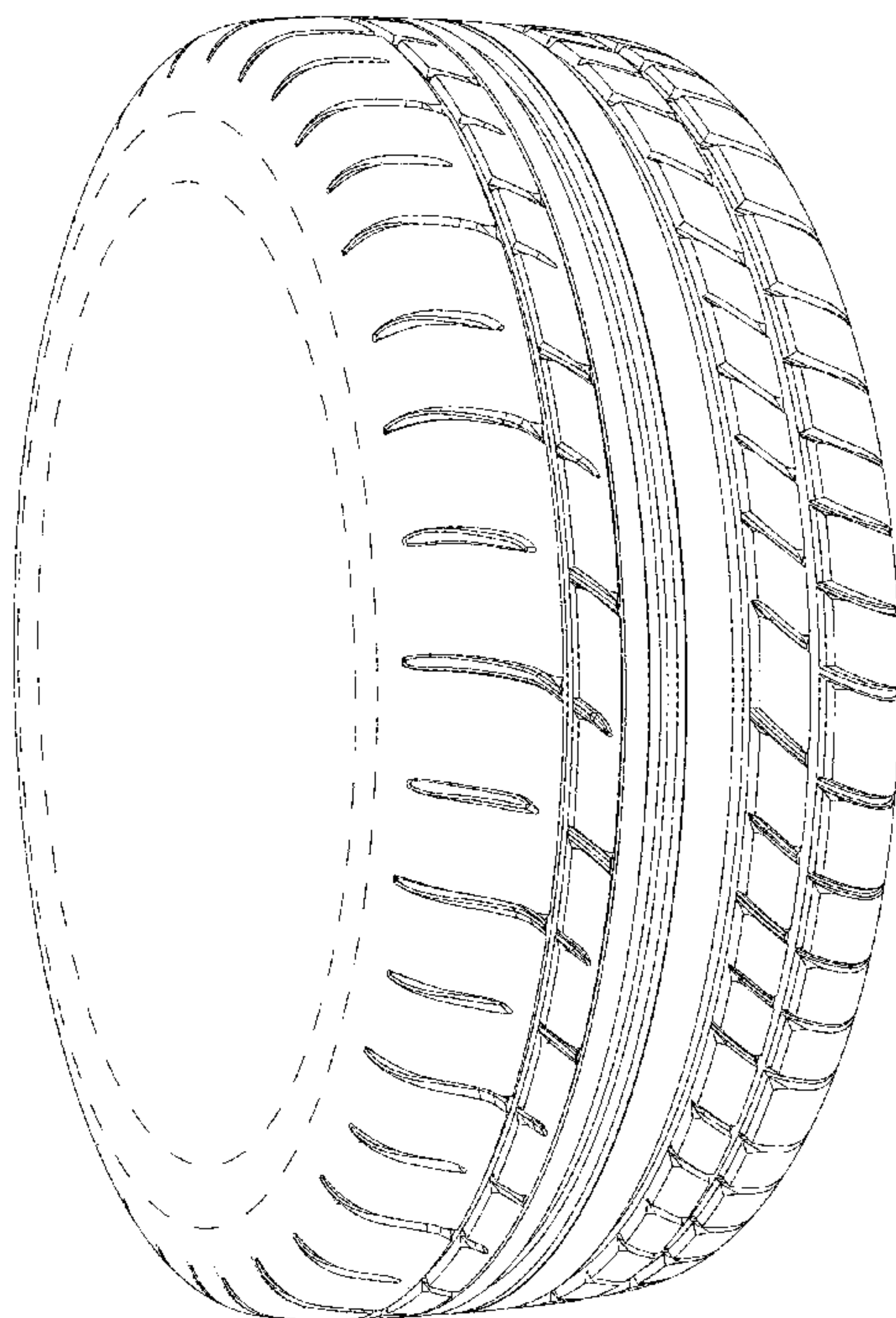
FIG. 3 is a partial front elevation view thereof, shown at an enlarged scale;

FIG. 4 is a side elevation view showing the inside of the tire thereof; and,

FIG. 5 is a side elevation view showing the outside of the tire thereof.

The broken lines depict environmental subject matter only and form no part of the claimed design.

1 Claim, 5 Drawing Sheets



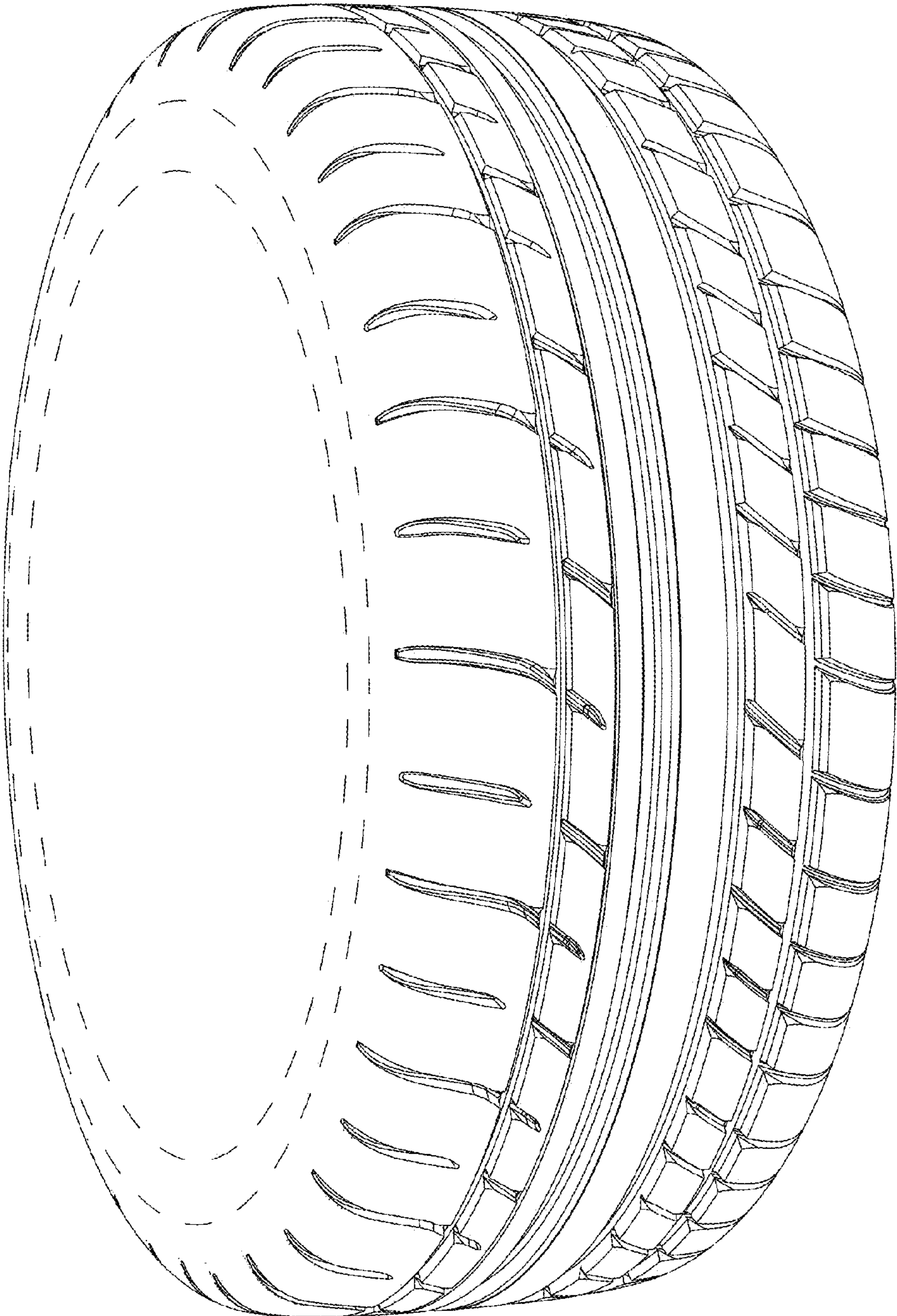


FIG. 1

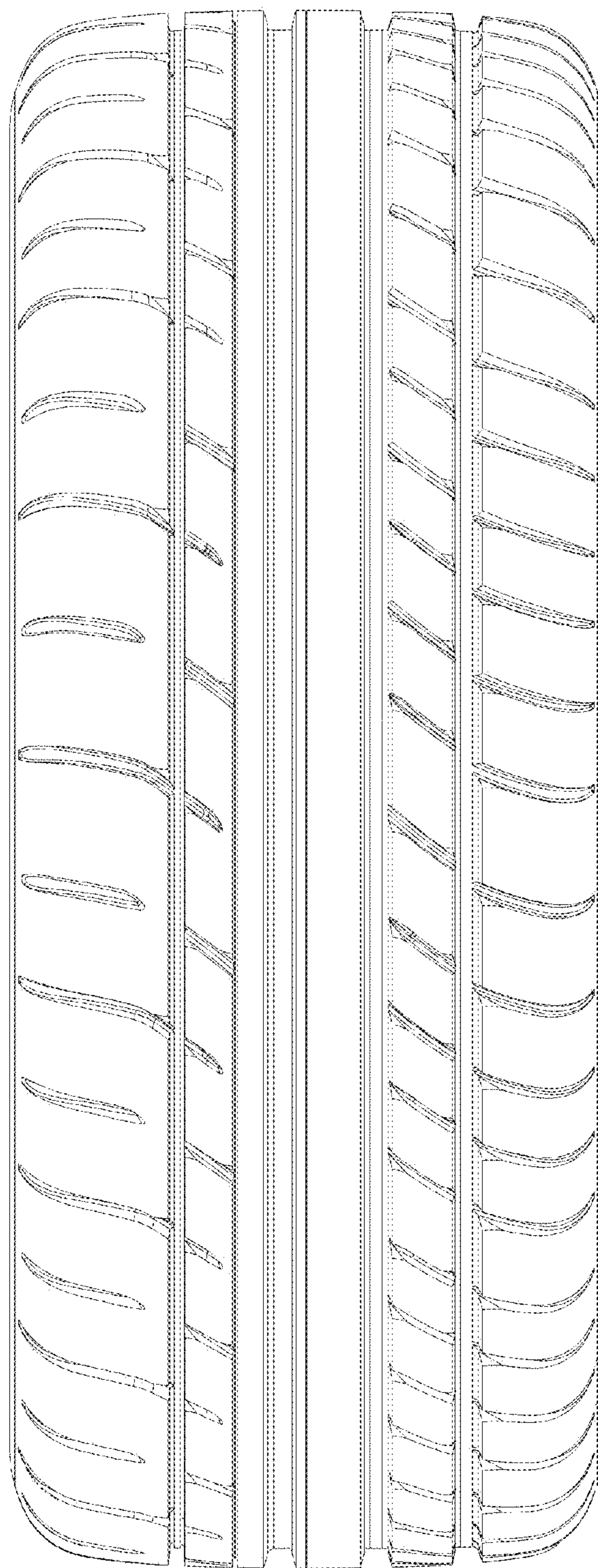


FIG. 2

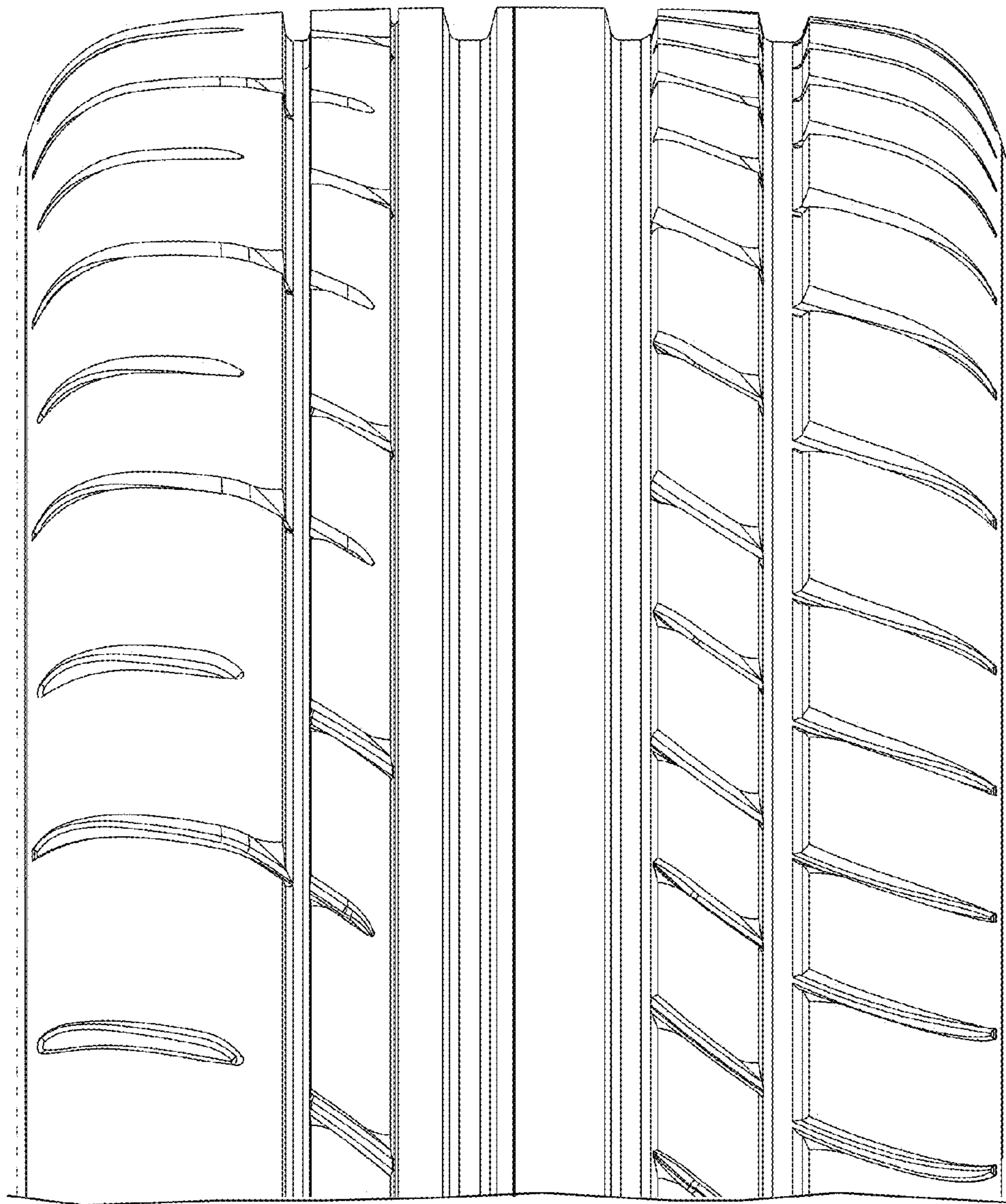


FIG. 3

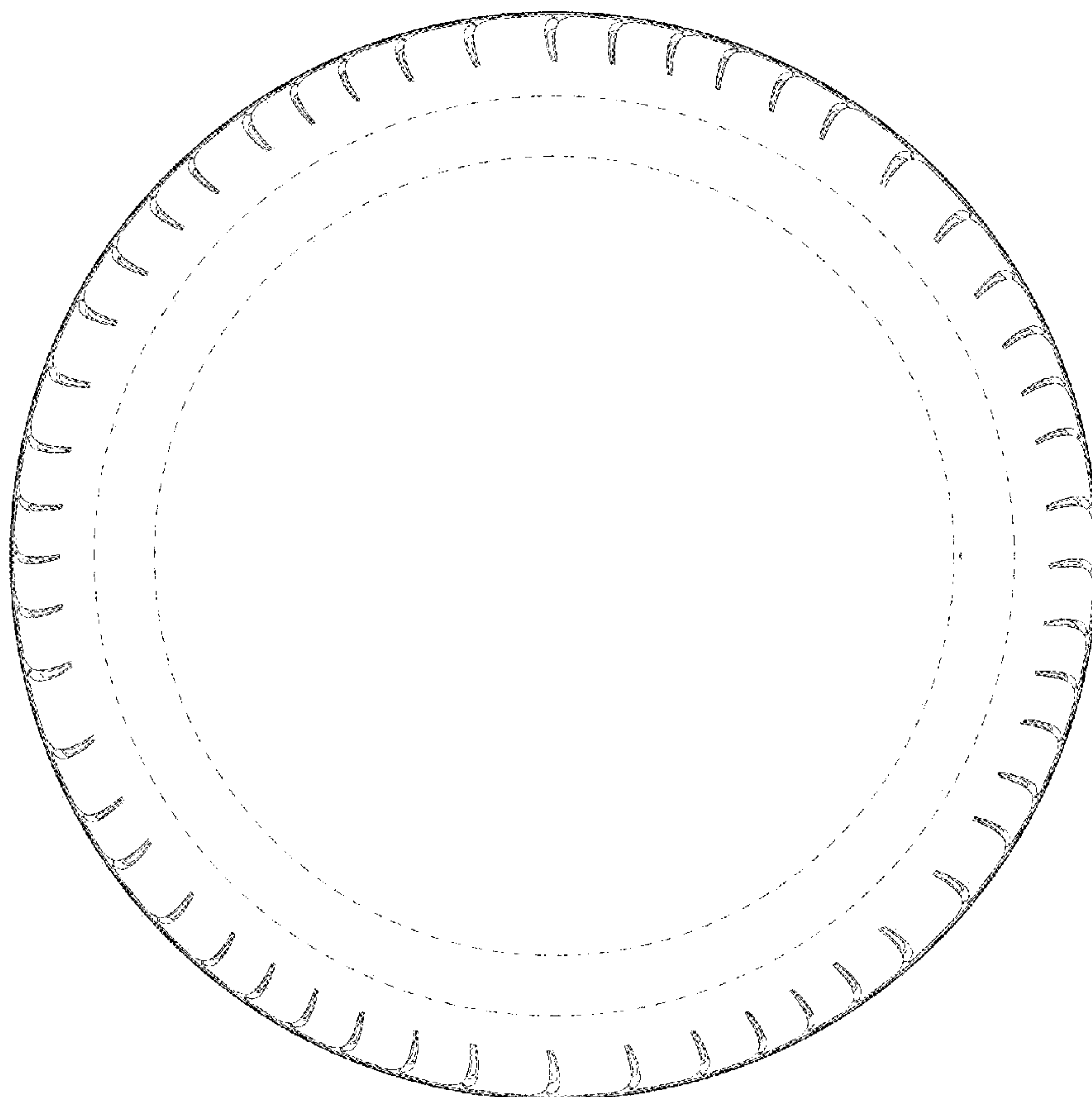


FIG. 4

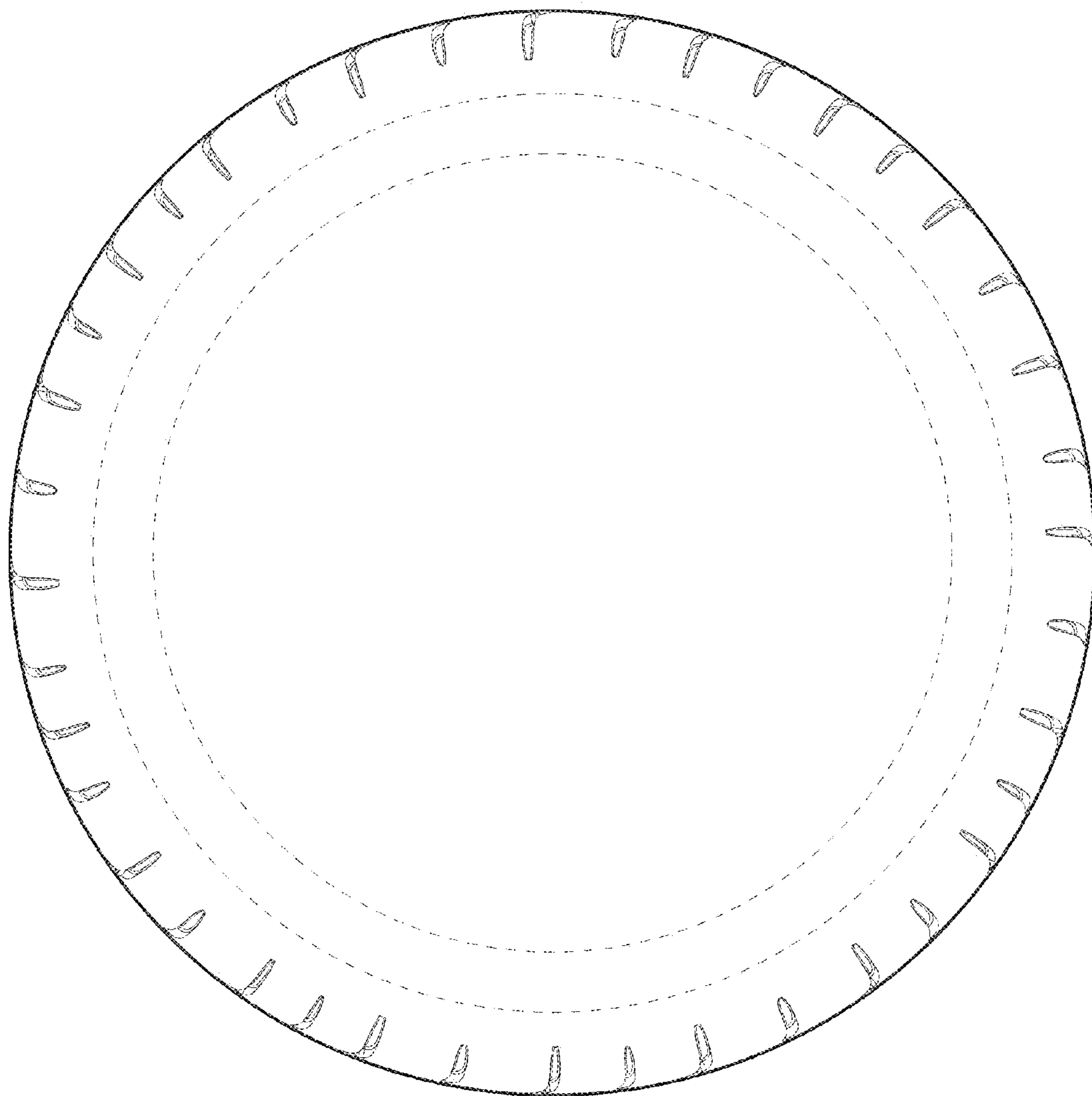


FIG. 5