



US00D706703S

(12) **United States Design Patent**  
**Pinchot**

(10) **Patent No.:** **US D706,703 S**

(45) **Date of Patent:** **\*\* Jun. 10, 2014**

(54) **WIPER BLADE**

(75) Inventor: **James M. Pinchot**, Parma, OH (US)

(73) Assignee: **JMP Industries, Inc.**, Cleveland, OH (US)

(\*\*) Term: **14 Years**

(21) Appl. No.: **29/416,747**

(22) Filed: **Mar. 27, 2012**

(51) **LOC (10) Cl.** ..... **12-06**

(52) **U.S. Cl.**  
USPC ..... **D12/219**

(58) **Field of Classification Search**  
USPC ..... D12/219–220; 15/246, 247, 250.001, 15/250.4, 250.361, 250.19, 250.48, 15/250.03, 250.31–250.33, 250.351, 15/250.38, 250.201, 250.451, 250.458, 15/250.04, 250.07, 250.44  
See application file for complete search history.

(56) **References Cited**

**U.S. PATENT DOCUMENTS**

D152,888 S *	3/1949	Kroh	.....	D12/220
7,055,207 B2 *	6/2006	Coughlin	.....	15/250.32
D597,465 S *	8/2009	Grasso et al.	.....	D12/220
D597,469 S *	8/2009	Grasso et al.	.....	D12/220
D597,470 S *	8/2009	Grasso et al.	.....	D12/220
2004/0123414 A1 *	7/2004	Lee	.....	15/250.32
2007/0234501 A1 *	10/2007	Ho et al.	.....	15/250.32

2008/0086830 A1 *	4/2008	Kim	.....	15/250.32
2010/0154159 A1 *	6/2010	Baque	.....	15/250.32
2010/0275402 A1 *	11/2010	Espinasse	.....	15/250.32
2012/0079669 A1 *	4/2012	Yang et al.	.....	15/250.32
2012/0186035 A1 *	7/2012	Lee	.....	15/250.32
2012/0222231 A1 *	9/2012	Ku	.....	15/250.32

\* cited by examiner

*Primary Examiner* — Katrina A Betton

(74) *Attorney, Agent, or Firm* — Fay Sharpe LLP

(57) **CLAIM**

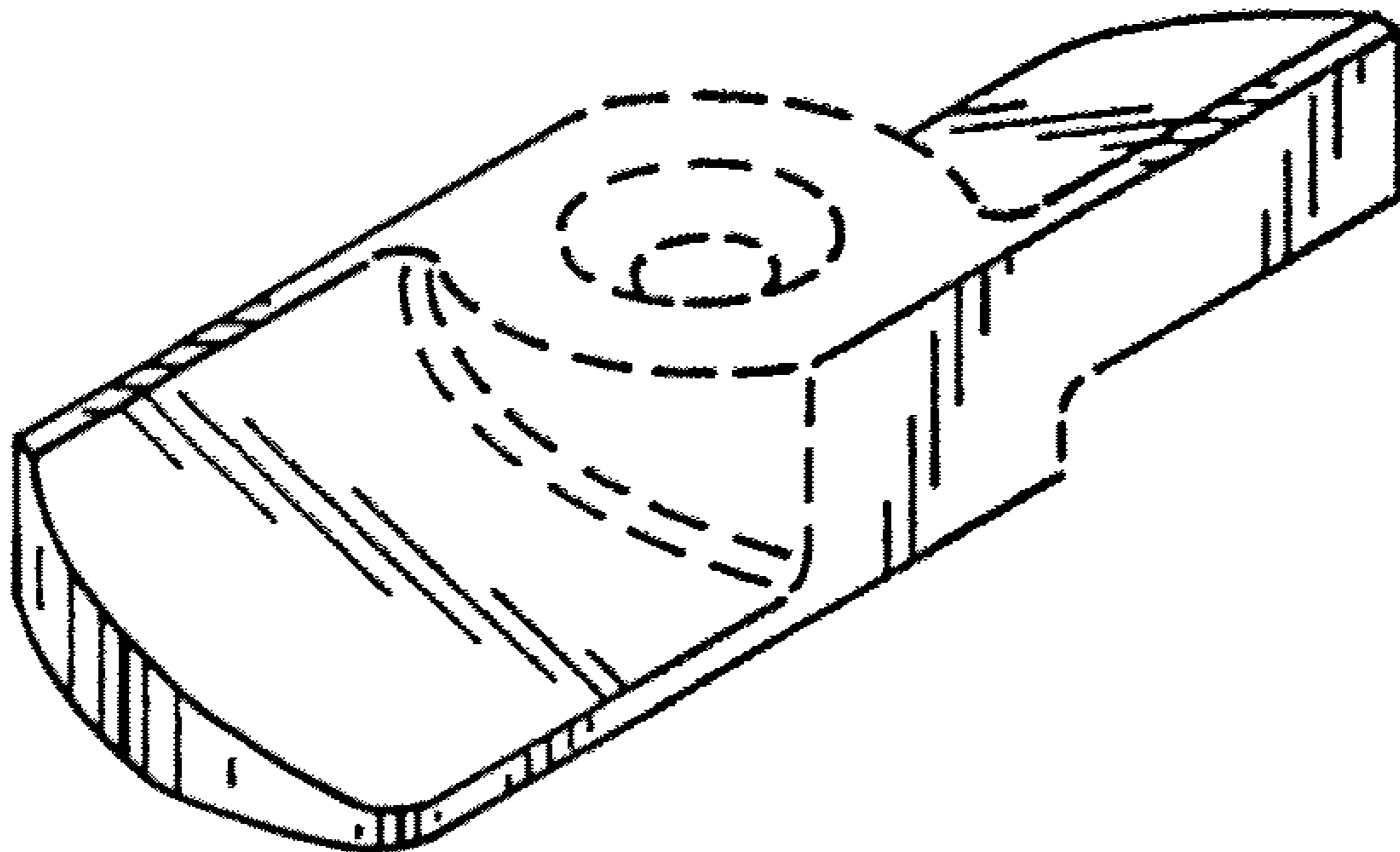
The ornamental design for a wiper blade, as shown and described.

**DESCRIPTION**

FIG. 1 is a perspective view of a wiper blade showing my new design;  
FIG. 2 is a top plan view of a wiper blade showing my new design;  
FIG. 3 is a side view of a wiper blade showing my new design;  
FIG. 4 is an end view of a wiper blade showing my new design; and,  
FIG. 5 is a bottom plan view of a wiper blade showing my new design.

The broken line showing of a surface and a circle grouping and portions of the extruder insert are included for the purpose of illustrating non-claimed subject matter and form no part of the claimed design.

**1 Claim, 1 Drawing Sheet**



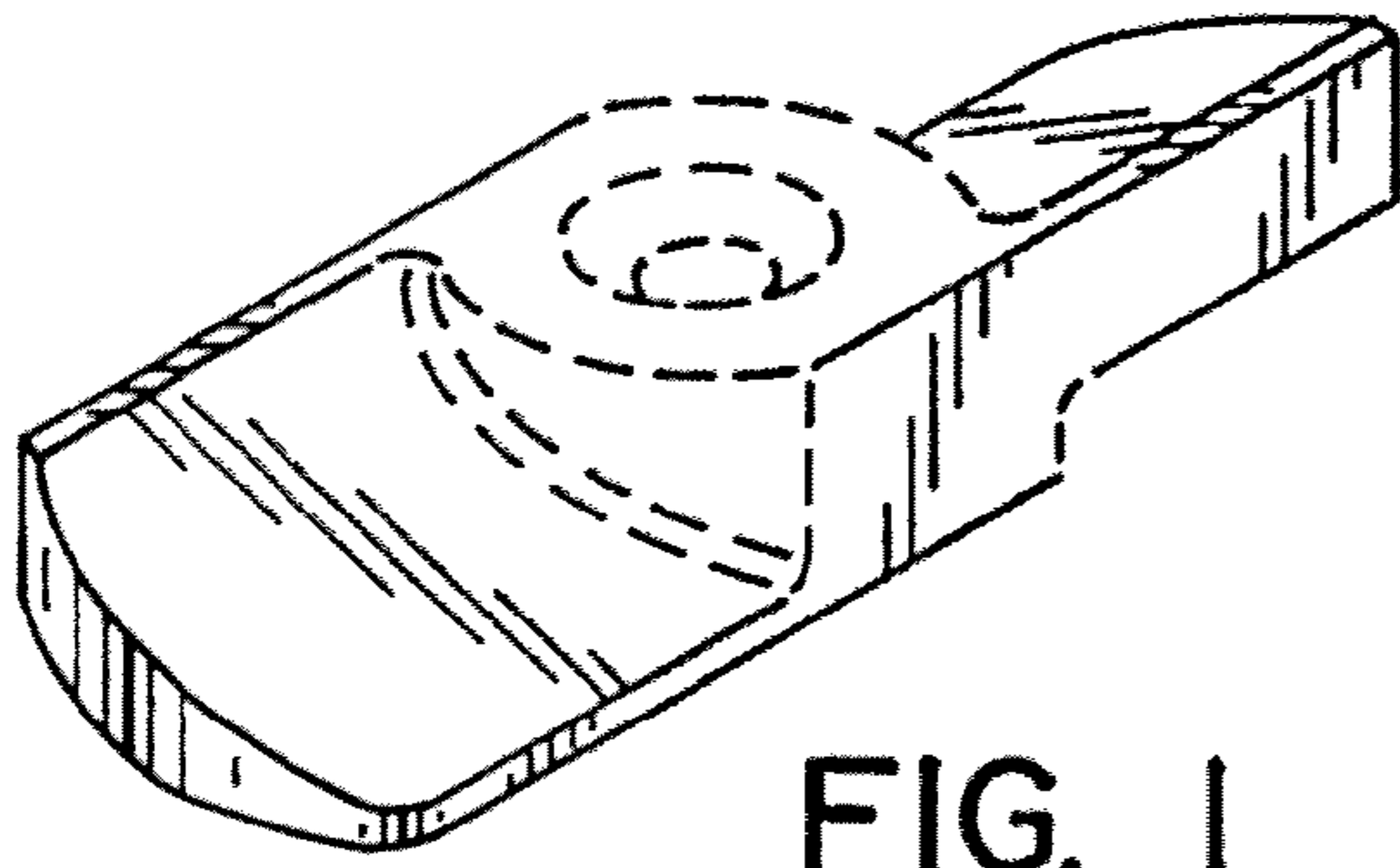


FIG. 1

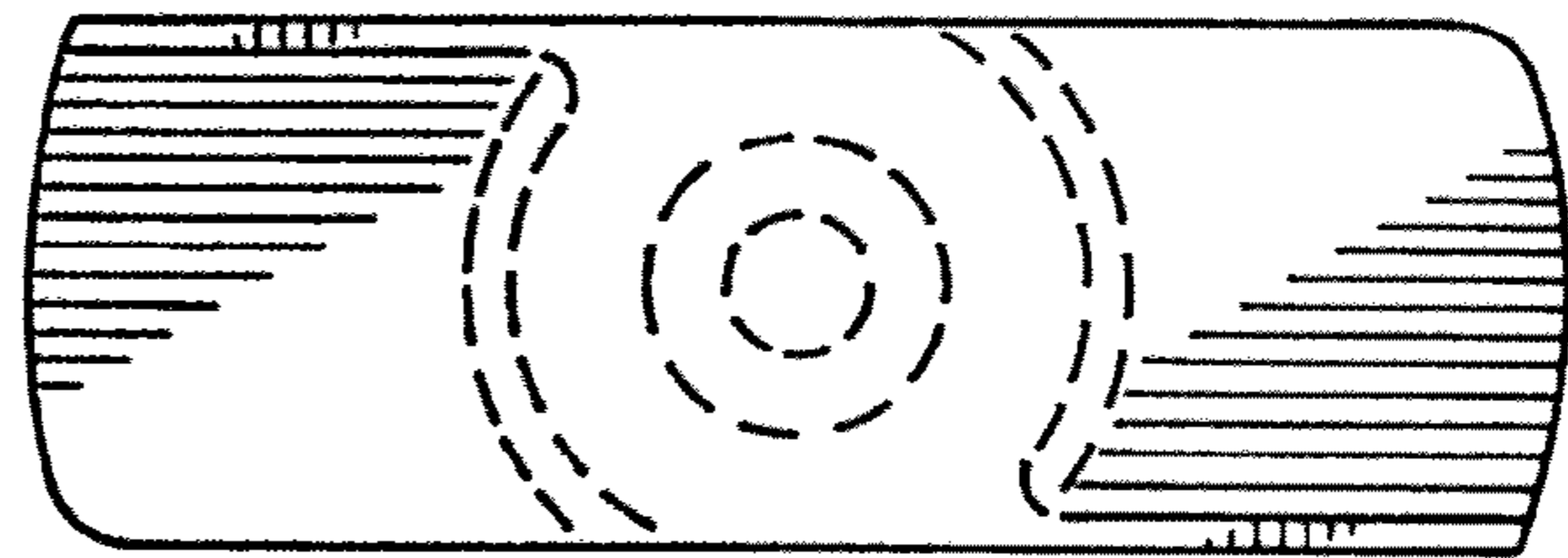


FIG. 2

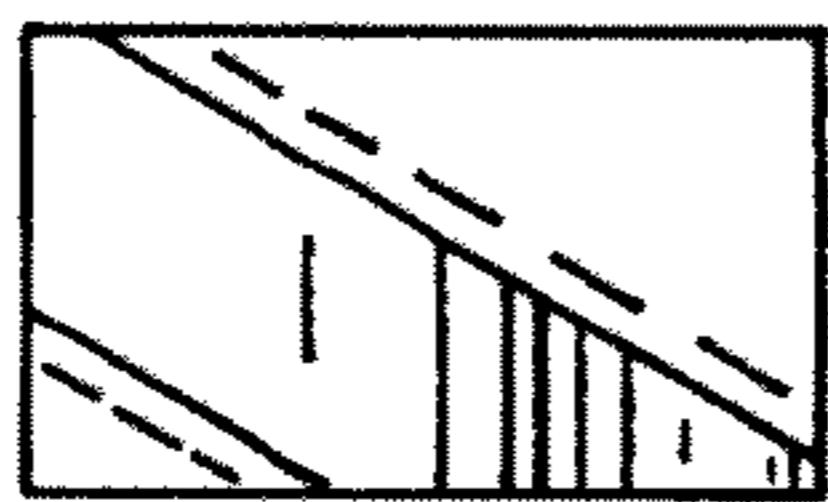


FIG. 4

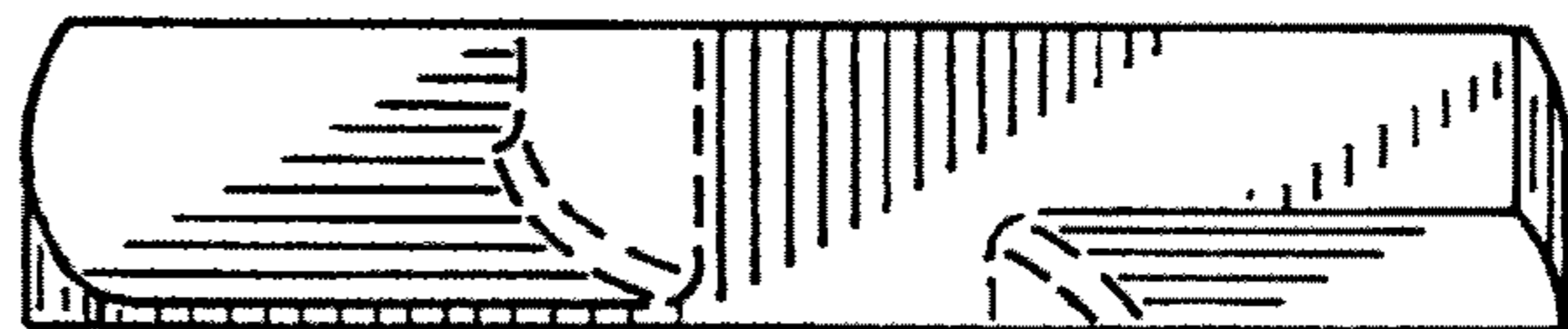


FIG. 3

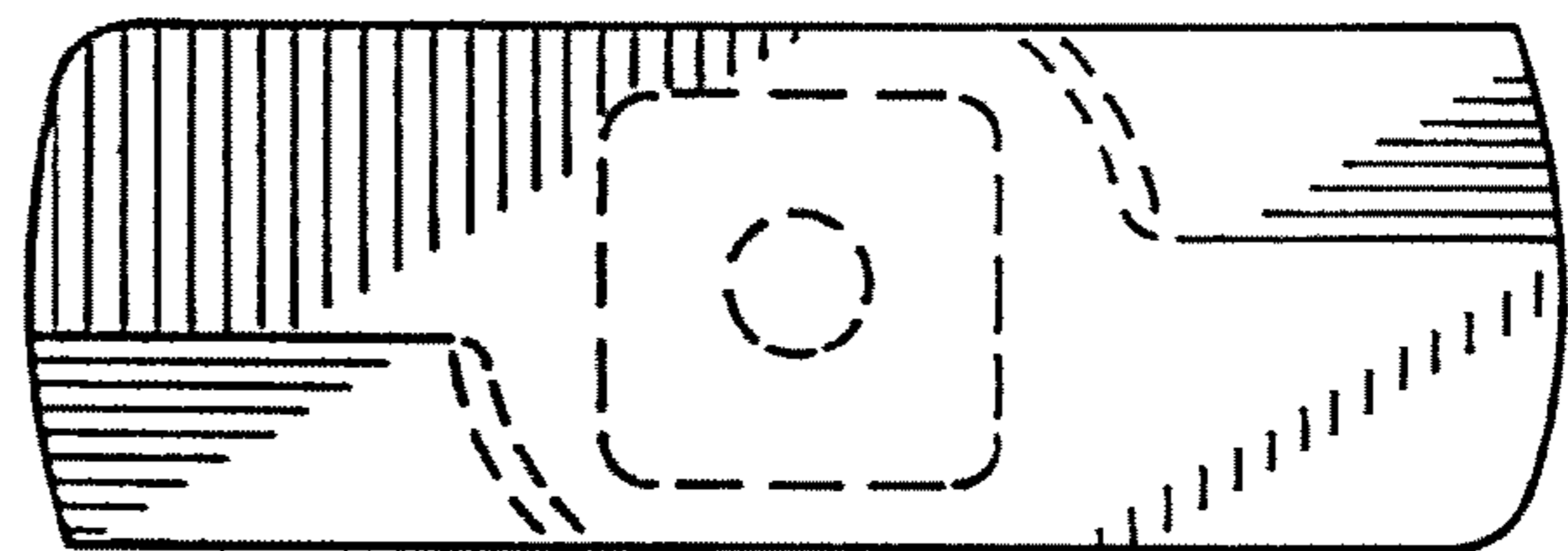


FIG. 5