



US00D706702S

(12) **United States Design Patent**
Chung

(10) **Patent No.:** **US D706,702 S**
(45) **Date of Patent:** **** Jun. 10, 2014**

(54) **AUTOMOTIVE WHEEL**

(71) Applicant: **Suny Chung**, Anaheim, CA (US)

(72) Inventor: **Suny Chung**, Anaheim, CA (US)

(**) Term: **14 Years**

(21) Appl. No.: **29/481,789**

(22) Filed: **Feb. 10, 2014**

(51) **LOC (10) Cl.** **12-16**

(52) **U.S. Cl.**
USPC **D12/211**

(58) **Field of Classification Search**
USPC D12/204-213; 301/37.101, 64.101, 65,
301/64.201

See application file for complete search history.

(56) **References Cited**

U.S. PATENT DOCUMENTS

D554,037 S * 10/2007 Chung D12/211
D629,347 S * 12/2010 Kim D12/211
D659,069 S * 5/2012 Johnson D12/211

D669,009 S * 10/2012 Chung D12/211
D680,940 S * 4/2013 Hale, Jr. D12/211
D681,534 S * 5/2013 Zhao D12/211
D686,963 S * 7/2013 Hale, Jr. D12/211
D691,545 S * 10/2013 Gordon D12/211
D695,193 S * 12/2013 Kong D12/211
D695,195 S * 12/2013 Chung D12/211
D702,172 S * 4/2014 Chung D12/211

* cited by examiner

Primary Examiner — Stacia Cadmus

(57) **CLAIM**

The ornamental design for an automotive wheel, as shown and described.

DESCRIPTION

FIG. 1 is a perspective view of an automotive wheel, showing my new design; and,

FIG. 2 is a front view thereof.

The broken line showing of the rear portion of the wheel is included for the purpose of illustrating environment and forms no part of the claimed design.

1 Claim, 2 Drawing Sheets

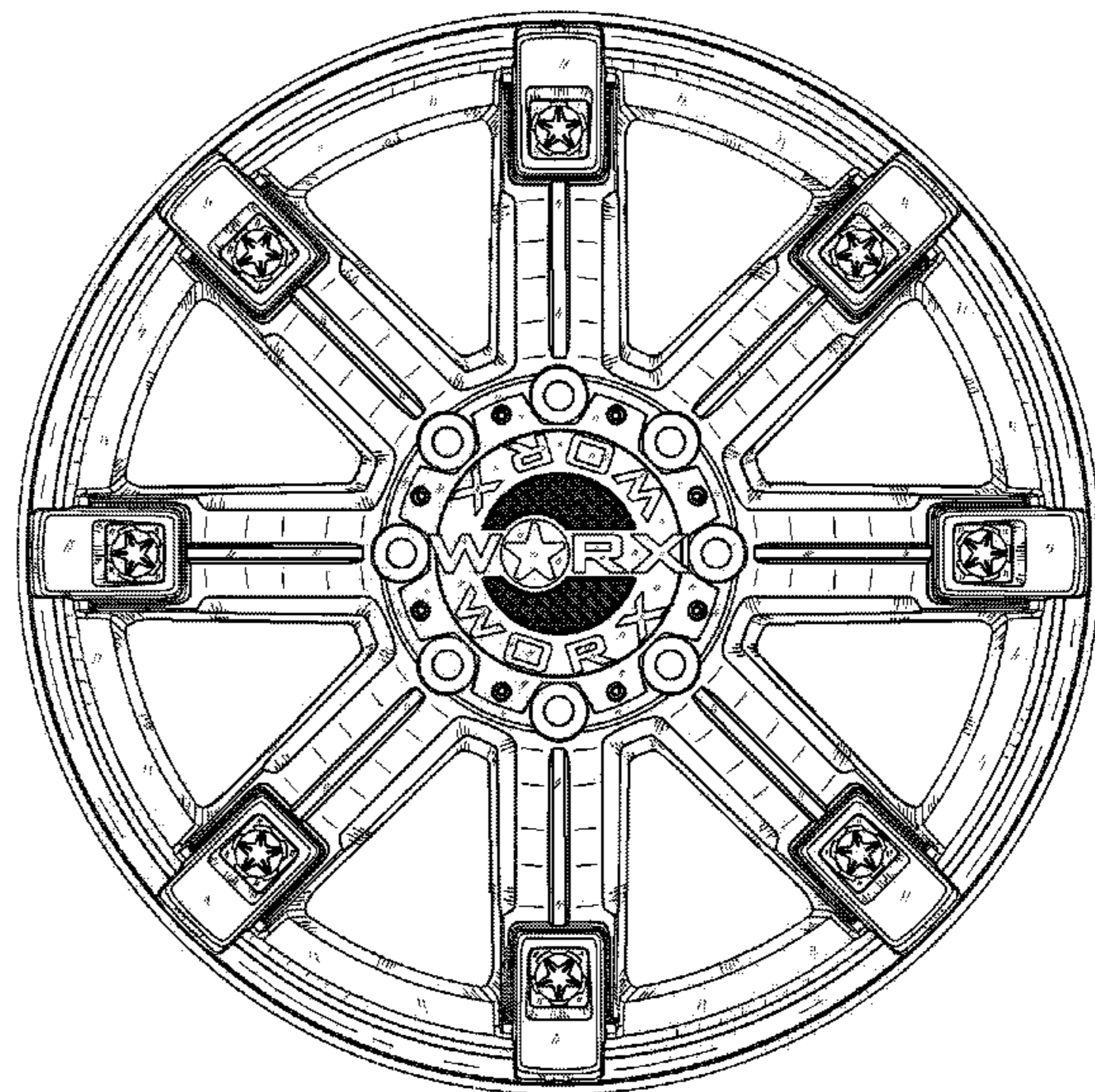
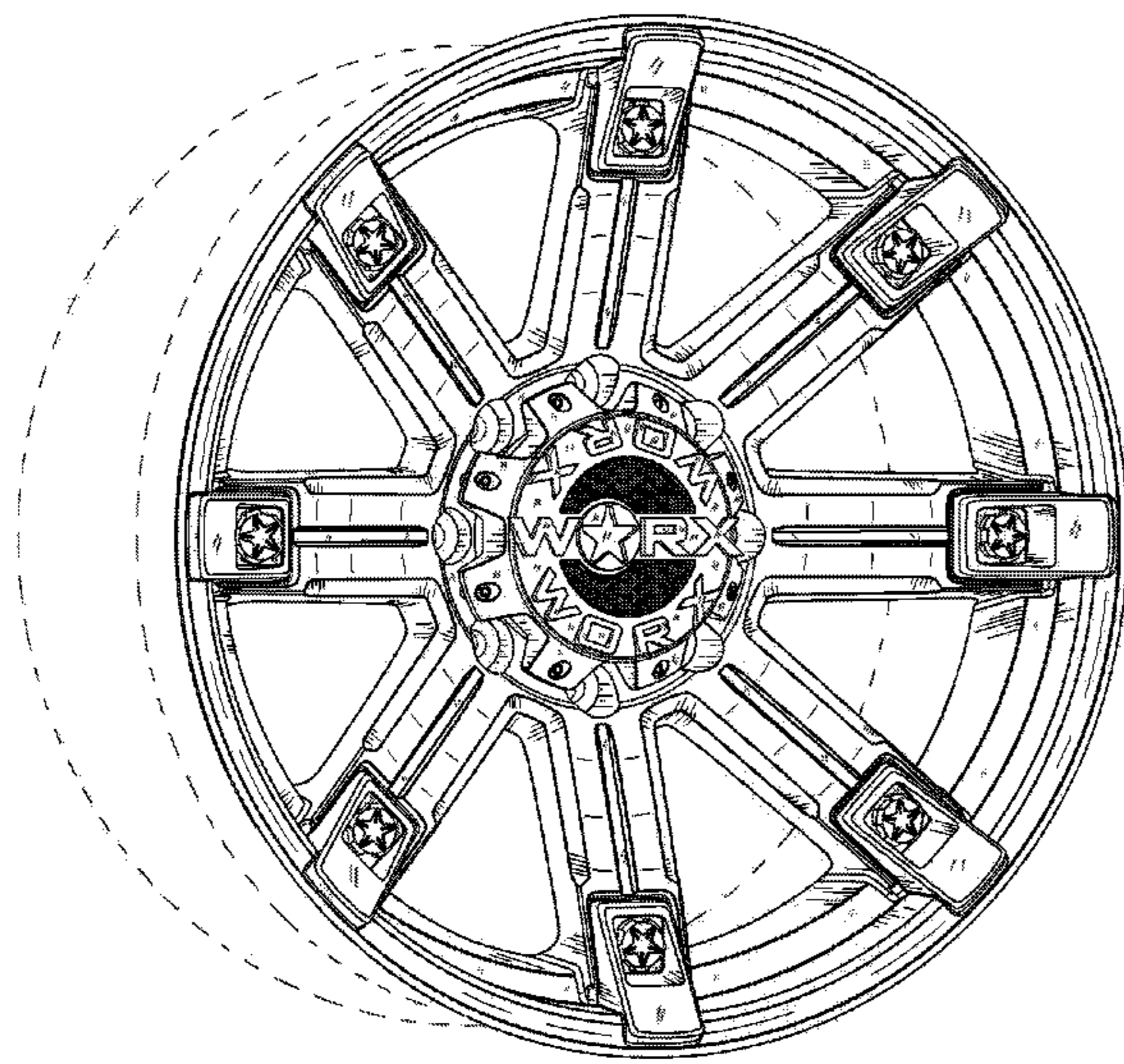


FIGURE 1

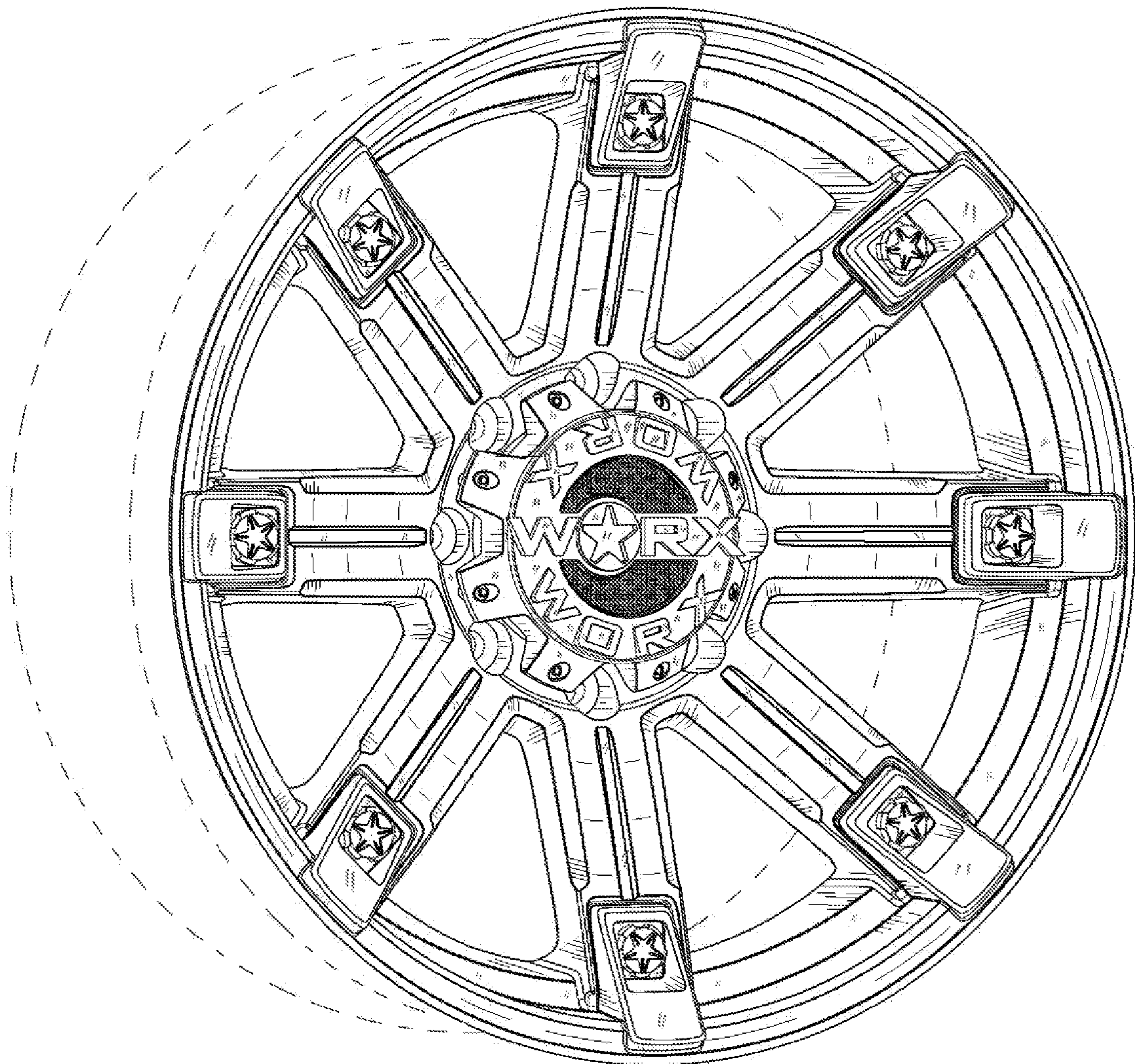


FIGURE 2

