



US00D706698S

(12) **United States Design Patent**
Zhao

(10) **Patent No.:** **US D706,698 S**

(45) **Date of Patent:** **** *Jun. 10, 2014**

(54) **AUTOMOBILE WHEEL**

(71) Applicant: **Wah Hung International Machinery Inc.**, Monterey Park, CA (US)

(72) Inventor: **John Zhao**, Monterey Park, CA (US)

(73) Assignee: **Wah Hung Group Inc.**, Monterey Park, CA (US)

(*) Notice: This patent is subject to a terminal disclaimer.

(**) Term: **14 Years**

(21) Appl. No.: **29/435,034**

(22) Filed: **Oct. 18, 2012**

(51) **LOC (10) Cl.** **12-16**

(52) **U.S. Cl.**
USPC **D12/211**

(58) **Field of Classification Search**
USPC D12/204-213; 301/37.101, 64.101, 65,
301/64.201

See application file for complete search history.

(56) **References Cited**

U.S. PATENT DOCUMENTS

D533,827 S *	12/2006	Aydin	D12/211
D546,748 S *	7/2007	Young	D12/211
D578,455 S *	10/2008	Pfeiffer	D12/211
D593,021 S *	5/2009	Chung	D12/211
D617,250 S *	6/2010	Zhao	D12/211
D617,709 S *	6/2010	Borkert	D12/209
D617,718 S *	6/2010	Zhao	D12/211
D618,156 S *	6/2010	Zhao	D12/211
D620,418 S *	7/2010	Borkert	D12/209
D655,234 S *	3/2012	Zhao	D12/211
D670,226 S *	11/2012	Muller	D12/211

* cited by examiner

Primary Examiner — Stacia Cadmus

(74) *Attorney, Agent, or Firm* — Adli Law Group P.C.

(57) **CLAIM**

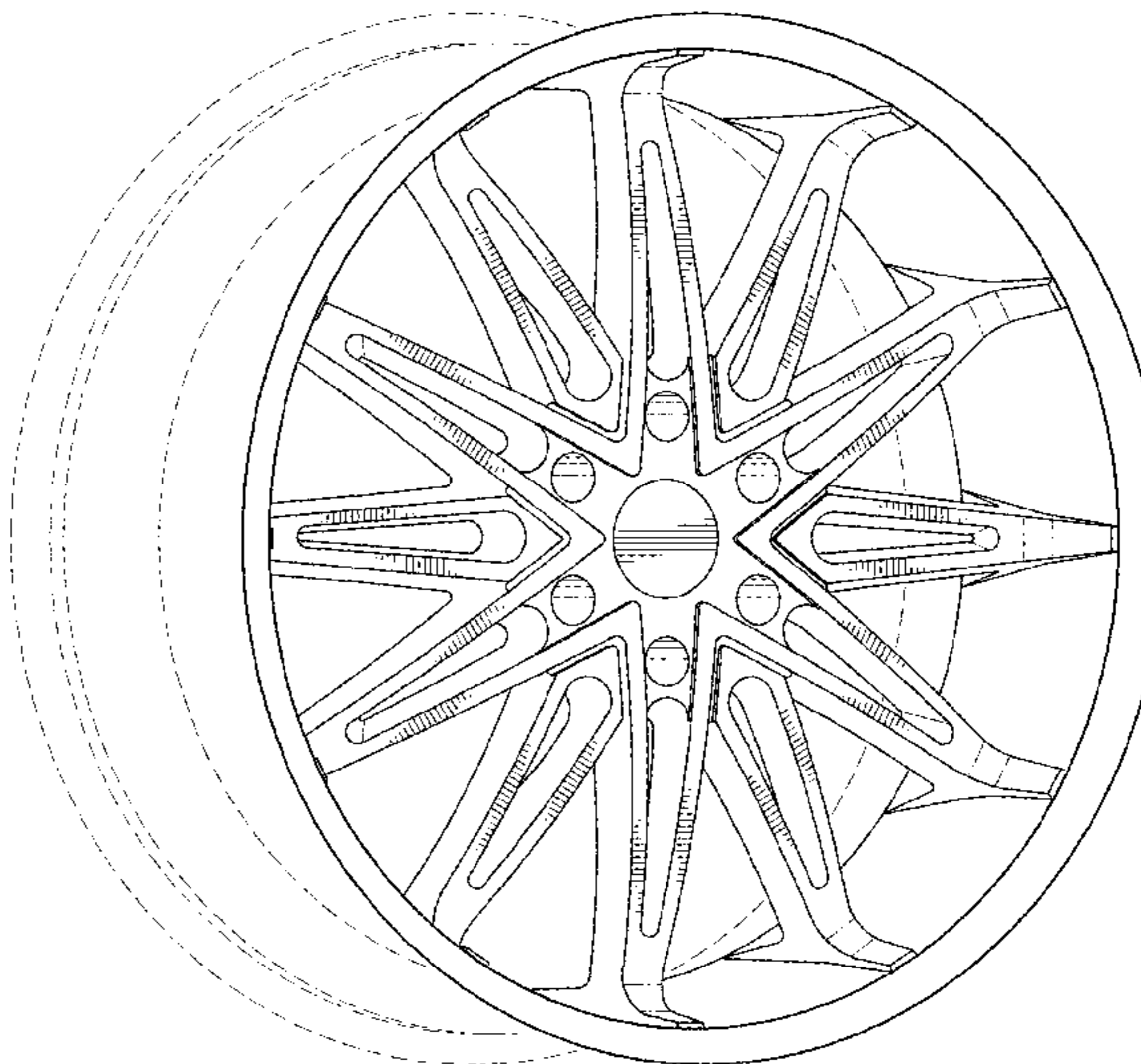
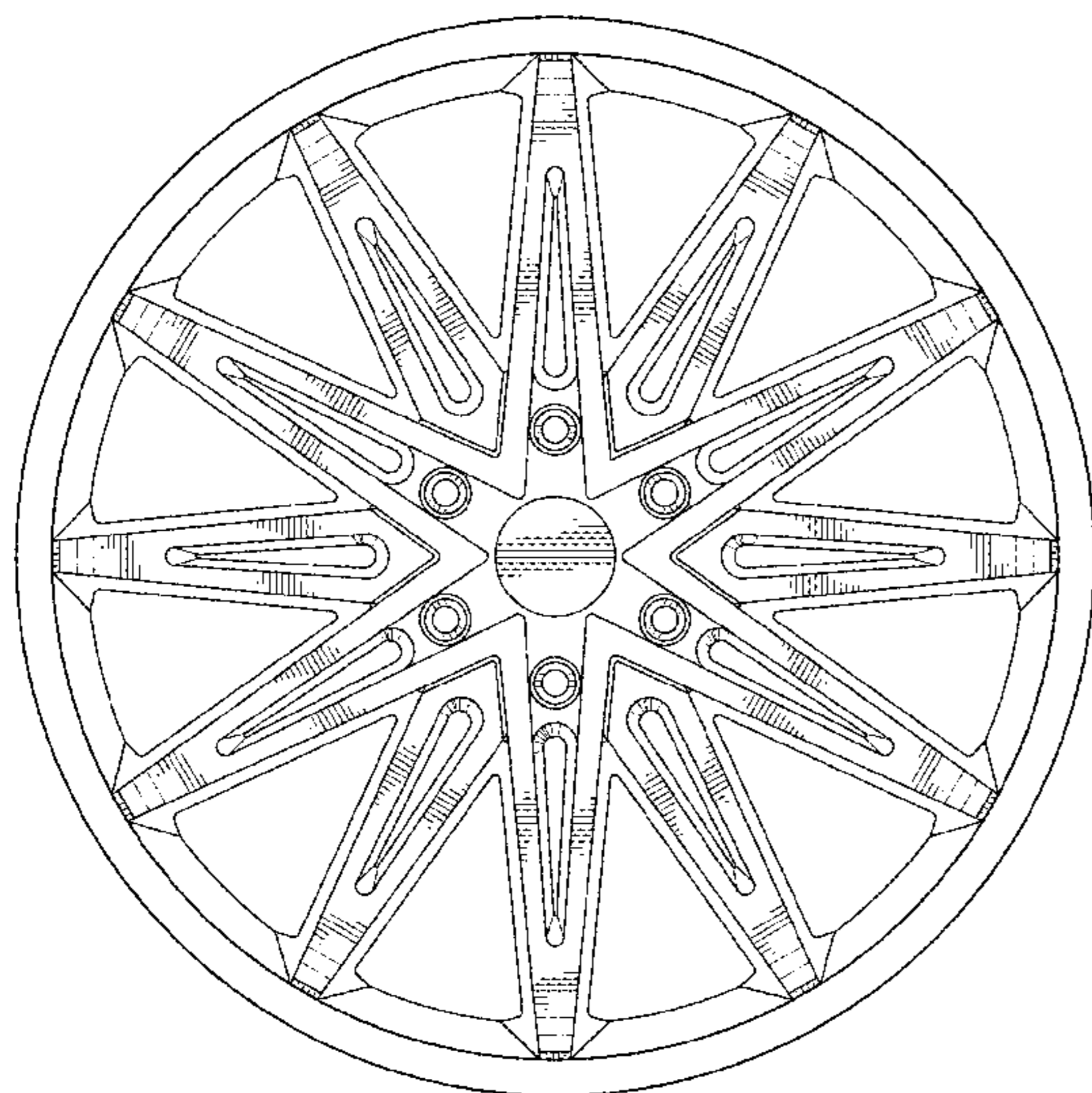
The ornamental design for an automobile wheel, as shown and described.

DESCRIPTION

FIG. 1 is a front elevational view of an automobile wheel, showing my new design; and, FIG. 2 is perspective view thereof.

The broken line showing of the rear of the rim is included for the purpose of illustrating environment and forms no part of the claimed design.

1 Claim, 2 Drawing Sheets



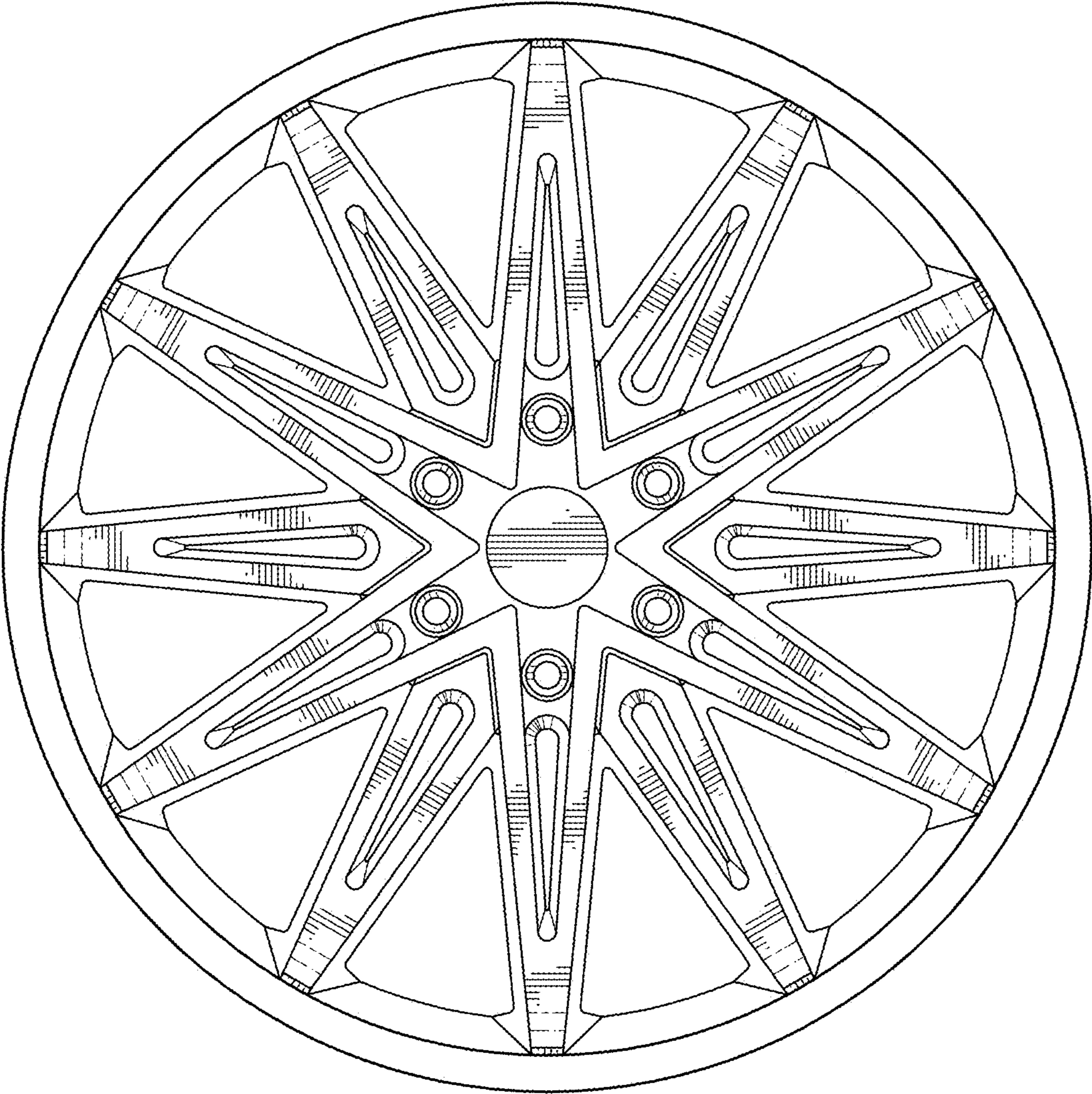


FIG. 1

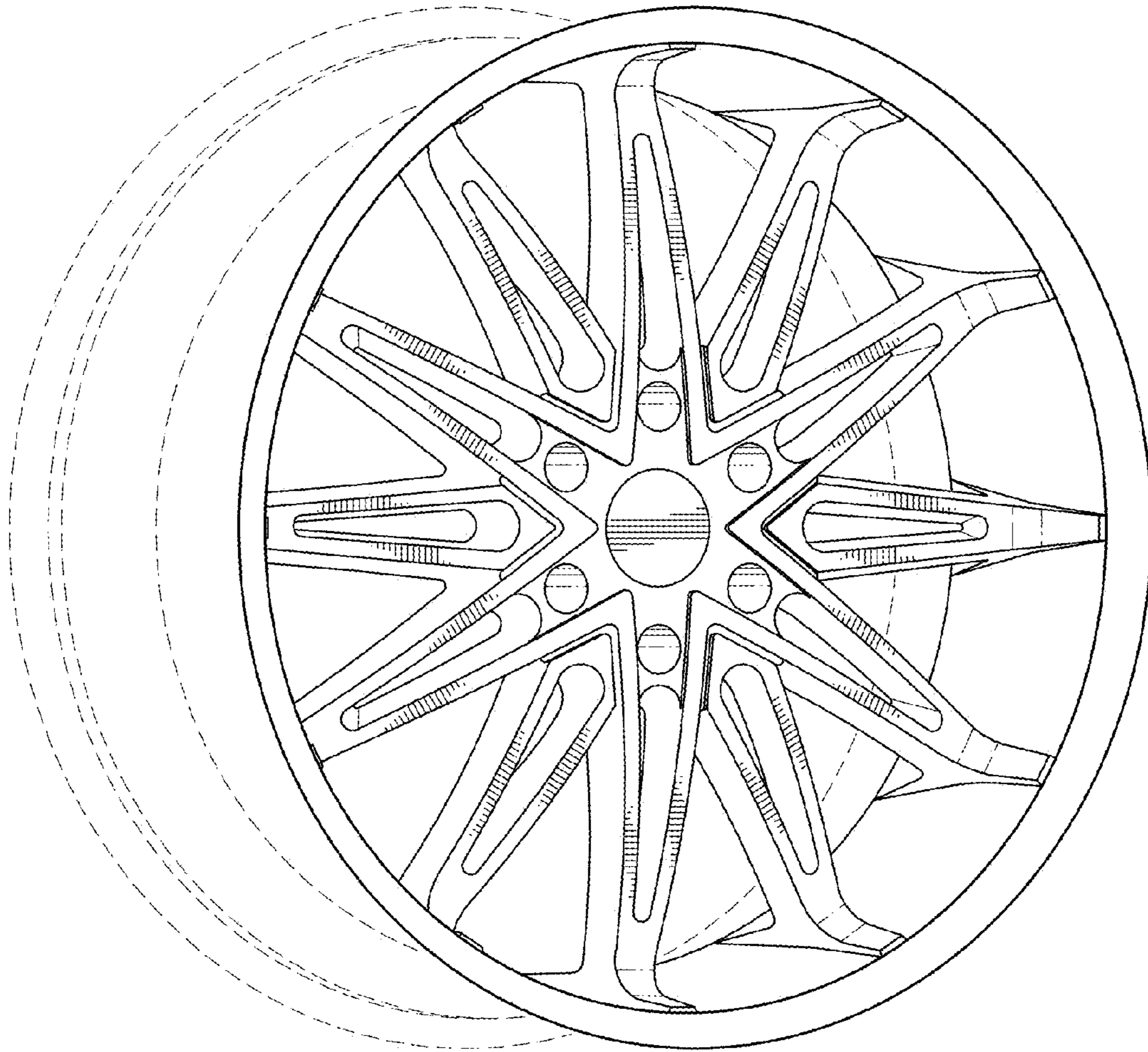


FIG. 2