



US00D706697S

(12) **United States Design Patent**
Chung

(10) **Patent No.:** **US D706,697 S**
(45) **Date of Patent:** **** Jun. 10, 2014**

- (54) **AUTOMOTIVE WHEEL**
- (71) Applicant: **Suny Chung**, Anaheim, CA (US)
- (72) Inventor: **Suny Chung**, Anaheim, CA (US)
- (**) Term: **14 Years**
- (21) Appl. No.: **29/485,432**
- (22) Filed: **Mar. 19, 2014**
- (51) **LOC (10) Cl.** **12-16**
- (52) **U.S. Cl.**
USPC **D12/209**
- (58) **Field of Classification Search**
USPC D12/204-213; 301/37.101, 64.101, 65,
301/64.201
See application file for complete search history.

(56) **References Cited**

U.S. PATENT DOCUMENTS

- D567,732 S * 4/2008 Chung D12/209
- D582,829 S * 12/2008 Musser D12/211
- D625,242 S * 10/2010 Zhao D12/211

- D639,222 S * 6/2011 Johnson D12/209
- D666,955 S * 9/2012 Chung D12/209
- D678,160 S * 3/2013 Claunch D12/209
- D680,936 S * 4/2013 Claunch D12/209
- D681,534 S * 5/2013 Zhao D12/211
- D691,937 S * 10/2013 Chan D12/209
- D696,616 S * 12/2013 Gueler et al. D12/209
- D698,300 S * 1/2014 Chung D12/211
- D699,660 S * 2/2014 Zhao D12/209

* cited by examiner

Primary Examiner — Stacia Cadmus

(57) **CLAIM**

The ornamental design for an automotive wheel, as shown and described.

DESCRIPTION

FIG. 1 is a perspective view of an automotive wheel, showing my new design; and, FIG. 2 is a front view thereof. The broken line showing of the rear portion of the wheel is included for the purpose of illustrating environment and forms no part of the claimed design.

1 Claim, 2 Drawing Sheets

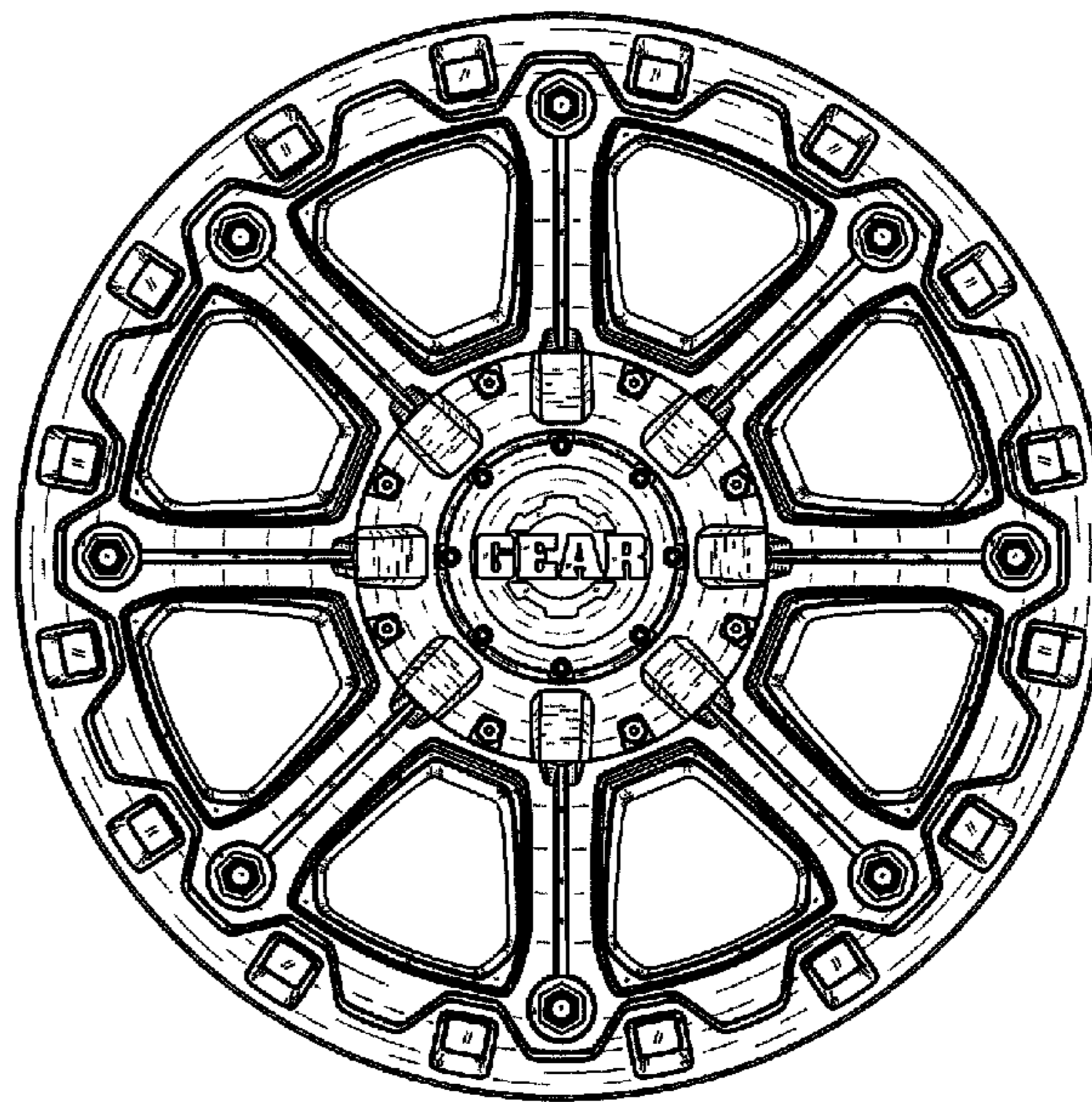
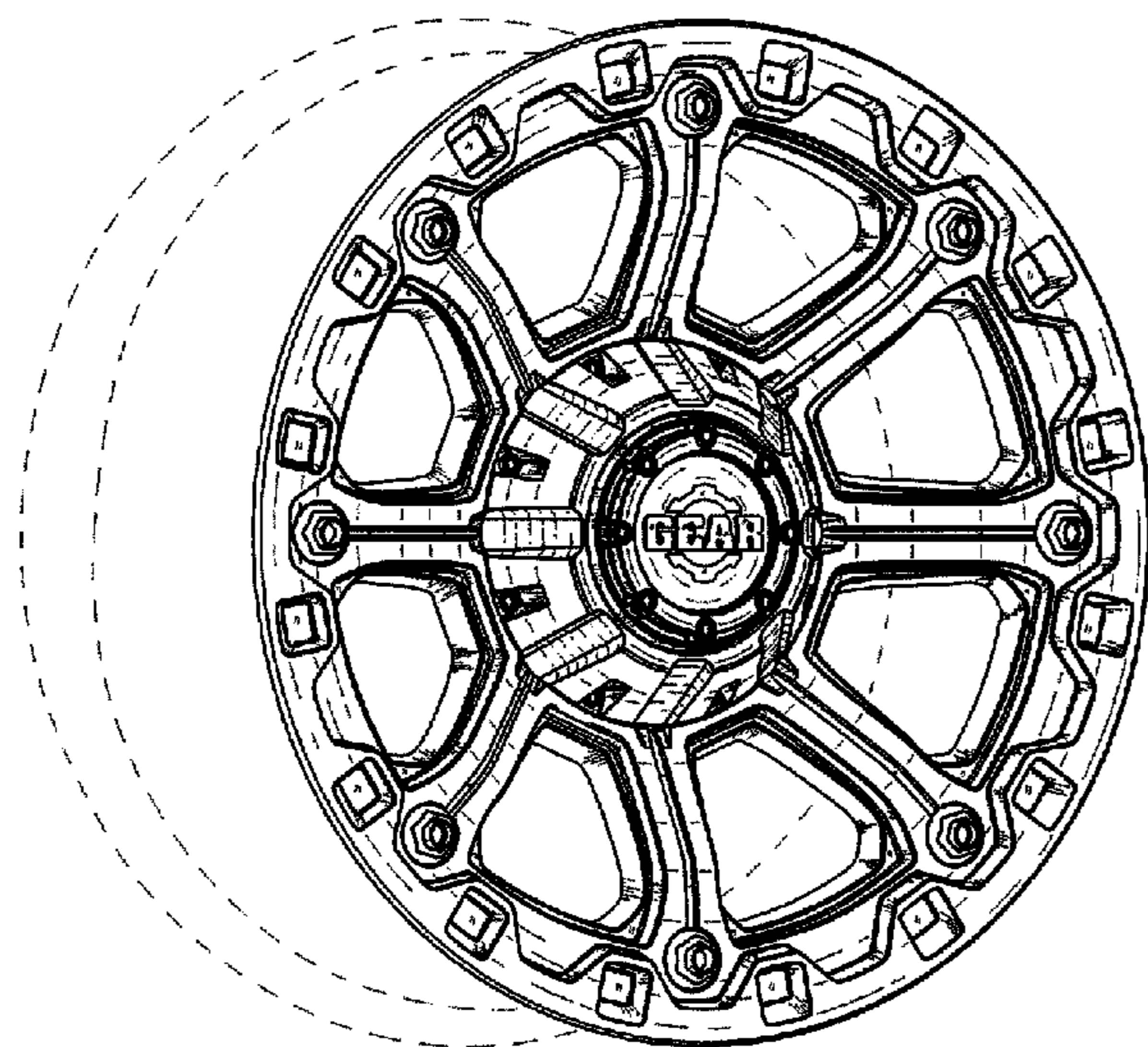


FIGURE 1

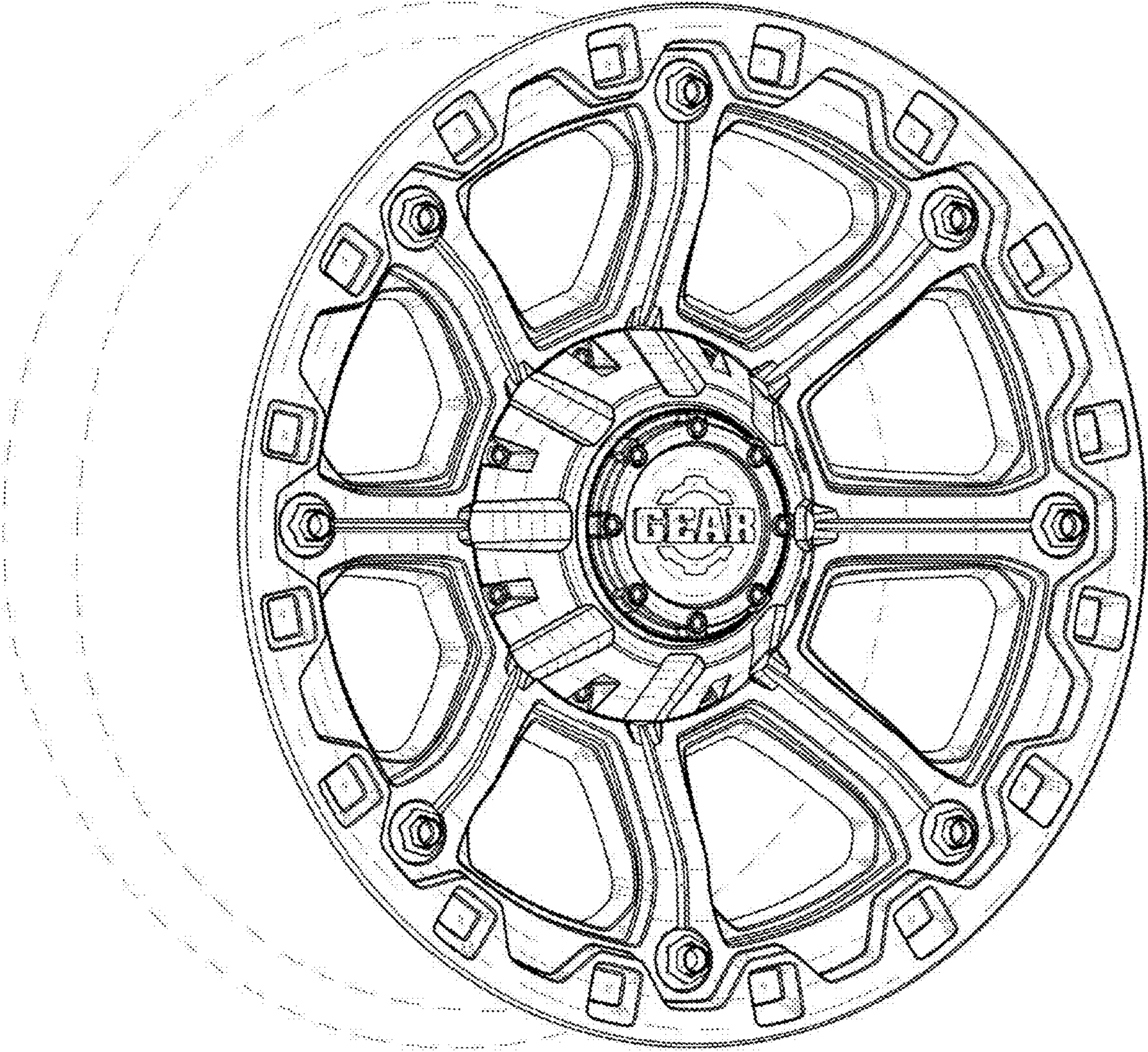


FIGURE 2

