



US00D706696S

(12) **United States Design Patent**
Chung

(10) **Patent No.:** **US D706,696 S**
(45) **Date of Patent:** **** Jun. 10, 2014**

(54) **AUTOMOTIVE WHEEL**

(71) Applicant: **Suny Chung**, Anaheim, CA (US)

(72) Inventor: **Suny Chung**, Anaheim, CA (US)

(**) Term: **14 Years**

(21) Appl. No.: **29/485,425**

(22) Filed: **Mar. 19, 2014**

(51) **LOC (10) Cl.** **12-16**

(52) **U.S. Cl.**
USPC **D12/209**

(58) **Field of Classification Search**
USPC D12/204-213; 301/37.101, 64.101, 65,
301/64.201

See application file for complete search history.

(56) **References Cited**

U.S. PATENT DOCUMENTS

D284,073 S *	6/1986	Flodman	D12/211
D451,461 S *	12/2001	Arellano	D12/209
D460,396 S *	7/2002	Kember et al.	D12/209
D491,124 S *	6/2004	Rice	D12/209
D496,318 S *	9/2004	Cheng	D12/209

D522,435 S *	6/2006	Long	D12/209
D593,018 S *	5/2009	Juergens et al.	D12/209
D614,107 S *	4/2010	Juergens et al.	D12/209
D617,712 S *	6/2010	Juergens et al.	D12/209
D618,152 S *	6/2010	Juergens et al.	D12/209
D620,865 S *	8/2010	Park	D12/209
D624,861 S *	10/2010	Zhao	D12/209
D664,081 S *	7/2012	Muller	D12/209
D680,483 S *	4/2013	Zhao	D12/209
D688,186 S *	8/2013	McMath	D12/209
D694,165 S *	11/2013	Chinavare	D12/209

* cited by examiner

Primary Examiner — Stacia Cadmus

(57) **CLAIM**

The ornamental design for an automotive wheel, as shown and described

DESCRIPTION

FIG. 1 is a perspective view of an automotive wheel, showing my new design; and, FIG. 2 is a front view thereof.

The broken line showing of the rear portion of the wheel is included for the purpose of illustrating environment and forms no part of the claimed design.

1 Claim, 2 Drawing Sheets

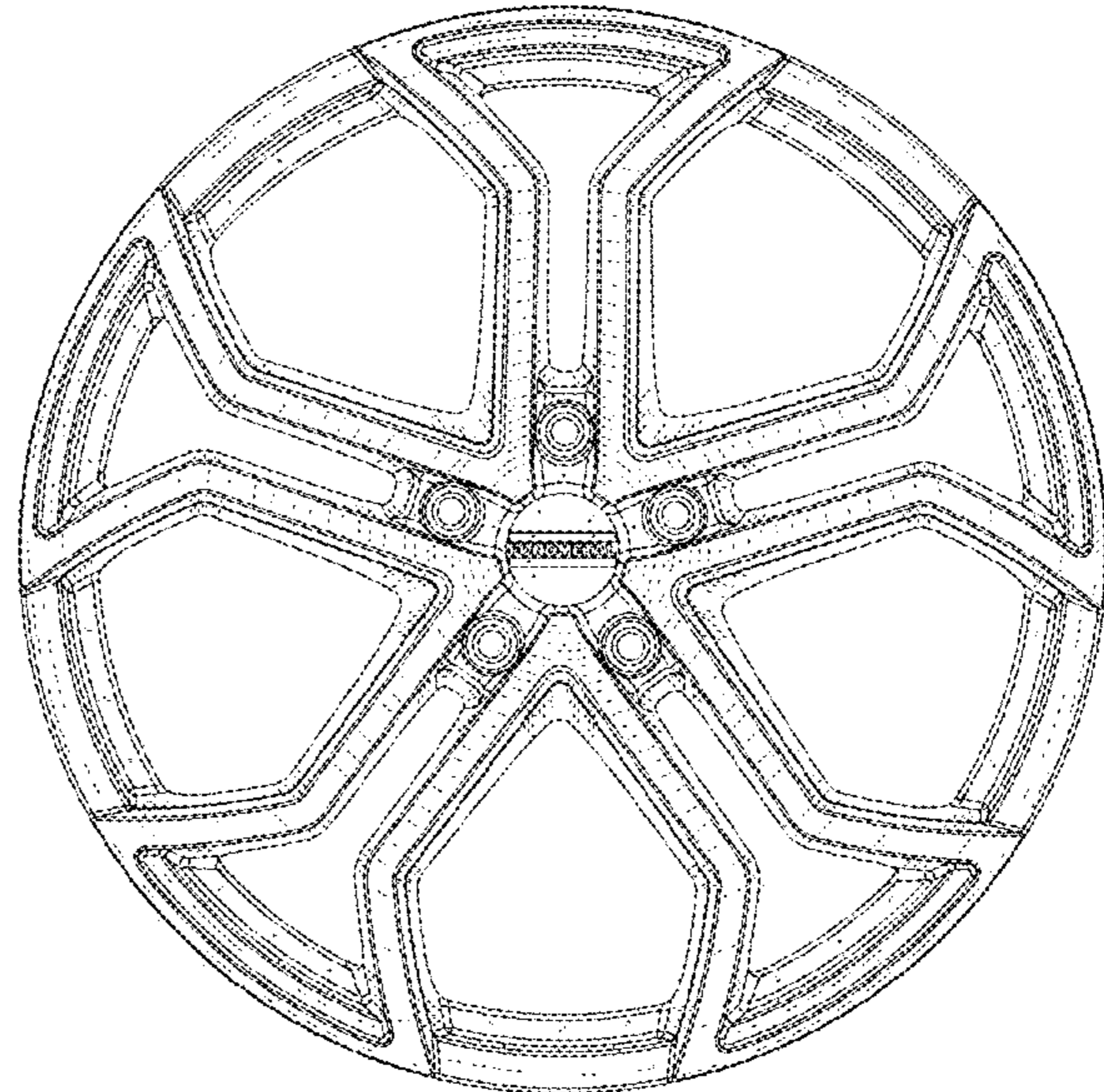
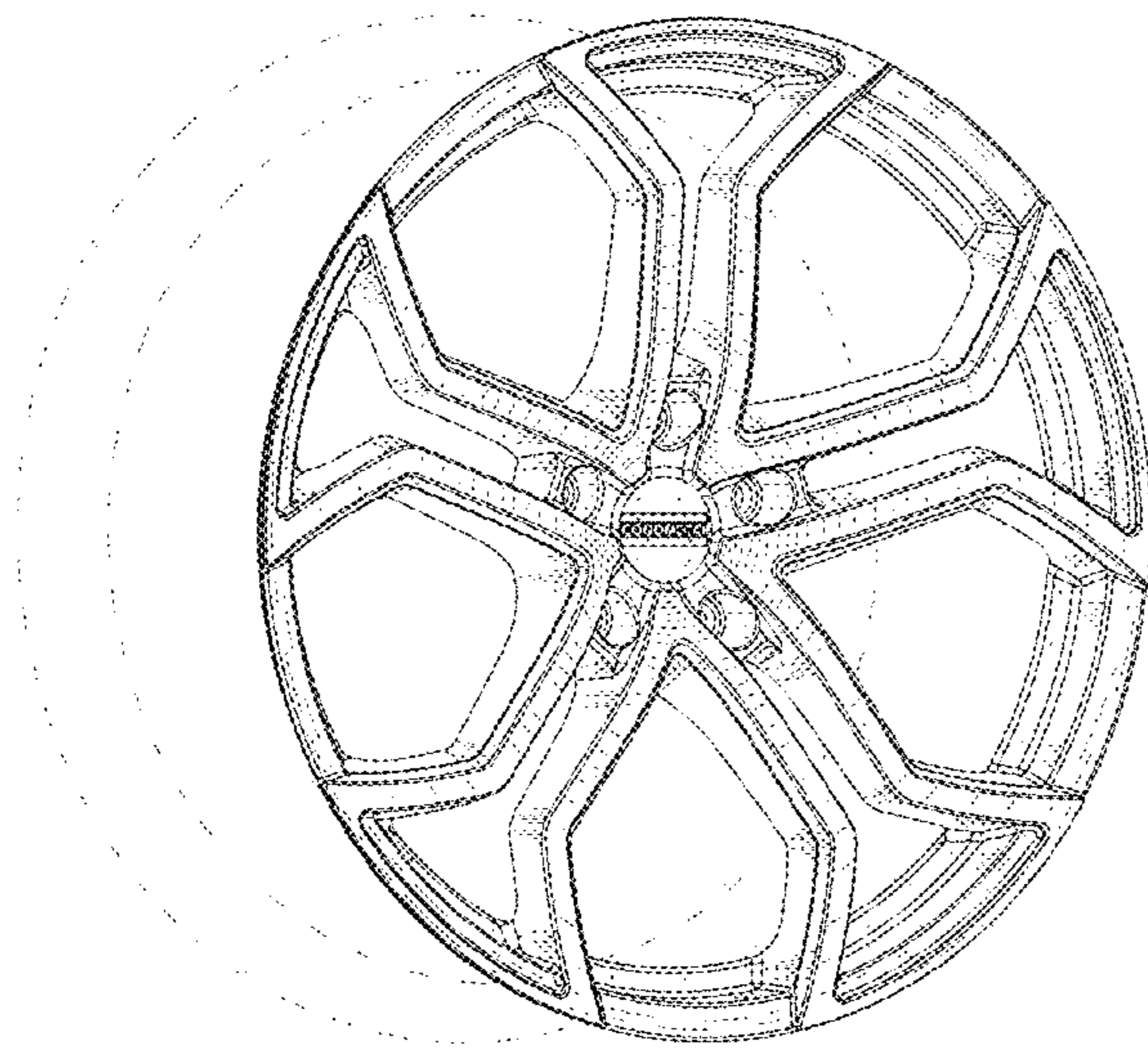


FIGURE 1

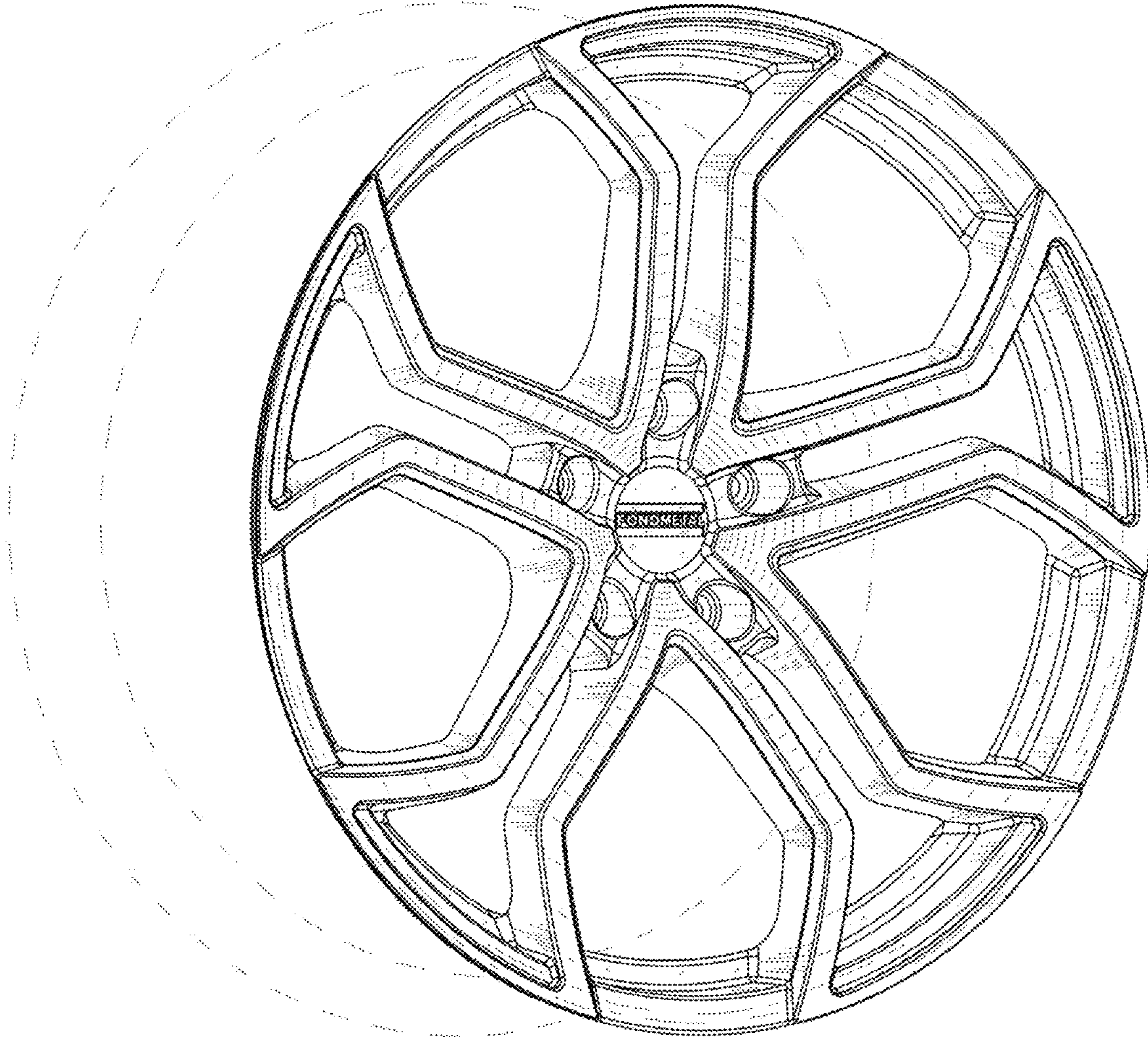


FIGURE 2

