



US00D706695S

(12) **United States Design Patent**
Platto et al.

(10) **Patent No.:** **US D706,695 S**
(45) **Date of Patent:** **** Jun. 10, 2014**

(54) **VEHICLE WHEEL**

(71) Applicant: **Ford Motor Company**, Dearborn, MI (US)

(72) Inventors: **Gordon M. Platto**, Troy, MI (US);
Bardley A. Richards, Bloomfield Hills, MI (US); **Moray S. Callum**, Ann Arbor, MI (US); **Joel Piaskowski**, Brighton (AU); **Dong H. Park**, Royal Oak, MI (US); **Richard Howard**, Brighton, MI (US)

(73) Assignee: **Ford Motor Company**, Dearborn, MI (US)

(**) Term: **14 Years**

(21) Appl. No.: **29/475,470**

(22) Filed: **Dec. 3, 2013**

(51) **LOC (10) Cl.** **12-16**

(52) **U.S. Cl.**
USPC **D12/209**

(58) **Field of Classification Search**
USPC D12/204-213; 301/37.101, 64.101, 65, 301/64.201

See application file for complete search history.

(56) **References Cited**

U.S. PATENT DOCUMENTS

D438,165 S *	2/2001	Echazabal	D12/211
D473,505 S *	4/2003	Min	D12/209
D524,219 S *	7/2006	Scheu	D12/211
D576,937 S *	9/2008	Imai	D12/211
D577,323 S *	9/2008	Chung	D12/211
D579,848 S *	11/2008	Kim	D12/211
D597,916 S *	8/2009	Chung	D12/209
D614,109 S *	4/2010	Tant et al.	D12/211
D614,111 S *	4/2010	Tant et al.	D12/211
D620,421 S *	7/2010	Lamm et al.	D12/209
D640,178 S *	6/2011	Groom	D12/211
D675,973 S *	2/2013	Lee	D12/211
D689,000 S *	9/2013	Platto et al.	D12/209
D695,188 S *	12/2013	Chinavare	D12/209

* cited by examiner

Primary Examiner — Stacia Cadmus

(74) *Attorney, Agent, or Firm* — Damian Porcari

(57) **CLAIM**

The ornamental design for a vehicle wheel, as shown and described.

DESCRIPTION

FIG. 1 is a front view of a vehicle wheel; and, FIG. 2 is a perspective view thereof.

1 Claim, 2 Drawing Sheets

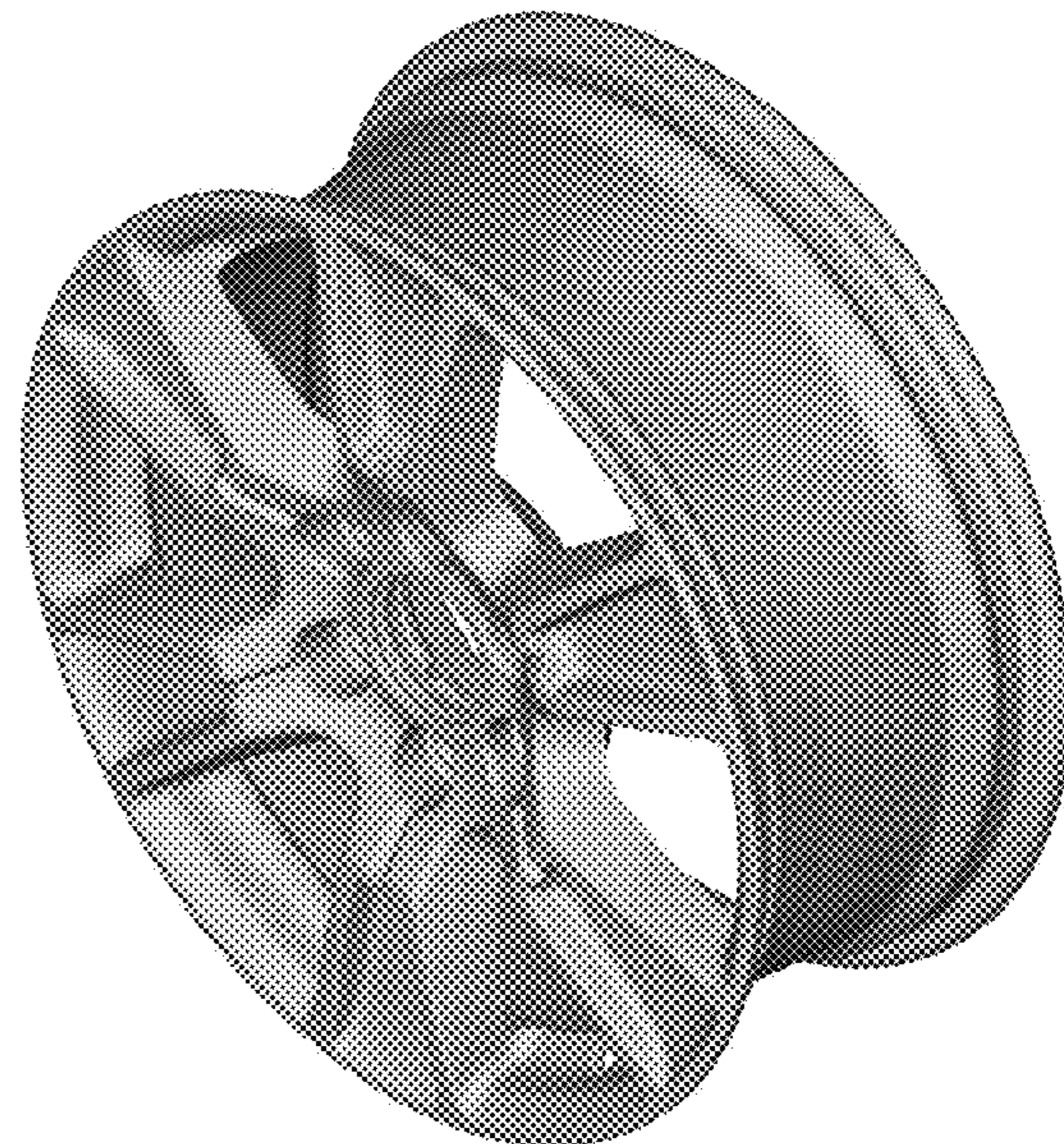




Figure 1

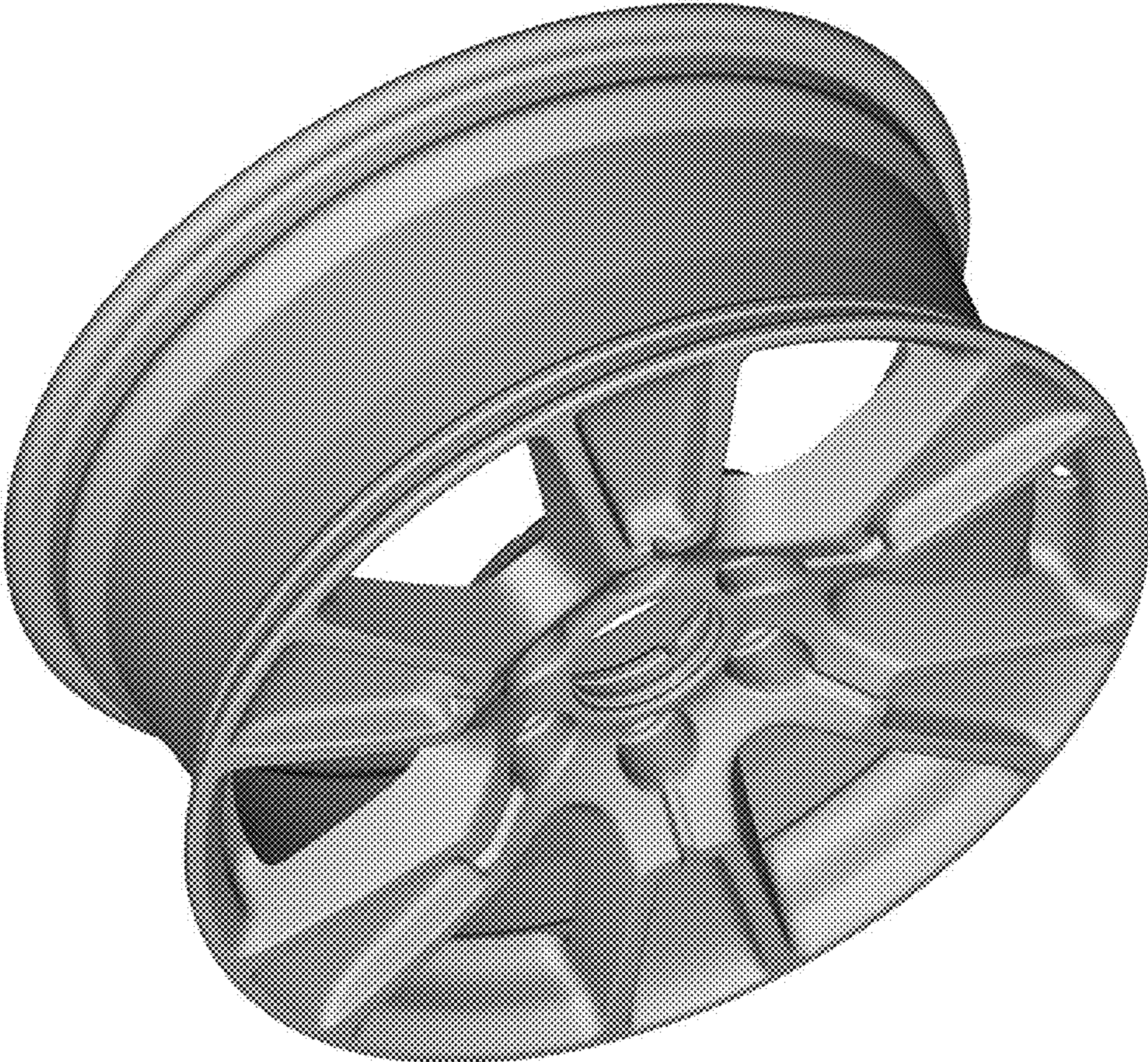


Figure 2