



US00D706693S

(12) **United States Design Patent**  
**Stolz**

(10) **Patent No.:** **US D706,693 S**  
(45) **Date of Patent:** **\*\* Jun. 10, 2014**

(54) **WHEEL OR WHEEL COVER**

(75) Inventor: **Gert Stolz**, Stuttgart (DE)

(73) Assignee: **Daimler AG**, Stuttgart (DE)

(\*\*) Term: **14 Years**

(21) Appl. No.: **29/371,297**

(22) Filed: **Dec. 21, 2010**

(30) **Foreign Application Priority Data**

Jun. 22, 2010 (EM) ..... 001722547-0006

(51) **LOC (10) Cl.** ..... **12-16**

(52) **U.S. Cl.**  
USPC ..... **D12/209**

(58) **Field of Classification Search**  
USPC ..... D12/204-213; 301/37.101, 64.101, 65,  
301/64.201  
See application file for complete search history.

(56) **References Cited**

**U.S. PATENT DOCUMENTS**

D593,476 S \* 6/2009 Juergens et al. .... D12/211  
D596,551 S \* 7/2009 Futschik et al. .... D12/211

D604,684 S \* 11/2009 Spoerle ..... D12/211  
D609,624 S \* 2/2010 Matsubara ..... D12/211  
D617,717 S \* 6/2010 Nordmann ..... D12/211  
D620,871 S \* 8/2010 Juergens et al. .... D12/211  
D655,662 S \* 3/2012 Stucki ..... D12/211  
D655,664 S \* 3/2012 Zhao ..... D12/211  
D680,484 S \* 4/2013 Zhao ..... D12/209

\* cited by examiner

*Primary Examiner* — Stacia Cadmus

(74) *Attorney, Agent, or Firm* — Crowell & Moring LLP

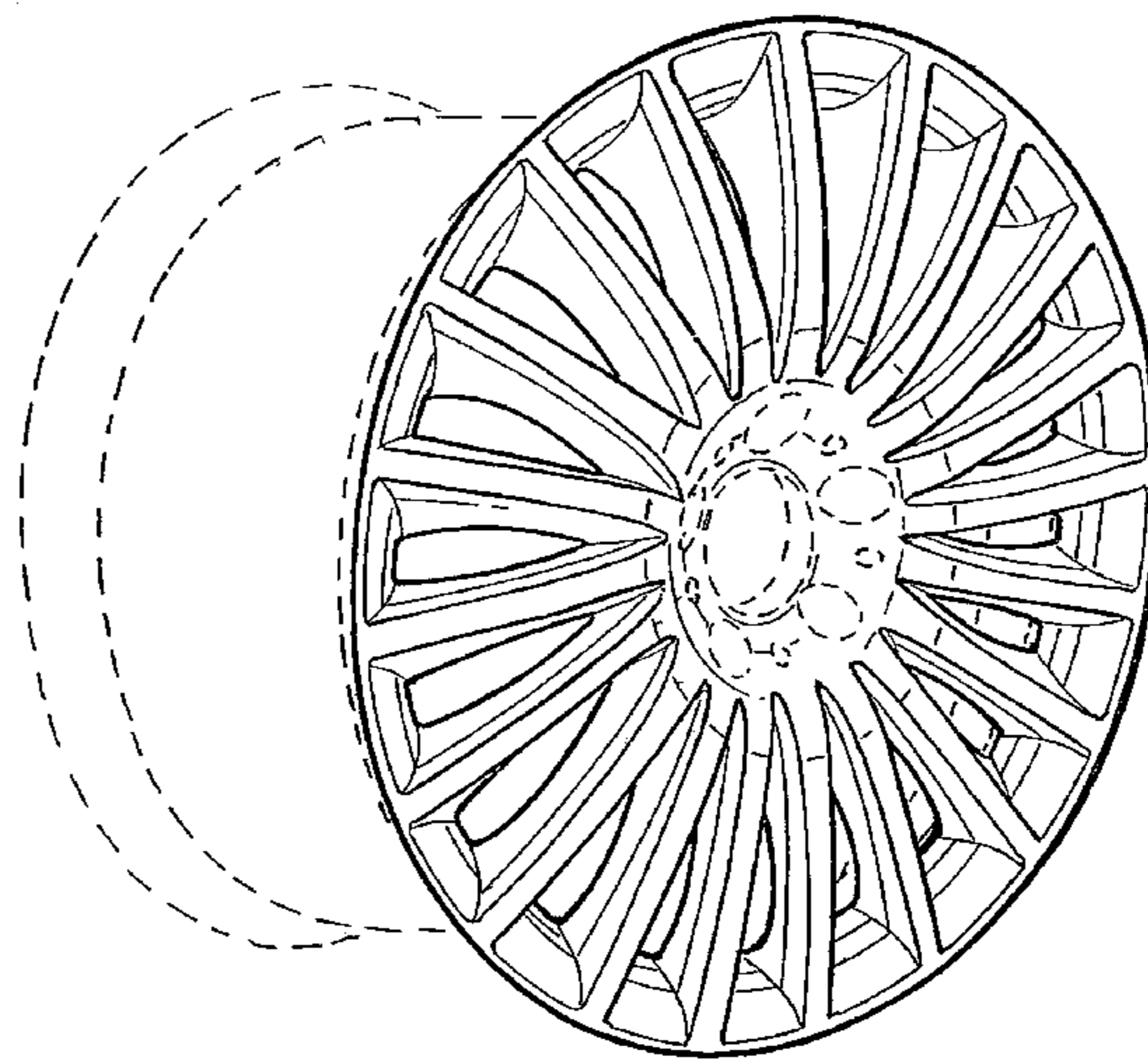
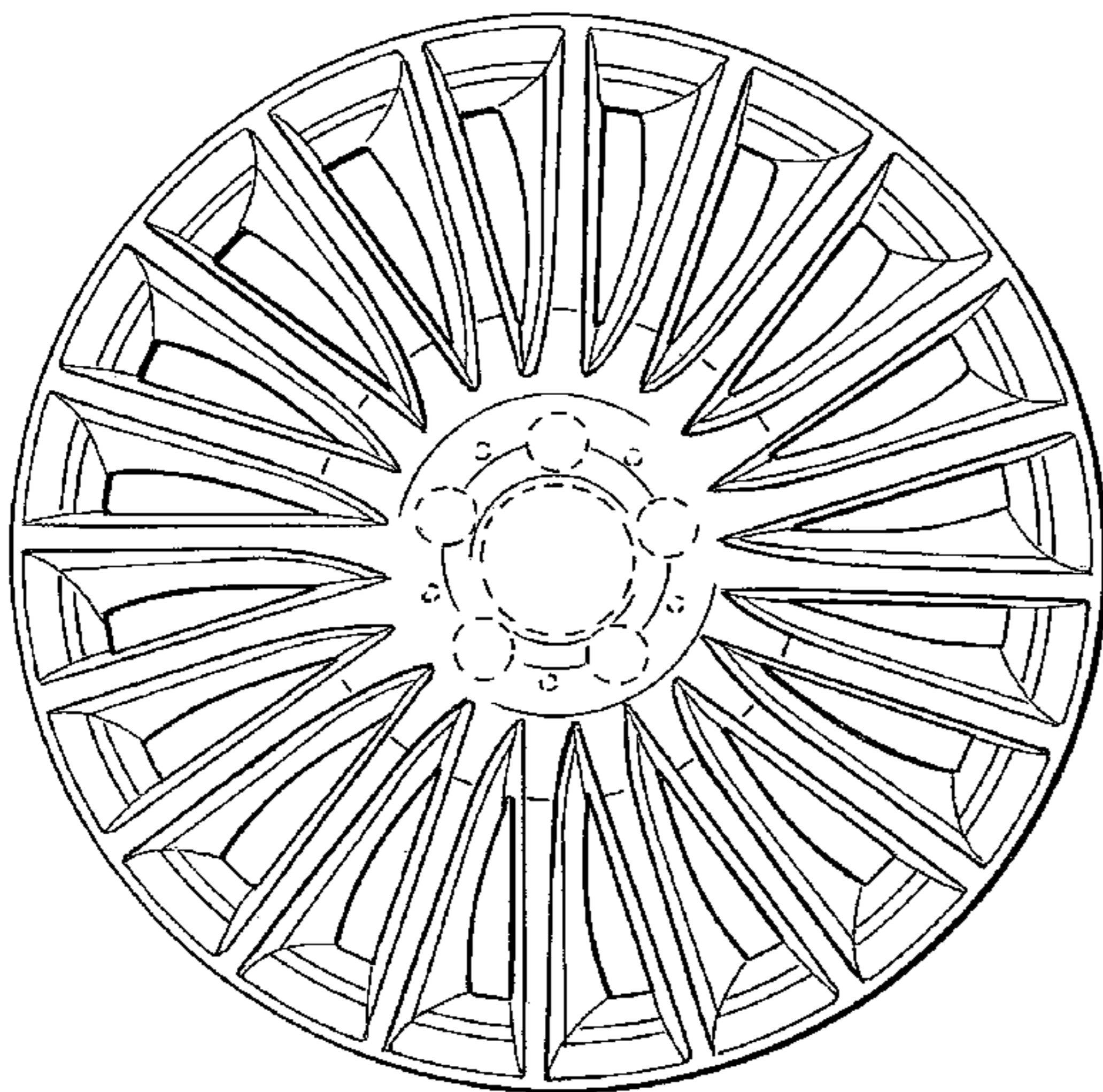
(57) **CLAIM**

The ornamental design for a wheel or wheel cover, as shown and described.

**DESCRIPTION**

FIG. 1 is a front view of a wheel or wheel cover according to my design; and, FIG. 2 is a perspective view thereof. The broken line showing of the rear of the wheel and the bolt holes and center opening in the central hub area is included for the purpose of illustrating environment and forms no part of the claimed design.

**1 Claim, 1 Drawing Sheet**



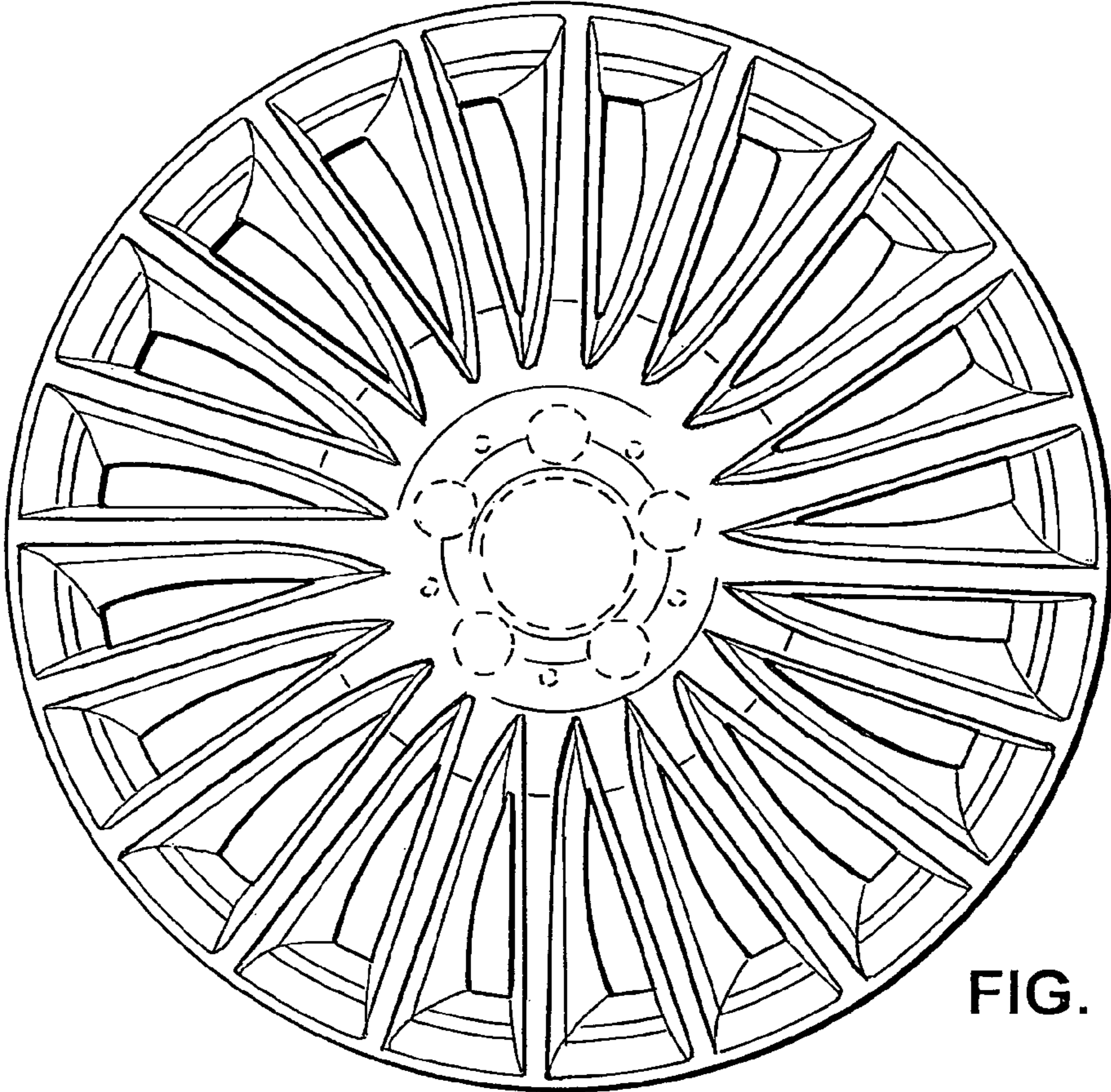


FIG. 1

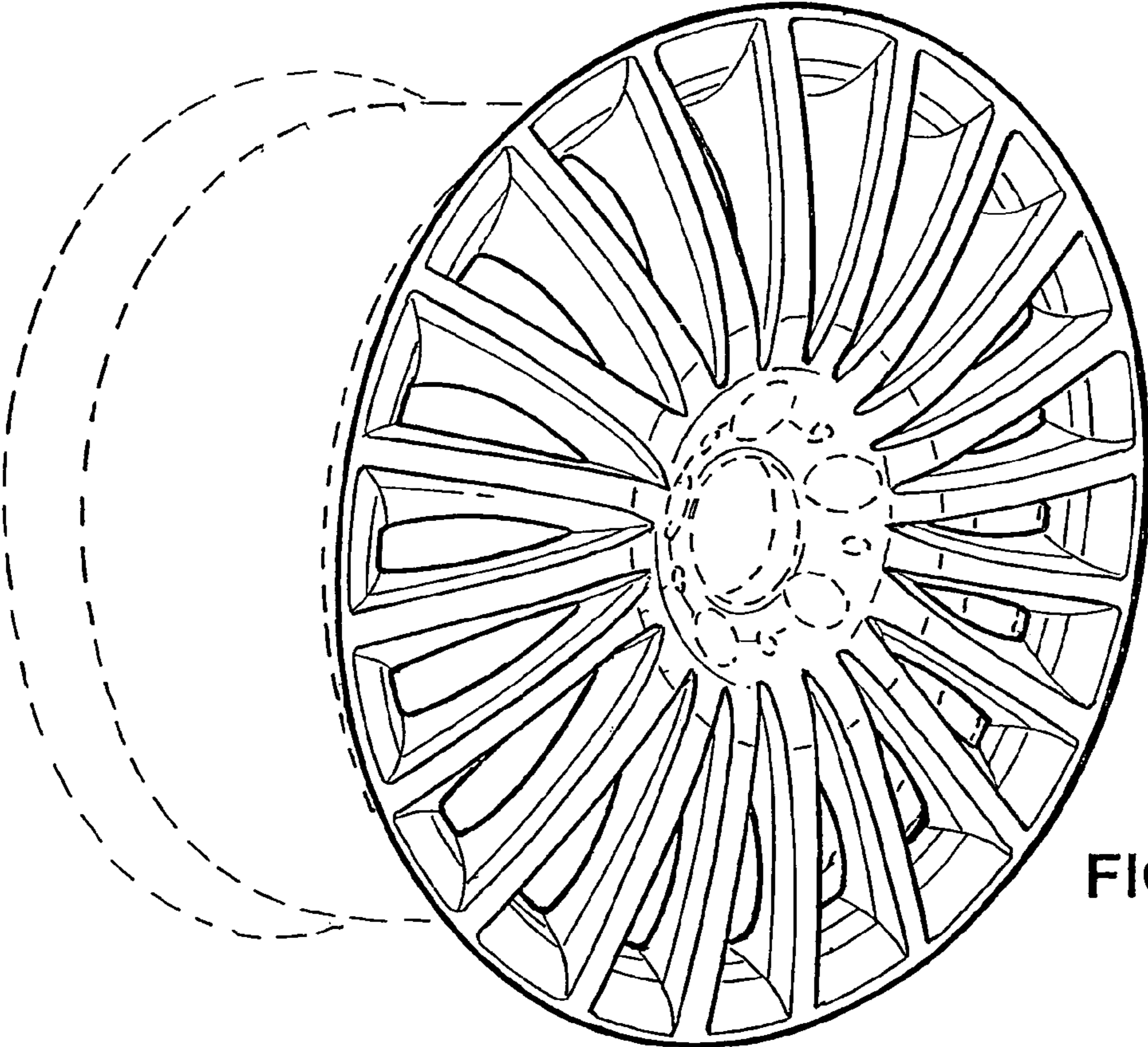


FIG. 2