



US00D706687S

(12) **United States Design Patent**
Nash et al.

(10) **Patent No.:** **US D706,687 S**
(45) **Date of Patent:** **** Jun. 10, 2014**

(54) **AIR CLEANER COVER FOR A
MOTORCYCLE**

(56) **References Cited**

(71) Applicant: **Harley-Davidson Motor Company
Group, LLC**, Milwaukee, WI (US)

(72) Inventors: **Scott J. Nash**, Muskego, WI (US);
Michael A. Protasiewicz, Waukesha, WI
(US); **Jeffrey Spraggon**, Mukwonago,
WI (US); **Richard J. Christoph**,
Minneapolis, MN (US); **Alexander J.
Bozmoski**, Brookfield, WI (US);
Andrew Massignan, Waukesha, WI
(US); **Henry C. Howell**, Oak Creek, WI
(US); **Phillip Rusch**, Brookfield, WI
(US)

U.S. PATENT DOCUMENTS

D363,259 S * 10/1995 Davidson et al. D12/126
D390,507 S * 2/1998 Hoagland, IV D12/126
D422,537 S * 4/2000 Pink D12/126
D446,753 S * 8/2001 Golden et al. D12/126
D483,274 S * 12/2003 Garcia, Jr. D10/6
D510,235 S * 10/2005 Sorensen D7/510
D510,301 S * 10/2005 Schmidt D12/126
D518,420 S * 4/2006 Schmidt D12/126

(Continued)

OTHER PUBLICATIONS

Harley-Davidson Street Glide, posted at Harley Davidson USA, post-
ing date not given, © 2014 H-D, [online], [site visited Dec. 20, 2013].
Available from Internet, <URL: [http://www.harley-davidson.com/
en_US/Motorcycles/street-glide.html](http://www.harley-davidson.com/en_US/Motorcycles/street-glide.html)>.*

(Continued)

(73) Assignee: **Harley-Davidson Motor Company
Group, LLC**, Milwaukee, WI (US)

Primary Examiner — Eric Goodman
Assistant Examiner — Ryan Harvey
(74) *Attorney, Agent, or Firm* — Michael Best & Friedrich
LLP

(**) Term: **14 Years**

(57) **CLAIM**

(21) Appl. No.: **29/448,620**

We claim the ornamental design for an air cleaner cover for a
motorcycle, as shown and described.

(22) Filed: **Mar. 13, 2013**

DESCRIPTION

(51) **LOC (10) Cl.** **12-11**

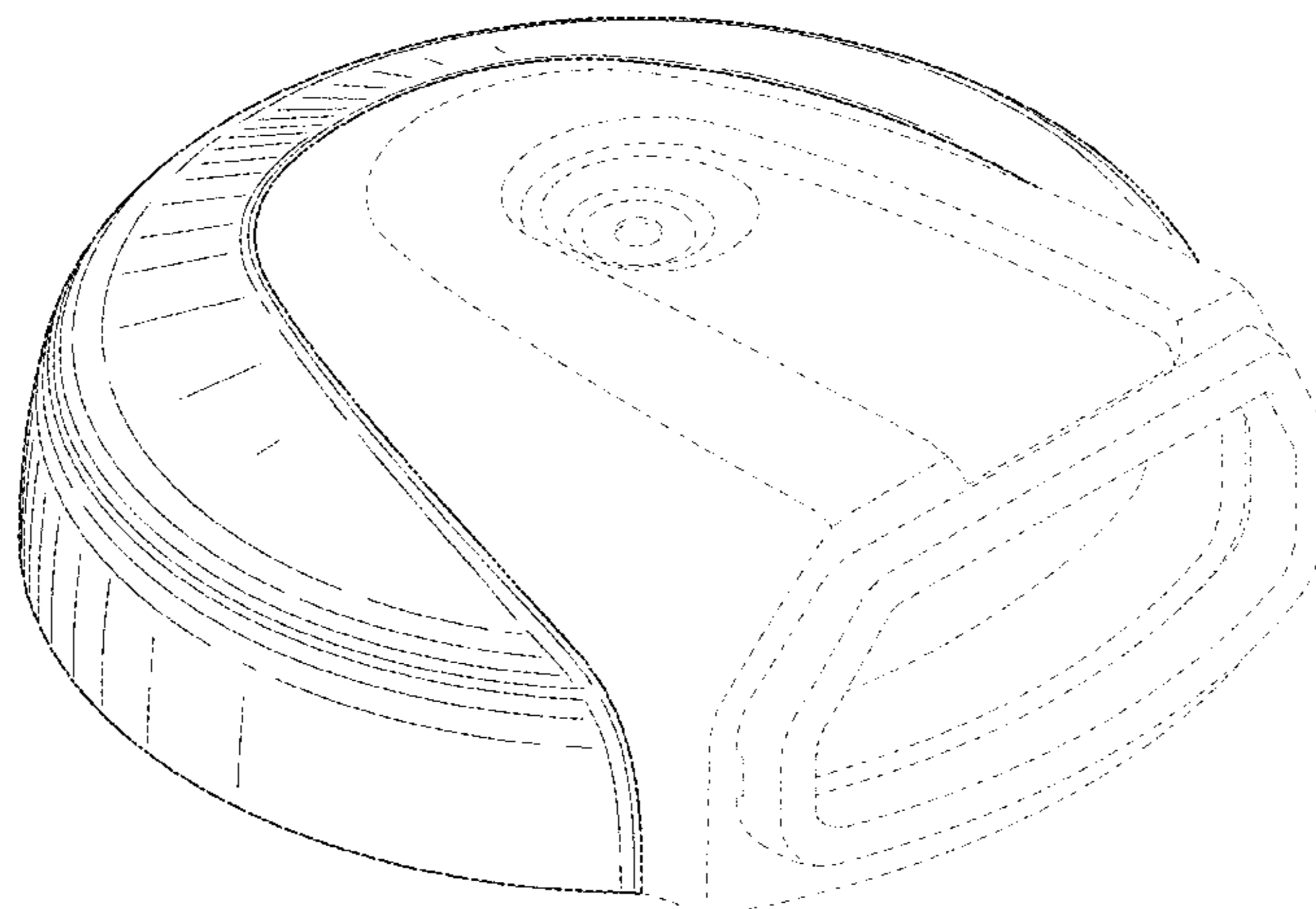
(52) **U.S. Cl.**
USPC **D12/114**

(58) **Field of Classification Search**
USPC D12/114, 126, 115, 182, 107, 117, 179,
D12/223; D10/6; D15/5; 224/420;
280/288.4, 304.3, 770, 850; D23/364,
D23/365; 123/184.21, 184.36, 198 E;
180/315

FIG. 1 is a perspective view of an air cleaner cover, embody-
ing aspects of the invention.
FIG. 2 is a right-side view of the air cleaner cover of FIG. 1.
FIG. 3 is a left-side view of the air cleaner cover of FIG. 1.
FIG. 4 is a top view of the air cleaner cover of FIG. 1.
FIG. 5 is a bottom view of the air cleaner cover of FIG. 1.
FIG. 6 is a front view of the air cleaner cover of FIG. 1; and,
FIG. 7 is a rear view of the air cleaner cover of FIG. 1.
The portions of the air cleaner cover shown in broken lines are
included for the purpose of illustrating environment and form
no part of the claimed design.

See application file for complete search history.

1 Claim, 5 Drawing Sheets



(56)

References Cited

U.S. PATENT DOCUMENTS

D522,931	S *	6/2006	Simpson	D12/126
D551,817	S *	9/2007	Scheifele et al.	D32/31
D564,420	S *	3/2008	Devlin	D12/126
D600,599	S *	9/2009	Watanabe et al.	D12/126
2008/0223327	A1 *	9/2008	Smith et al.	123/184.21
2010/0163331	A1 *	7/2010	Nakamura	180/315

OTHER PUBLICATIONS

Harley-Davidson Street Glide Special, posted at Harley Davidson USA, posting date not given, © 2014 H-D, [online], [site visited Dec. 20, 2013]. Available from Internet, <URL: http://www.harley-davidson.com/en_US/Motorcycles/street-glide-special.html>.*

Harley-Davidson Tri Glide Ultra, posted at Harley Davidson USA, posting date not given, © 2014 H-D, [online], [site visited Dec. 20, 2013]. Available from Internet, <URL: http://www.harley-davidson.com/en_US/Motorcycles/tri-glide-ultra.html>.*

Harley-Davidson Electra Glide Ultra Classic, posted at Harley Davidson USA, posting date not given, © 2014 H-D, [online], [site visited Dec. 20, 2013]. Available from Internet, <URL: http://www.harley-davidson.com/en_US/Motorcycles/electra-glide-ultra-classic.html>.*

Harley-Davidson Road King, posted at Harley Davidson USA, posting date not given, © 2014 H-D, [online], [site visited Dec. 20, 2013]. Available from Internet, <URL: http://www.harley-davidson.com/en_US/Motorcycles/road-king.html>.*

Harley-Davidson Ultra Limited, posted at Harley Davidson USA, posting date not given, © 2014 H-D, [online], [site visited Dec. 20, 2013]. Available from Internet, <URL: http://www.harley-davidson.com/en_US/Motorcycles/electra-glide-ultra-limited.html>.*

Harley Davidson Motor Company, Bobber-Style Round Air Cleaner Cover, Part No. 61300120, Publicly available on or before Mar. 12, 2012.

Harley Davidson Motor Company, Smooth Air Cleaner Cover, Part No. 29153-07, Publicly available on or before Mar. 12, 2012.

Harley Davidson Motor Company, Forged Billet Air Cleaner Cover, Part No. 29506-09, Publicly available on or before Mar. 12, 2012.

Harley Davidson Motor Company, Screamin' Eagle Ventilator Performance Air Cleaner Kit, Part No. 29915-09, Publicly available on or before Mar. 12, 2012.

Harley Davidson Motor Company, Air Cleaner Cover, Part No. 29754-01, Publicly available on or before Mar. 12, 2012.

Harley Davidson Motor Company, Instructions—J03097, Sportster Ribbed Air Cleaner Cover Kit No. 29837-04, dated Jan. 1, 2004, 2 pages.

Co-pending U.S. Appl. No. 29/448,627, filed Mar. 13, 2013.

* cited by examiner

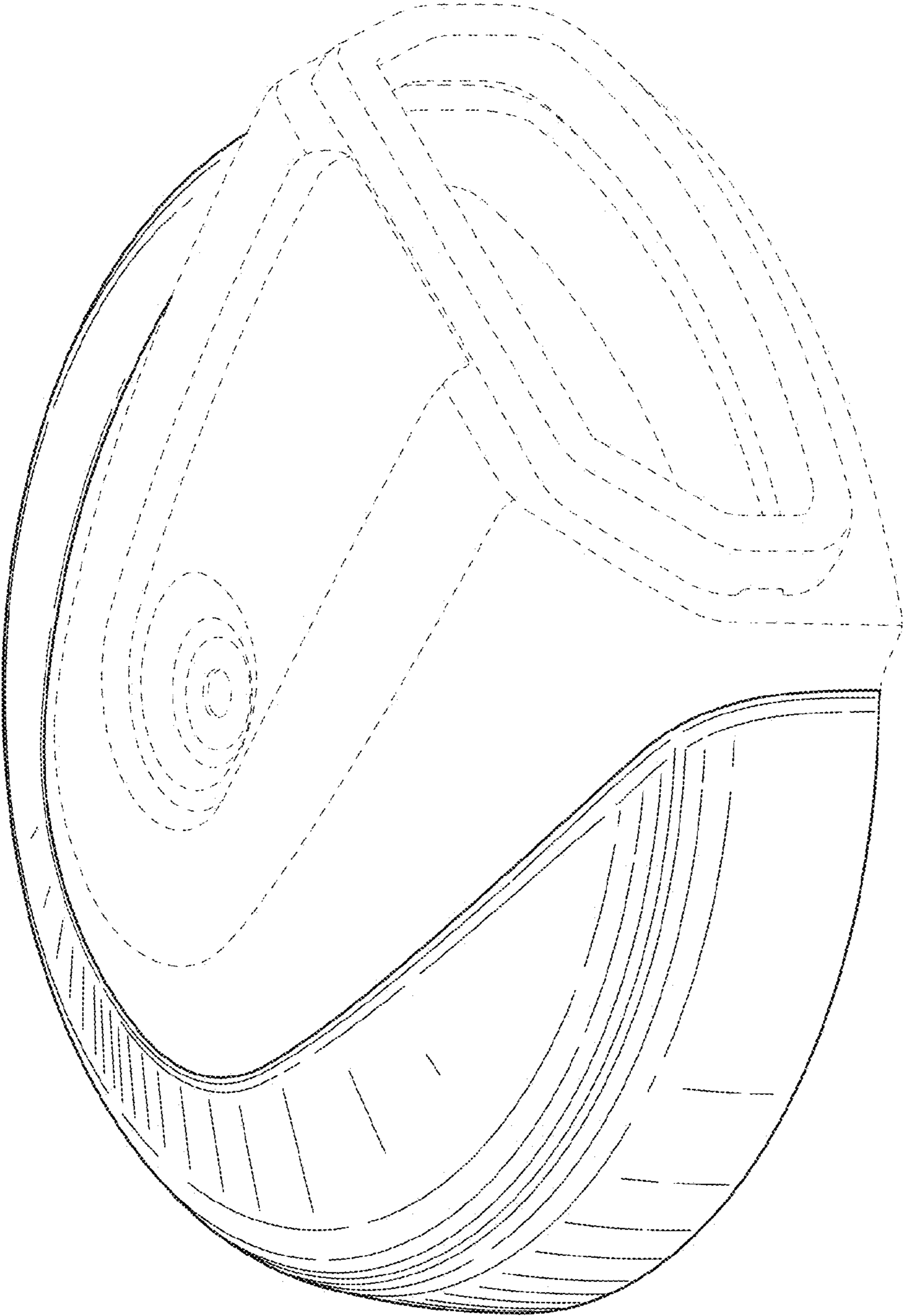


FIG. 1

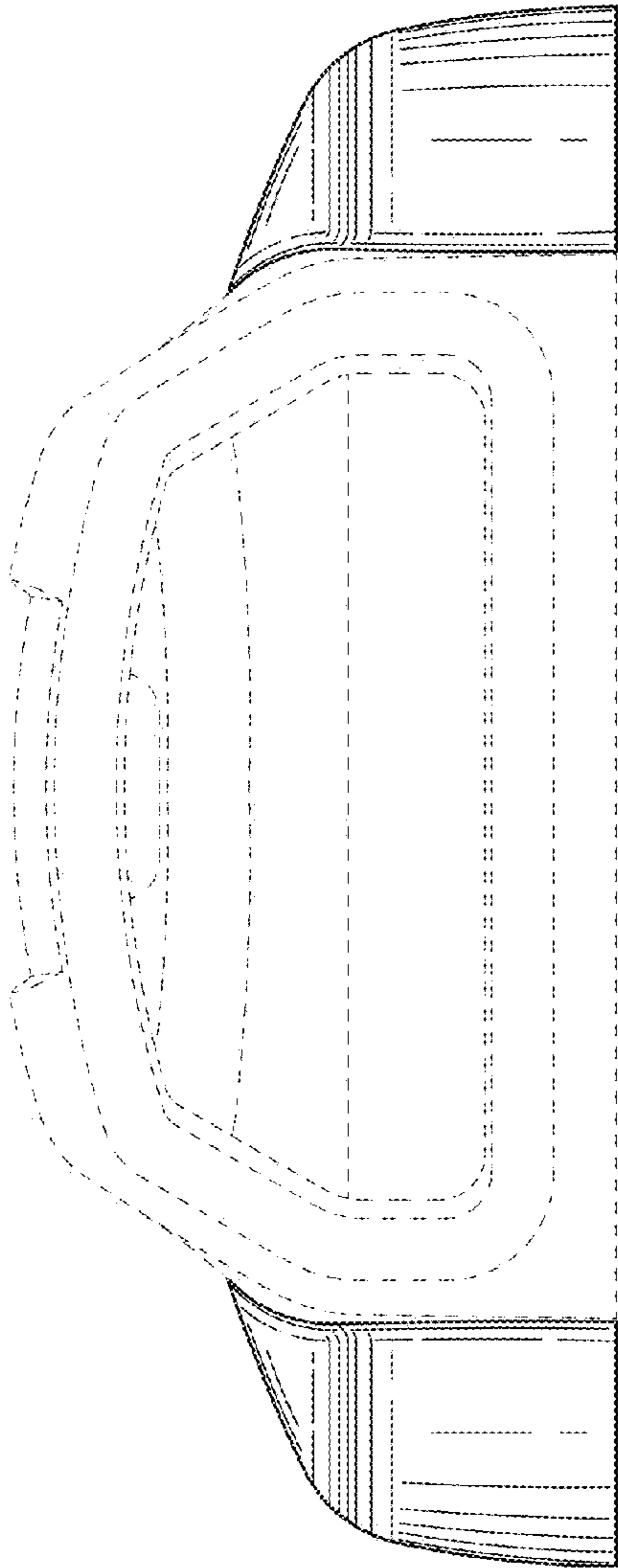


FIG. 2

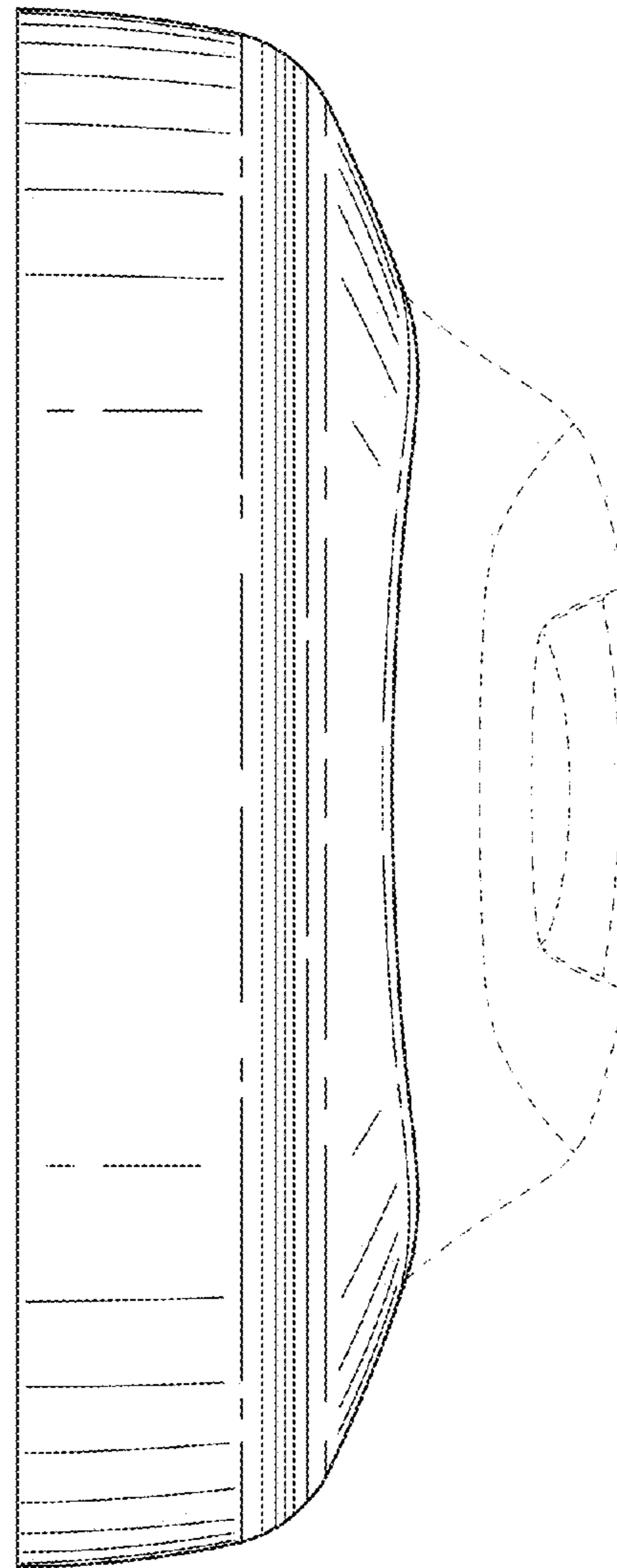


FIG. 3

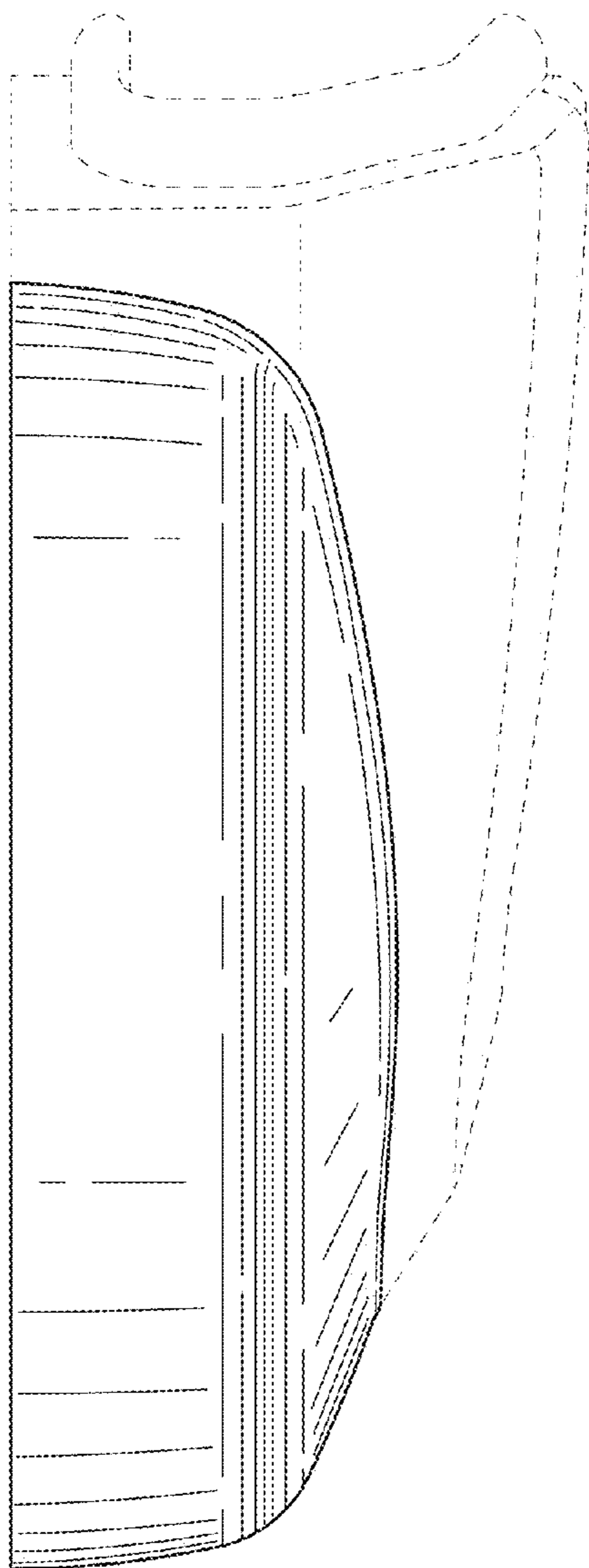


FIG. 4

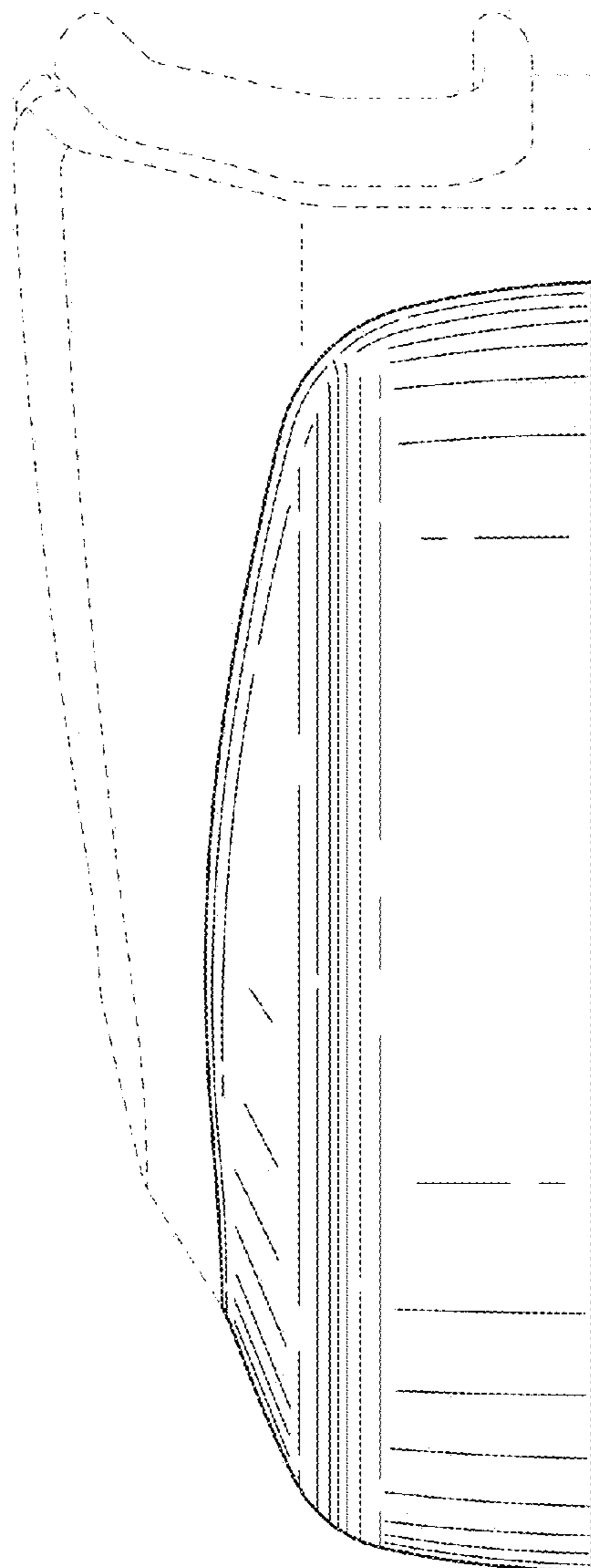


FIG. 5

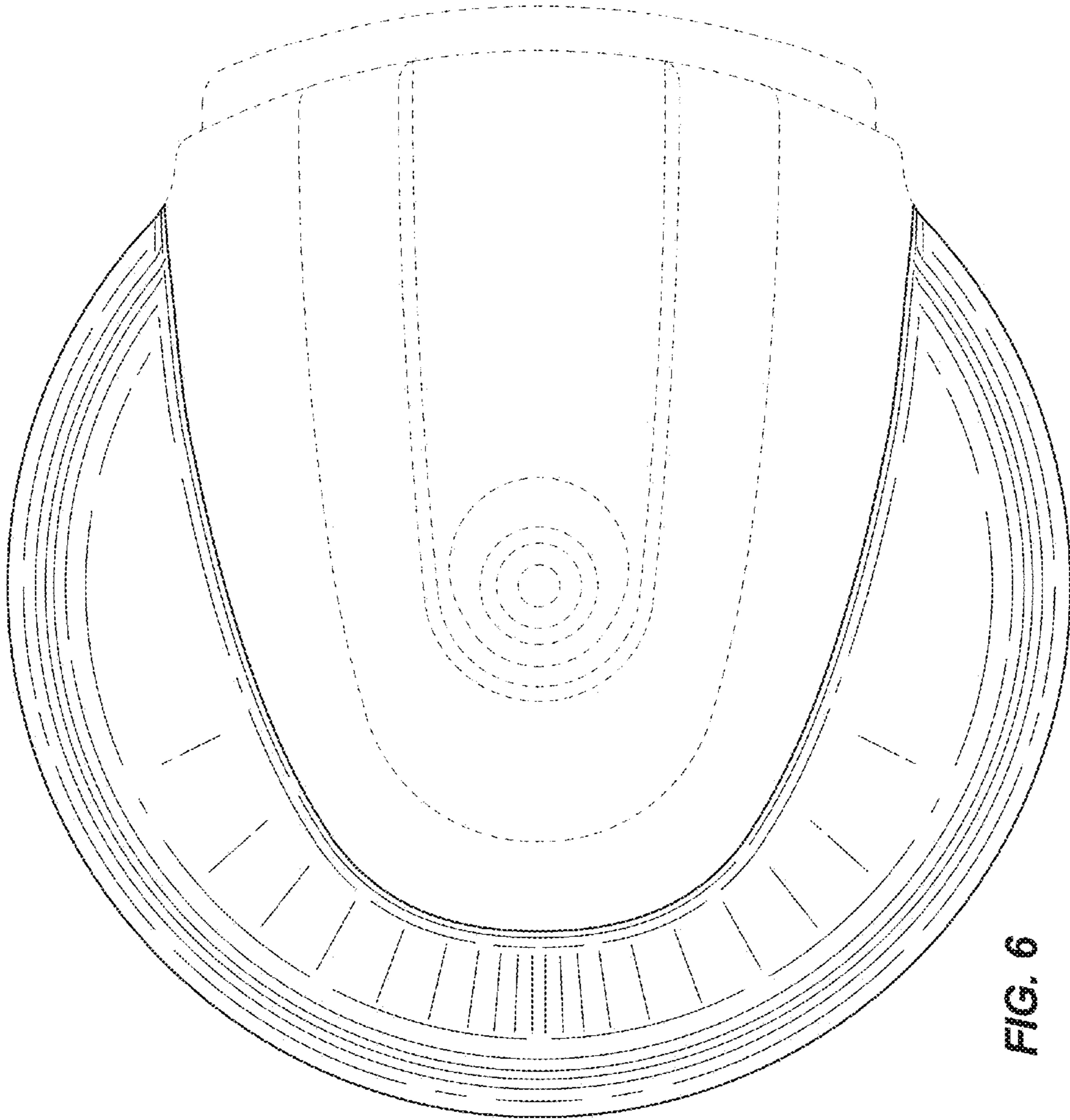


FIG. 6

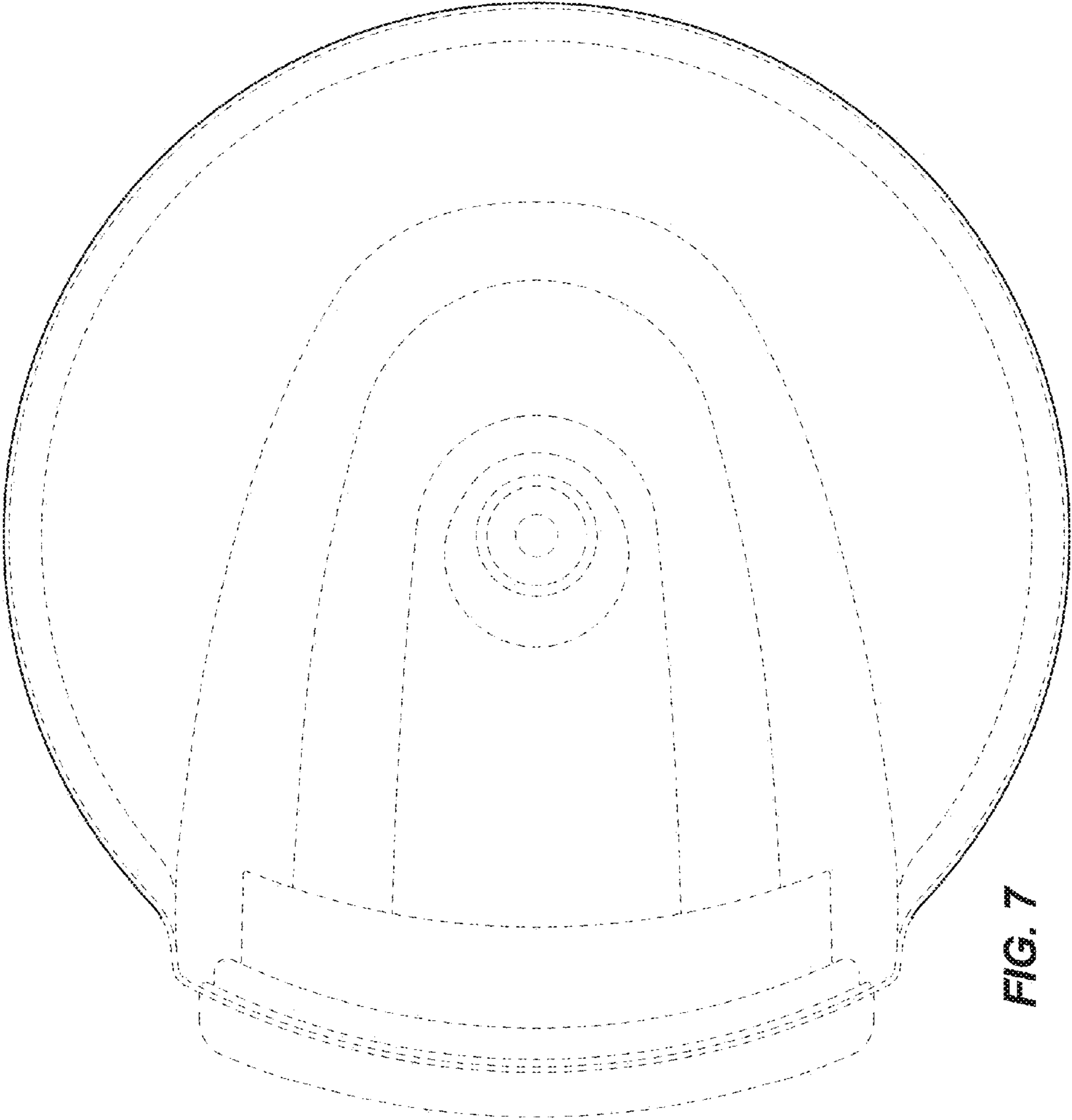


FIG. 7

UNITED STATES PATENT AND TRADEMARK OFFICE
CERTIFICATE OF CORRECTION

PATENT NO. : D706,687 S
APPLICATION NO. : 29/448620
DATED : June 10, 2014
INVENTOR(S) : Scott J. Nash et al.

Page 1 of 1

It is certified that error appears in the above-identified patent and that said Letters Patent is hereby corrected as shown below:

On the title page, (75) Inventors, please change name of the second inventor from “Michael A. Protasiewicz” to “Michael E. Protasiewicz”.

Signed and Sealed this
Thirtieth Day of September, 2014



Michelle K. Lee
Deputy Director of the United States Patent and Trademark Office