



US00D706686S

(12) **United States Design Patent**
Guetersloh

(10) **Patent No.:** **US D706,686 S**

(45) **Date of Patent:** **** Jun. 10, 2014**

(54) **BOAT RAMP BUDDY**

(71) Applicant: **Charles Guetersloh**, Murphysboro, IL
(US)

(72) Inventor: **Charles Guetersloh**, Murphysboro, IL
(US)

(**) Term: **14 Years**

(21) Appl. No.: **29/468,977**

(22) Filed: **Oct. 4, 2013**

Related U.S. Application Data

(63) Continuation-in-part of application No. 13/458,688,
filed on Apr. 27, 2012.

(51) **LOC (10) Cl.** **12-10**

(52) **U.S. Cl.**
USPC **D12/106**

(58) **Field of Classification Search**
USPC D12/106, 19, 129, 100-105, 111-112;
D21/425, 435; D34/21-26, 12, 16-19;
280/204, 205, 63, 475, 482, 647;
296/168, 180, 180.02, 61, 10,
296/100.01-100.08

See application file for complete search history.

(56) **References Cited**

U.S. PATENT DOCUMENTS

7,789,453	B2 *	9/2010	Roush et al.	296/180.1
8,210,599	B2 *	7/2012	Butler	296/180.1
8,276,972	B2 *	10/2012	Domo et al.	296/180.1
8,322,778	B1 *	12/2012	Pfaff	296/180.4
8,376,450	B1 *	2/2013	Long et al.	296/180.4
2005/0161976	A1 *	7/2005	Ortega et al.	296/180.4
2008/0296930	A1 *	12/2008	Roush et al.	296/180.4
2011/0285167	A1 *	11/2011	Butler	296/180.1

* cited by examiner

Primary Examiner — Katrina A Betton

(74) *Attorney, Agent, or Firm* — Julie A. Tennyson

(57) **CLAIM**

I claim the ornamental design for boat ramp buddy, as shown and described.

DESCRIPTION

FIG. 1 is an isometric view of the side, top, and back of the invention

FIG. 2 is a side view.

FIG. 3 is the other side view.

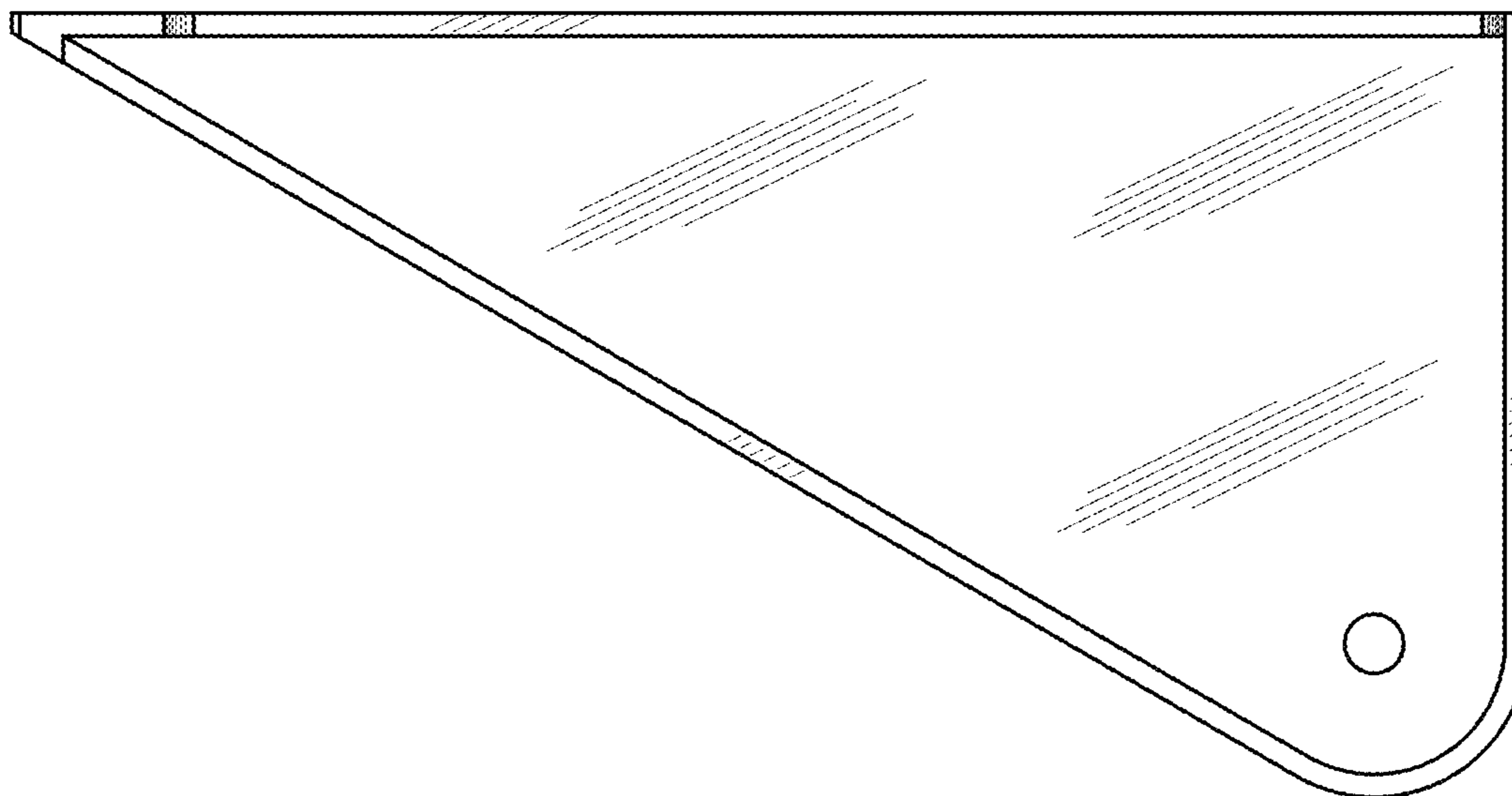
FIG. 4 is a top view.

FIG. 5 is a bottom view.

FIG. 6 is a back view; and,

FIG. 7 is a front view.

1 Claim, 7 Drawing Sheets



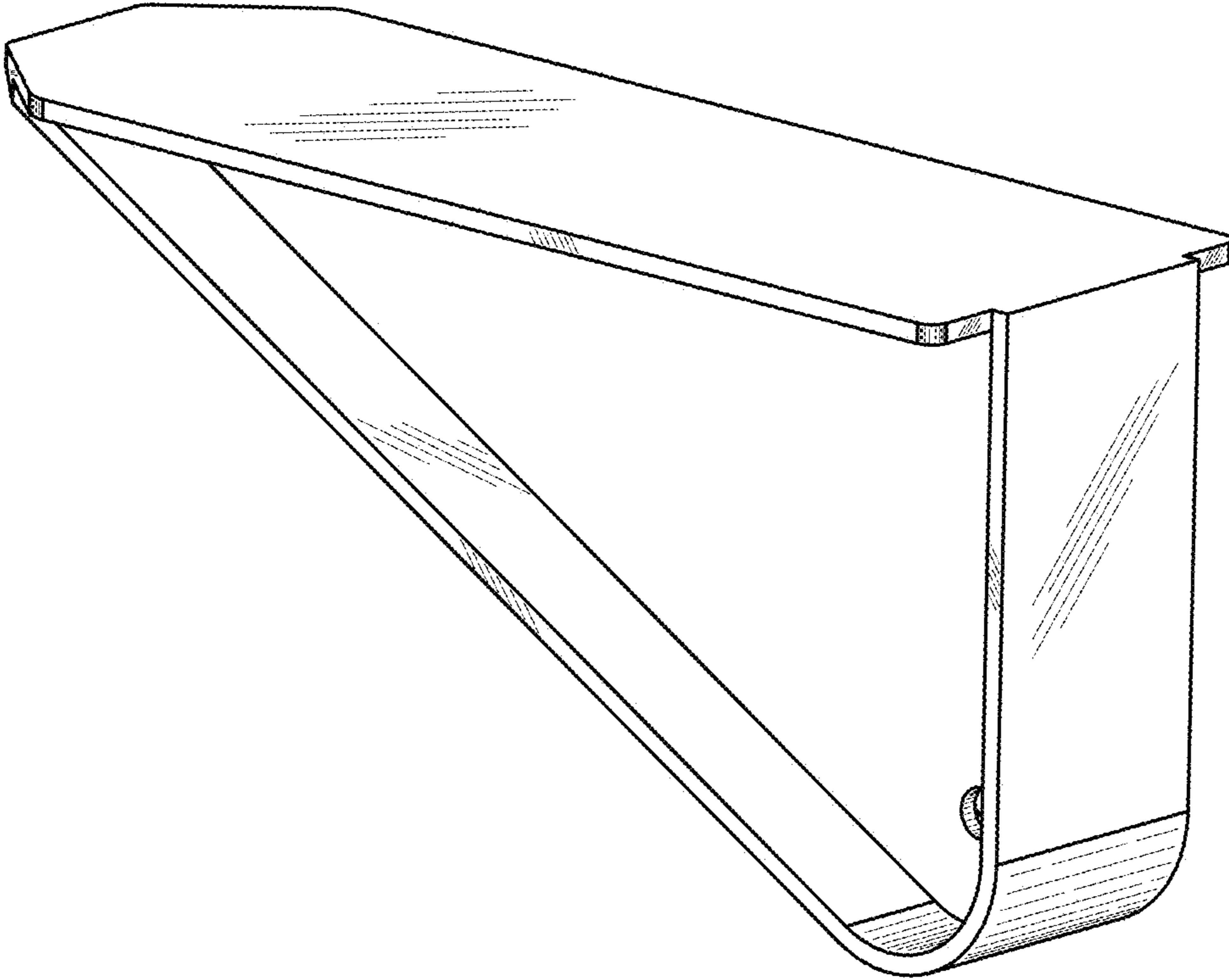


Fig. 1

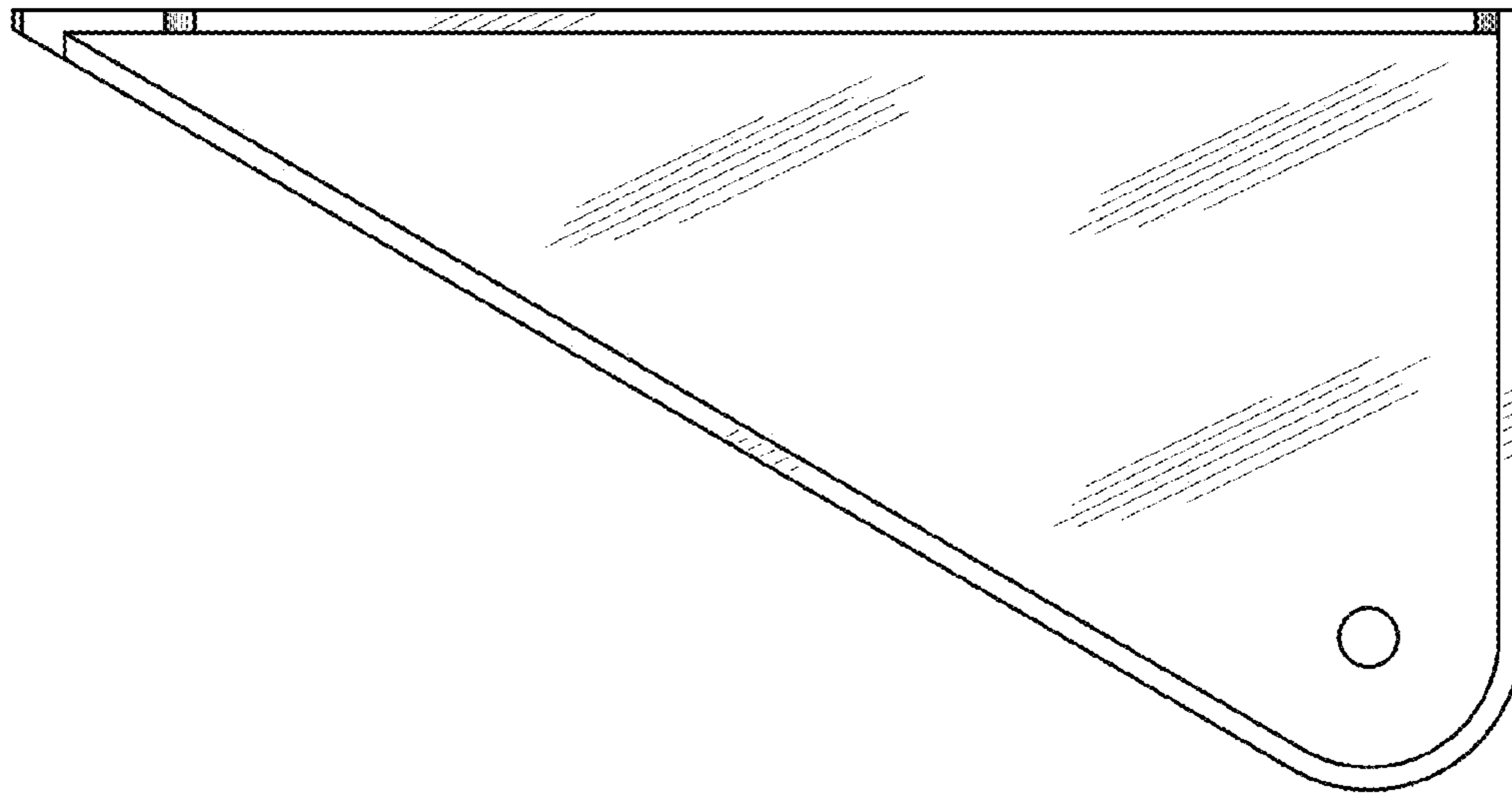


Fig. 2

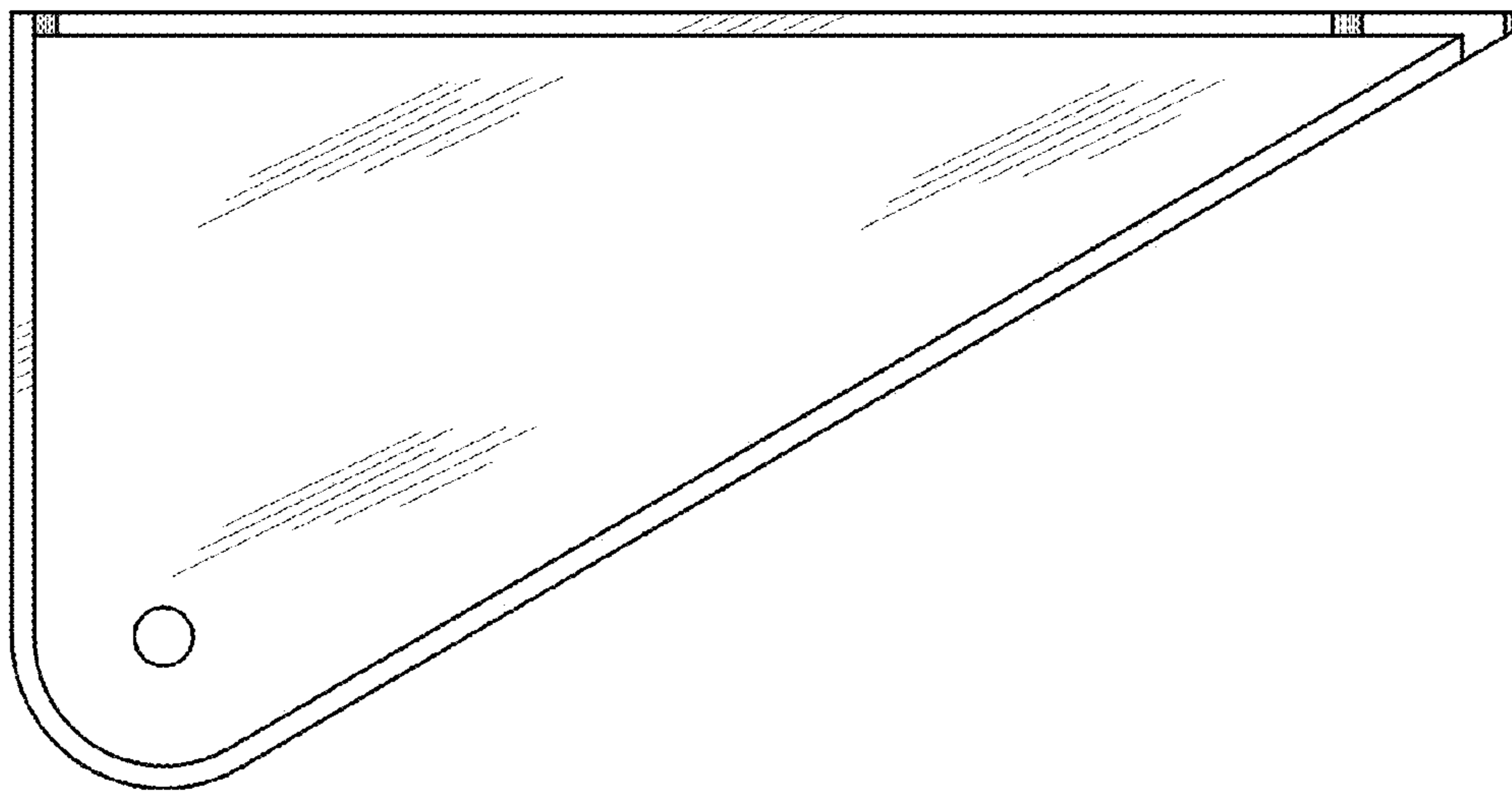


Fig. 3

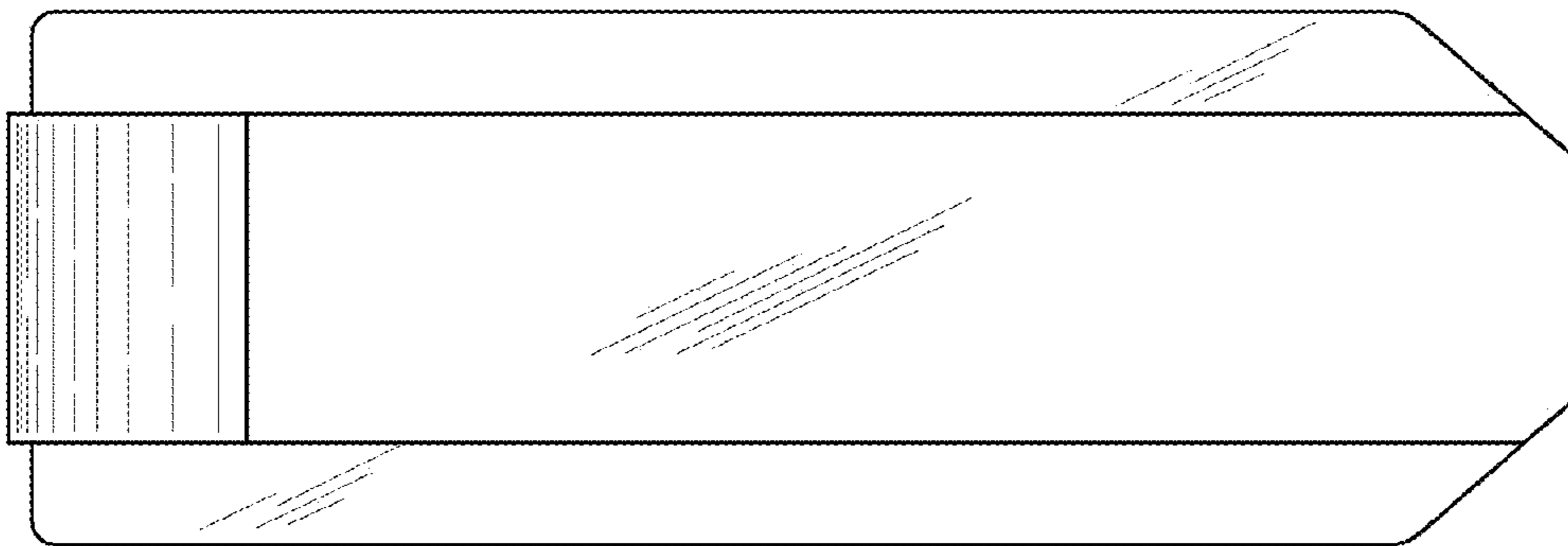


Fig. 4

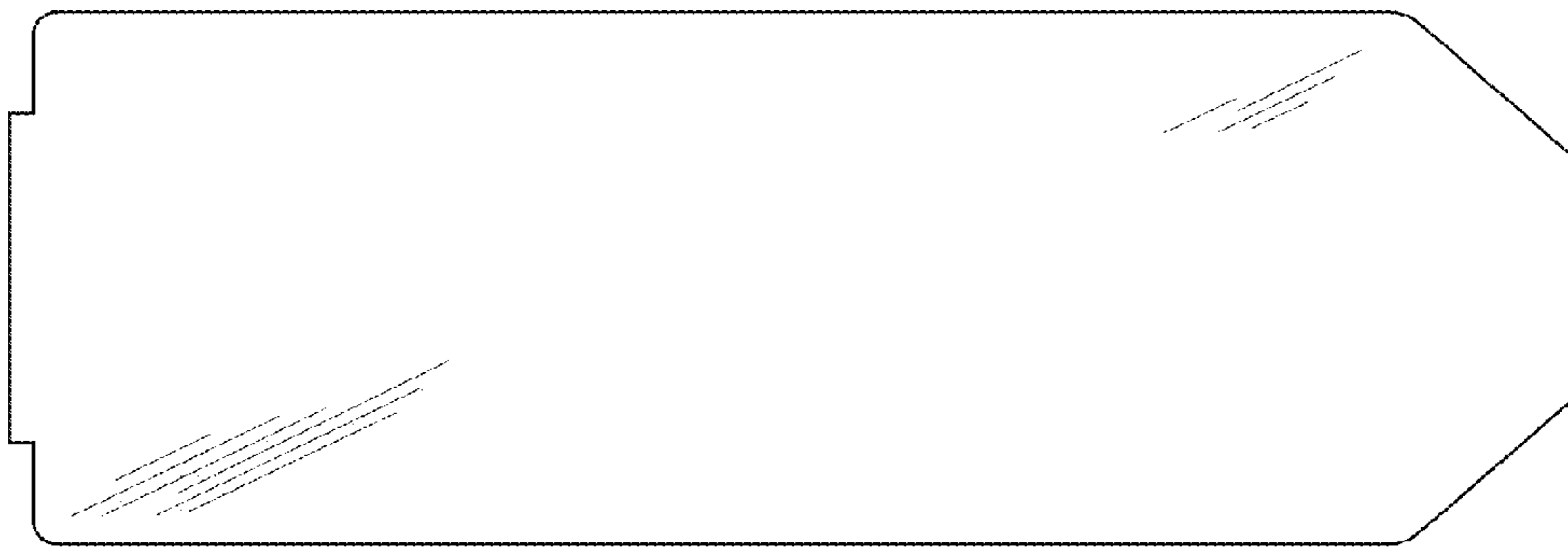


Fig. 5

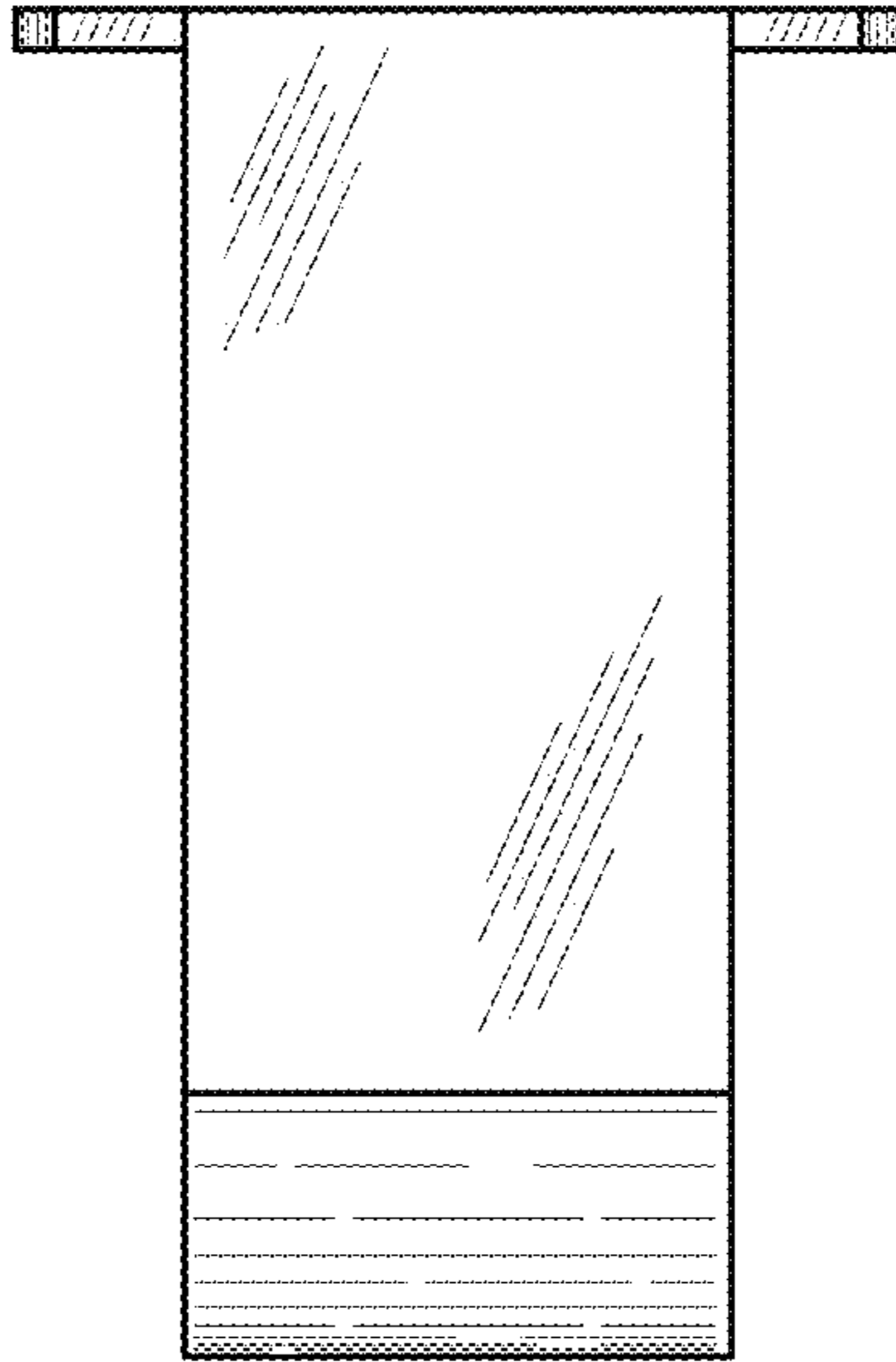


Fig. 6

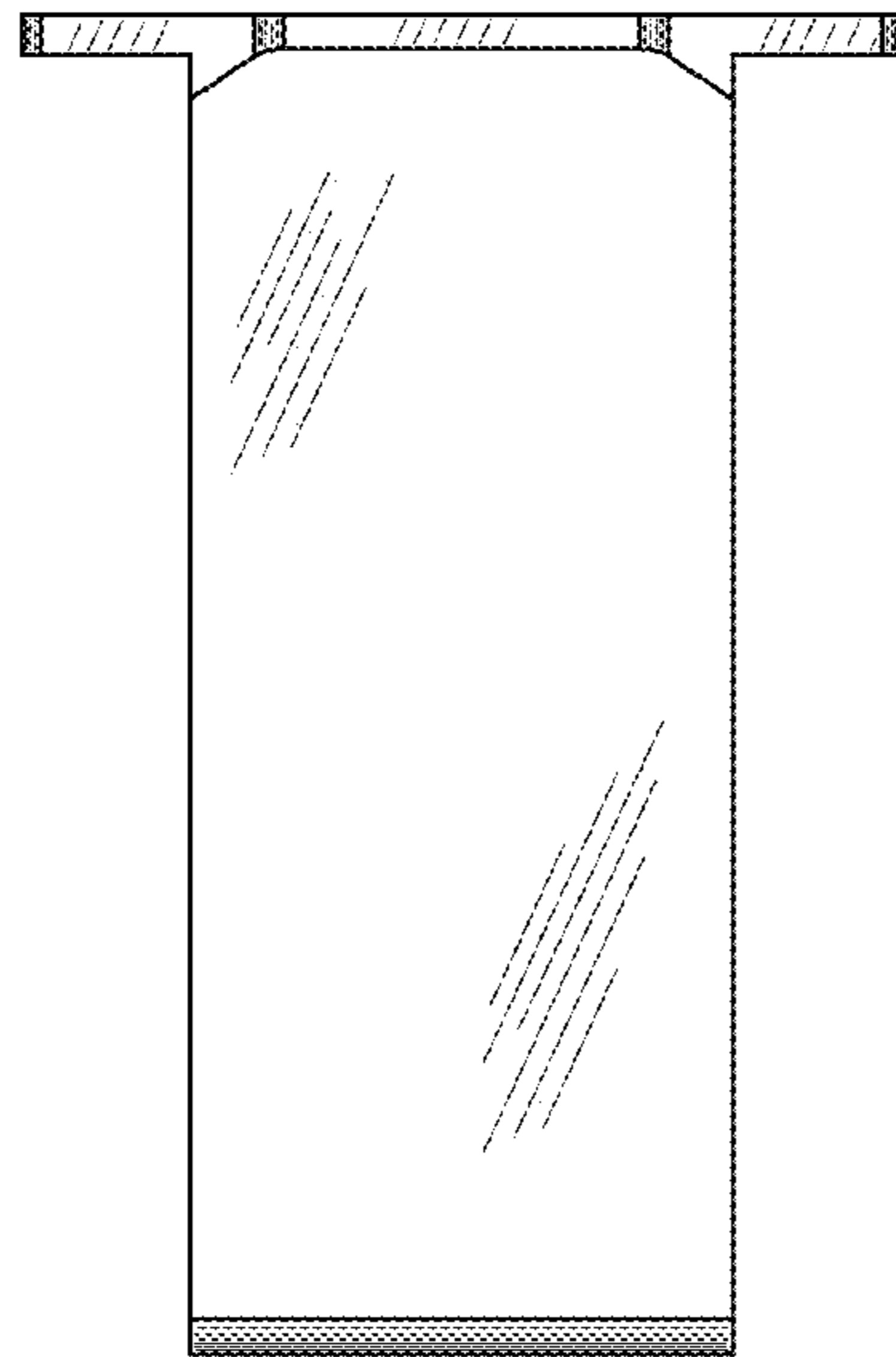


Fig. 7