

US00D706685S

(12) **United States Design Patent**
Collins

(10) **Patent No.:** **US D706,685 S**

(45) **Date of Patent:** **** Jun. 10, 2014**

(54) **VEHICLE SHADE DEVICE**

(71) Applicant: **Zionic Management, Inc.**, Henderson,
NV (US)

(72) Inventor: **Chadd Collins**, Daytona Beach, FL (US)

(73) Assignee: **Zionic Management, Inc.**, Henderson,
NV (US)

(**) Term: **14 Years**

(21) Appl. No.: **29/457,856**

(22) Filed: **Jun. 13, 2013**

(51) **LOC (10) Cl.** **12-10**

(52) **U.S. Cl.**
USPC **D12/106**

(58) **Field of Classification Search**
USPC D12/106, 19, 129, 100-105, 111-112;
D21/425, 435; D34/21-26, 12, 16-19;
280/204, 205, 63, 475, 482, 647;
296/168, 180, 180.02, 61, 10,
296/100.01-100.08
See application file for complete search history.

(56) **References Cited**

U.S. PATENT DOCUMENTS

2,948,288	A	*	8/1960	Nelson	135/88.1
D369,329	S	*	4/1996	Harris et al.	D12/106
D378,137	S	*	2/1997	Gregoire	D25/56
D409,762	S	*	5/1999	Blessing	D25/56

D435,669	S	*	12/2000	Kieffer	D25/56
D436,669	S	*	1/2001	Kieffer	D25/56
D449,115	S	*	10/2001	Harris et al.	D25/56
D461,259	S	*	8/2002	Meiner	D25/139
D537,170	S	*	2/2007	Takeuchi et al.	D25/56
D537,532	S	*	2/2007	Takeuchi et al.	D25/56
D595,865	S	*	7/2009	Magnusson	D25/56
D622,871	S	*	8/2010	Rowlinson	D25/56
D624,665	S	*	9/2010	Rowlinson	D25/56

* cited by examiner

Primary Examiner — Katrina A Betton

(74) *Attorney, Agent, or Firm* — Allen, Dyer, Doppelt,
Milbrath & Gilchrist, P.A.

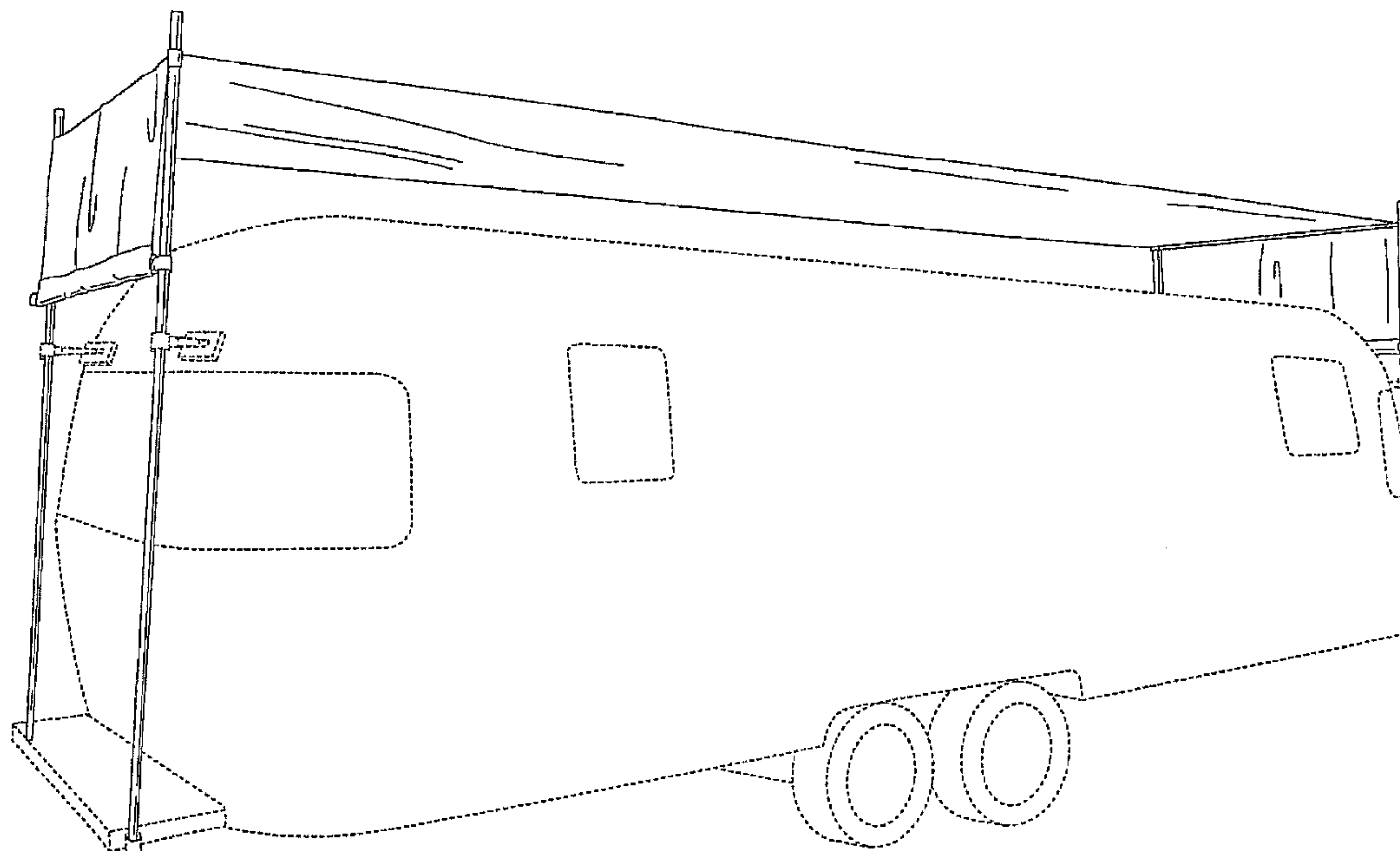
(57) **CLAIM**

The ornamental design for a vehicle shade device, as shown
and described.

DESCRIPTION

FIG. 1 is a perspective side view thereof;
FIG. 2 is a perspective top view thereof;
FIG. 3 is a right-side view thereof;
FIG. 4 is a left-side view thereof;
FIG. 5 is a front view thereof;
FIG. 6 is a rear view thereof;
FIG. 7 is a top view thereof; and,
FIG. 8 is a bottom view thereof.
The broken line showing of environmental structures is for
illustrative purposes only and forms no part of the claimed
design.

1 Claim, 7 Drawing Sheets



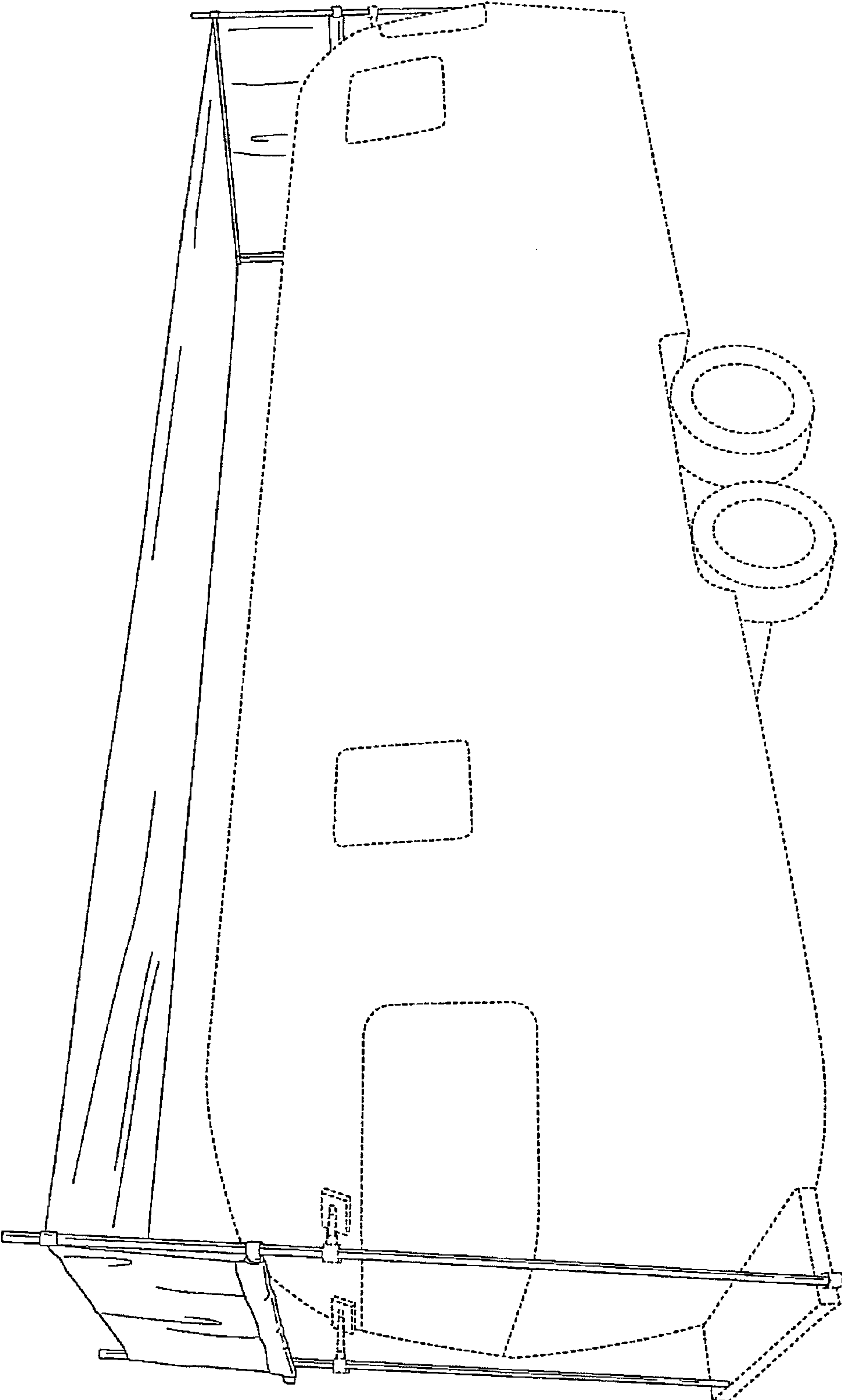


FIG. 1

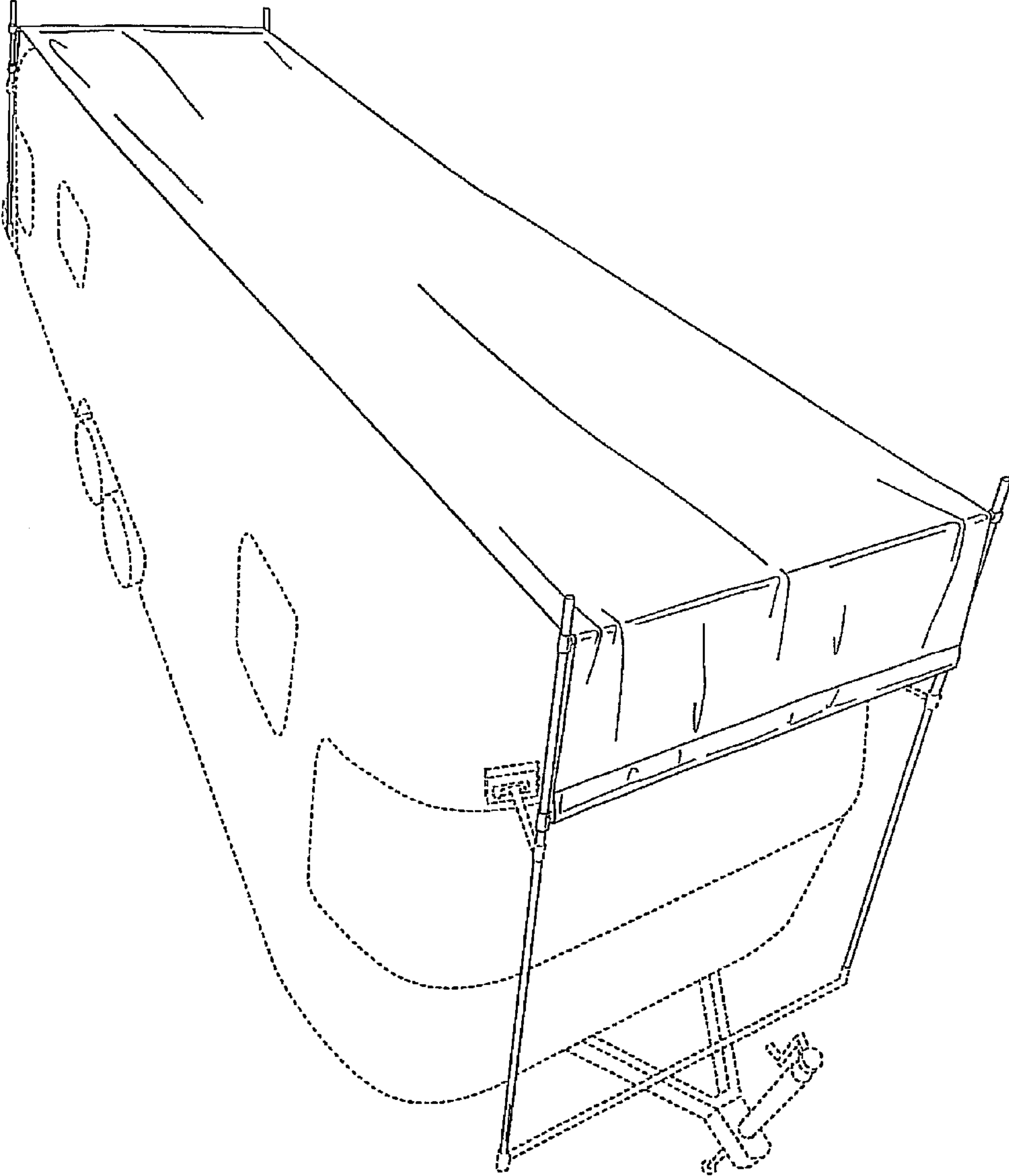


FIG. 2

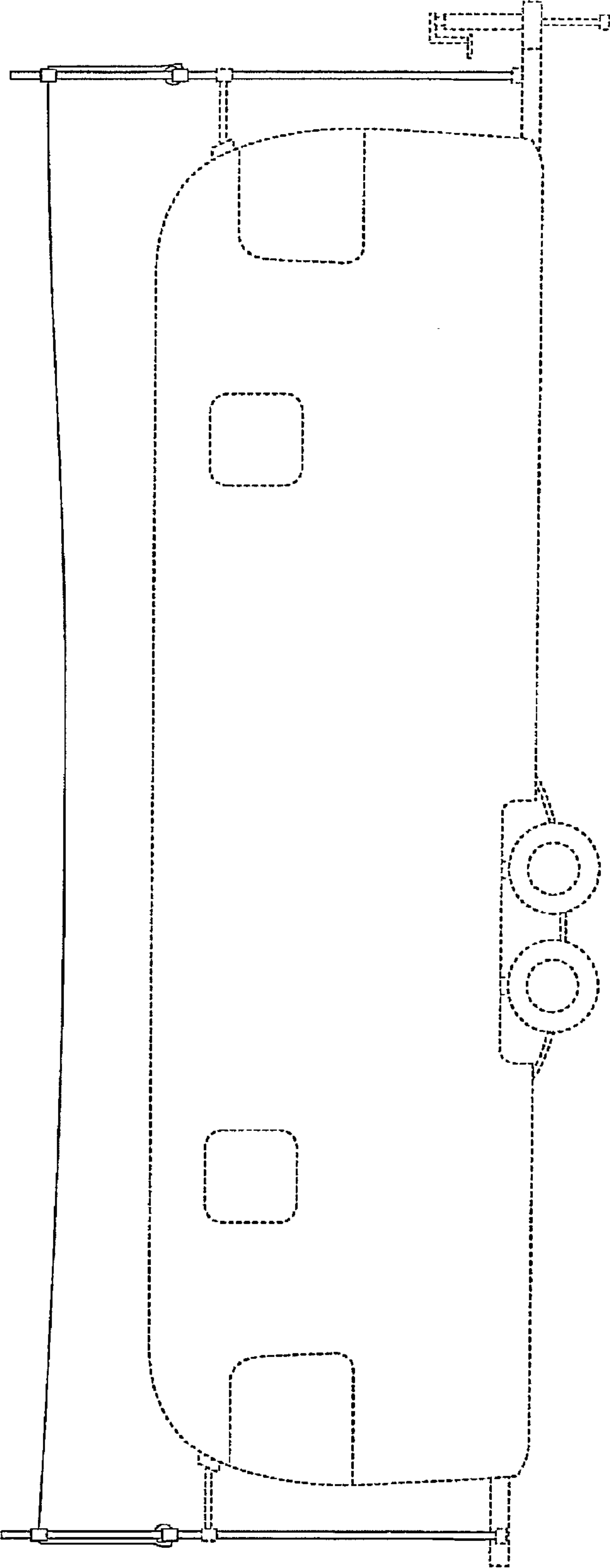


FIG. 3

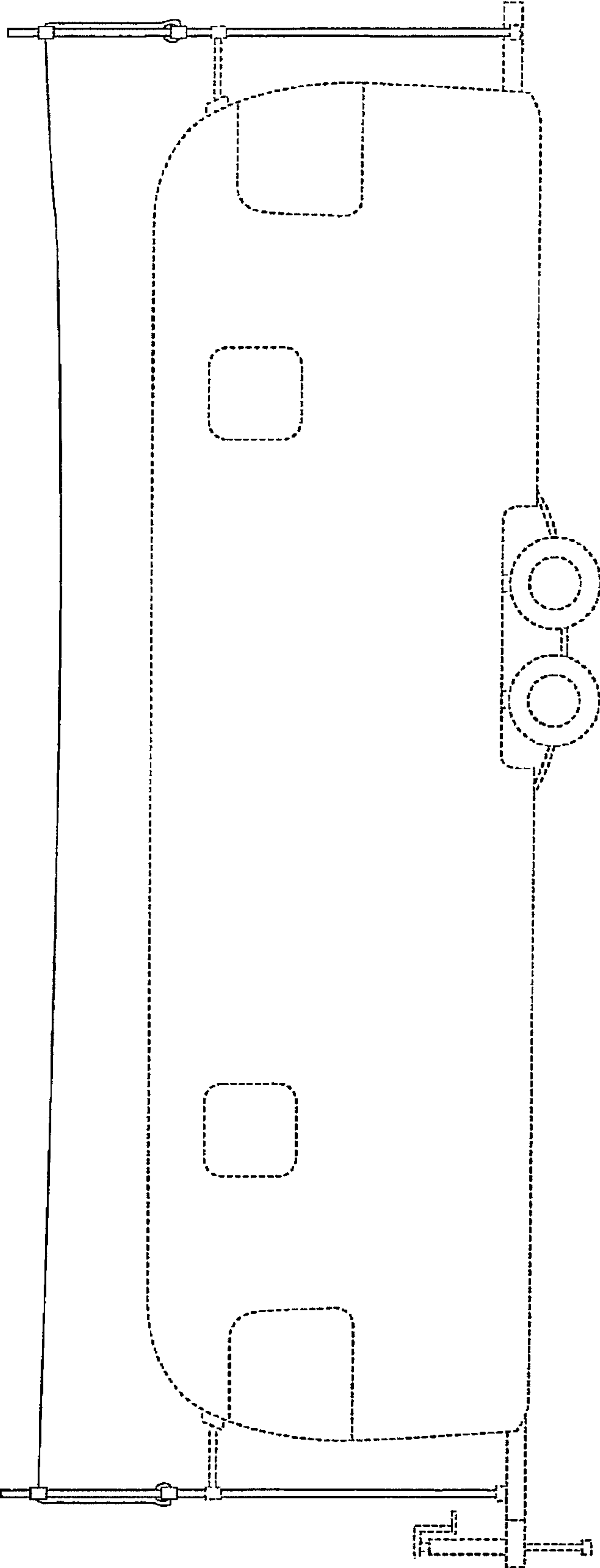


FIG. 4

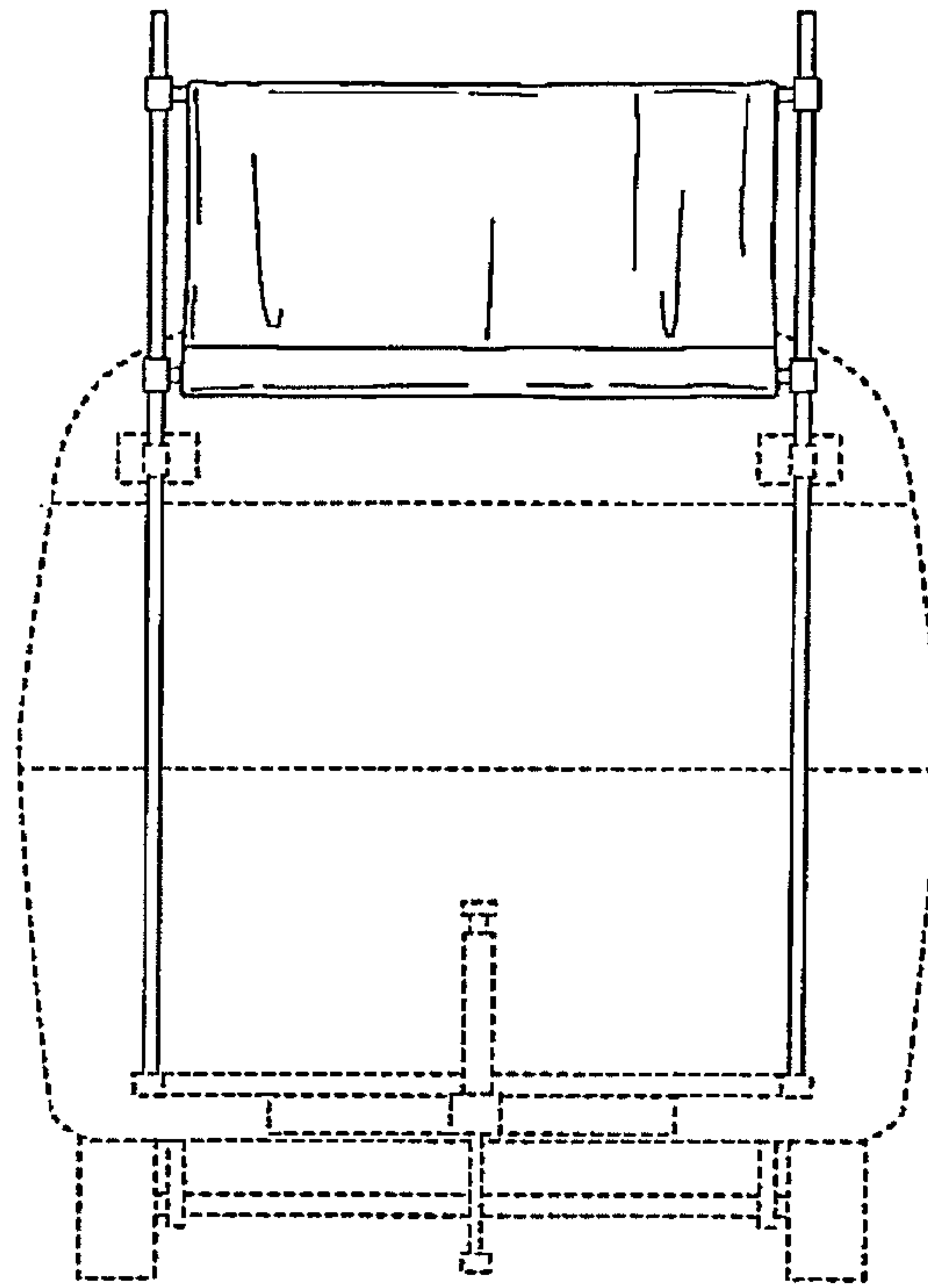


FIG. 5

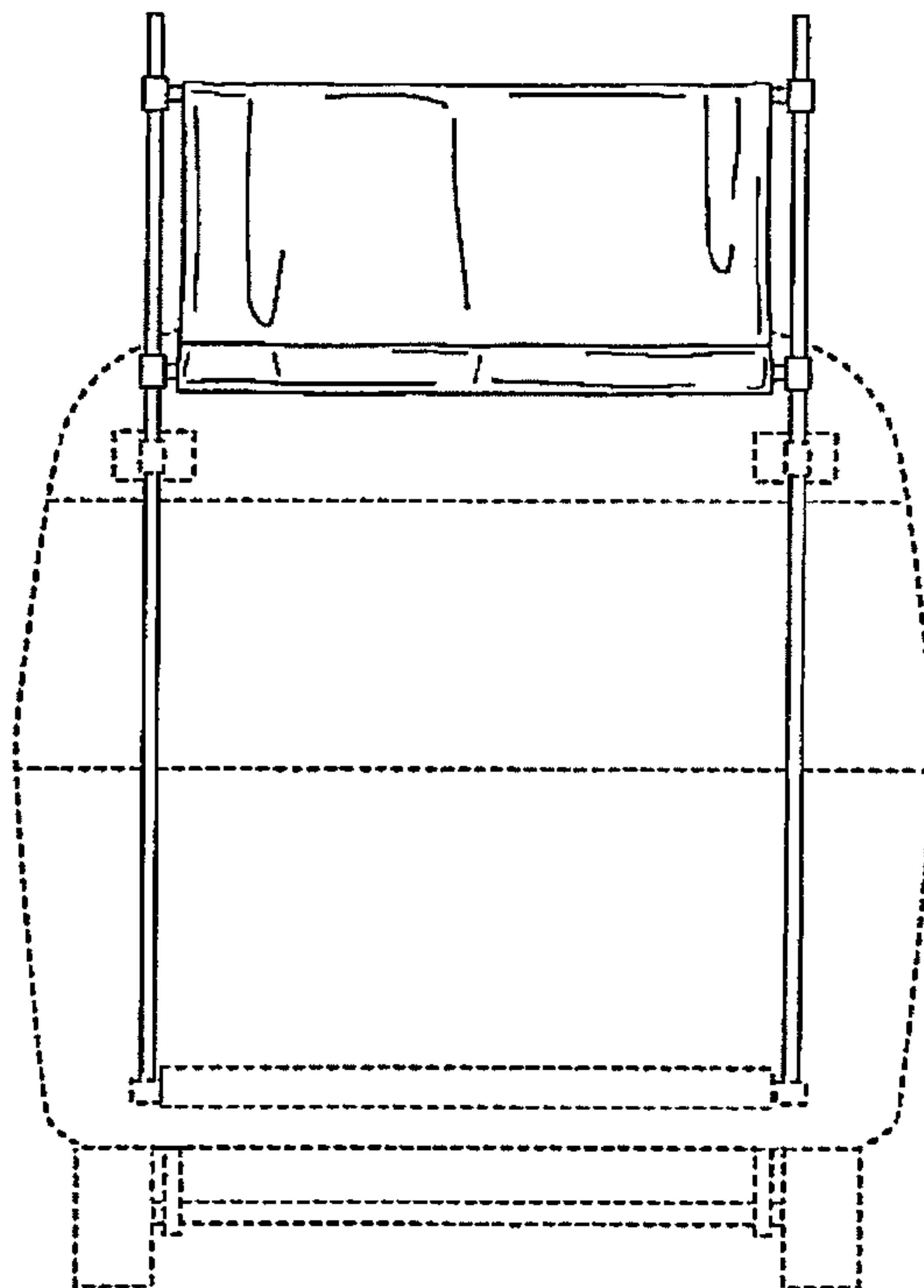


FIG. 6

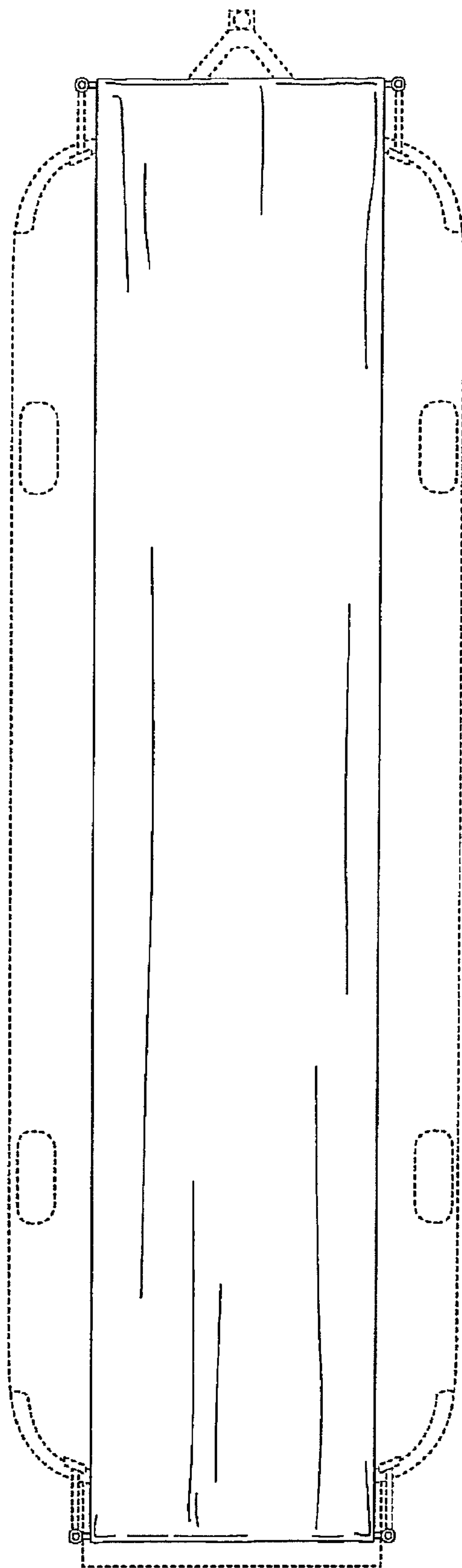


FIG. 7

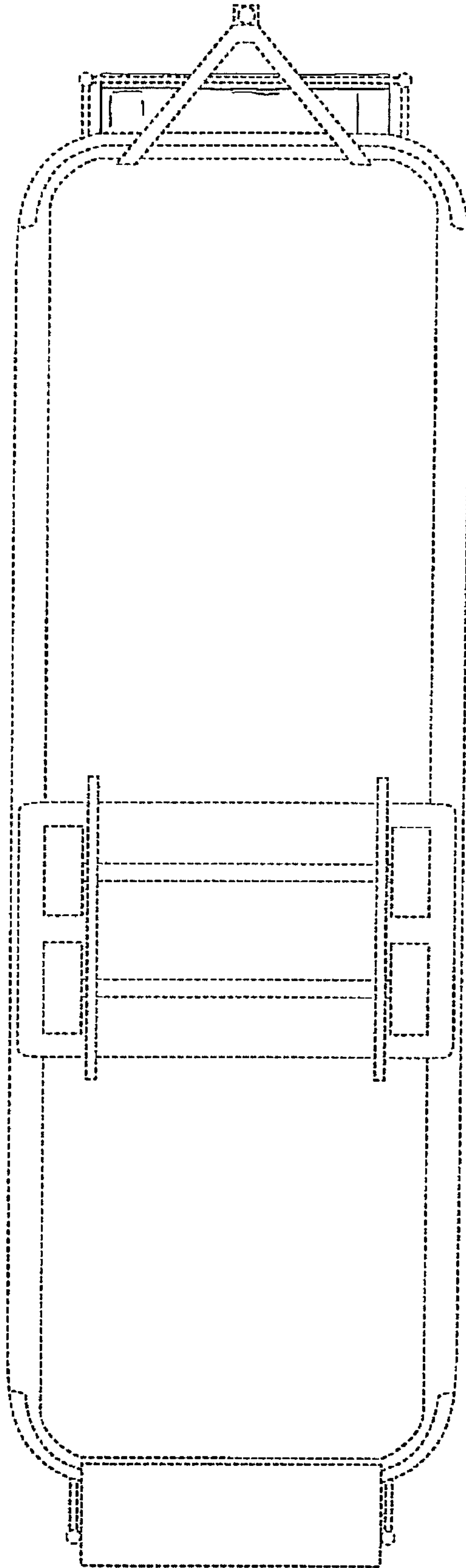


FIG. 8