



US00D706684S

(12) **United States Design Patent**
Dempsey et al.

(10) **Patent No.:** **US D706,684 S**
(45) **Date of Patent:** **** Jun. 10, 2014**

(54) **SPORT TRAILER WITH OPEN FRAME**

(71) Applicants: **Thomas M Dempsey**, Cedar Mountain, NC (US); **Gregory K Mundt**, Duluth, GA (US); **Thomas W Reeder**, Fletcher, NC (US)

(72) Inventors: **Thomas M Dempsey**, Cedar Mountain, NC (US); **Gregory K Mundt**, Duluth, GA (US); **Thomas W Reeder**, Fletcher, NC (US)

(73) Assignee: **Sylvansport, LLC**, Brevard, NC (US)

(**) Term: **14 Years**

(21) Appl. No.: **29/460,229**

(22) Filed: **Jul. 9, 2013**

(51) **LOC (10) Cl.** **12-10**

(52) **U.S. Cl.**
USPC **D12/101**

(58) **Field of Classification Search**
USPC D12/106, 19, 129, 100-105, 111-112;
D21/425, 435; D34/21-26, 12, 16-19;
280/204, 205, 63, 475, 482, 647;
296/168, 180, 180.02, 61, 10,
296/100.01-100.08

See application file for complete search history.

(56) **References Cited**

U.S. PATENT DOCUMENTS

D179,411 S *	12/1956	Coopersmith	D12/105
D240,213 S *	6/1976	Beckwith	D12/102
D326,629 S	6/1992	Holler		
D391,526 S *	3/1998	Kass et al.	D12/102
6,206,456 B1 *	3/2001	Steury et al.	296/173
D464,916 S	10/2002	Golenz		
7,165,779 B2 *	1/2007	Badger et al.	280/656
D566,623 S	4/2008	Dempsey		
D566,624 S	4/2008	Dempsey		

D566,625 S	4/2008	Dempsey		
7,380,867 B2 *	6/2008	Waas	296/169
7,789,452 B2	9/2010	Dempsey		
7,810,866 B2	10/2010	Dempsey		
D626,461 S *	11/2010	Barrios et al.	D12/101
7,943,040 B2 *	5/2011	Taylor et al.	210/167.3
8,439,426 B2	5/2013	Dempsey		
8,480,888 B2 *	7/2013	Ashley et al.	210/195.1
8,597,434 B2 *	12/2013	Barrios et al.	134/115 R
8,622,454 B2 *	1/2014	Andretich	296/24.3
2005/0247747 A1 *	11/2005	Henry et al.	224/401

* cited by examiner

Primary Examiner — Katrina A Betton

(74) *Attorney, Agent, or Firm* — Neal P Pierotti; Metz Lewis Brodman Must O'Keefe

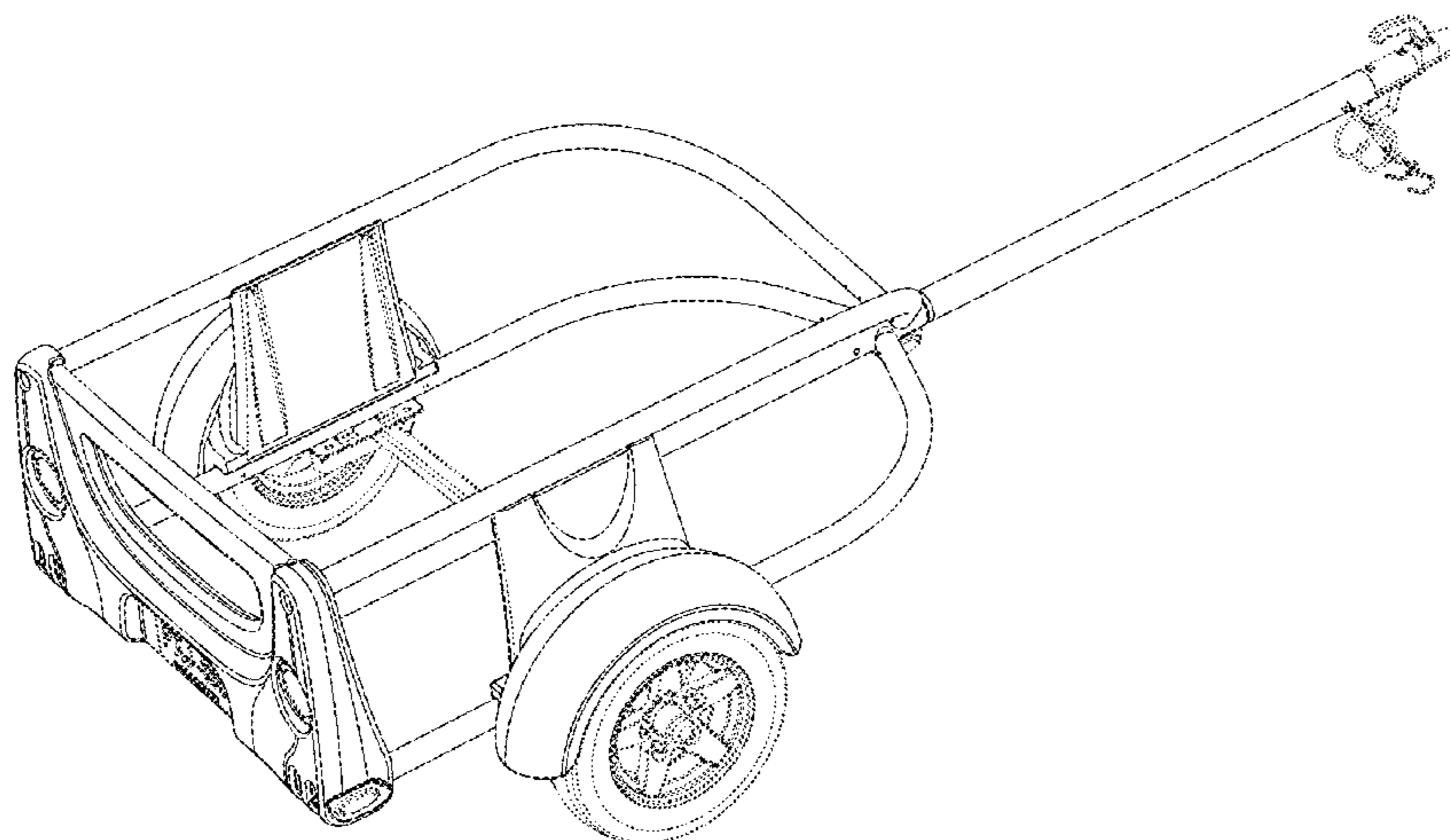
(57) **CLAIM**

The ornamental design of a sport trailer with open frame, as shown and described.

DESCRIPTION

FIG. 1 is a front perspective view of the sport trailer with open frame;
 FIG. 2 is a back perspective view of the sport trailer with open frame;
 FIG. 3 is a front elevation view of the sport trailer with open frame;
 FIG. 4 is a back elevation view of the sport trailer with open frame;
 FIG. 5 is a right side elevation view of the sport trailer with open frame;
 FIG. 6 is a left side elevation view of the sport trailer with open frame;
 FIG. 7 is a top plan view of the sport trailer with open frame;
 and,
 FIG. 8 is a bottom plan view of the sport trailer with open frame.
 In the drawings, the broken lines depict portions of the article that form no part of the claimed design.

1 Claim, 6 Drawing Sheets



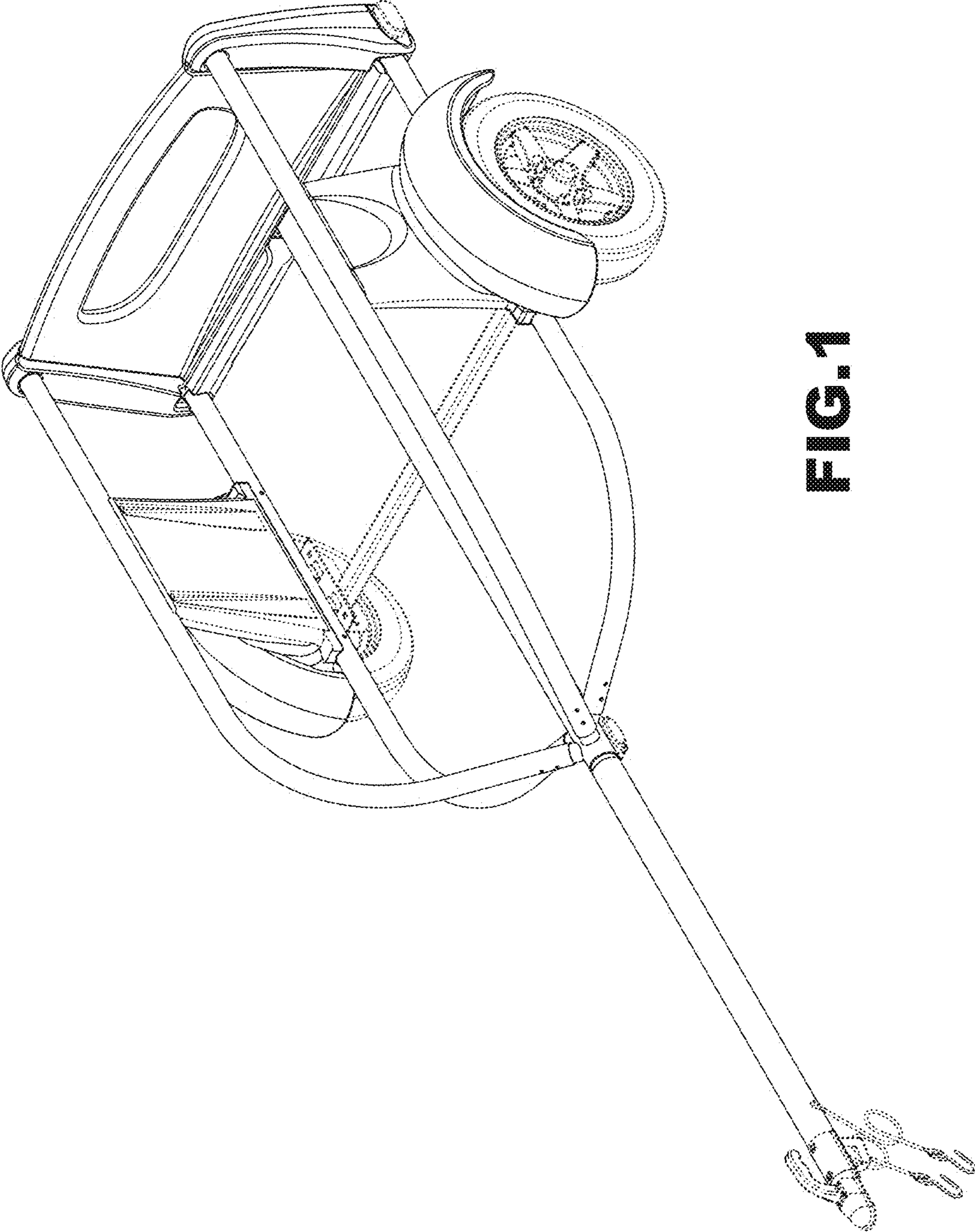


FIG. 1

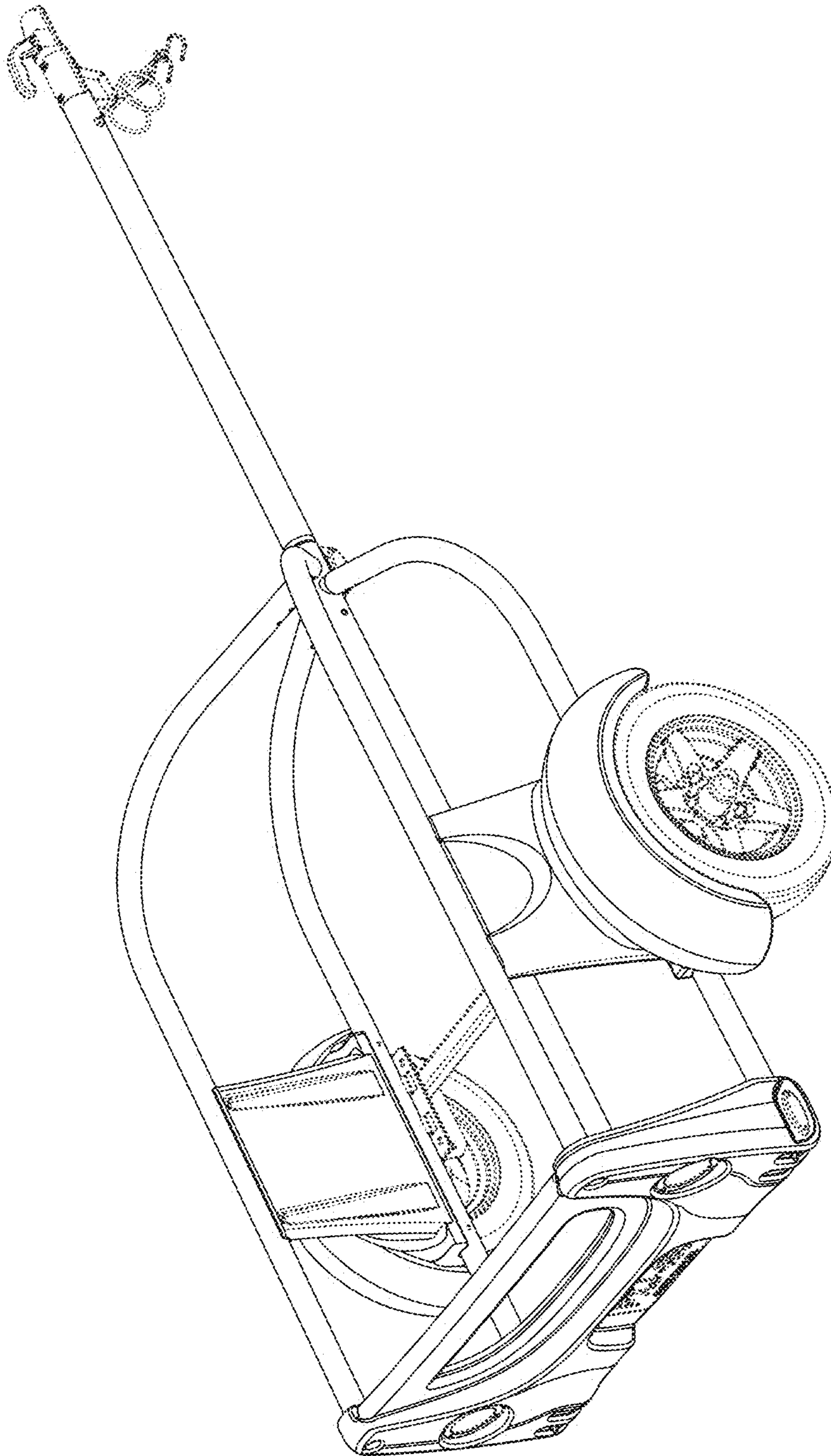


FIG. 2

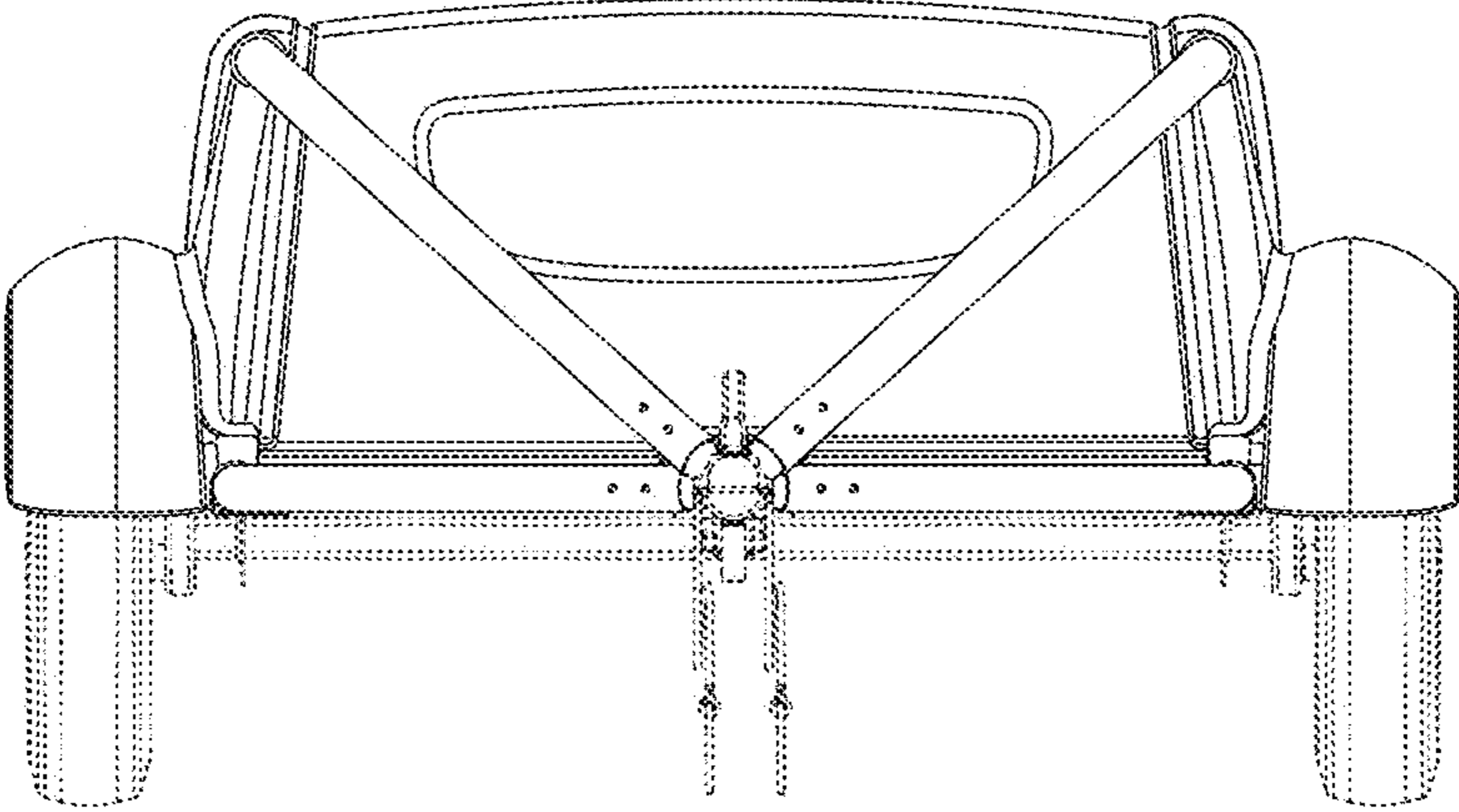


FIG.3

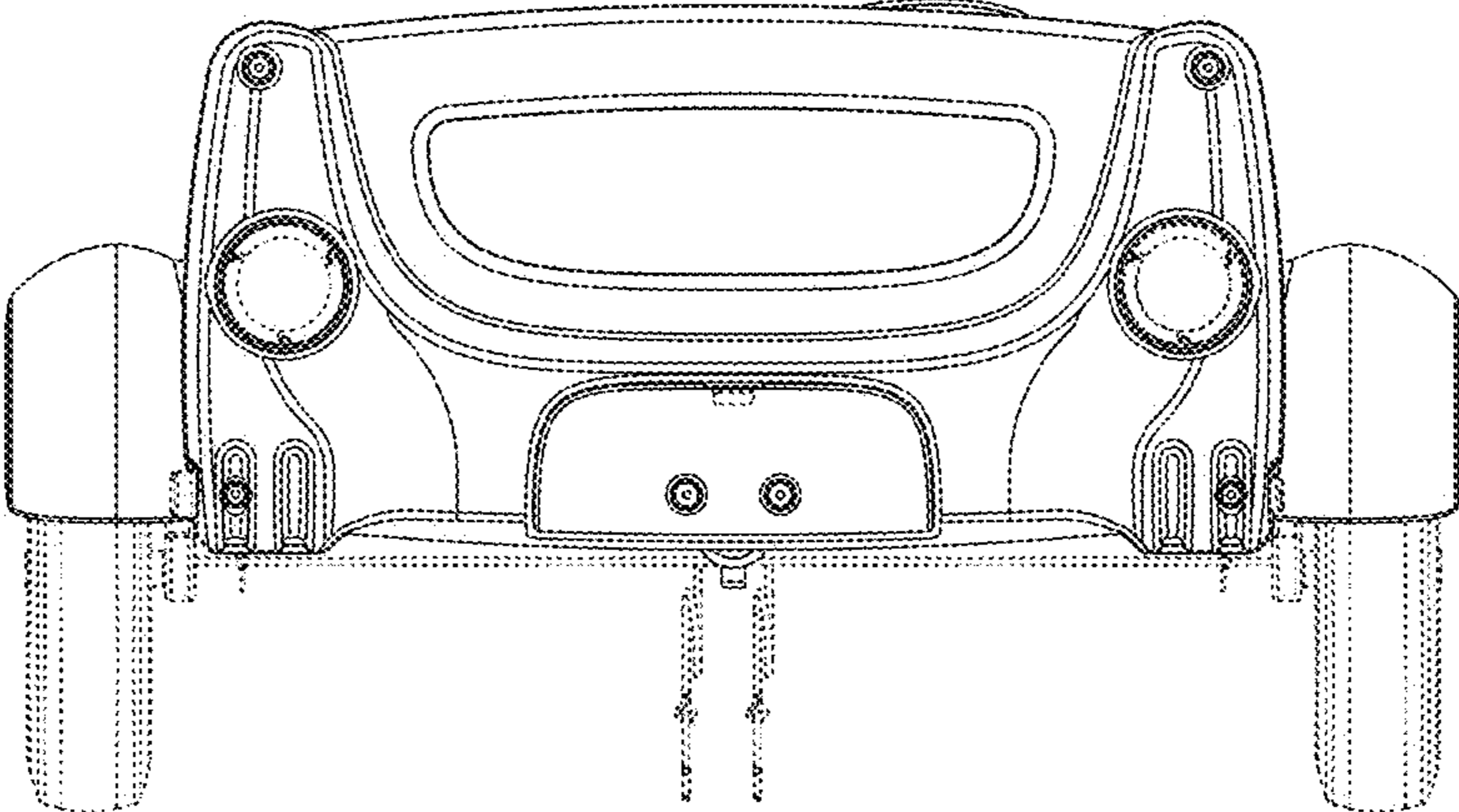
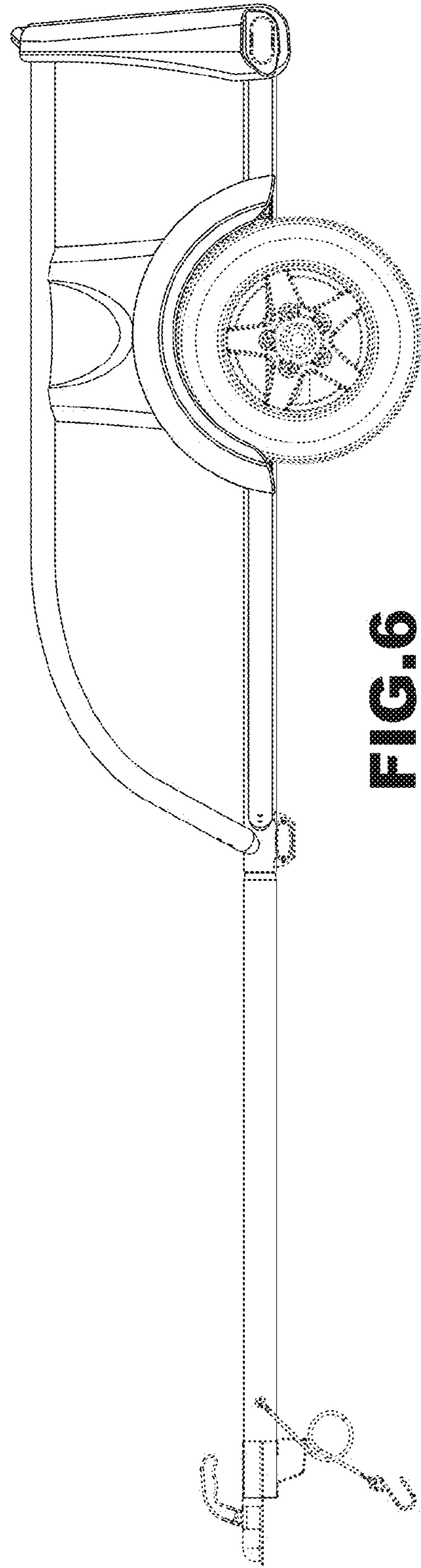
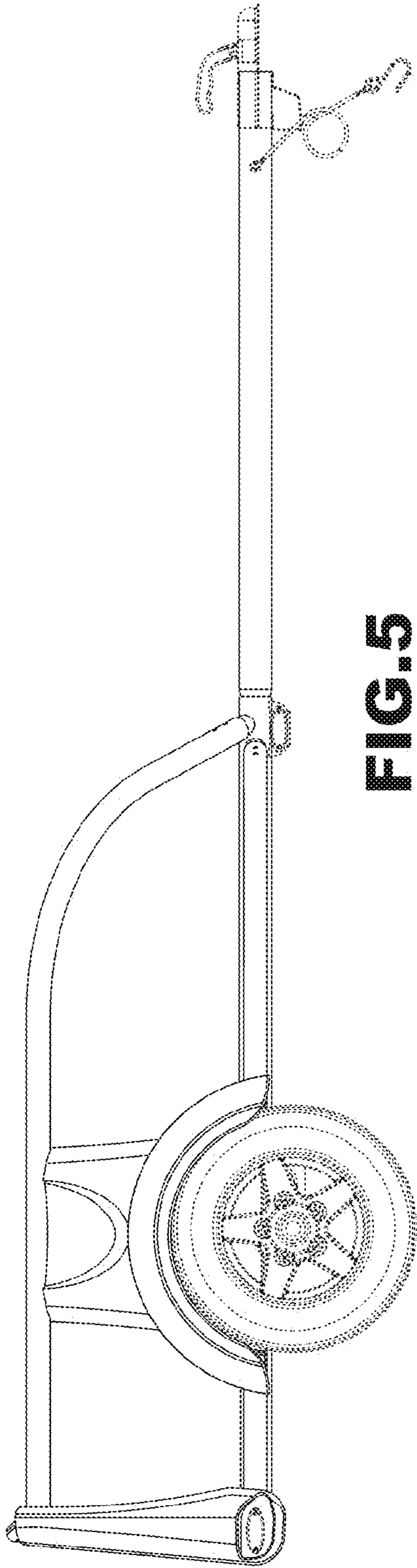


FIG.4



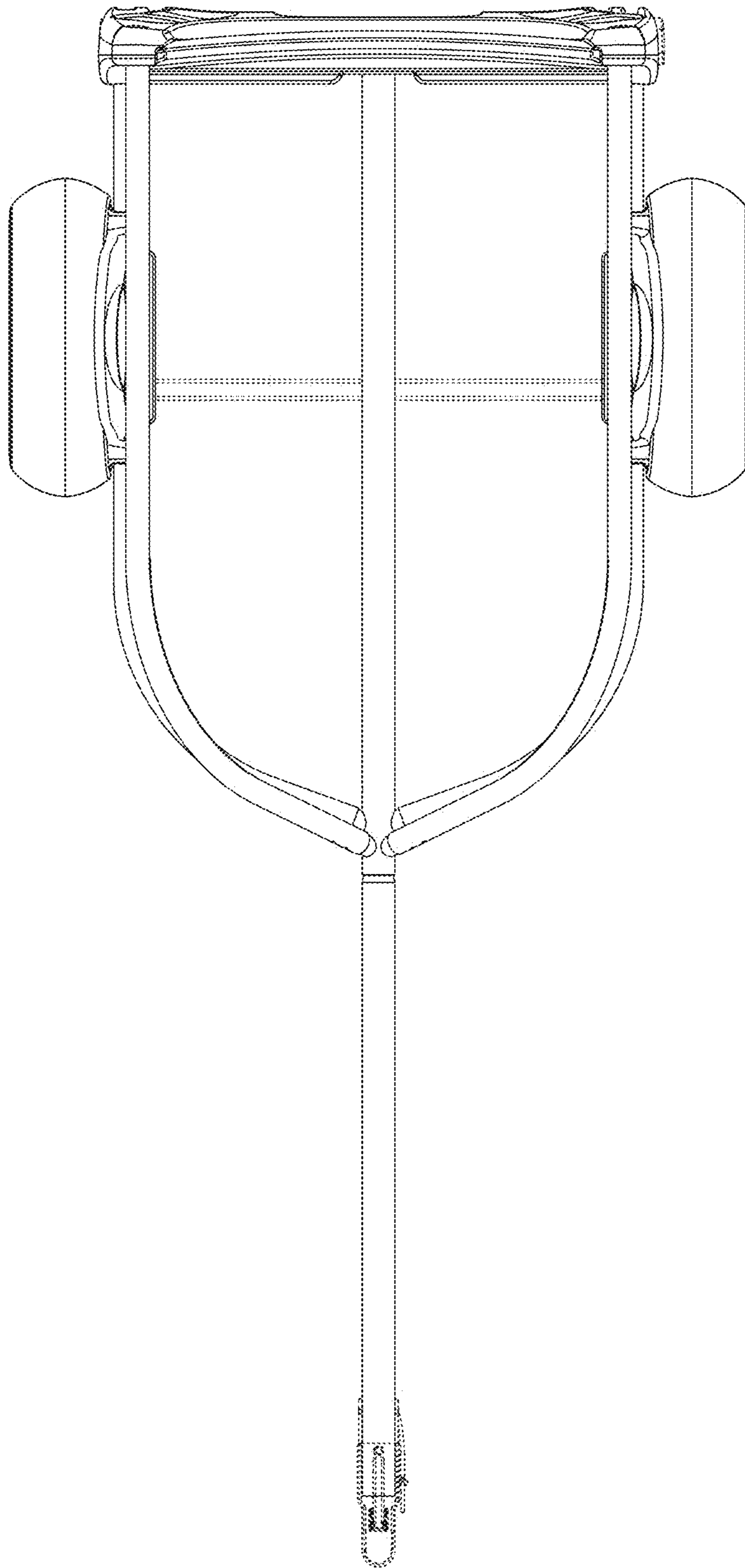


FIG. 7

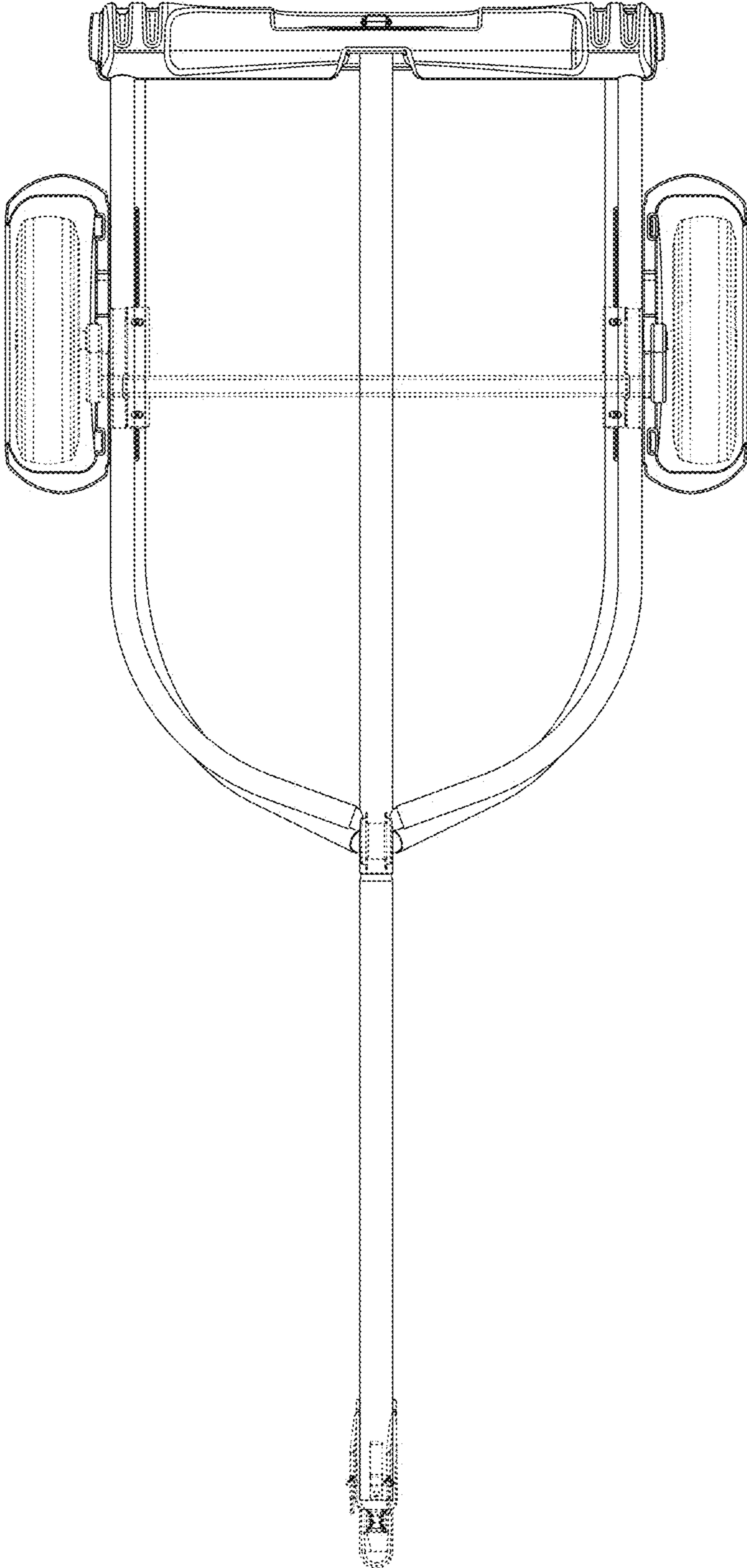


FIG. 8