



US00D706683S

(12) **United States Design Patent**
Cohen

(10) **Patent No.:** **US D706,683 S**
(45) **Date of Patent:** **** Jun. 10, 2014**

(54) **BOAT MOVING DEVICE**
(71) Applicant: **Eric Cohen**, Spring Valley, CA (US)
(72) Inventor: **Eric Cohen**, Spring Valley, CA (US)
(**) Term: **14 Years**
(21) Appl. No.: **29/455,269**
(22) Filed: **May 18, 2013**
(51) **LOC (10) Cl.** **12-10**
(52) **U.S. Cl.**
USPC **D12/101**
(58) **Field of Classification Search**
USPC D12/106, 19, 129, 100-105, 111-112;
D21/425, 435; D34/21-26, 12, 16-19;
280/204, 205, 63, 475, 482, 647;
296/168, 180, 180.02, 61, 10,
296/100.01-100.08
See application file for complete search history.

5,791,279	A *	8/1998	Hart	114/344
D427,407	S	6/2000	Witt		
6,142,492	A *	11/2000	DeLucia	280/47.331
6,189,900	B1 *	2/2001	MacDonald	280/47.331
D476,129	S	6/2003	Witt		
6,926,292	B1 *	8/2005	Weeks	280/47.331
7,243,928	B2 *	7/2007	Singer	280/47.331
D550,921	S *	9/2007	McMorris et al.	D34/23
D575,921	S *	8/2008	Stone, Jr.	D34/23
D676,623	S	2/2013	Huntley		
D678,642	S	3/2013	Riddiford		

* cited by examiner

Primary Examiner — Katrina A Betton

(74) *Attorney, Agent, or Firm* — QuickPatents; Kevin Prince

(57) **CLAIM**

I claim the ornamental design for a boat moving device, as shown and described.

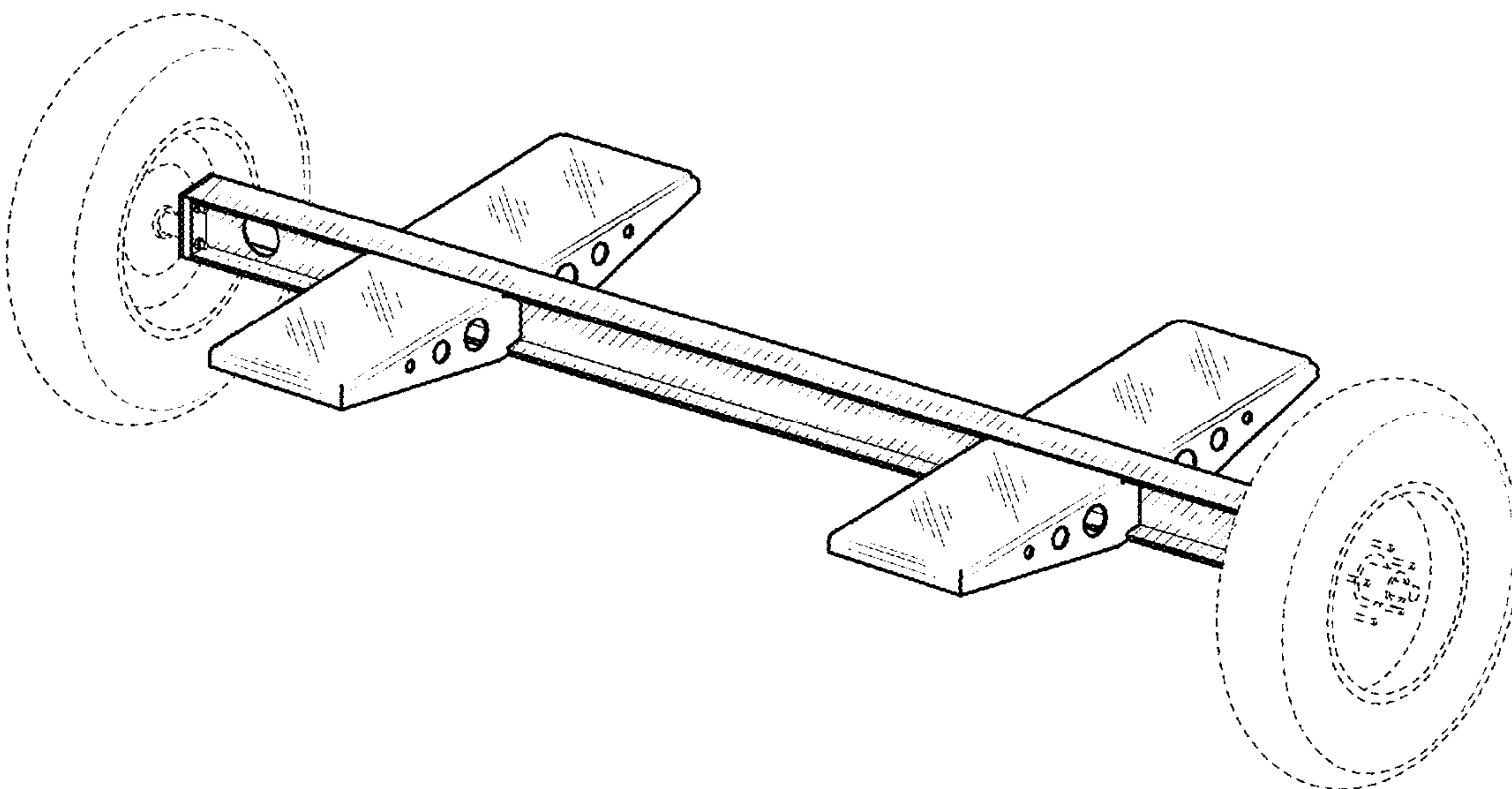
DESCRIPTION

FIG. 1 is a top perspective view of a boat moving device, showing my new design;
FIG. 2 is a bottom perspective view thereof;
FIG. 3 is a front elevational view thereof, the rear elevational view being a mirror image thereof;
FIG. 4 is a left-side elevational view thereof, the right-side elevational view being a mirror image thereof;
FIG. 5 is a top plan view thereof; and,
FIG. 6 is a bottom plan view thereof.
The broken lines showing wheels in FIGS. 1 and 2 depict environmental matter and form no part of the claimed design.

1 Claim, 3 Drawing Sheets

(56) **References Cited**
U.S. PATENT DOCUMENTS

3,586,345	A	6/1971	Nall		
D237,786	S	11/1975	Gillster		
D302,065	S	7/1989	Weale		
4,850,605	A	7/1989	Ray		
D328,511	S	8/1992	Bureau		
5,203,580	A	4/1993	Cunningham		
D340,337	S *	10/1993	Beasley	D34/23
5,433,460	A *	7/1995	Young	280/35
D362,326	S *	9/1995	Stout et al.	D34/23
5,484,154	A *	1/1996	Ward	280/652
D384,784	S	10/1997	Hebert		



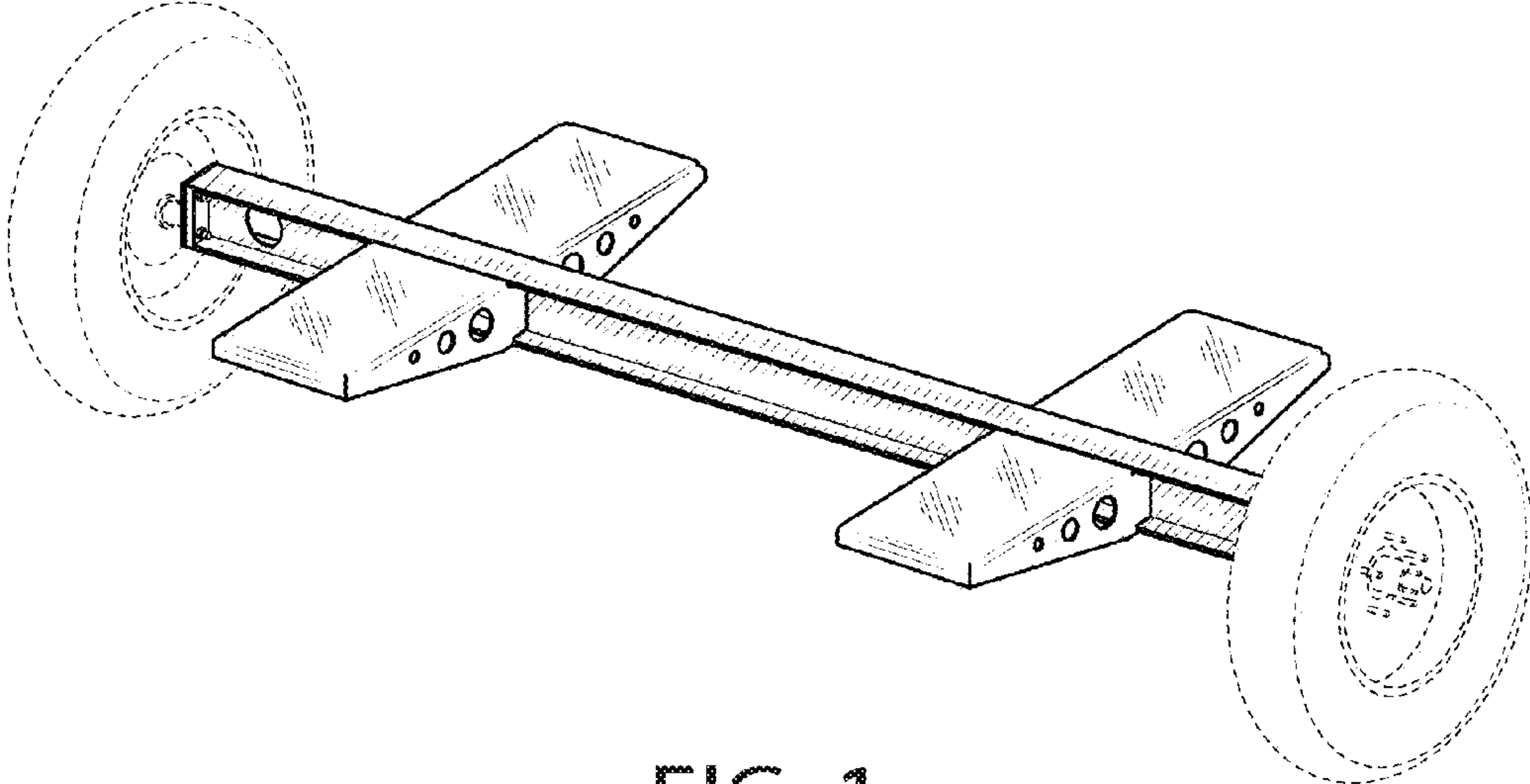


FIG. 1

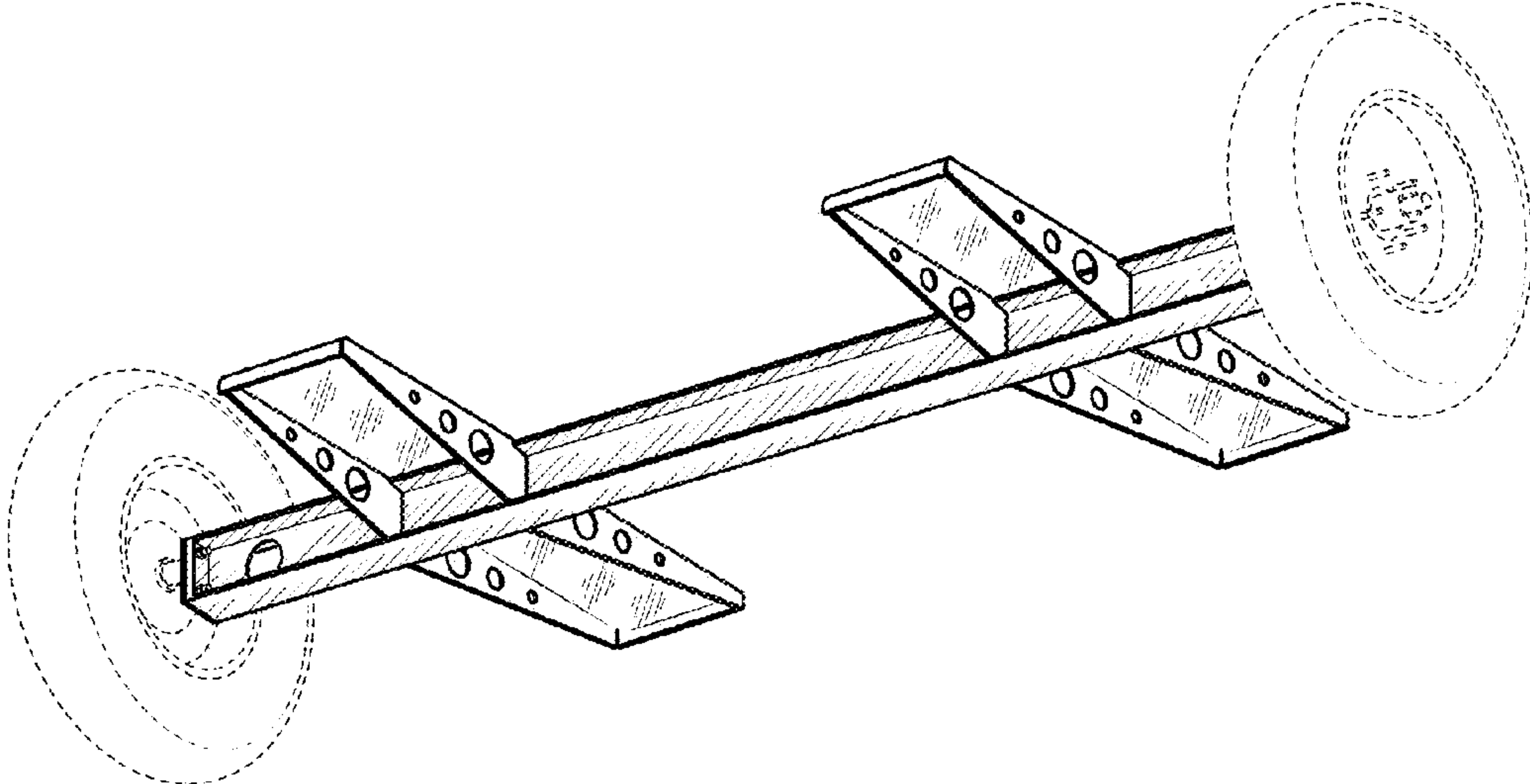


FIG. 2

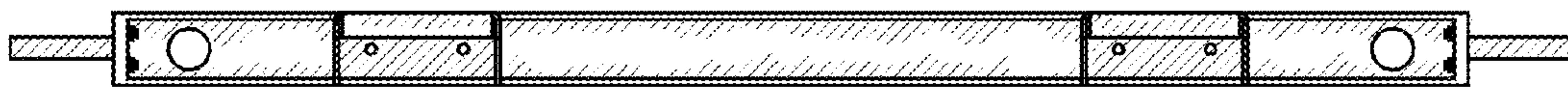


FIG. 3

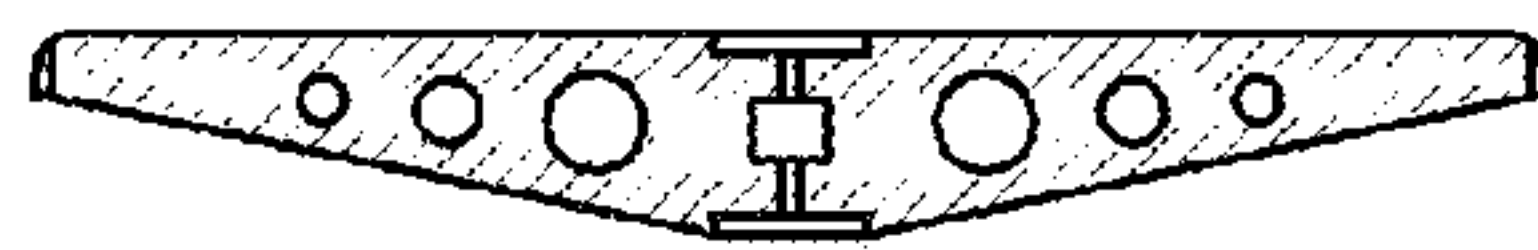


FIG. 4

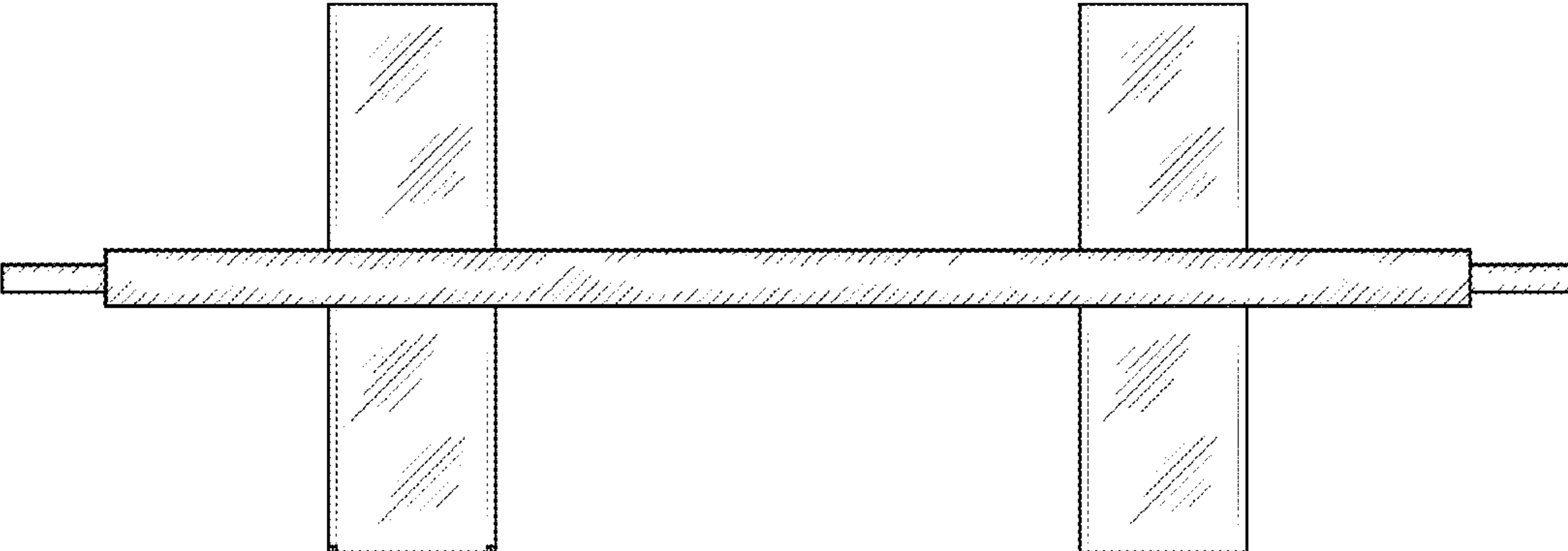


FIG. 5

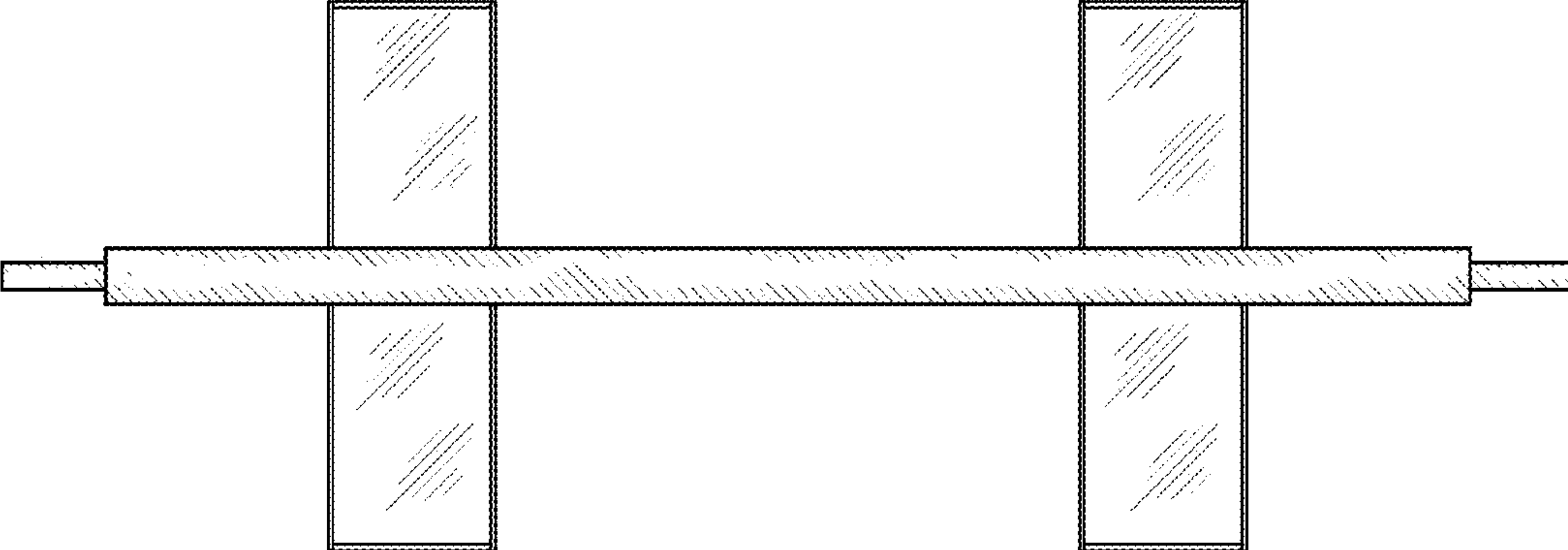


FIG. 6