



US00D706681S

(12) **United States Design Patent**  
**Auerbach et al.**

(10) **Patent No.:** **US D706,681 S**  
(45) **Date of Patent:** **\*\* Jun. 10, 2014**

(54) **MOTOR VEHICLE, TOY REPLICA AND/OR OTHER REPLICAS**

(75) Inventors: **Markus Auerbach**, Ingolstadt (DE);  
**Juergen Loeffler**, Gaimersheim (DE);  
**Christina Wittmann**, Ingolstadt (DE)

(73) Assignee: **Audi AG**, Ingolstadt (DE)

(\*\*) Term: **14 Years**

(21) Appl. No.: **29/415,255**

(22) Filed: **Mar. 8, 2012**

(30) **Foreign Application Priority Data**

Sep. 9, 2011 (EM) ..... 001914797-0001

(51) **LOC (10) Cl.** ..... **12-08**

(52) **U.S. Cl.**  
USPC ..... **D12/92**

(58) **Field of Classification Search**  
USPC ..... D12/1, 16, 85, 86, 87, 88, 89, 90, 93;  
D21/424, 433, 533, 548, 549, 550,  
D21/551; 296/181.1, 181.5; 280/124.11,  
280/779; 180/68.1, 68.4  
See application file for complete search history.

(56) **References Cited**

**U.S. PATENT DOCUMENTS**

D439,205 S *	3/2001	Leutz	.....	D12/92
D455,102 S *	4/2002	Crijns	.....	D12/92
D491,106 S *	6/2004	Yamada	.....	D12/92
D495,976 S *	9/2004	Sugimoto	.....	D12/92
D518,414 S *	4/2006	Lo	.....	D12/92
D532,716 S *	11/2006	Moushegian	.....	D12/91
D533,113 S *	12/2006	Cartabiano et al.	.....	D12/91
D534,459 S *	1/2007	Kim et al.	.....	D12/91
D534,592 S *	1/2007	Hill	.....	D21/549
D539,703 S *	4/2007	Woodhouse et al.	.....	D12/92

D541,703 S *	5/2007	Mochizuki	.....	D12/92
D551,594 S *	9/2007	Tsuchiya	.....	D12/91
D588,958 S *	3/2009	Zheng et al.	.....	D12/92
D593,905 S *	6/2009	Kasaba et al.	.....	D12/92
D610,042 S *	2/2010	Bauer et al.	.....	D12/92
D617,684 S *	6/2010	Nagura et al.	.....	D12/92
D618,592 S *	6/2010	Lo et al.	.....	D12/92
D621,750 S *	8/2010	Majdandzic	.....	D12/92
D622,185 S *	8/2010	Uchiyama et al.	.....	D12/91
D626,458 S *	11/2010	Thomas et al.	.....	D12/92
D632,223 S *	2/2011	Jacob et al.	.....	D12/92
D640,172 S *	6/2011	Furst	.....	D12/90
D644,148 S *	8/2011	Smart	.....	D12/91
D664,896 S *	8/2012	Szews et al.	.....	D12/91
2007/0158974 A1 *	7/2007	Woodhouse et al.	....	296/146.11
2009/0151125 A1 *	6/2009	Craigo et al.	.....	16/412

\* cited by examiner

*Primary Examiner* — Phillip S Hyder

(74) *Attorney, Agent, or Firm* — Abelman, Frayne & Schwab

(57) **CLAIM**

The ornamental design for a motor vehicle, toy replica and/or other replicas, as shown and described.

**DESCRIPTION**

FIG. 1 is a front and left side perspective view of the motor vehicle, toy replica and/or other replicas, showing our new design;

FIG. 2 is a left side elevational view thereof;

FIG. 3 is a right side elevational view thereof;

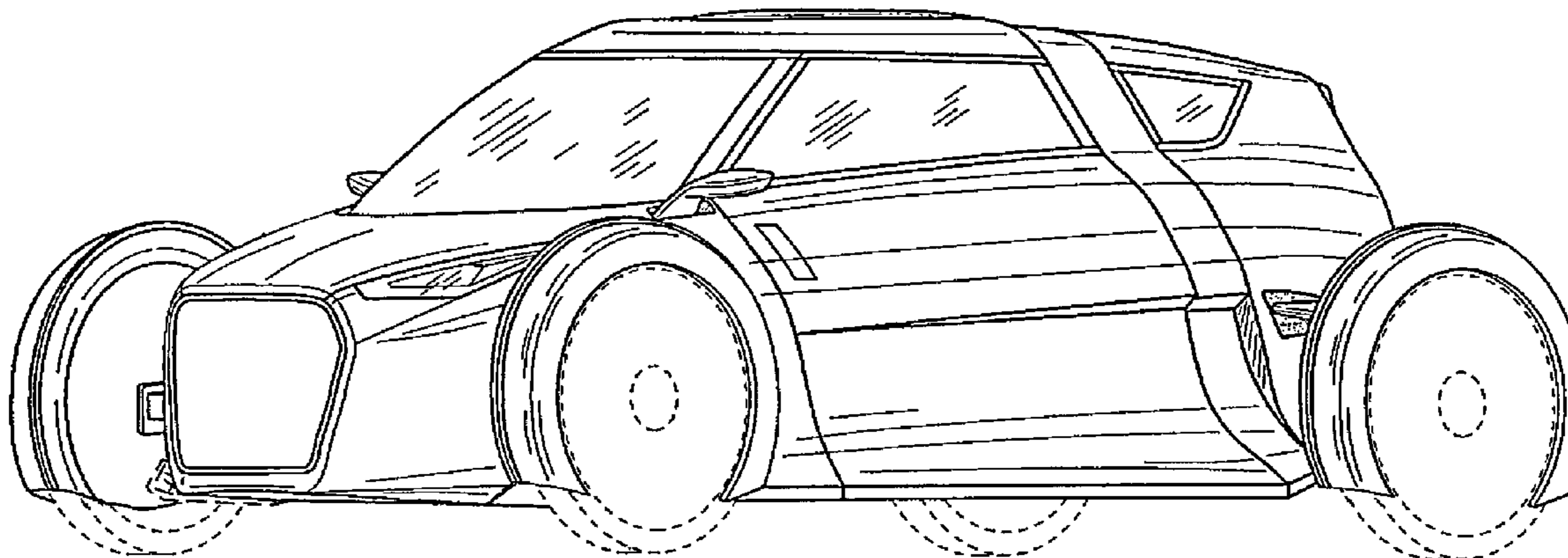
FIG. 4 is a top plan view thereof;

FIG. 5 is a rear elevational view thereof; and,

FIG. 6 is a front elevational view thereof.

The uniform broken lines shown in the drawings illustrate portions of the motor vehicle, toy replica and/or other replicas that form no part of the claimed design. The dash-dot broken lines illustrate boundaries between claimed and unclaimed surfaces and form no part of the claimed design.

**1 Claim, 6 Drawing Sheets**



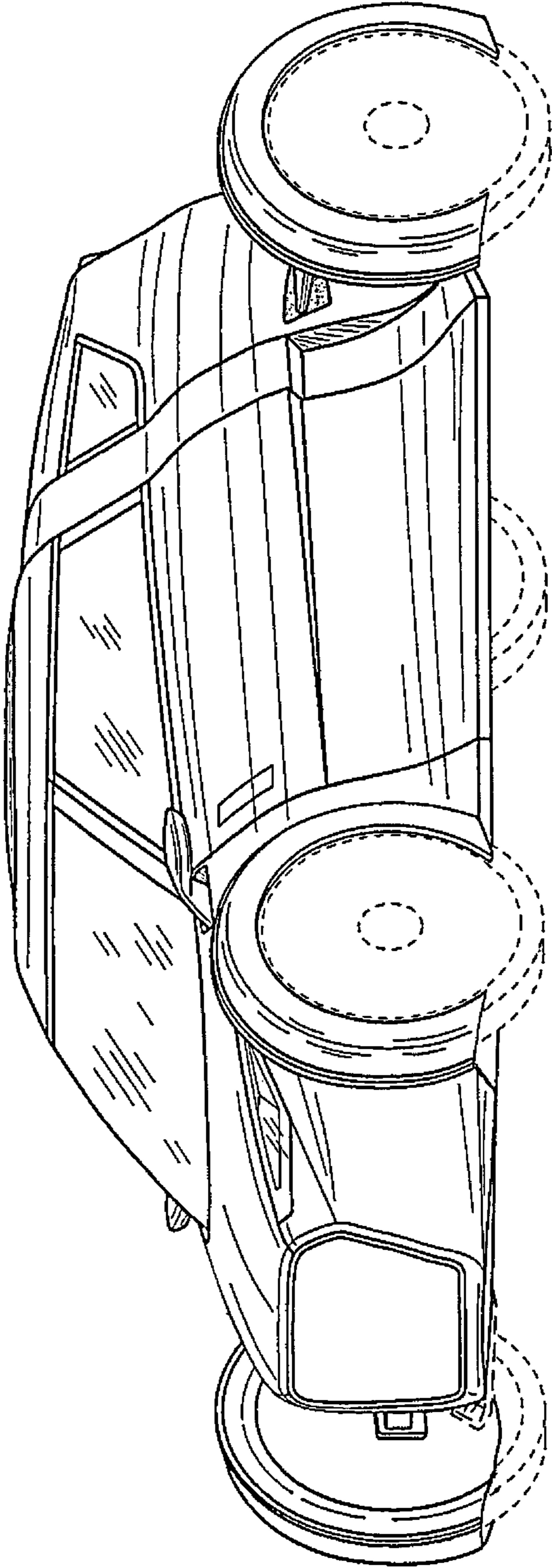


FIG. 1

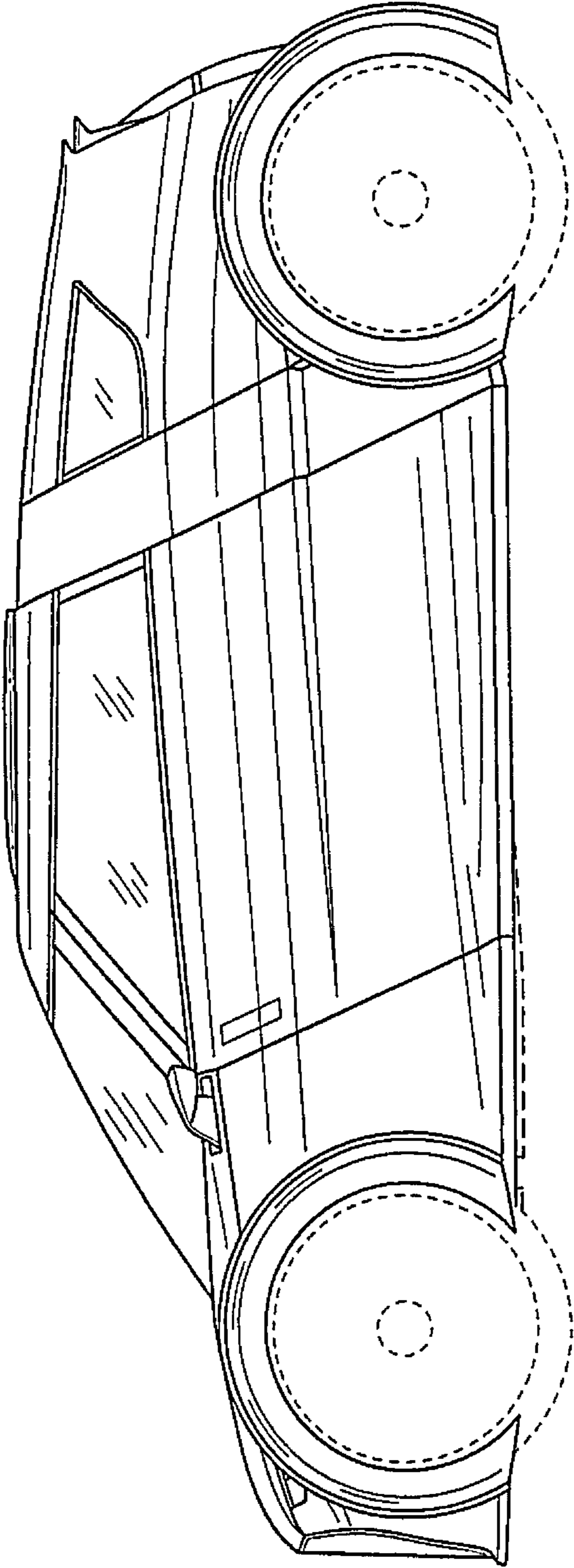


FIG. 2

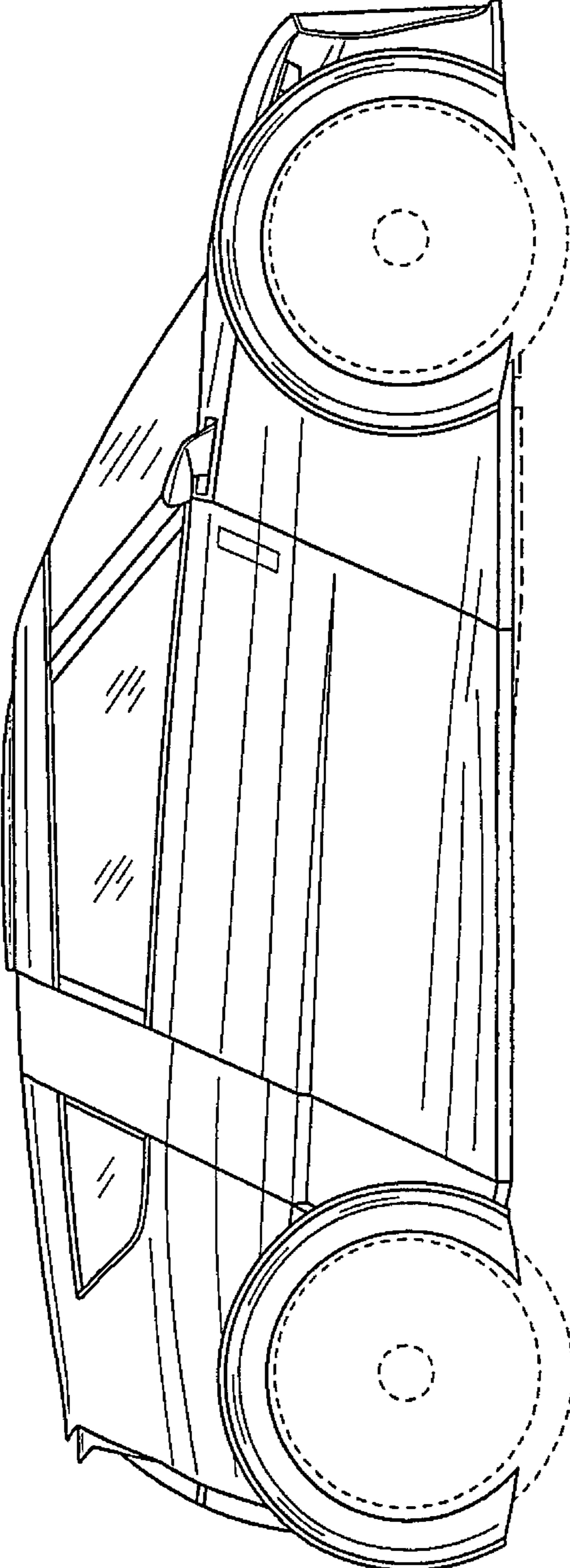


FIG. 3



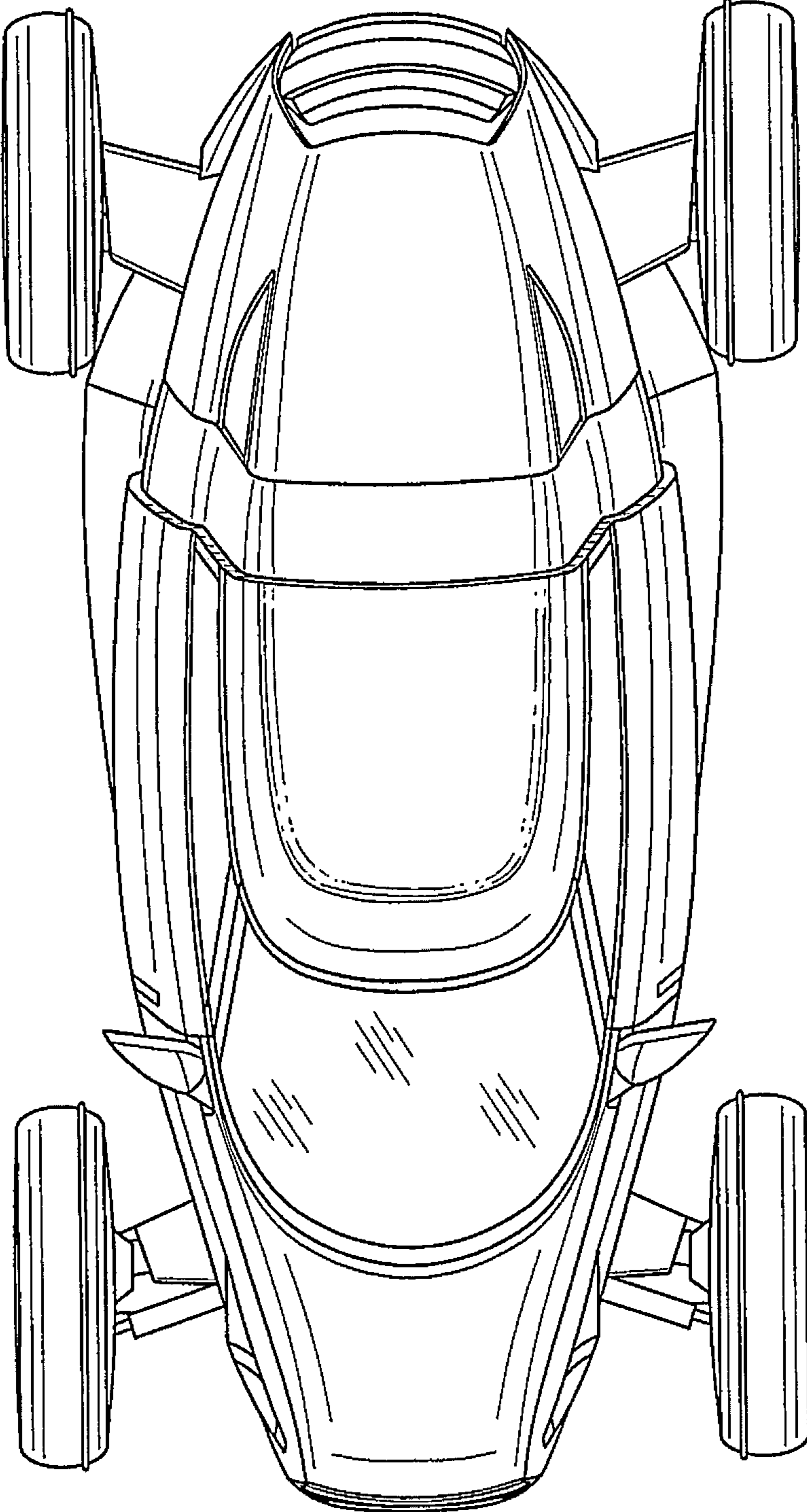


FIG. 4

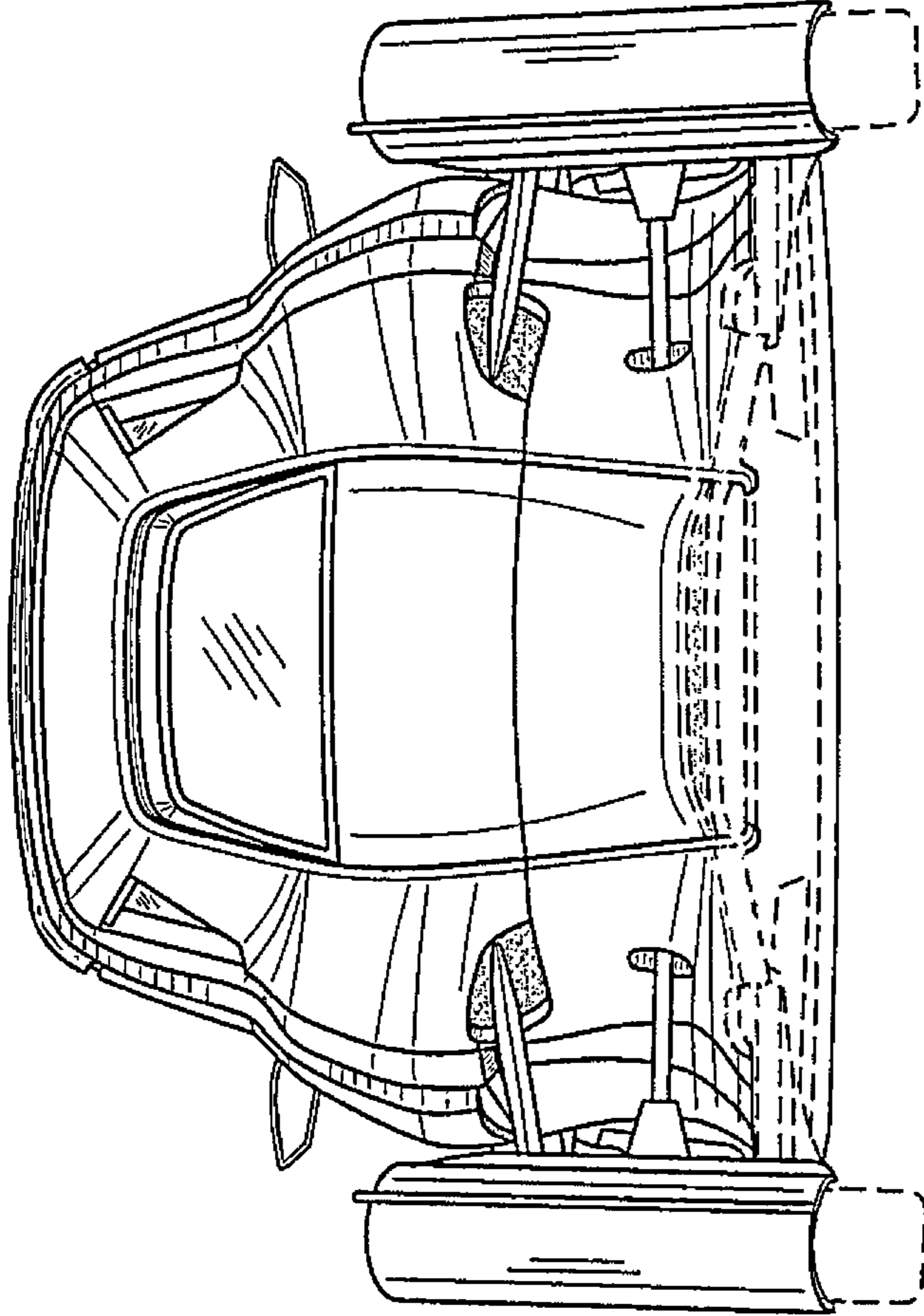


FIG. 5

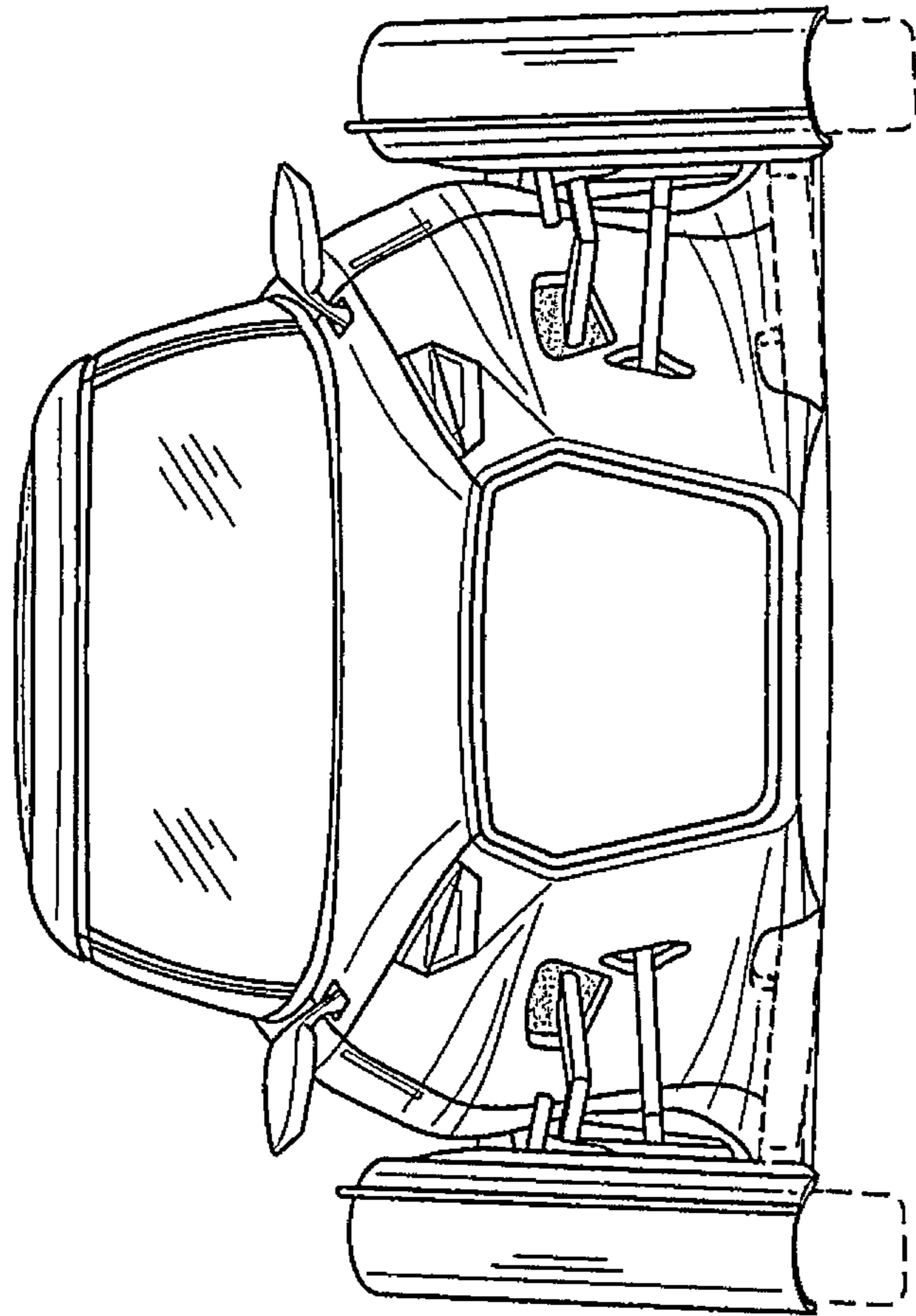


FIG. 6