



US00D706678S

(12) **United States Design Patent**  
**Earon**

(10) **Patent No.:** **US D706,678 S**  
(45) **Date of Patent:** **\*\* Jun. 10, 2014**

- (54) **UNMANNED AERIAL VEHICLE**
- (71) Applicant: **Winehawk Inc.**, Thornhill (CA)
- (72) Inventor: **Ernest Earon**, Thornhill (CA)
- (73) Assignee: **PrecisionHawk Inc.**, Thornhill (CA)
- (\*\*) Term: **14 Years**
- (21) Appl. No.: **29/454,606**
- (22) Filed: **May 13, 2013**
- (51) **LOC (10) Cl.** ..... **12-07**
- (52) **U.S. Cl.**  
USPC ..... **D12/16.1; D12/319; D12/344; D21/450**
- (58) **Field of Classification Search**  
USPC ..... D12/16.1, 319, 320, 321, 323, 326, 327,  
D12/333, 337, 339, 344, 345; D21/430,  
D21/436, 437, 438, 442, 445, 446, 447, 449,  
D21/450, 453; 244/2, 4 R, 5, 6, 12.1-12.4,  
244/13, 17.11, 100 R, 108, 153 R, 117 R,  
244/119, 60; 446/36, 57, 61, 62, 63  
See application file for complete search history.

(56) **References Cited**

**U.S. PATENT DOCUMENTS**

743,301	A *	11/1903	Lischiak	.....	244/153 R
3,787,998	A *	1/1974	Kilroy et al.	.....	446/61
3,839,818	A *	10/1974	Heggedal	.....	446/62
4,863,413	A *	9/1989	Schwarz	.....	446/62
4,911,384	A *	3/1990	Stankus	.....	244/153 R
5,150,860	A *	9/1992	Young	.....	244/63
5,524,851	A *	6/1996	Huang	.....	244/153 R
5,609,312	A *	3/1997	Arlton et al.	.....	244/17.11

5,836,545	A *	11/1998	Arlton et al.	.....	244/60
6,095,458	A *	8/2000	Cripe	.....	244/153 R
6,142,419	A *	11/2000	Arlton	.....	244/100 R
6,520,823	B2 *	2/2003	Tian et al.	.....	446/57
6,742,741	B1 *	6/2004	Rivoli	.....	244/12.1
7,168,657	B2 *	1/2007	Chen	.....	244/108
D585,370	S *	1/2009	Tu	.....	D13/112
D596,267	S *	7/2009	Colgren et al.	.....	D12/319
D608,268	S *	1/2010	Iori	.....	D12/319
D656,999	S *	4/2012	Frederick	.....	D21/453
D665,331	S *	8/2012	Sands	.....	D12/319
2010/0323579	A1 *	12/2010	Liang et al.	.....	446/36

\* cited by examiner

*Primary Examiner* — Caron D Veynar

*Assistant Examiner* — Martie K Holtje

(74) *Attorney, Agent, or Firm* — Gowling Lafleur  
Henderson LLP; Joseph Conneely

(57) **CLAIM**

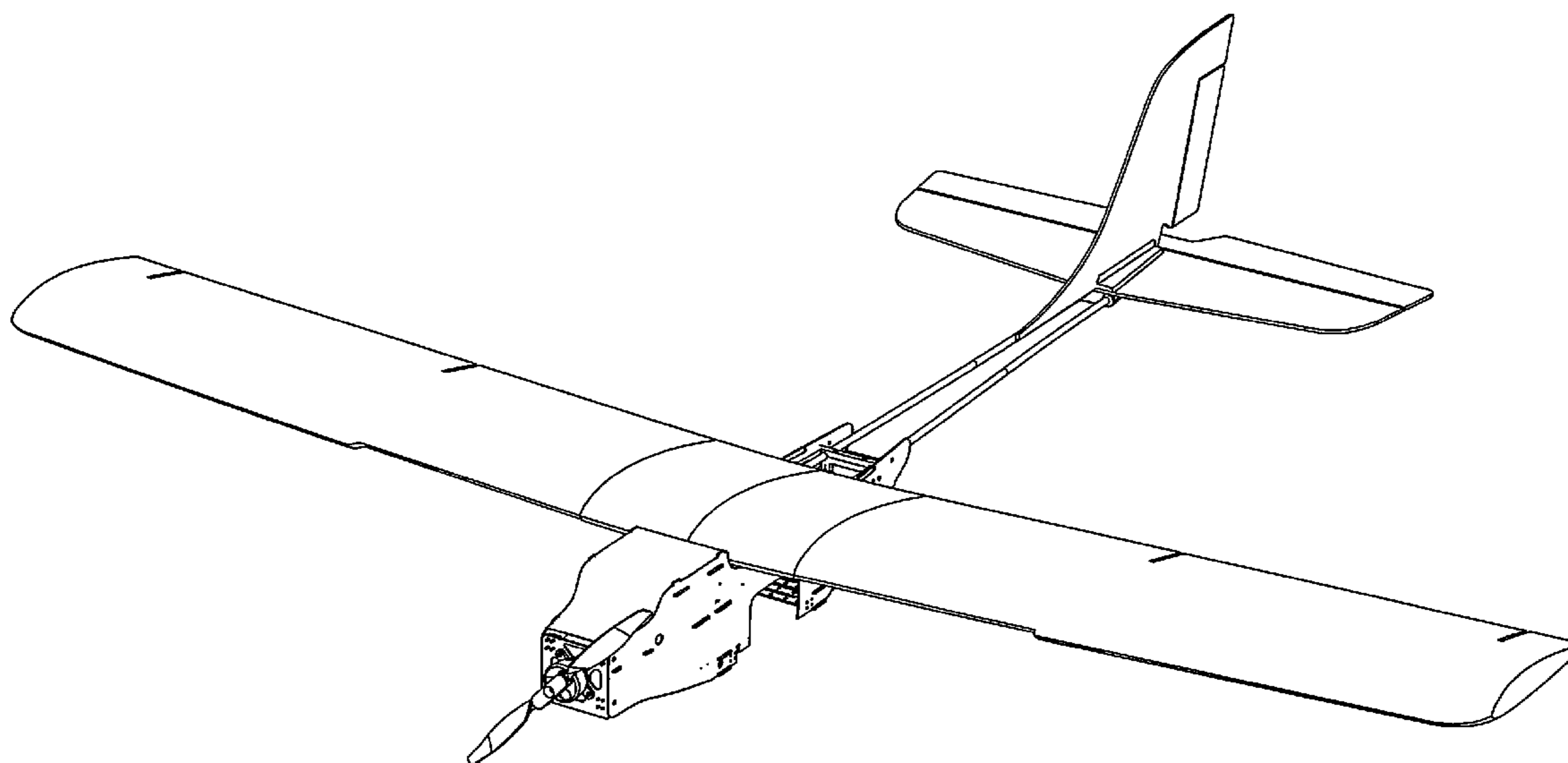
The ornamental design for an unmanned aerial vehicle, as shown and described.

**DESCRIPTION**

FIG. 1 is a front perspective view of an unmanned aerial vehicle according to the design;  
 FIG. 2 is a front view thereof;  
 FIG. 3 is a rear view thereof;  
 FIG. 4 is a right side view thereof;  
 FIG. 5 is a left side view thereof;  
 FIG. 6 is a top view thereof; and,  
 FIG. 7 is a bottom view thereof.

The portions shown in broken lines in FIG. 7 do not form part of the claimed design.

**1 Claim, 7 Drawing Sheets**



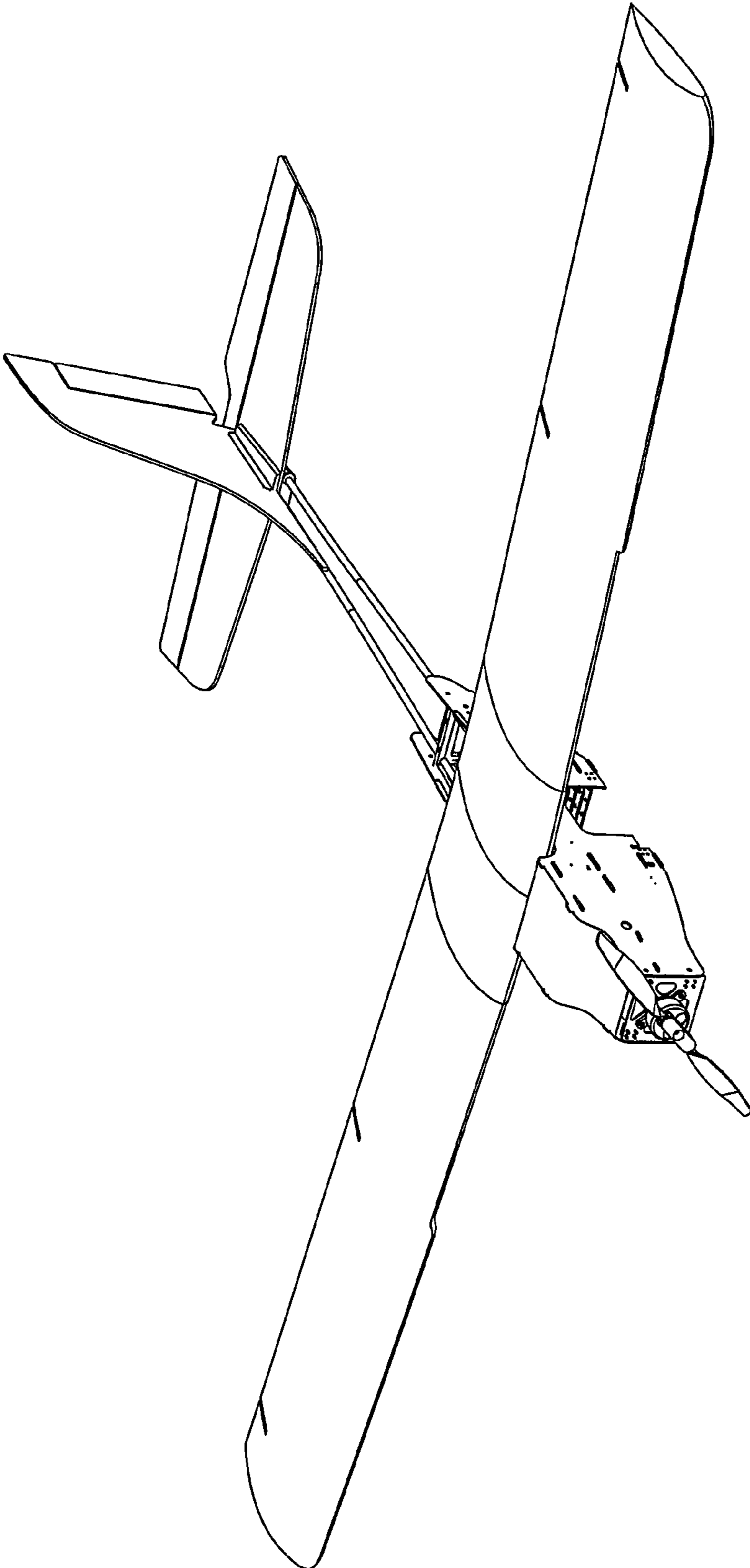


FIG. 1

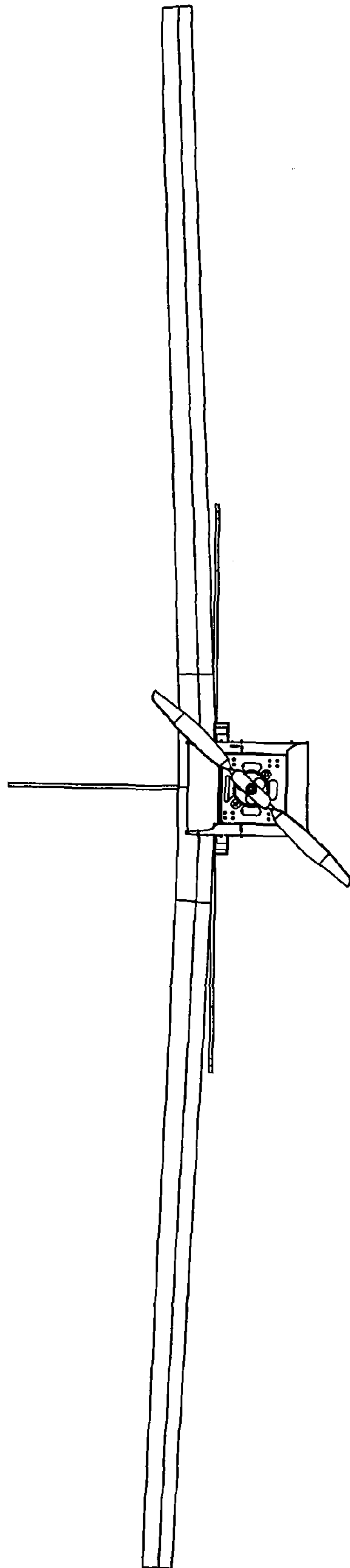


FIG. 2

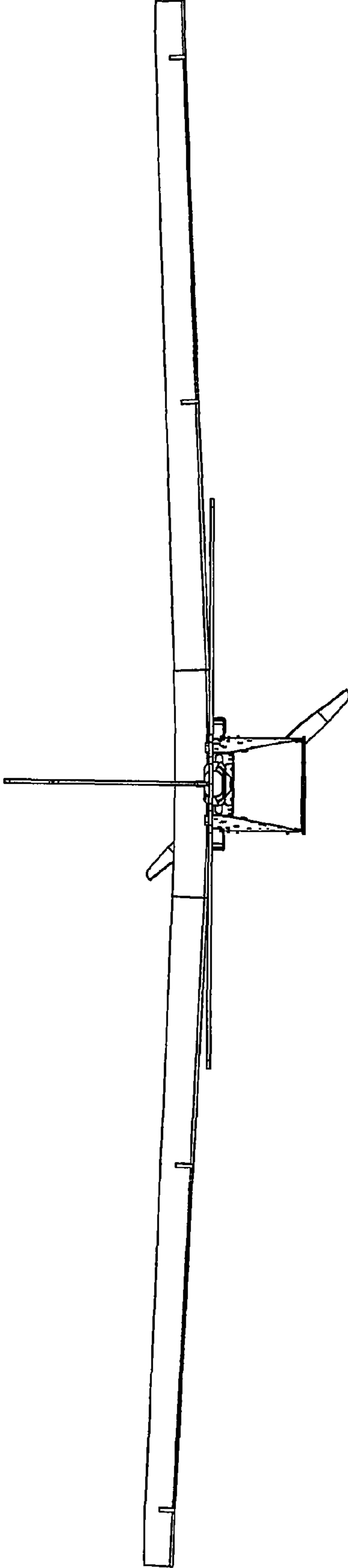


FIG. 3

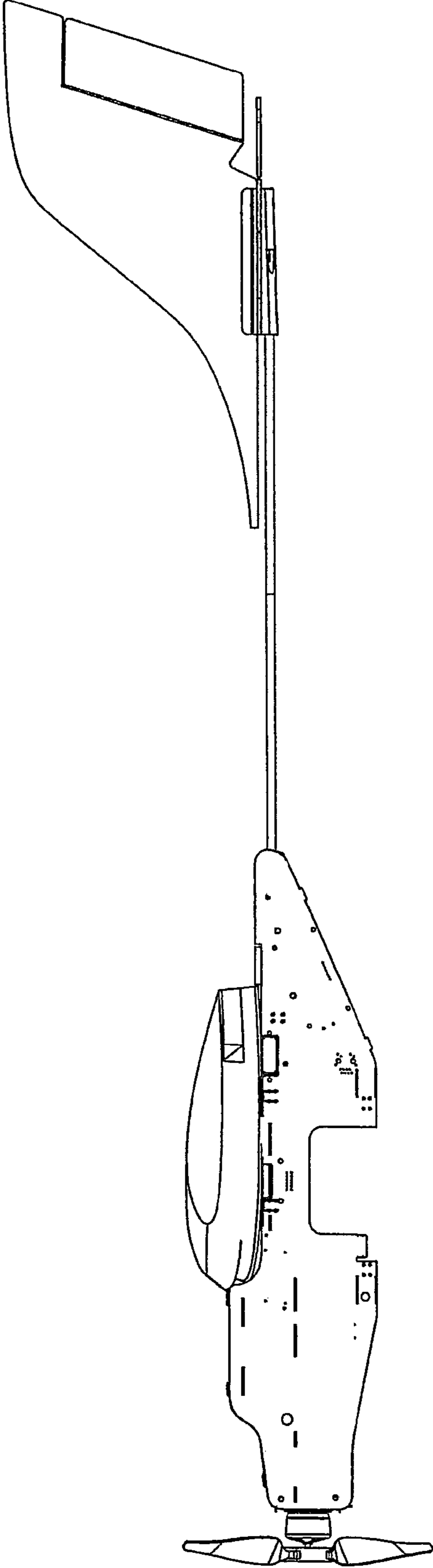


FIG. 4

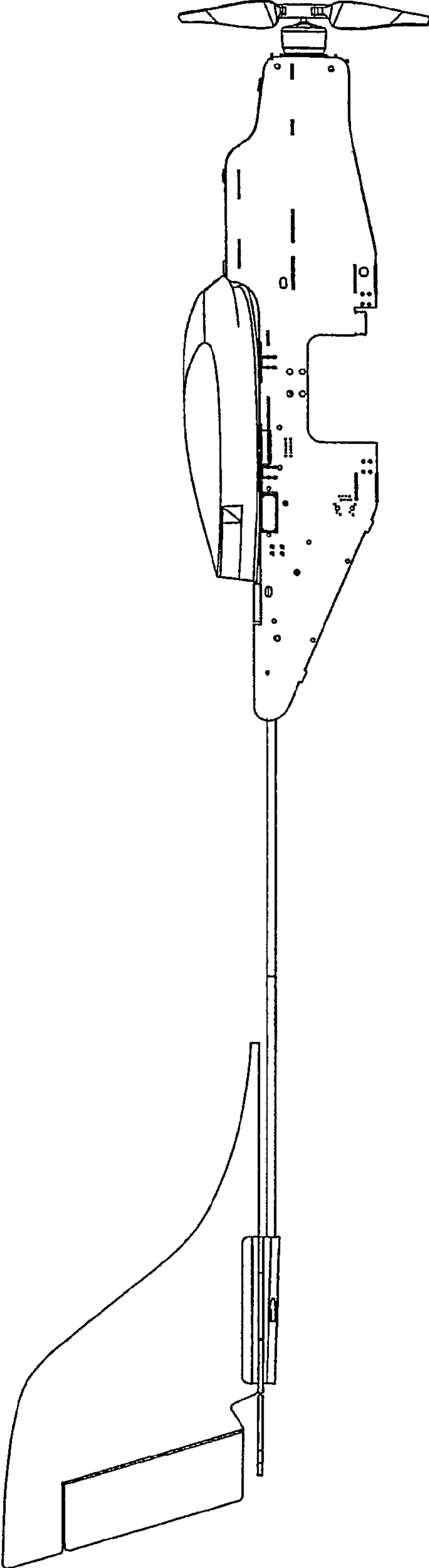


FIG. 5

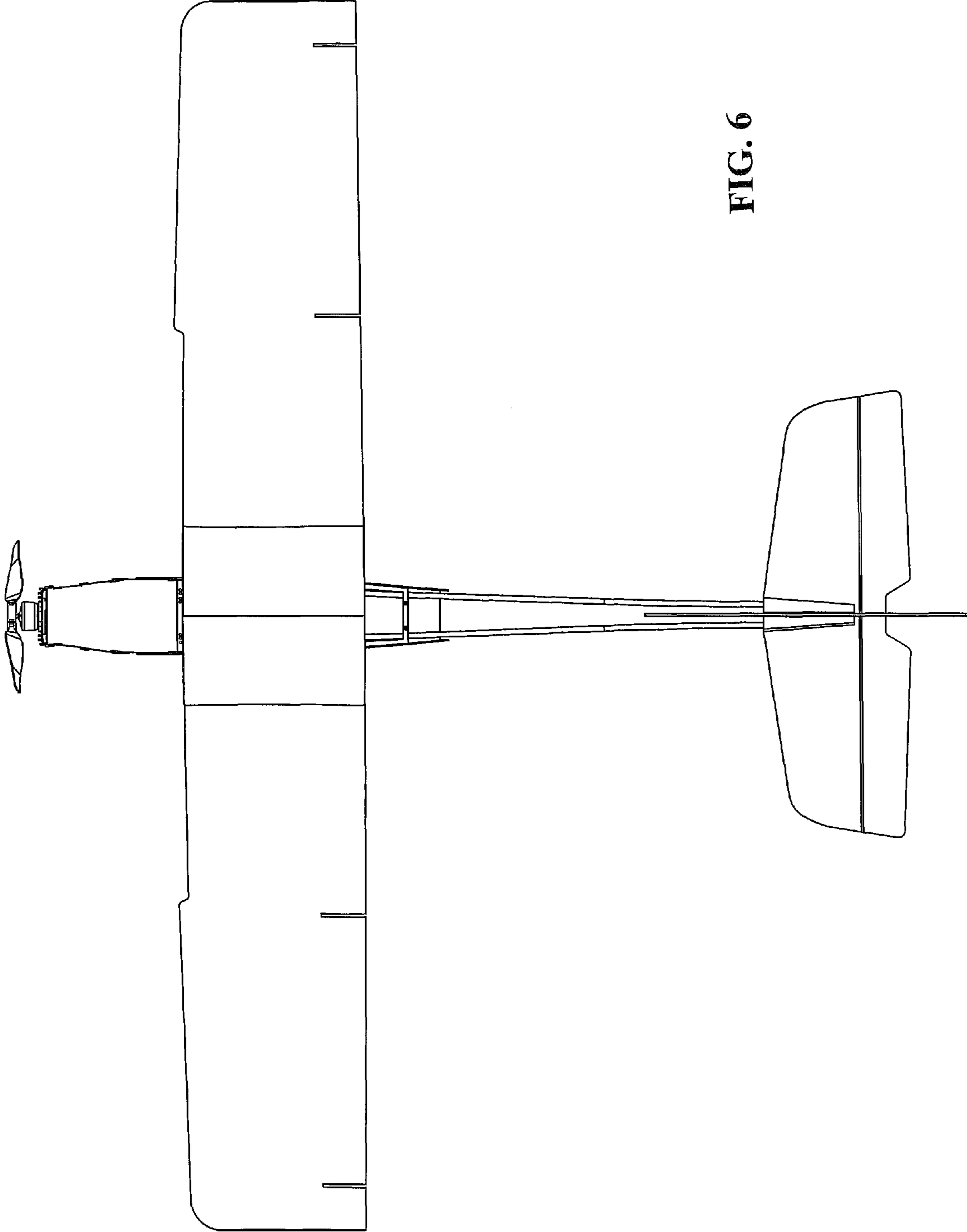


FIG. 6

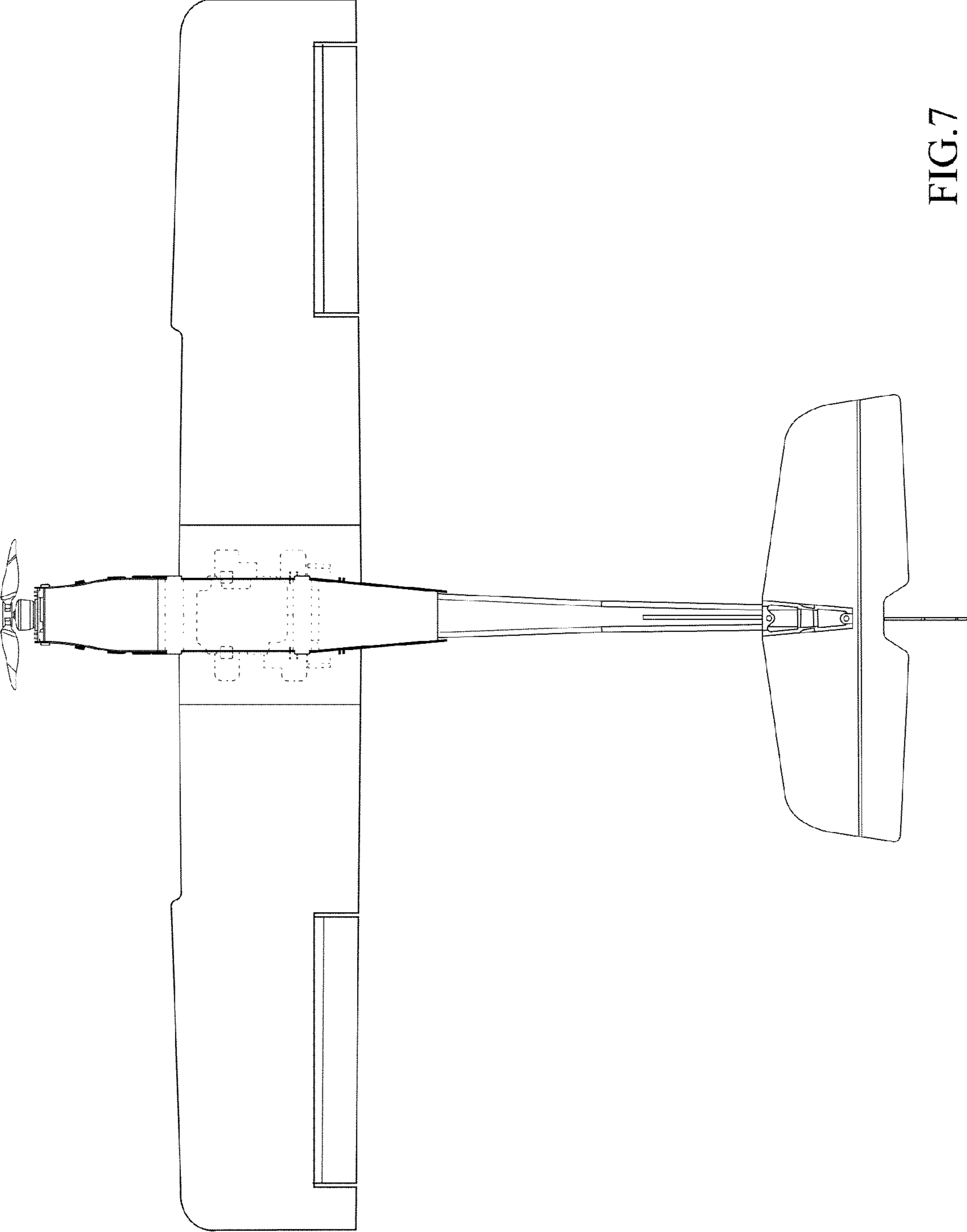


FIG.7