



US00D706676S

(12) **United States Design Patent**  
**Ohgaku et al.**

(10) **Patent No.:** **US D706,676 S**  
(45) **Date of Patent:** **\*\* Jun. 10, 2014**

- (54) **SLIDER FOR SLIDE FASTENER**
- (71) Applicant: **YKK Corporation**, Tokyo (JP)
- (72) Inventors: **Miyuki Ohgaku**, Toyama (JP); **Aya Shigematsu**, Toyama (JP)
- (73) Assignee: **YKK Corporation** (JP)
- (\*\*) Term: **14 Years**
- (21) Appl. No.: **29/476,758**
- (22) Filed: **Dec. 17, 2013**
- (30) **Foreign Application Priority Data**  
  - Jun. 20, 2013 (JP) ..... 2013-013958
- (51) **LOC (10) Cl.** ..... **02-07**
- (52) **U.S. Cl.**  
  - USPC ..... **D11/221**
- (58) **Field of Classification Search**  
  - USPC ..... D11/200, 201, 221; 24/381–383,  
24/385–387, 414–417, 421–422, 427–431,  
24/433, 424; 2/265; D2/641, 642; 294/3.6;  
223/118

See application file for complete search history.

- D498,434 S \* 11/2004 Iwase ..... D11/221
- D556,087 S \* 11/2007 Lin ..... D11/221
- D655,224 S \* 3/2012 Hamada et al. .... D11/221
- D673,076 S \* 12/2012 Hsiang et al. .... D11/221

\* cited by examiner

*Primary Examiner* — Ralf Seifert  
(74) *Attorney, Agent, or Firm* — Kilpatrick Townsend & Stockton LLP

(57) **CLAIM**  
The ornamental design for a slider for slide fastener, as shown and described.

**DESCRIPTION**

FIG. 1 is a perspective view of the front, bottom and right side of a slider for slide fastener showing my new design;  
FIG. 2 is a front view thereof;  
FIG. 3 is a rear view thereof;  
FIG. 4 is a right side view thereof, the left side view being mirror image thereof;  
FIG. 5 is a top plan view thereof; and,  
FIG. 6 is a bottom view thereof.

- (56) **References Cited**  
  - U.S. PATENT DOCUMENTS
  - D497,570 S \* 10/2004 Iwase ..... D11/221

**1 Claim, 6 Drawing Sheets**

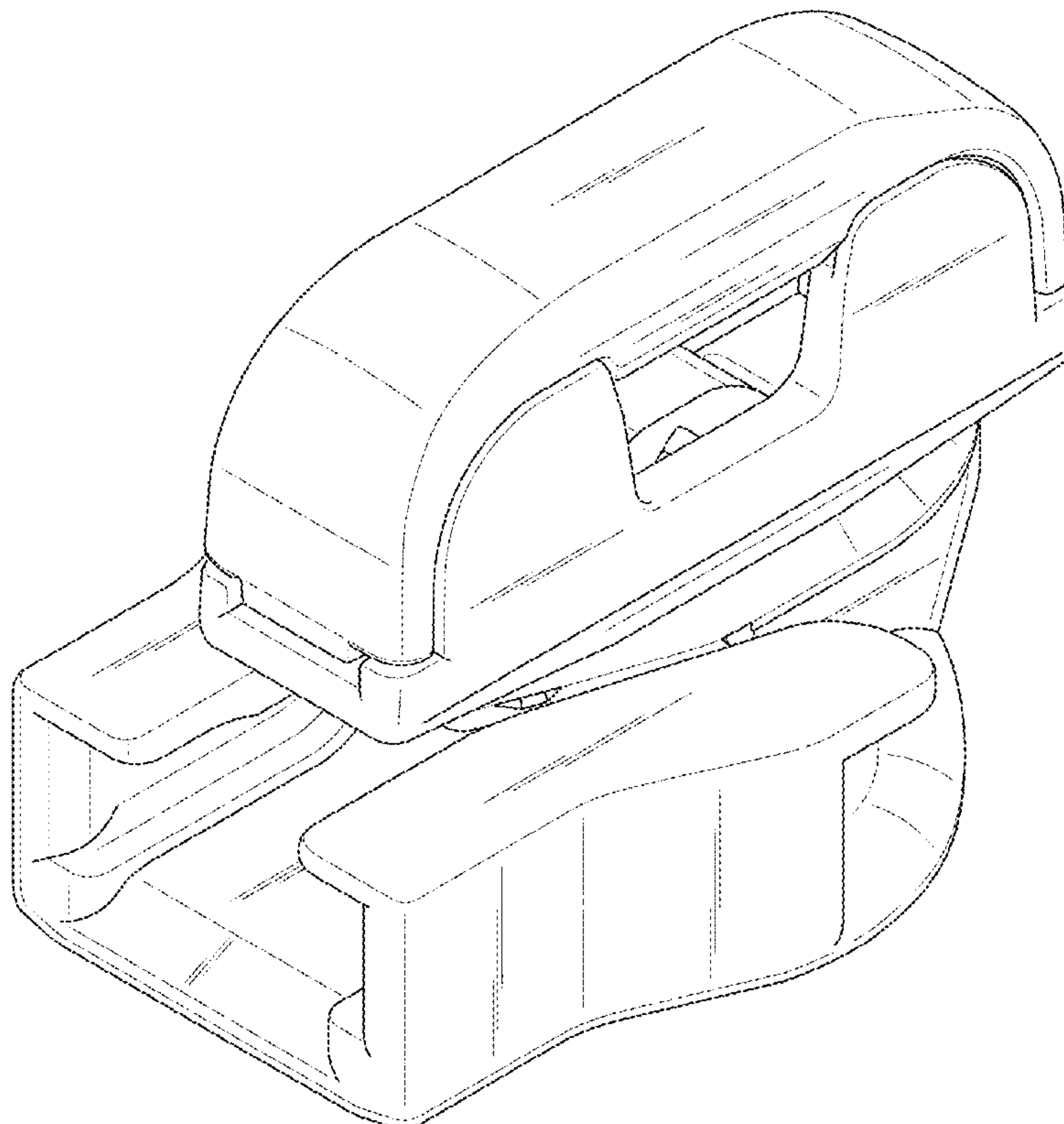


Fig. 1

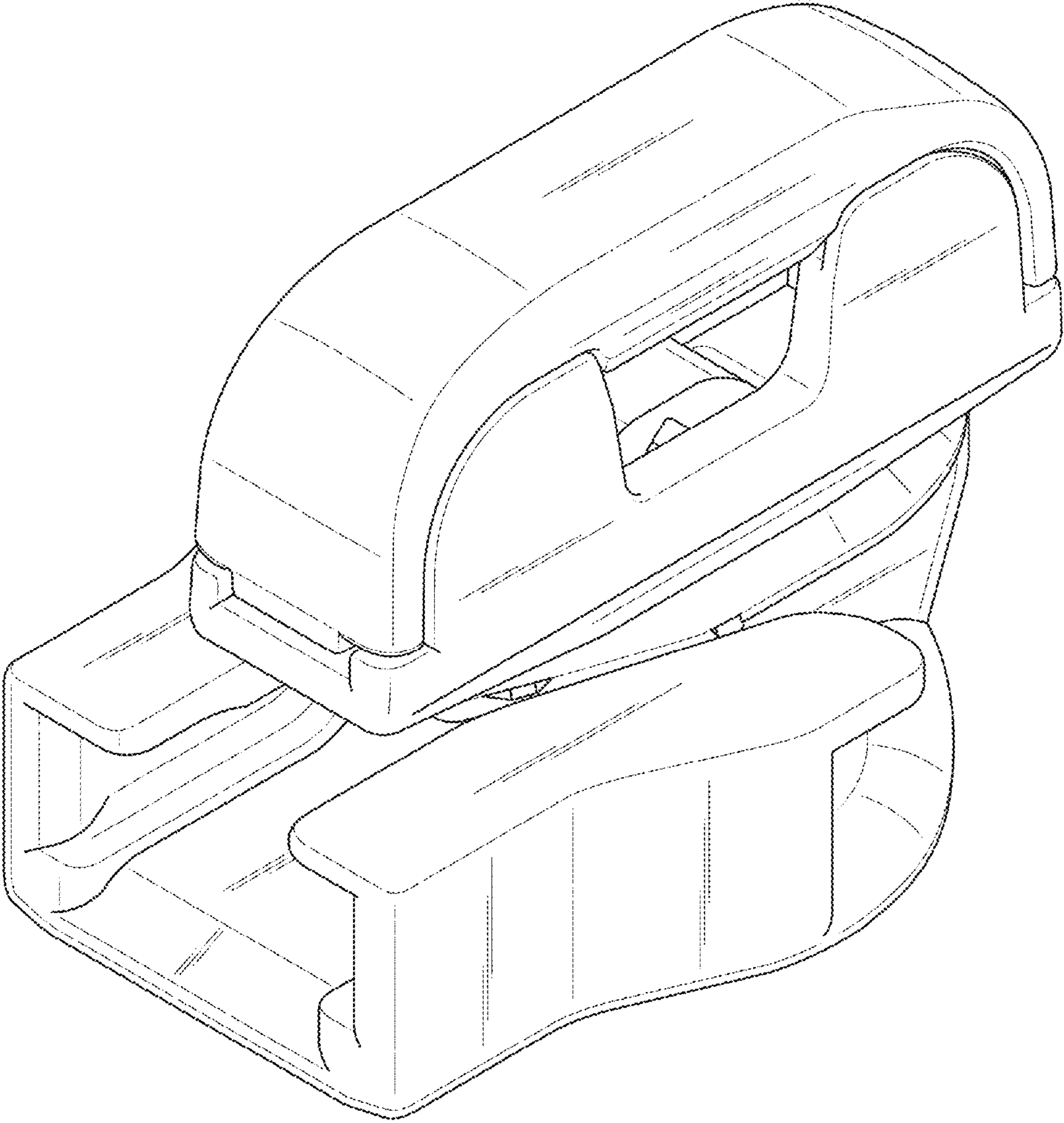


Fig. 2

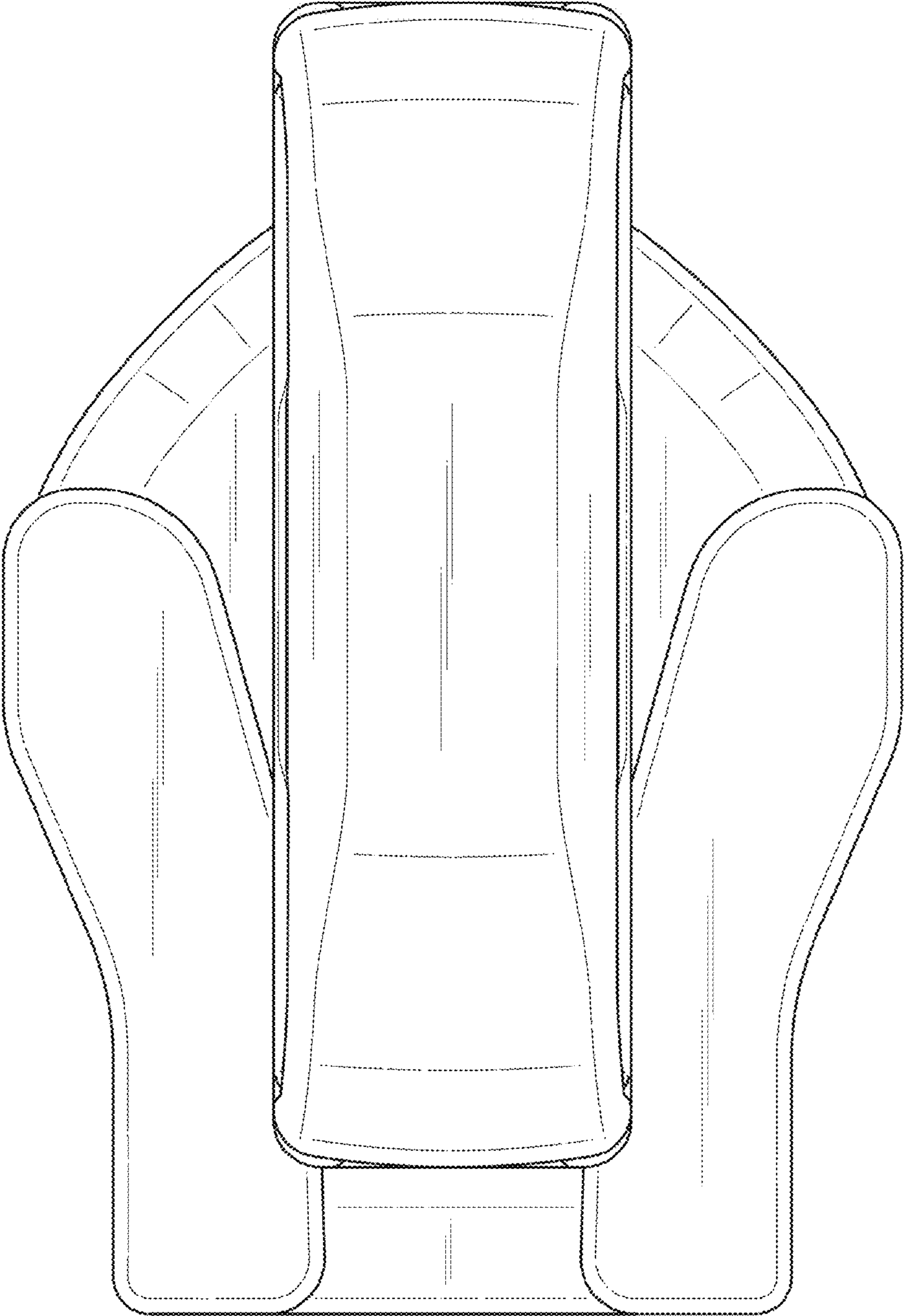


Fig. 3

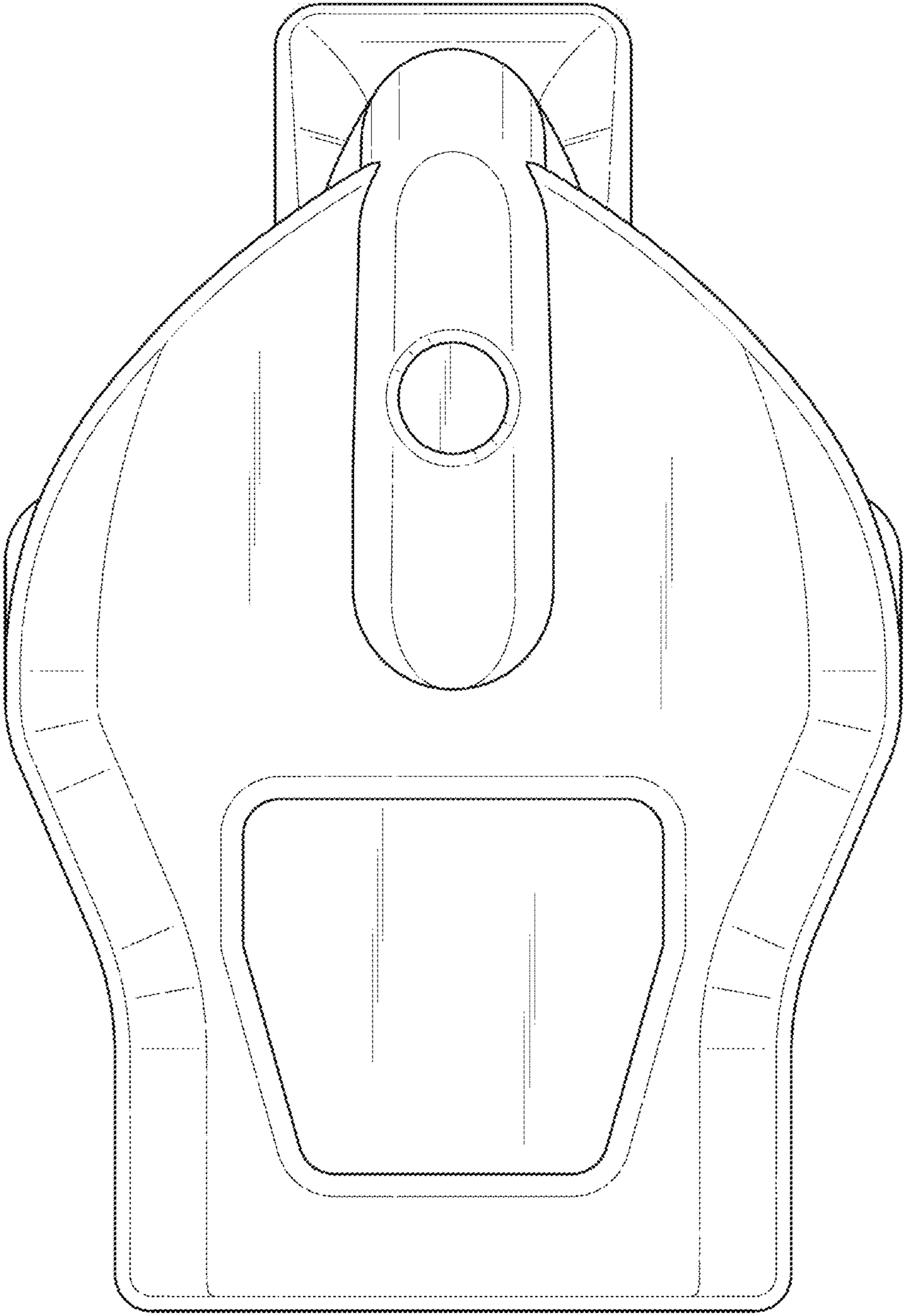




Fig. 4

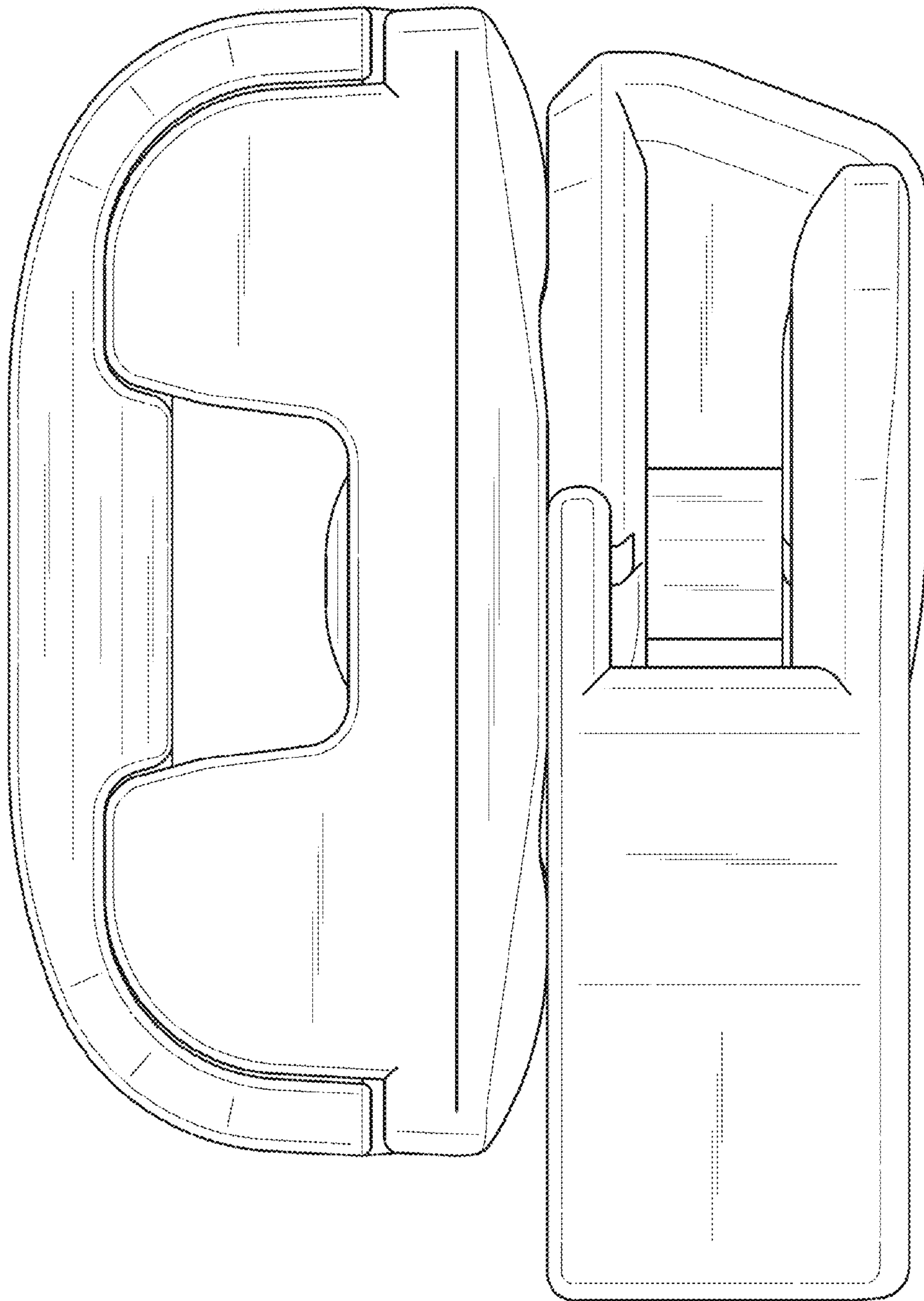


Fig. 5

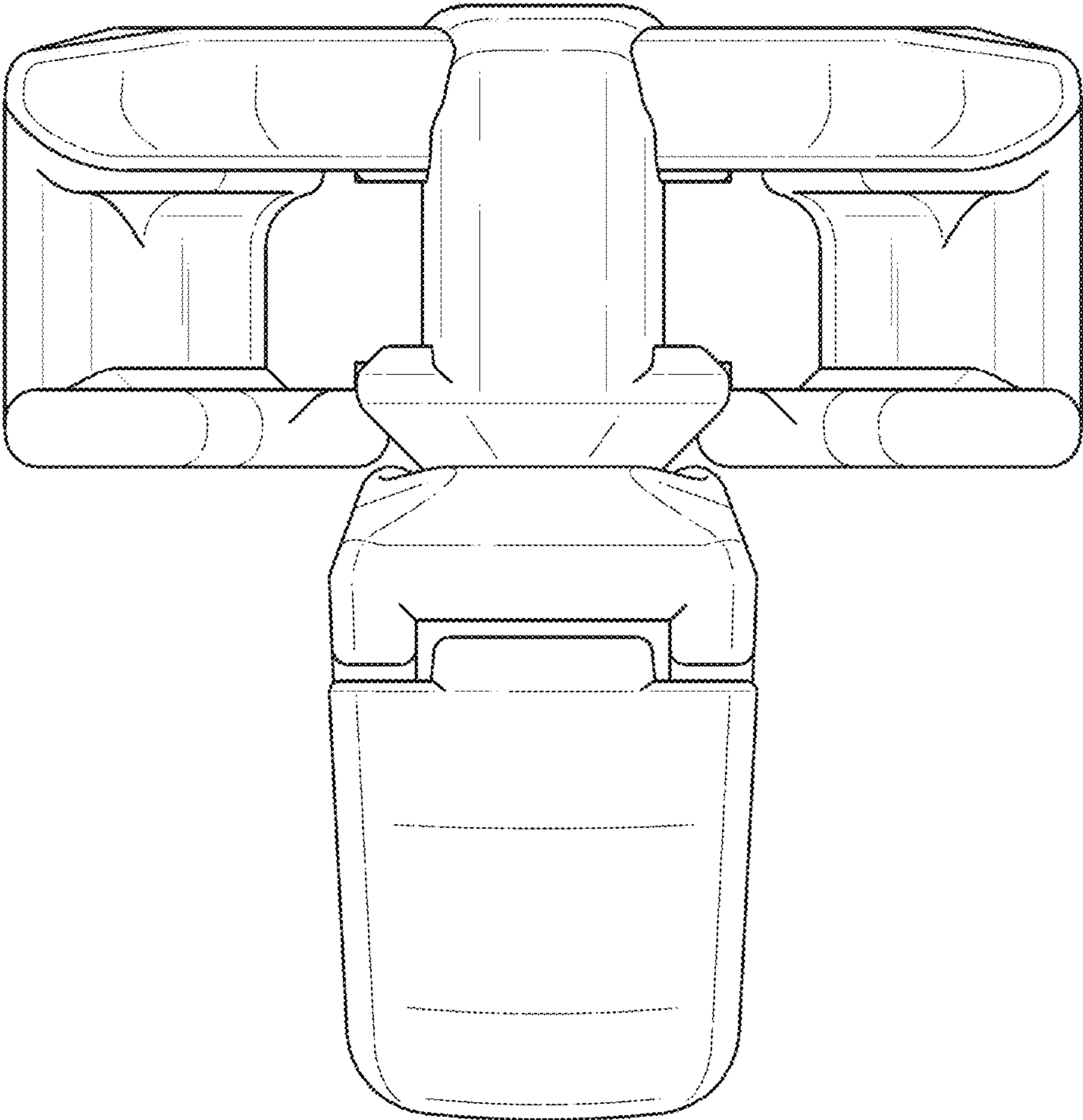


Fig. 6

