



US00D706671S

(12) **United States Design Patent**  
**Thuma et al.**

(10) **Patent No.:** **US D706,671 S**  
(45) **Date of Patent:** **\*\* Jun. 10, 2014**

(54) **WICKING PLANTER**

- (71) Applicant: **Suncast Technologies, LLC**, Palm Beach Gardens, FL (US)
- (72) Inventors: **Michael Thuma**, La Grange, IL (US); **Brian C. Donnelly**, Naperville, IL (US); **Michael R. Vogler**, Oswego, IL (US)
- (73) Assignee: **Suncast Technologies, LLC**, Palm Beach Gardens, FL (US)

(\*\*) Term: **14 Years**

(21) Appl. No.: **29/468,735**

(22) Filed: **Oct. 2, 2013**

(51) **LOC (10) Cl.** ..... **11-02**

(52) **U.S. Cl.**  
USPC ..... **D11/152**

(58) **Field of Classification Search**  
USPC ..... D6/403–405, 556–558; D11/143–156, D11/164; D19/77, 80, 81, 84; D26/9–11, D26/16, 19; D34/1, 2, 4–6; D99/5, 19; 47/17, 32.4, 32.5, 32.7, 33, 39, 41.01, 47/41.1, 41.11–41.15, 44–47, 63, 65.5, 47/65.9, 66.1, 66.2, 66.6, 66.7, 67–71

See application file for complete search history.

(56) **References Cited**

**U.S. PATENT DOCUMENTS**

D257,107	S	*	9/1980	Daenen et al.	.....	D7/586
D356,754	S	*	3/1995	Schmidt et al.	.....	D11/152
D385,213	S	*	10/1997	McAllister	.....	D11/156
D439,545	S	*	3/2001	Grosfillex	.....	D11/152
D496,272	S	*	9/2004	Jackson et al.	.....	D9/425
D544,790	S	*	6/2007	Bouveret et al.	.....	D9/428
D548,588	S	*	8/2007	Bouveret et al.	.....	D9/428
D588,496	S	*	3/2009	White	.....	D11/156
D634,669	S	*	3/2011	Brandstatter	.....	D11/152
D645,738	S	*	9/2011	Shiffer et al.	.....	D9/428
D646,160	S	*	10/2011	Shiffer et al.	.....	D9/428
D665,961	S	*	8/2012	Cohn	.....	D34/1

**OTHER PUBLICATIONS**

House Tweaking by Dana dated Mar. 20, 2012. found online [Jan. 3, 2014] <http://www.housetweaking.com/2012/03/20/a-clawfoot-tub-declawed/>.\*

Achla Large Oval Tub Planter by Wayfair dated Nov. 14, 2012. found online [Jan. 3, 2014] <http://www.wayfair.com/ACHLA-Large-Oval-Tub-Planter-C-55-ACH1202.html>.\*

Self-Watering Window Box by Bloem Living dated Mar. 27, 2013. found online [Jan. 3, 2014] [http://www.amazon.com/Bloem-Living-LWB1856-Self-Watering-18-Inch/product-reviews/B00AC2SQOI/ref=cm\\_cr\\_pr\\_top\\_recent?ie=UTF8&showViewpoints=0&sortBy=bySubmissionDateDescending](http://www.amazon.com/Bloem-Living-LWB1856-Self-Watering-18-Inch/product-reviews/B00AC2SQOI/ref=cm_cr_pr_top_recent?ie=UTF8&showViewpoints=0&sortBy=bySubmissionDateDescending).\*

Arugula Fresh by Northwest dated Sep. 10, 2010. found online [Jan. 3, 2014] <http://freshbynorthwest.com/?p=2928>.\*

\* cited by examiner

*Primary Examiner* — Robert M Spear

*Assistant Examiner* — Marissa Cash

(74) *Attorney, Agent, or Firm* — McHale & Slavin, P.A.

(57) **CLAIM**

The ornamental design for a wicking planter, as shown and described.

**DESCRIPTION**

FIG. 1 is a top right perspective view of the wicking planter of the present invention;

FIG. 2 is a top left perspective view thereof;

FIG. 3 is a left side view thereof;

FIG. 4 is a right side view thereof;

FIG. 5 is a front view thereof;

FIG. 6 is a rear view thereof;

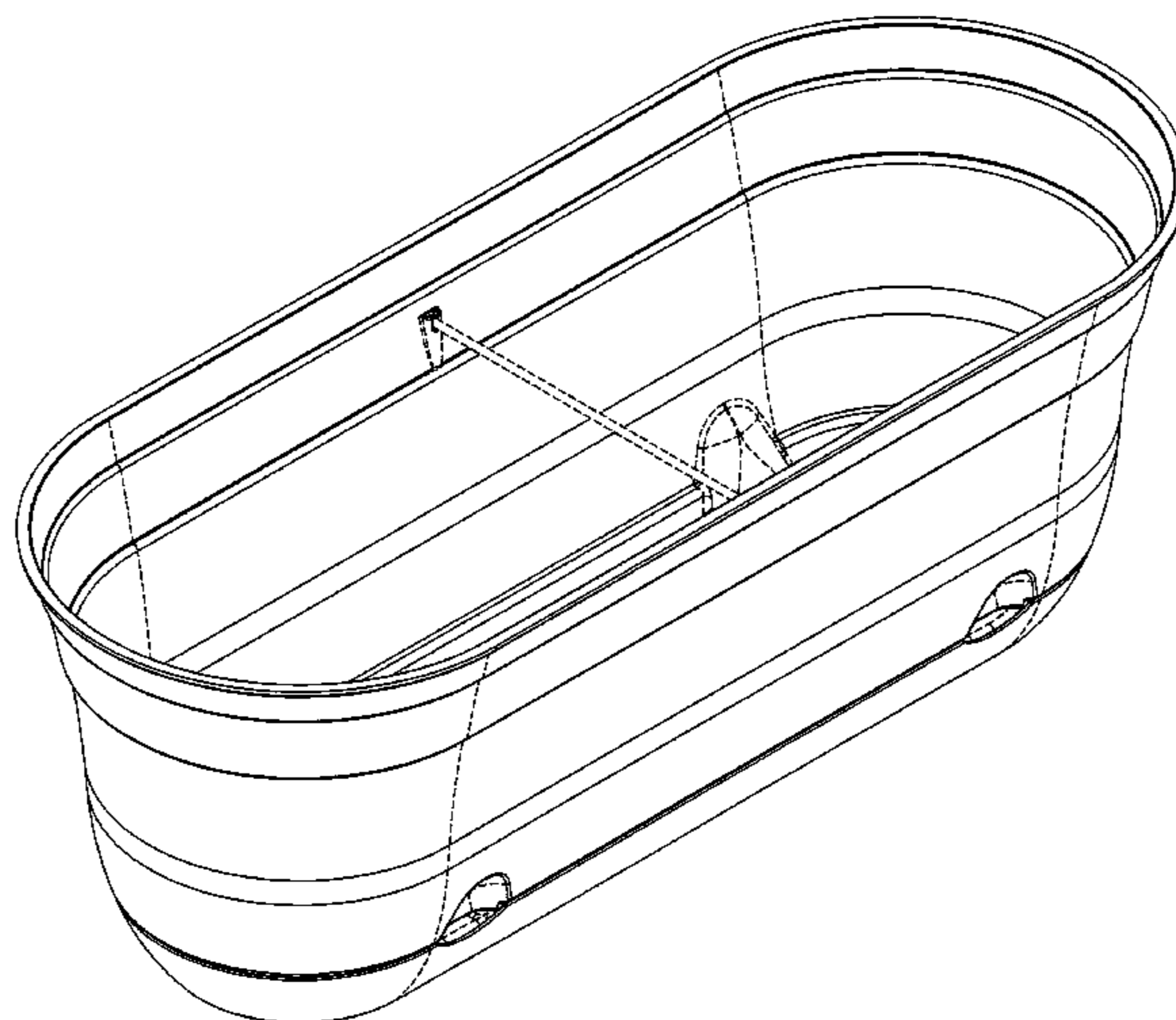
FIG. 7 is a bottom view thereof;

FIG. 8 is a top view thereof; and,

FIG. 9 is a bottom left perspective view thereof.

The portions of the wicking planter illustrated in broken lines form no part of the claimed subject matter.

**1 Claim, 8 Drawing Sheets**



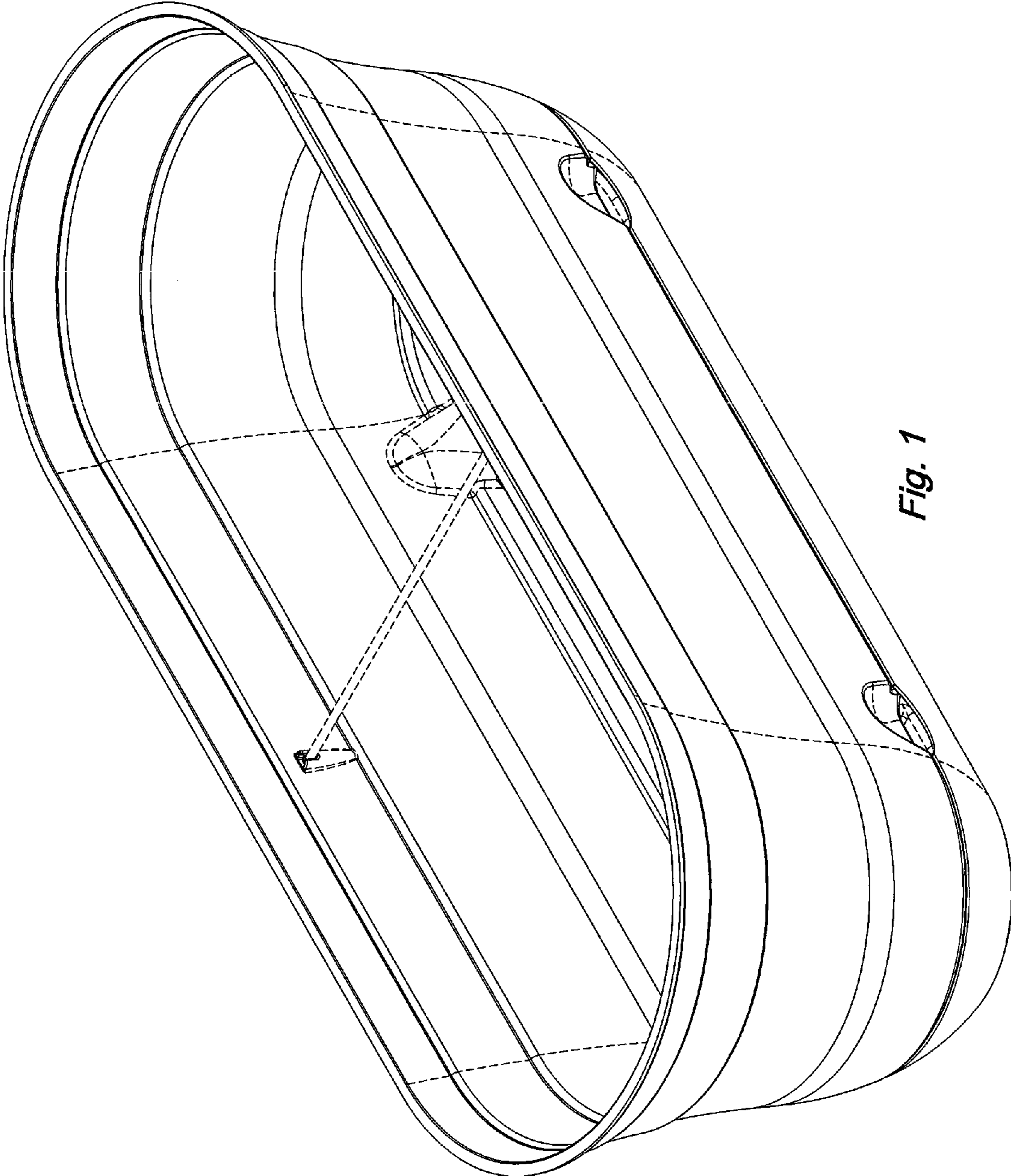


Fig. 1

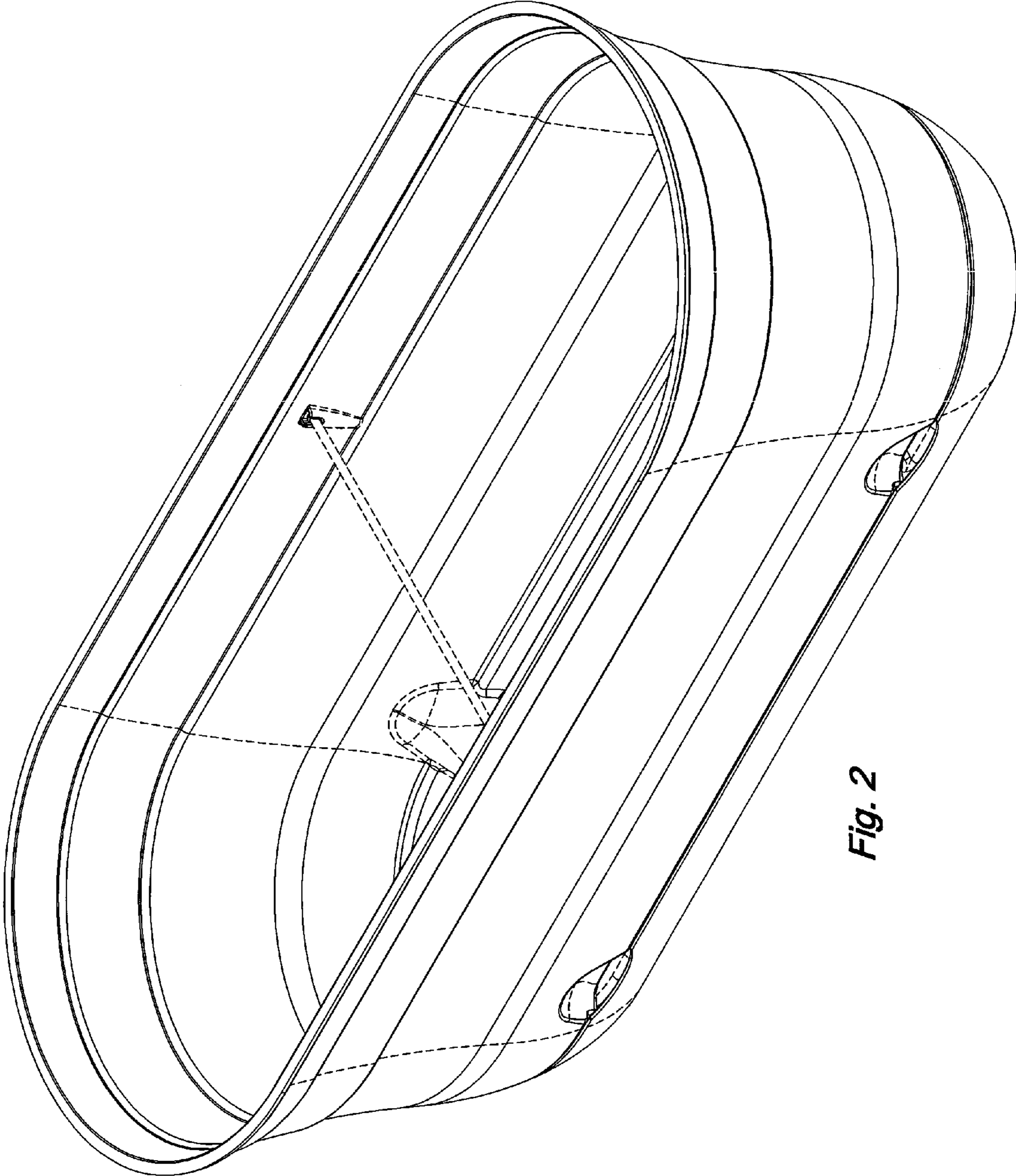
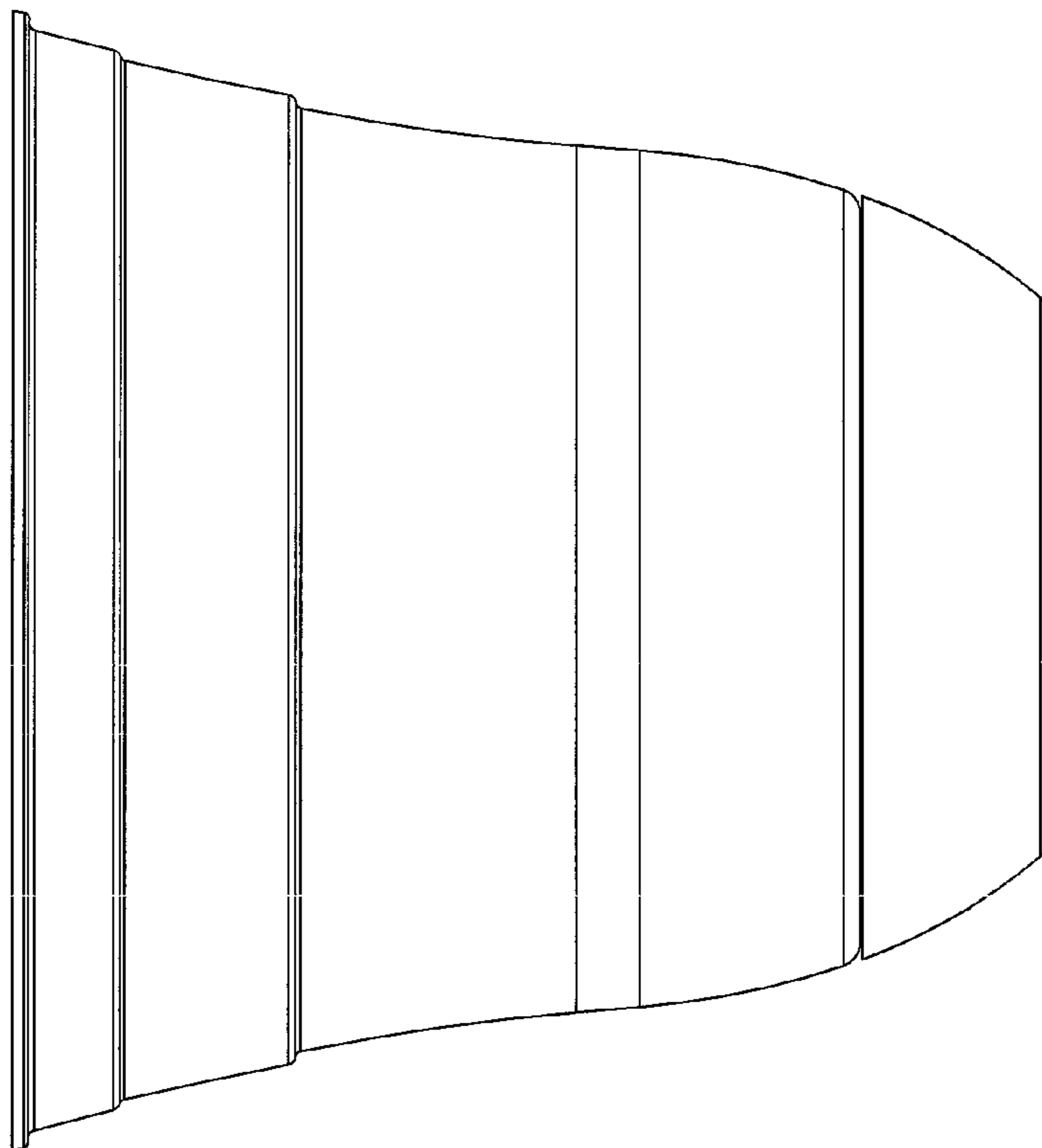
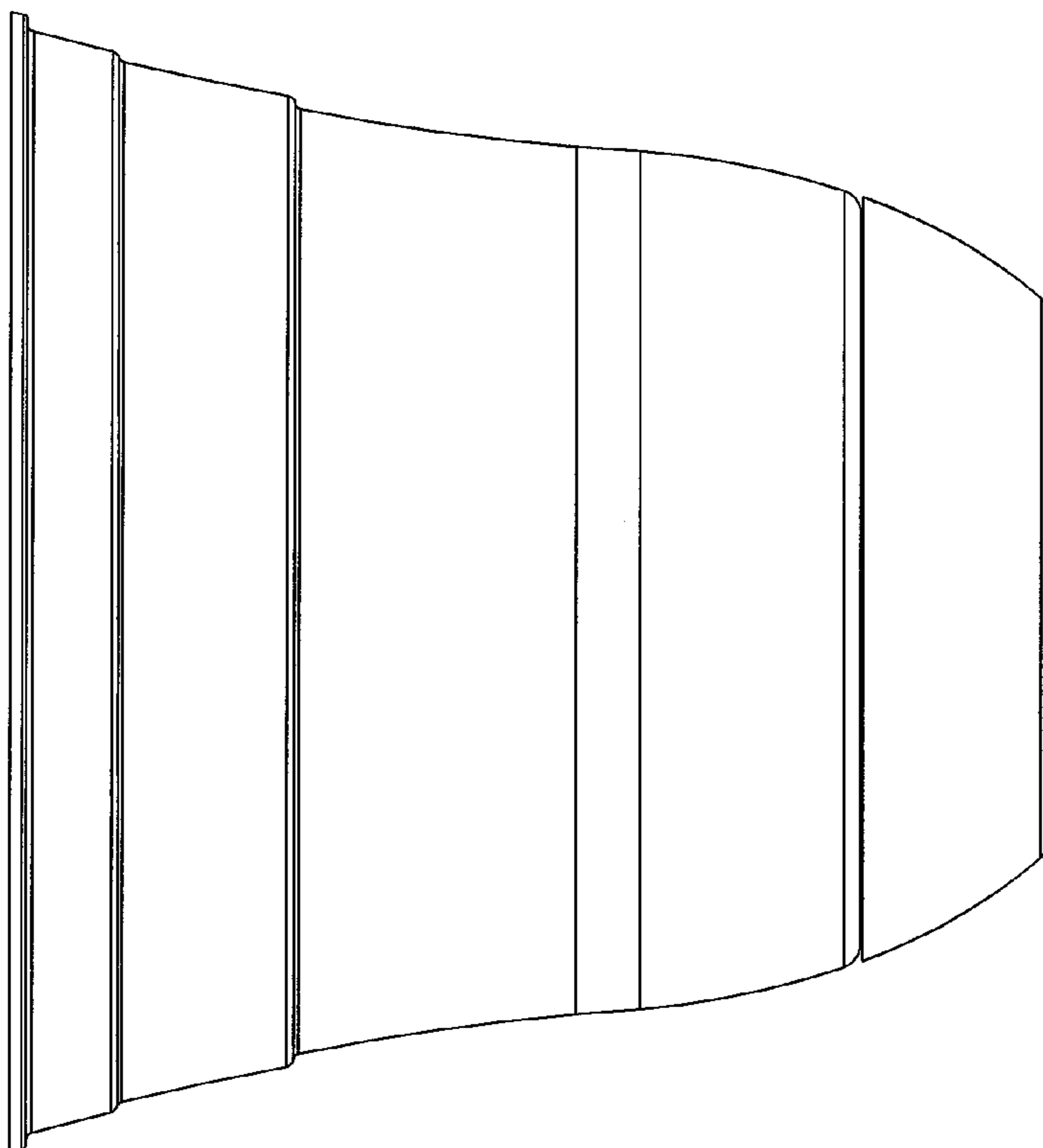


Fig. 2





*Fig. 3*



*Fig. 4*

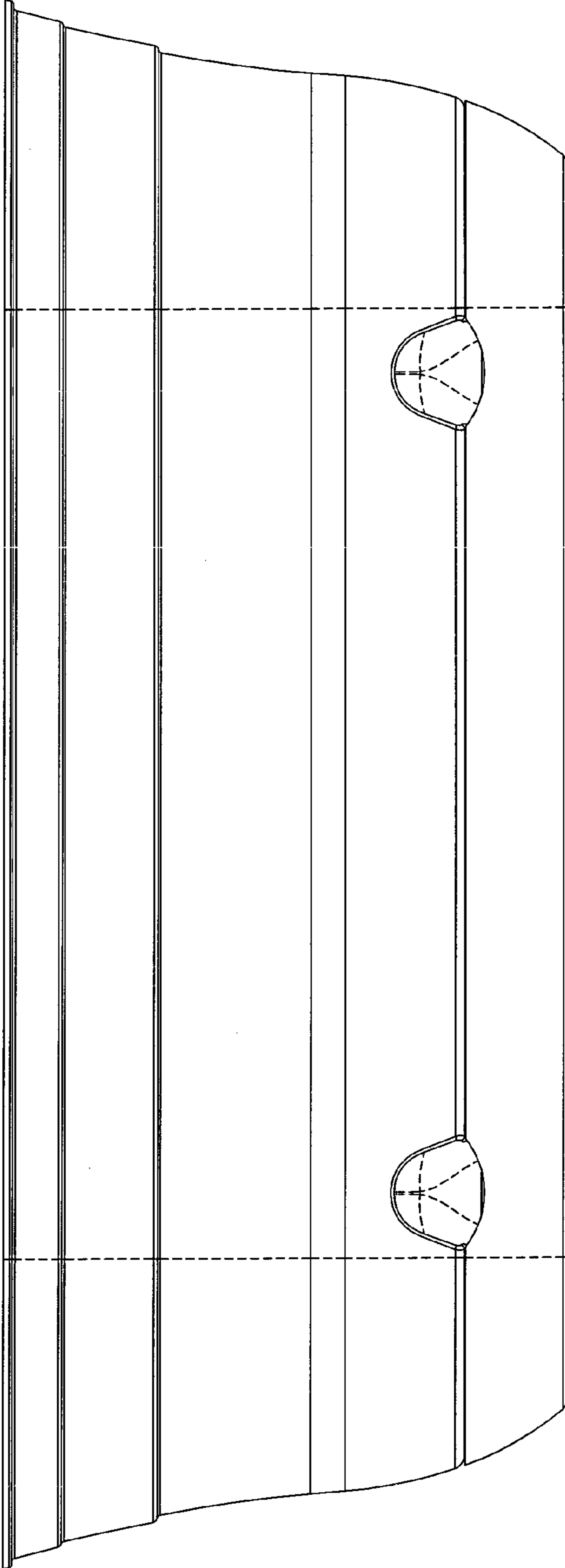


Fig. 5



Fig. 6

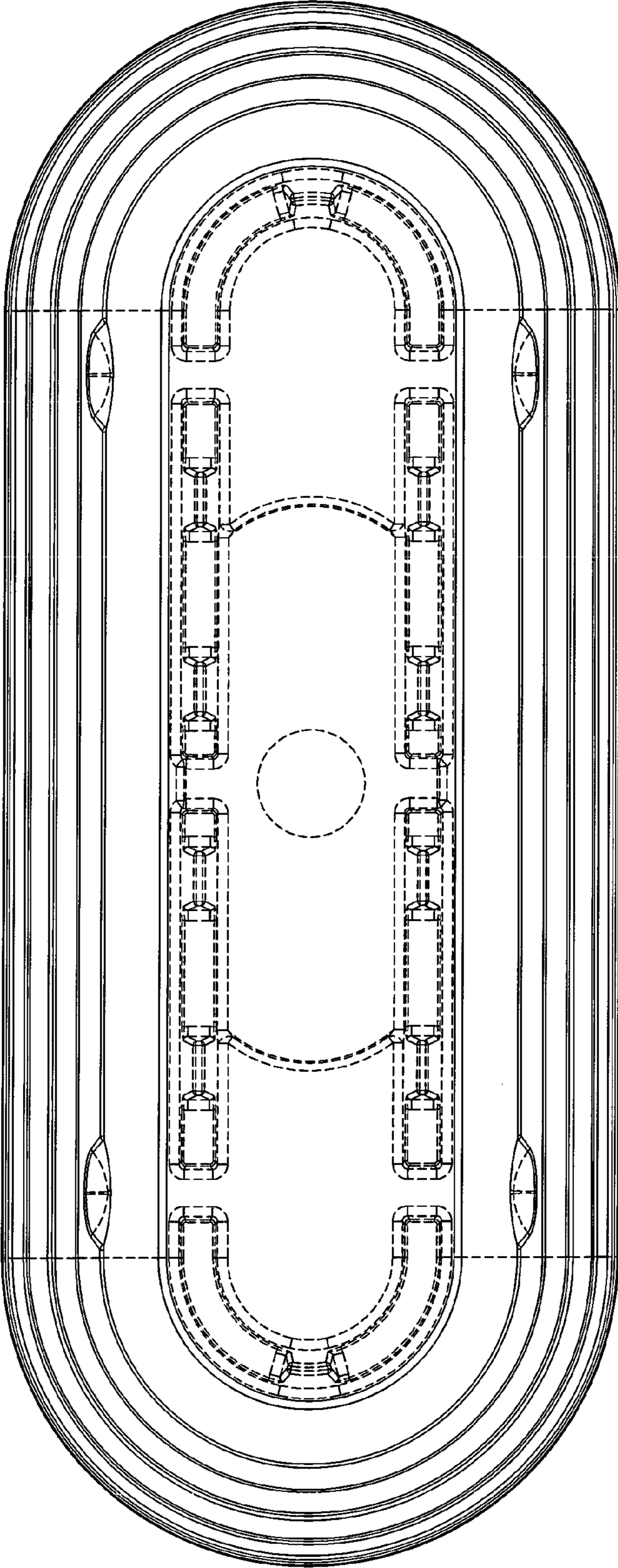


Fig. 7

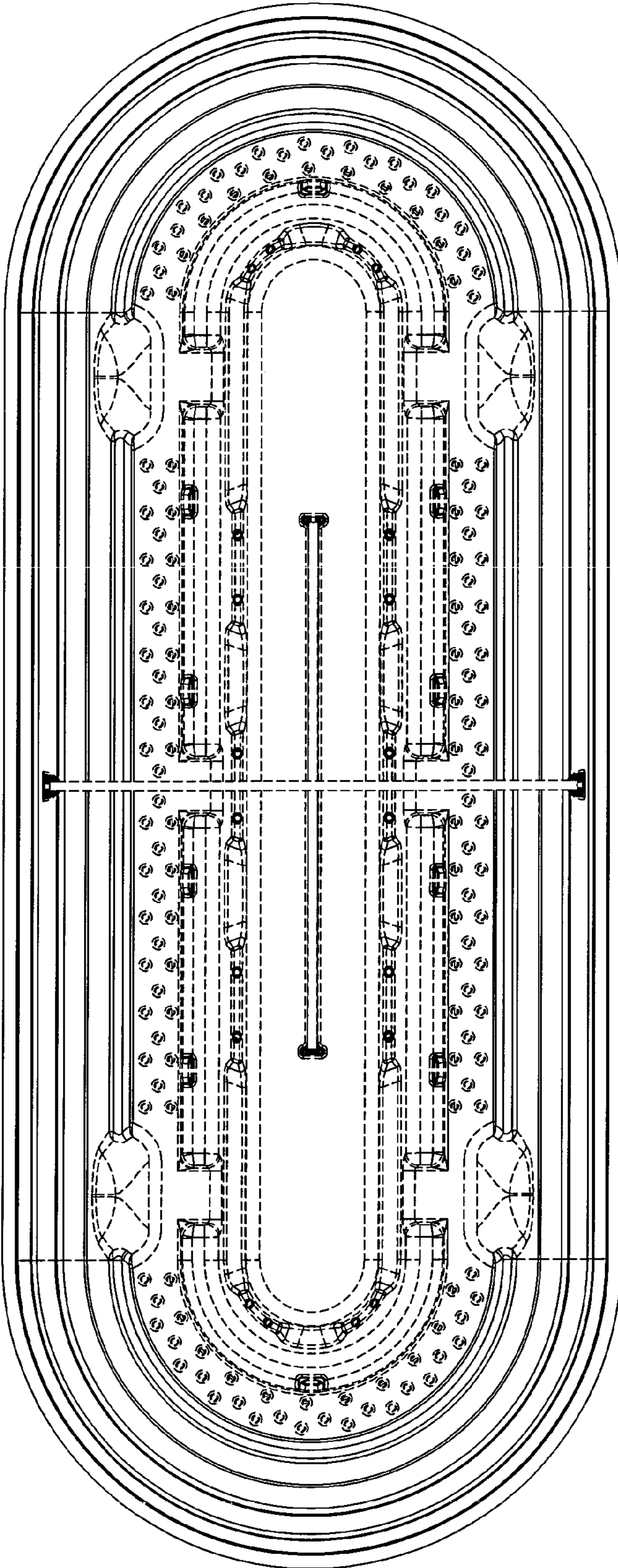


Fig. 8



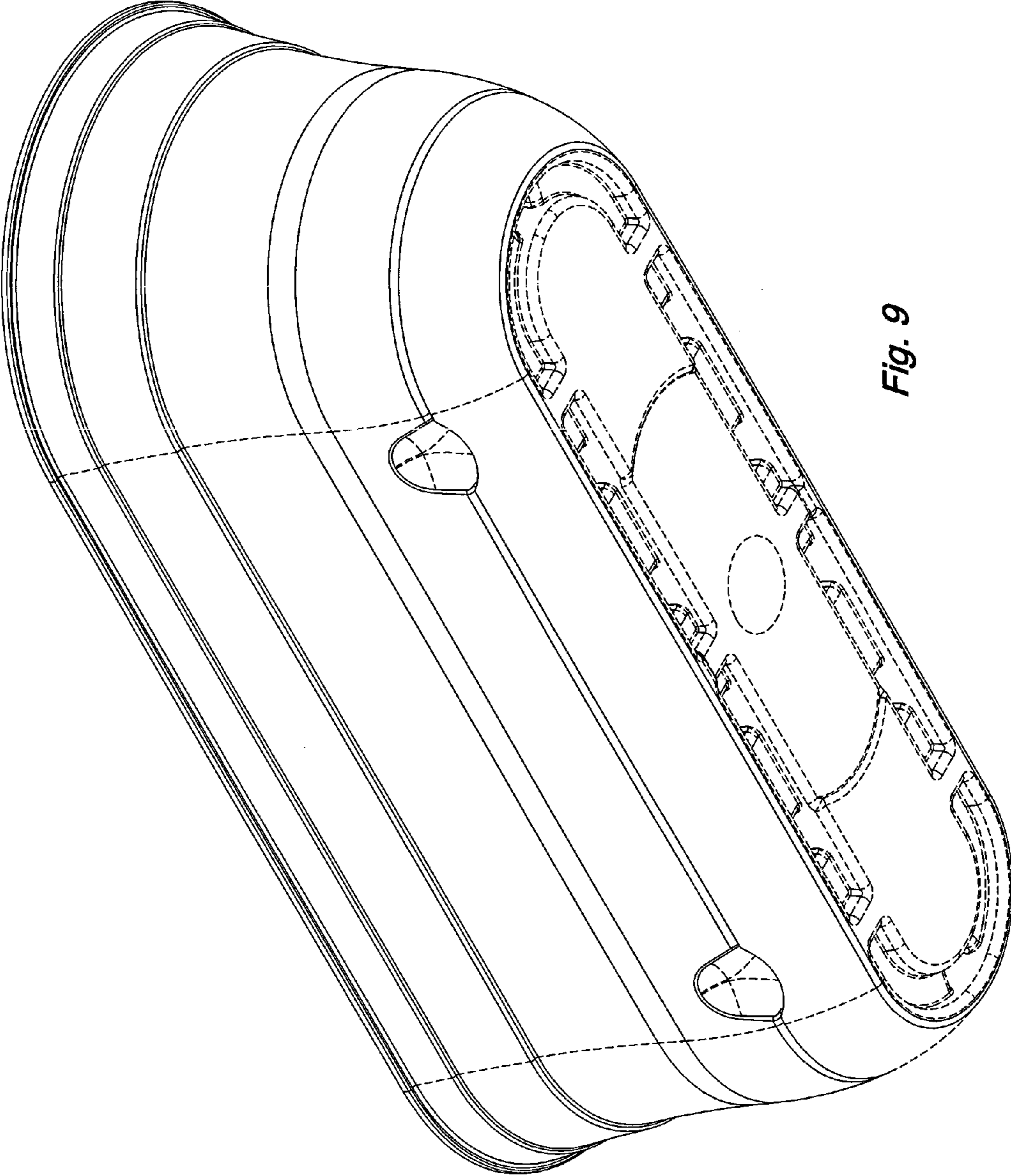


Fig. 9