



US00D706670S

(12) **United States Design Patent**
Cobos

(10) **Patent No.:** **US D706,670 S**
(45) **Date of Patent:** **** Jun. 10, 2014**

- (54) **EMBOSSSED EASTER STYLE EGG**
- (71) Applicant: **Darice Cobos**, Simi Valley, CA (US)
- (72) Inventor: **Darice Cobos**, Simi Valley, CA (US)
- (73) Assignee: **EGGLO Entertainment LLC**, Simi Valley, CA (US)
- (**) Term: **14 Years**
- (21) Appl. No.: **29/453,176**
- (22) Filed: **Apr. 25, 2013**
- (51) **LOC (10) Cl.** **11-05**
- (52) **U.S. Cl.**
USPC **D11/121**
- (58) **Field of Classification Search**
USPC D11/117, 121, 122, 125, 131, 157;
D99/25, 27; D1/106, 127, 199; 428/3,
428/7, 8, 9, 11
See application file for complete search history.

- D370,282 S * 5/1996 Grether D26/4
- 5,545,069 A * 8/1996 Glynn et al. 446/73
- D373,552 S * 9/1996 Lownsbury D11/121
- D373,744 S 9/1996 Wotton
- D376,222 S * 12/1996 Jameson, Jr. D26/118
- 5,808,215 A 9/1998 Cohen
- D421,216 S 2/2000 Abrams et al.
- D442,650 S 5/2001 Allen
- D478,681 S 8/2003 Newcomb
- D601,921 S * 10/2009 Caruso D11/124
- 2002/0033397 A1 3/2002 Henson
- 2007/0017915 A1 1/2007 Weder et al.
- 2011/0204049 A1 8/2011 Weder et al.

* cited by examiner

Primary Examiner — Elizabeth J Oswecki
(74) *Attorney, Agent, or Firm* — Law Office of Ken Dallara;
Ken Dallara

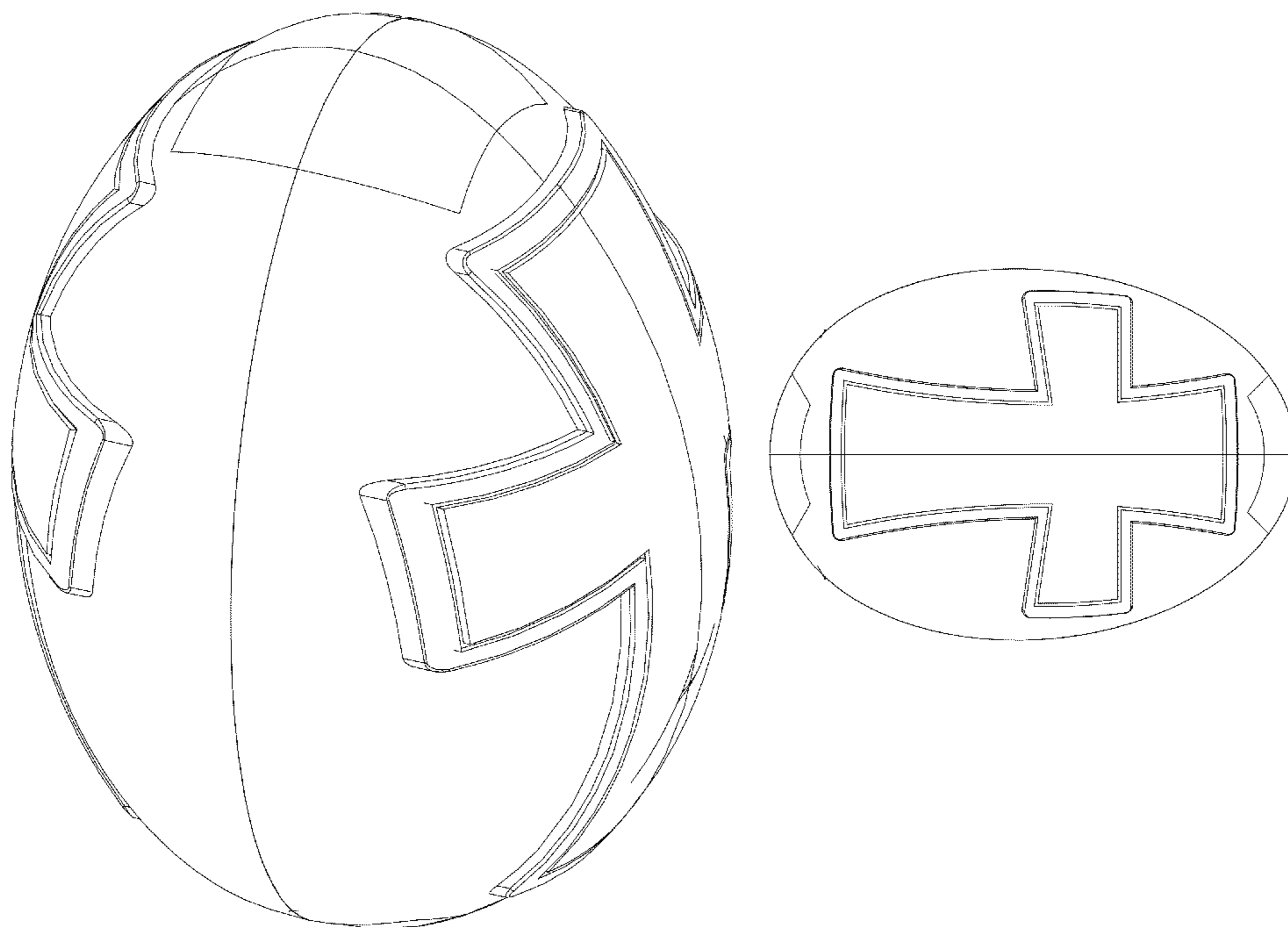
(57) **CLAIM**
The ornamental design for an embossed Easter style egg, as shown and described.

DESCRIPTION

FIG. 1 is a top, left side, isometric view of an embossed Easter style egg showing my new design;
FIG. 2 is a front elevation view thereof;
FIG. 3 is a right side elevation view thereof;
FIG. 4 is a bottom, right side, isometric view thereof;
FIG. 5 is a top, right side, isometric view thereof;
FIG. 6 is a top plan view thereof;
FIG. 7 is a bottom plan view thereof; and,
FIG. 8 is a left side elevation view thereof.
All surfaces not shown form no part of the claimed design.

1 Claim, 4 Drawing Sheets

- (56) **References Cited**
U.S. PATENT DOCUMENTS
- D21,150 S * 11/1891 Vandenburg D19/97
- D24,494 S * 7/1895 Hilbert D11/117
- D48,150 S * 11/1915 Brucker D21/440
- D178,164 S * 6/1956 West D11/131
- 2,815,439 A * 12/1957 Plubell 40/540
- D205,410 S * 8/1966 Gerlat D26/94
- 4,124,135 A 11/1978 Weder et al.
- D260,625 S * 9/1981 Schoolcraft D11/131
- D262,273 S * 12/1981 Kaufmann D11/117
- D312,845 S 12/1990 Matsuda
- D346,134 S * 4/1994 Chin-Sheng D11/131



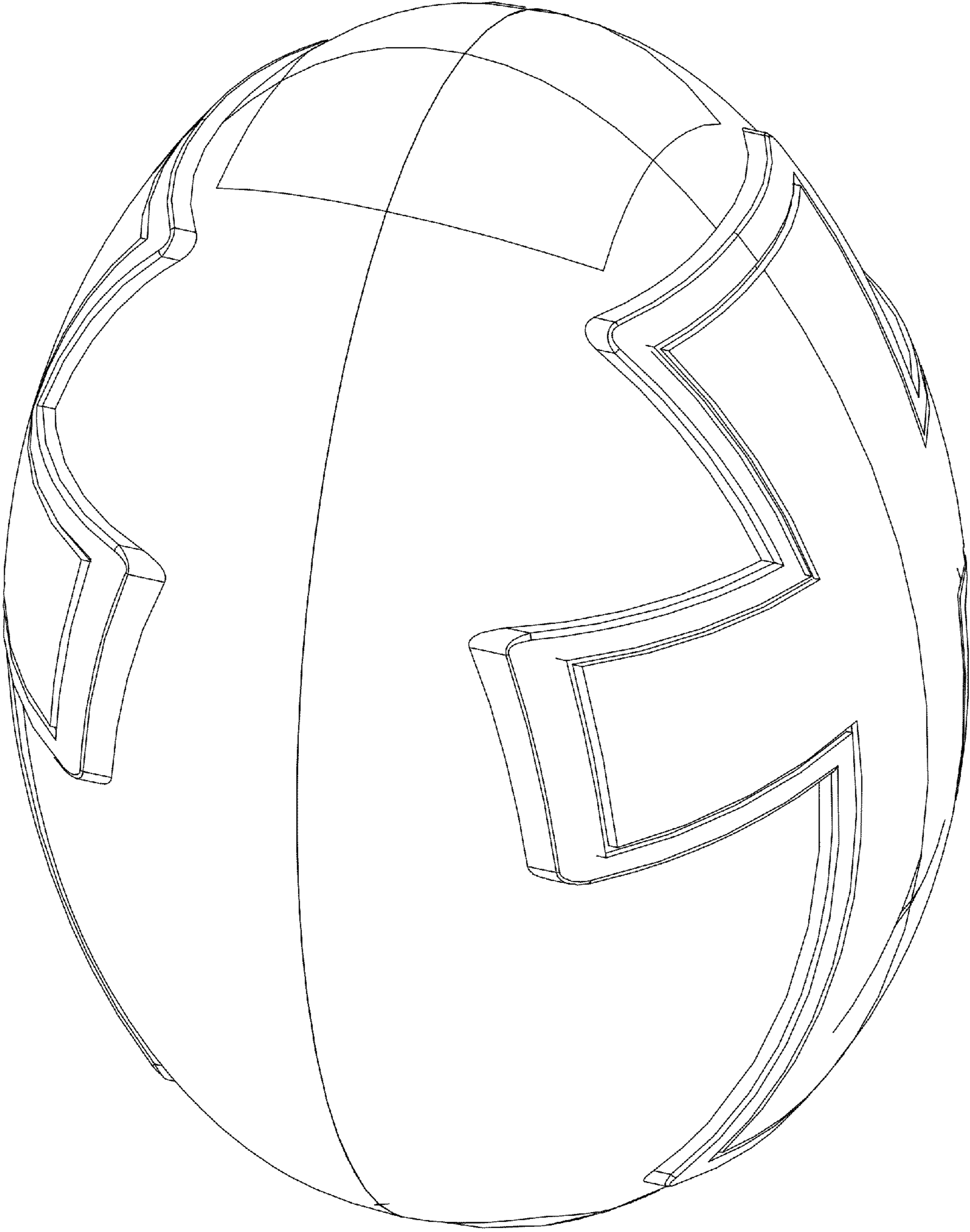


FIG. 1

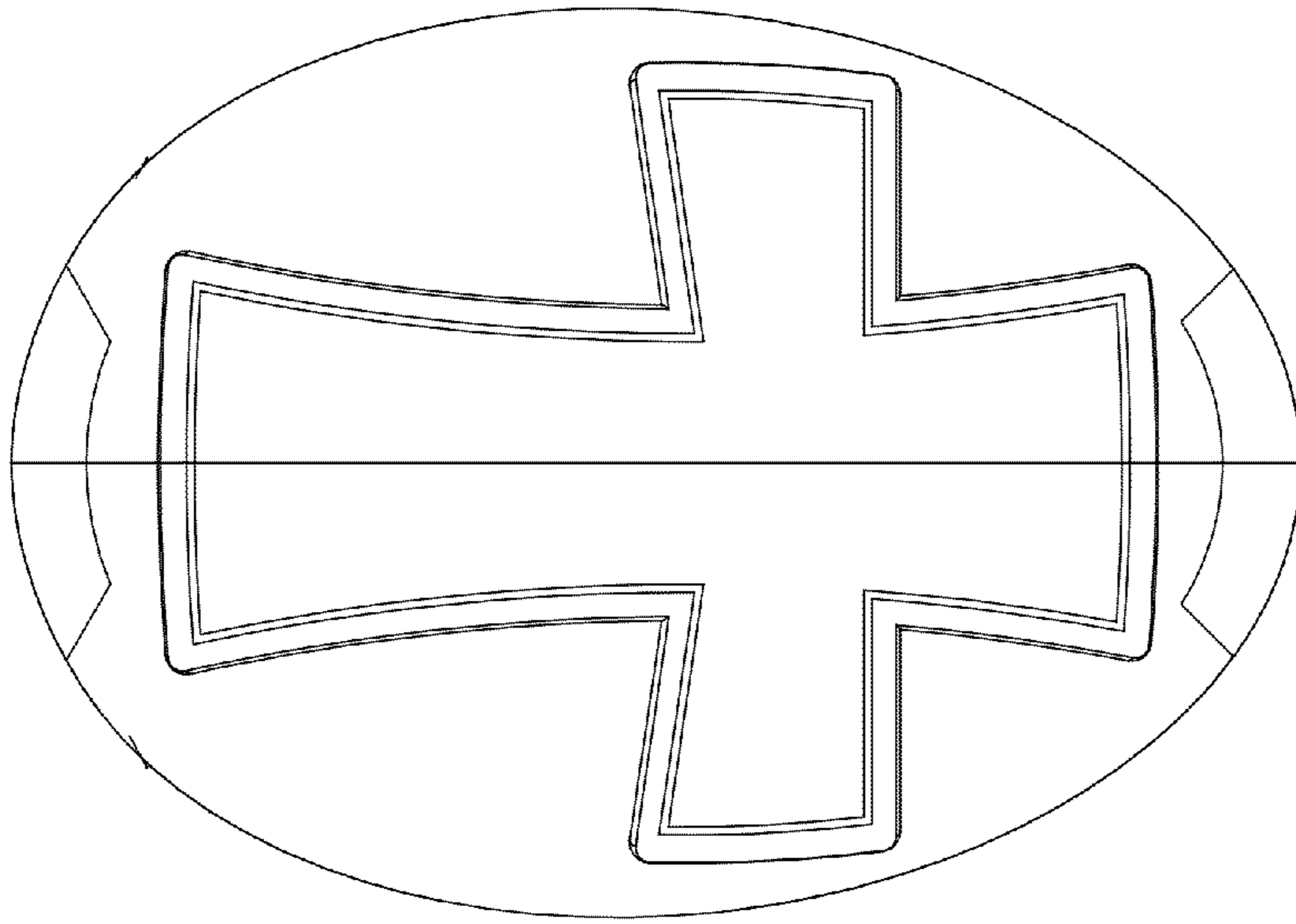


FIG 2

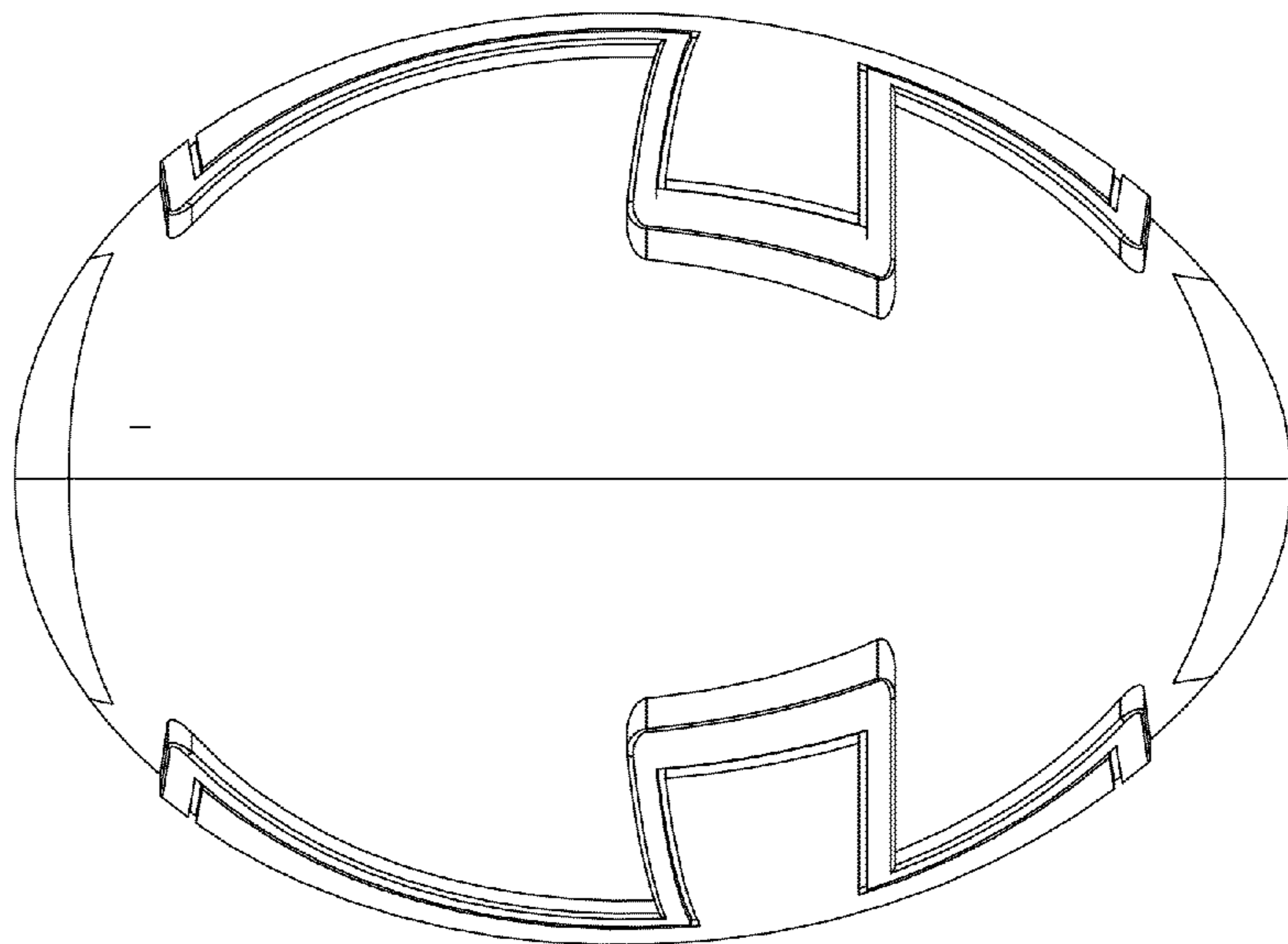


FIG 3

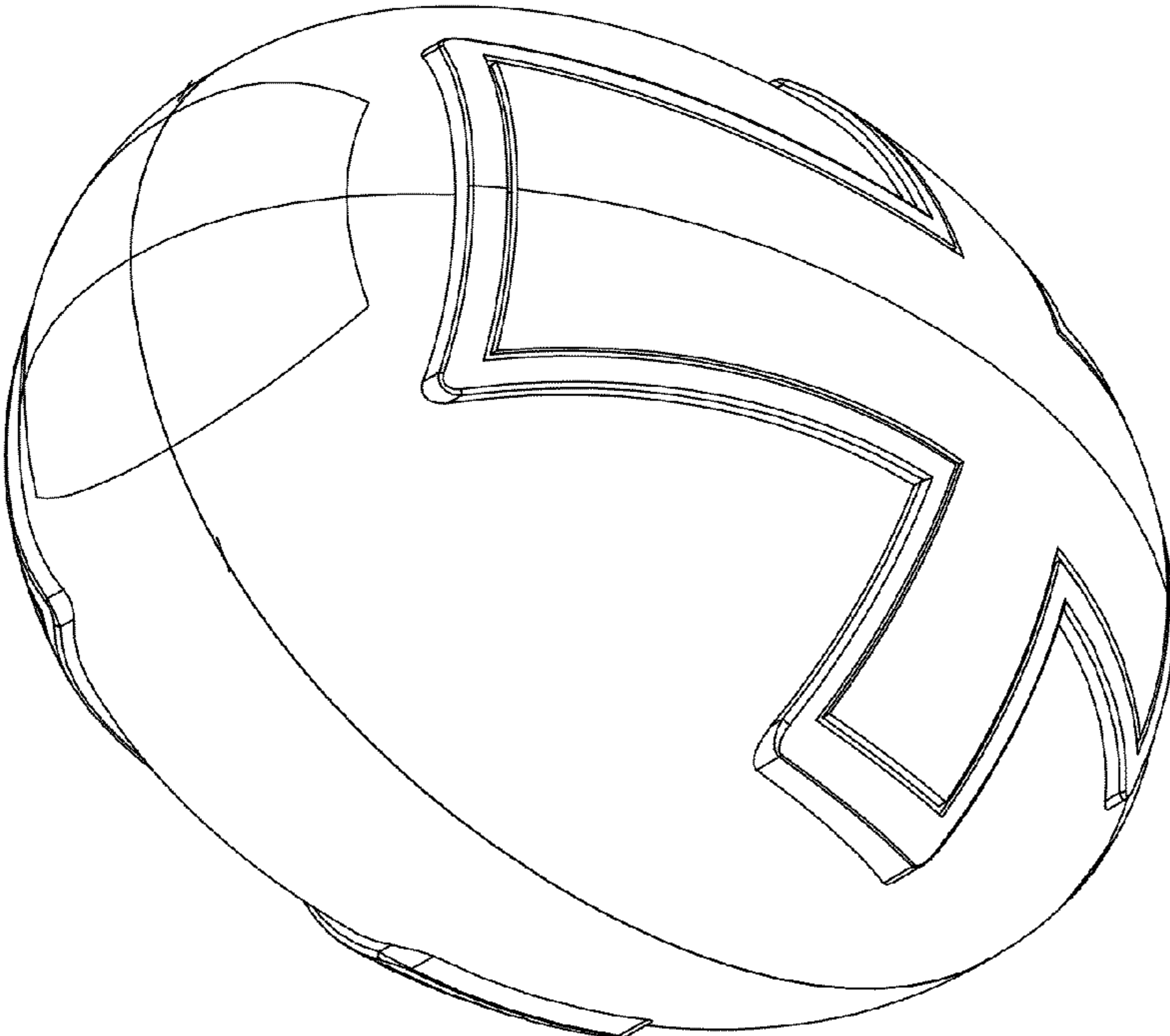


FIG. 4

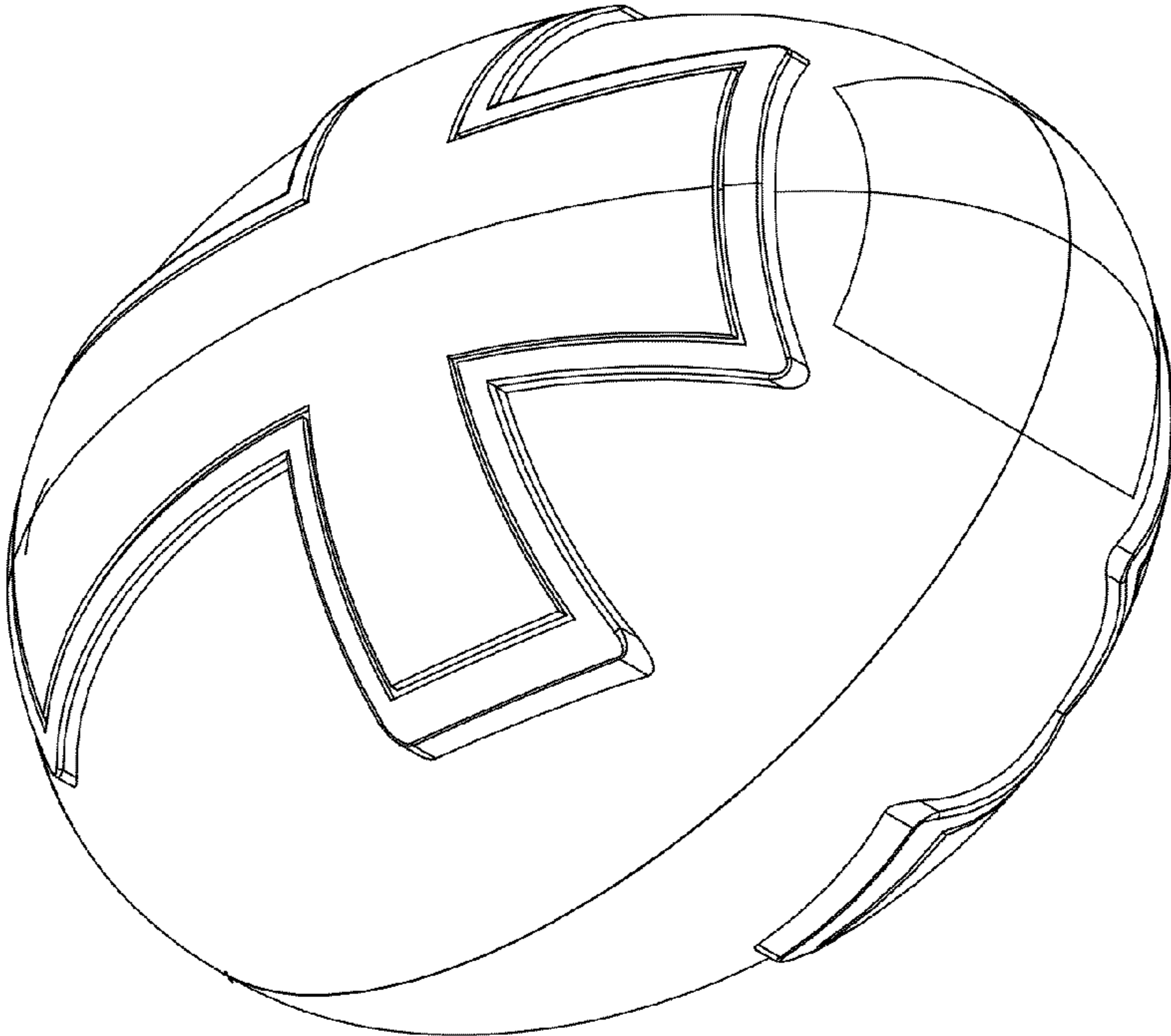


FIG. 5

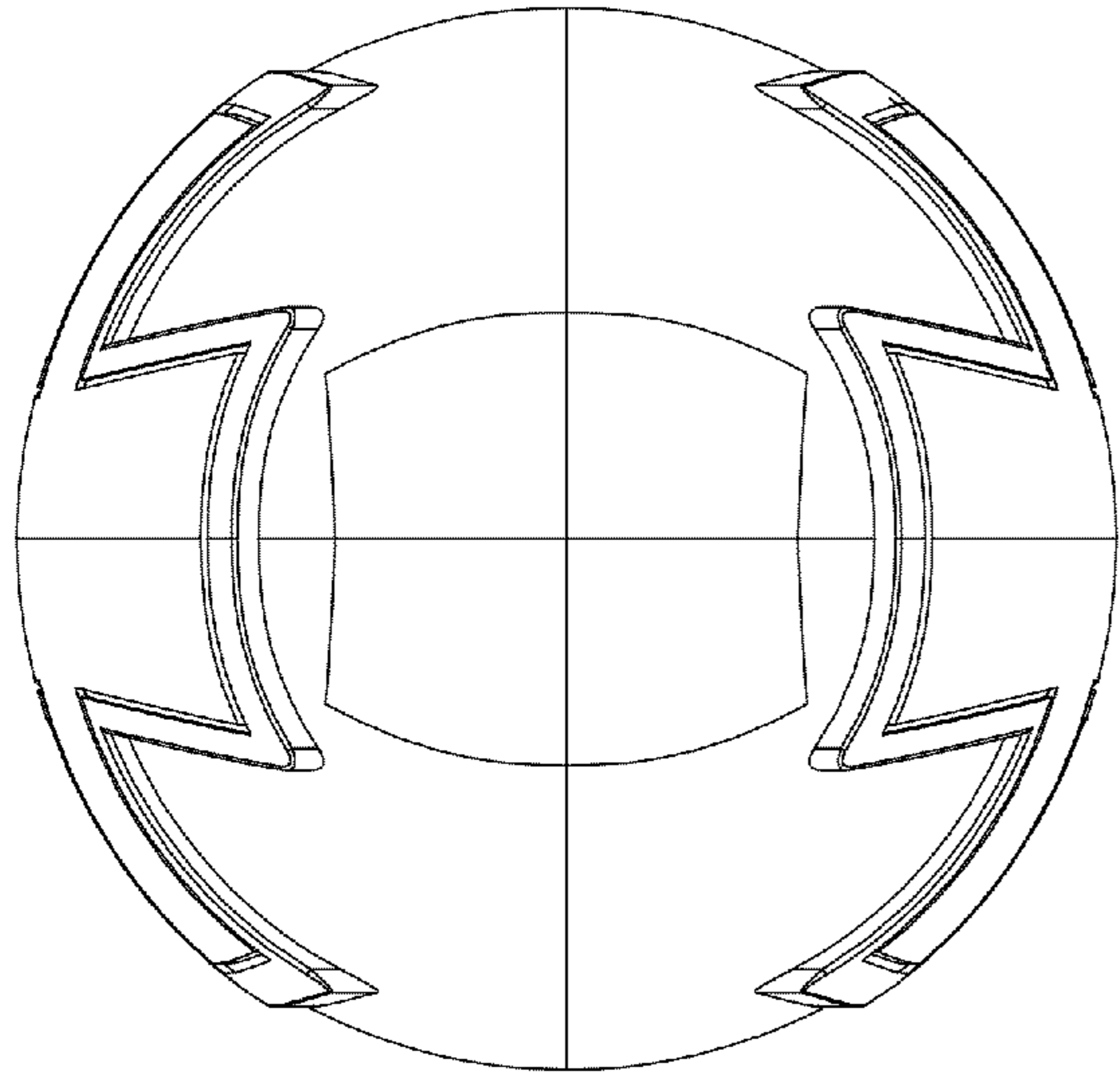


FIG 6

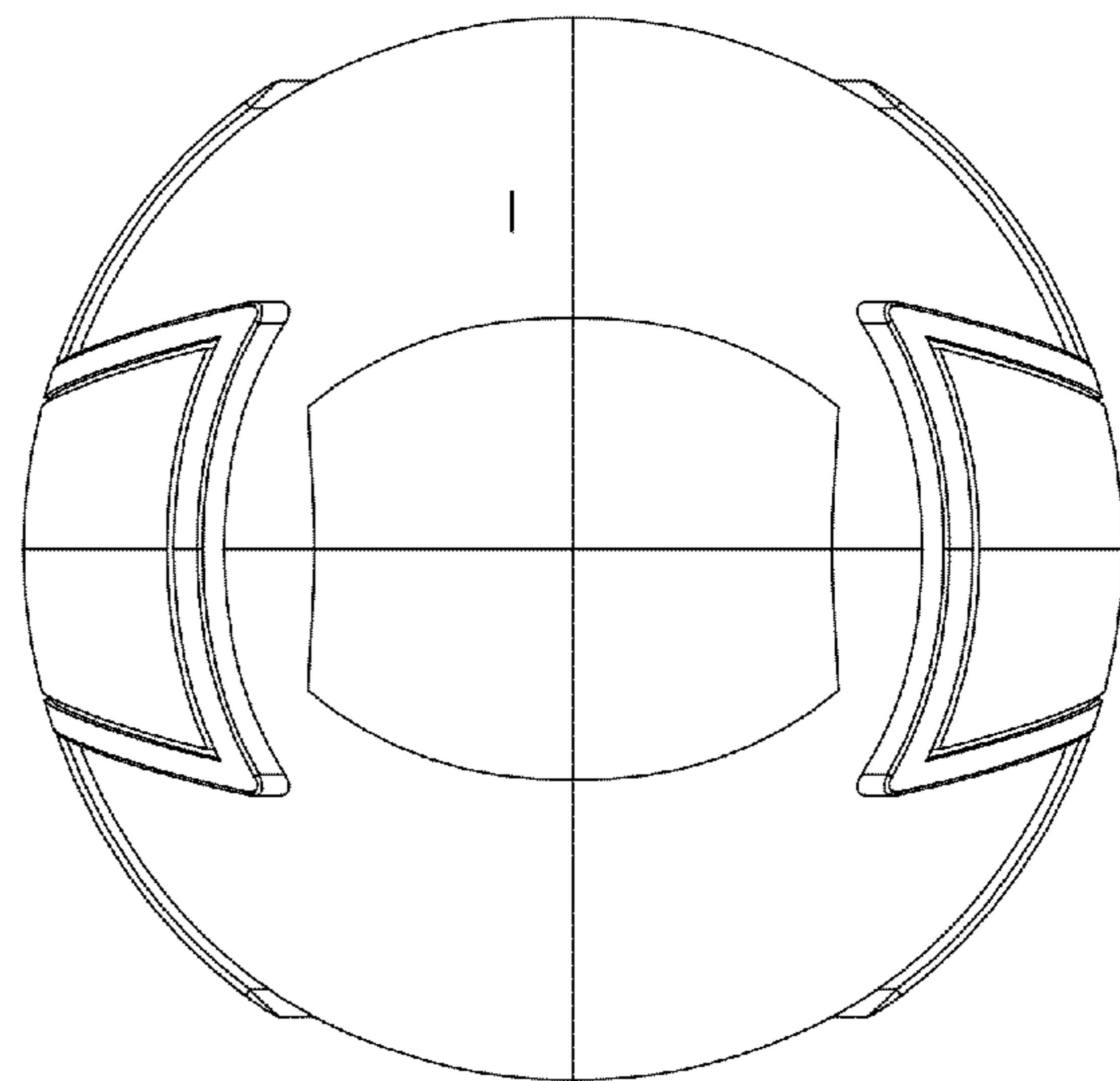


FIG 7

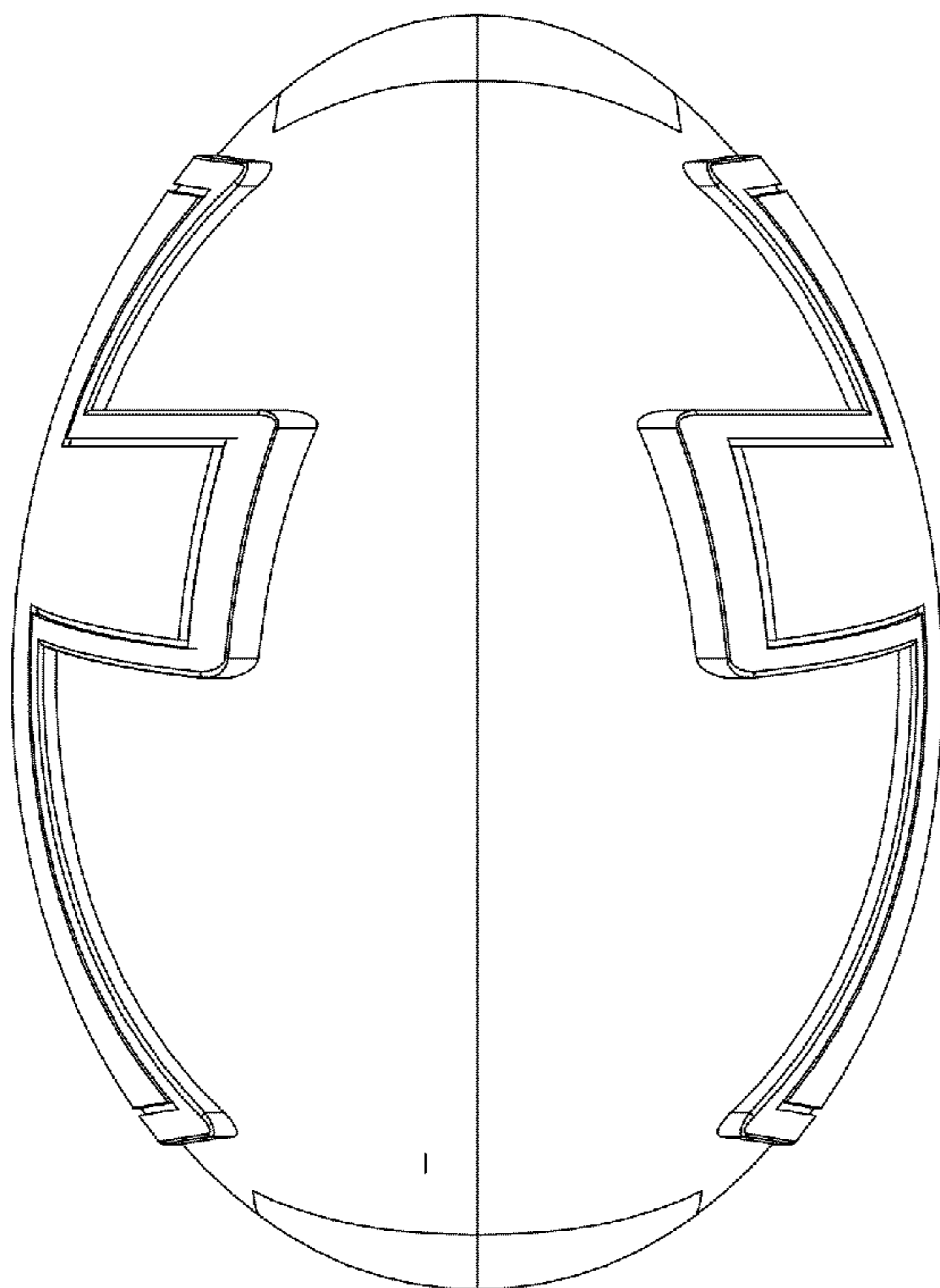


FIG 8