



US00D706658S

(12) **United States Design Patent**
Richenberger et al.

(10) **Patent No.:** **US D706,658 S**
(45) **Date of Patent:** **** Jun. 10, 2014**

(54) **VISCOMETER**

8,313,230 B2 * 11/2012 Norcross, Jr. 73/54.15

* cited by examiner

(71) Applicant: **Thermo Electron (Karlsruhe) GmbH**,
Karlsruhe (DE)

Primary Examiner — Antoine D Davis

(72) Inventors: **Michael Richenberger**, Eckernfoerde
(DE); **Wolfgang Platzek**, Karlsruhe
(DE)

(74) *Attorney, Agent, or Firm* — McGlew and Tuttle, P.C.

(73) Assignee: **Thermo Electron GmbH**, Karlsruhe
(DE)

(57) **CLAIM**

The ornamental design for a viscometer, as shown and described.

(**) Term: **14 Years**

DESCRIPTION

(21) Appl. No.: **29/433,763**

FIG. 1 shows a perspective view of a first embodiment of the viscometer in accordance with the invention;

(22) Filed: **Oct. 4, 2012**

FIG. 2 shows a back view of the first embodiment of the viscometer in accordance with the invention wherein the broken line showing of structural features is included for the purpose of illustrating non-claimed subject matter and forms no part of the claimed design;

(30) **Foreign Application Priority Data**

Apr. 4, 2012	(EM)	1320964-0001
Apr. 4, 2012	(EM)	1320964-0002
Apr. 4, 2012	(EM)	1320964-0003
Apr. 4, 2012	(EM)	1320964-0004
Apr. 4, 2012	(EM)	1320964-0005
Apr. 4, 2012	(EM)	1320964-0006
Apr. 4, 2012	(EM)	1320964-0007
Apr. 4, 2012	(EM)	1320964-0008
Apr. 4, 2012	(EM)	1320964-0009
Apr. 4, 2012	(EM)	1320964-0010

FIG. 3 shows a front view of the first embodiment of the viscometer in accordance with the invention;

(51) **LOC (10) Cl.** **10-04**

(52) **U.S. Cl.**
USPC **D10/96**

FIG. 4 shows a top view of the first embodiment of the viscometer in accordance with the invention;

(58) **Field of Classification Search**
USPC D10/96; 73/54.01–54.43, 861.357
See application file for complete search history.

FIG. 5 shows a bottom view of the first embodiment of the viscometer in accordance with the invention wherein the broken line showing of structural features is included for the purpose of illustrating non-claimed subject matter and forms no part of the claimed design;

(56) **References Cited**

U.S. PATENT DOCUMENTS

4,534,209	A *	8/1985	Sanders	73/54.33
7,168,299	B2 *	1/2007	Doe et al.	73/54.43
8,225,644	B2 *	7/2012	Wilkinson et al.	73/54.28
8,230,728	B2 *	7/2012	Wakabayashi et al.	73/114.38

FIG. 6 shows a left side view of the first embodiment of the viscometer in accordance with the invention;

FIG. 7 shows a right side view of the first embodiment of the viscometer in accordance with the invention;

FIG. 8 shows a perspective view of a second embodiment of the viscometer in accordance with the invention;

FIG. 9 shows a back view of the second embodiment of the viscometer in accordance with the invention wherein the broken line showing of structural features is included for the purpose of illustrating non-claimed subject matter and forms no part of the claimed design;

FIG. 10 shows a front view of the second embodiment of the viscometer in accordance with the invention;

FIG. 11 shows a top view of the second embodiment of the viscometer in accordance with the invention;

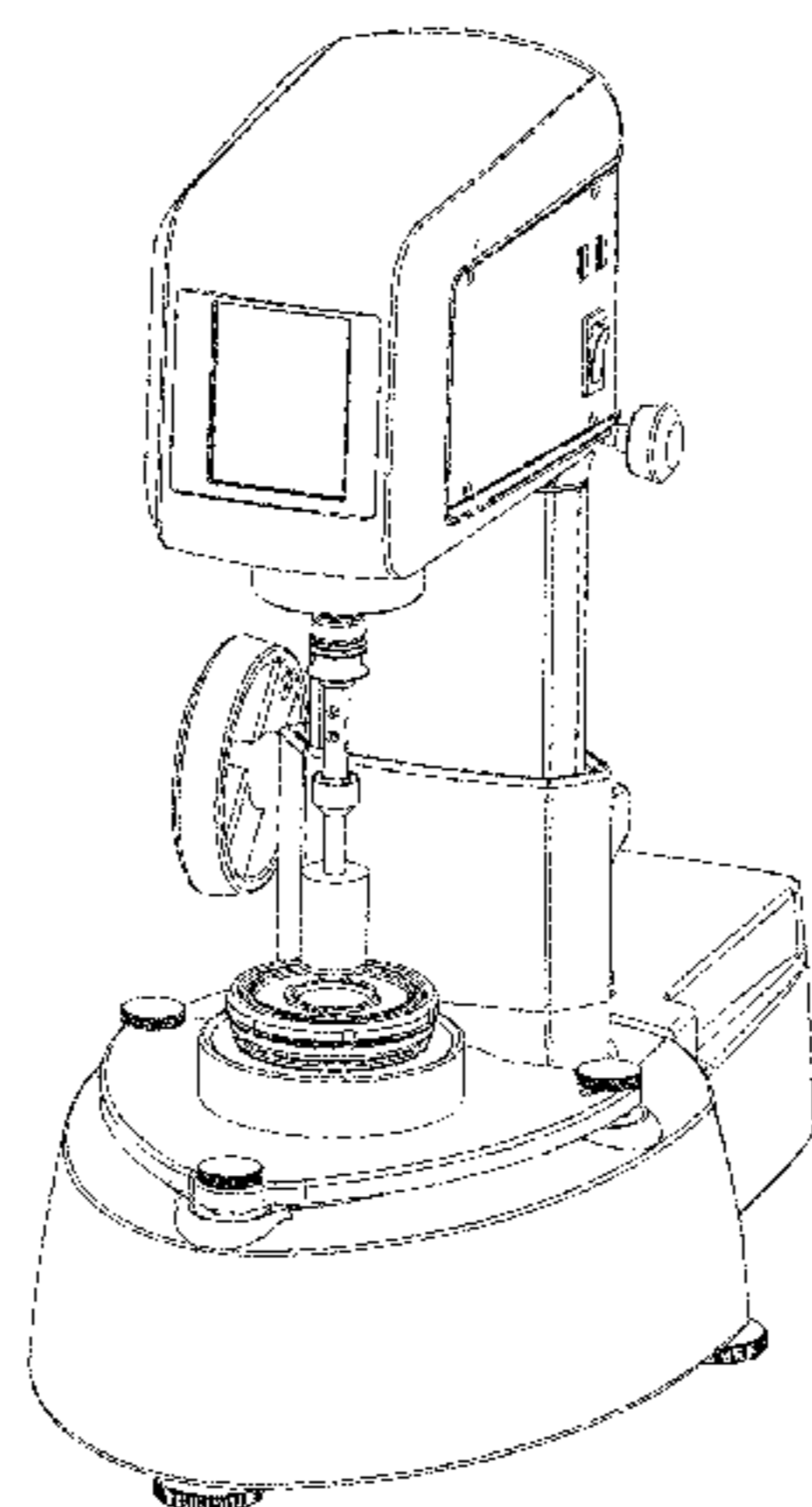


FIG. **12** shows a bottom view of the second embodiment of the viscometer in accordance with the invention wherein the broken line showing of structural features is included for the purpose of illustrating non-claimed subject matter and forms no part of the claimed design;

FIG. **13** shows a left side view of the second embodiment of the viscometer in accordance with the invention;

FIG. **14** shows a right side view of the second embodiment of the viscometer in accordance with the invention;

FIG. **15** shows a perspective view of a third embodiment of the viscometer in accordance with the invention;

FIG. **16** shows a back view of the third embodiment of the viscometer in accordance with the invention wherein the broken line showing of structural features is included for the purpose of illustrating non-claimed subject matter and forms no part of the claimed design;

FIG. **17** shows a front view of the third embodiment of the viscometer in accordance with the invention;

FIG. **18** shows a top view of the third embodiment of the viscometer in accordance with the invention;

FIG. **19** shows a bottom view of the third embodiment of the viscometer in accordance with the invention wherein the broken line showing of structural features is included for the purpose of illustrating non-claimed subject matter and forms no part of the claimed design;

FIG. **20** shows a left side view of the third embodiment of the viscometer in accordance with the invention; and,

FIG. **21** shows a right side view of the third embodiment of the viscometer in accordance with the invention.

1 Claim, 21 Drawing Sheets

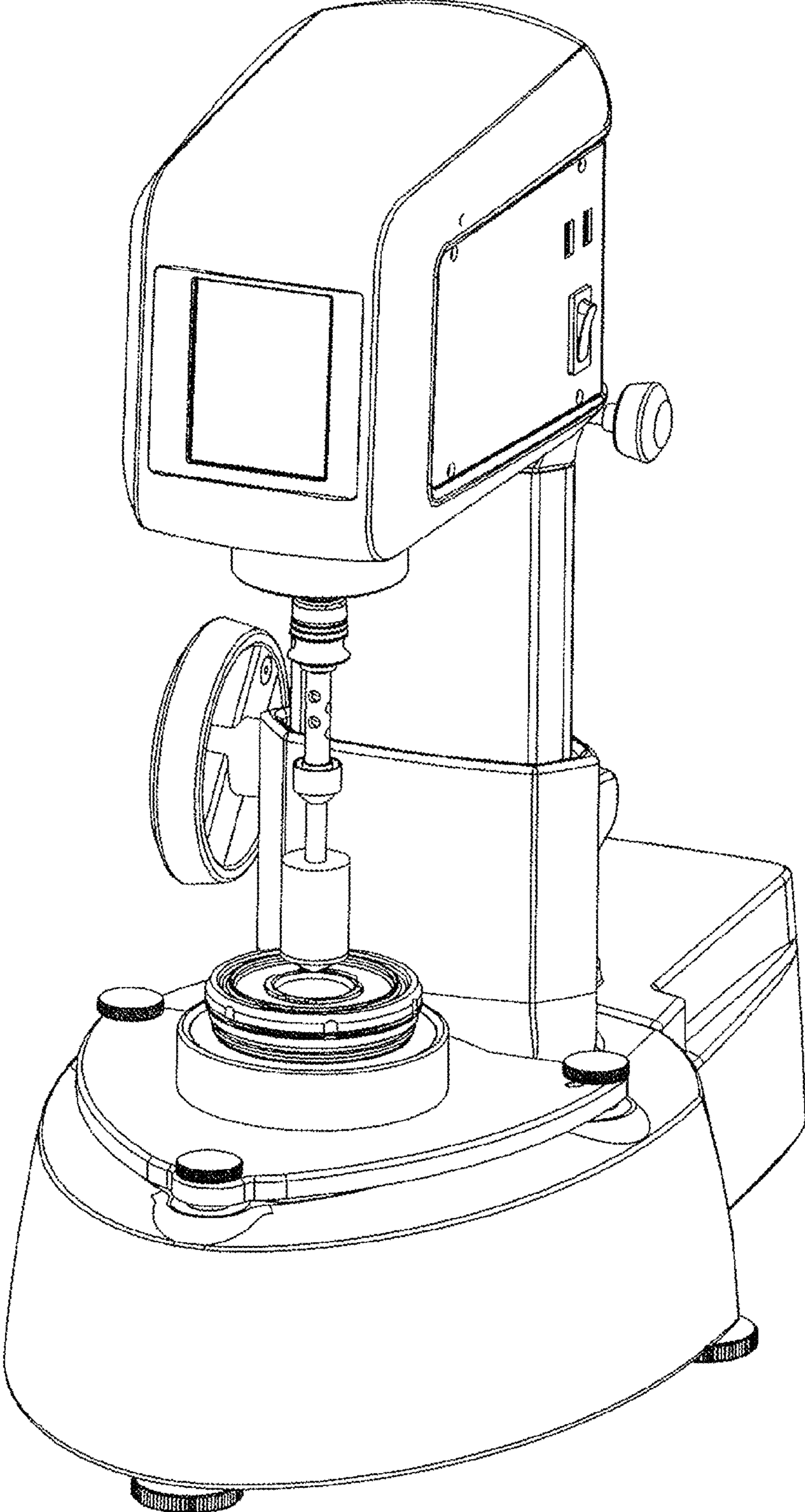


Fig. 1

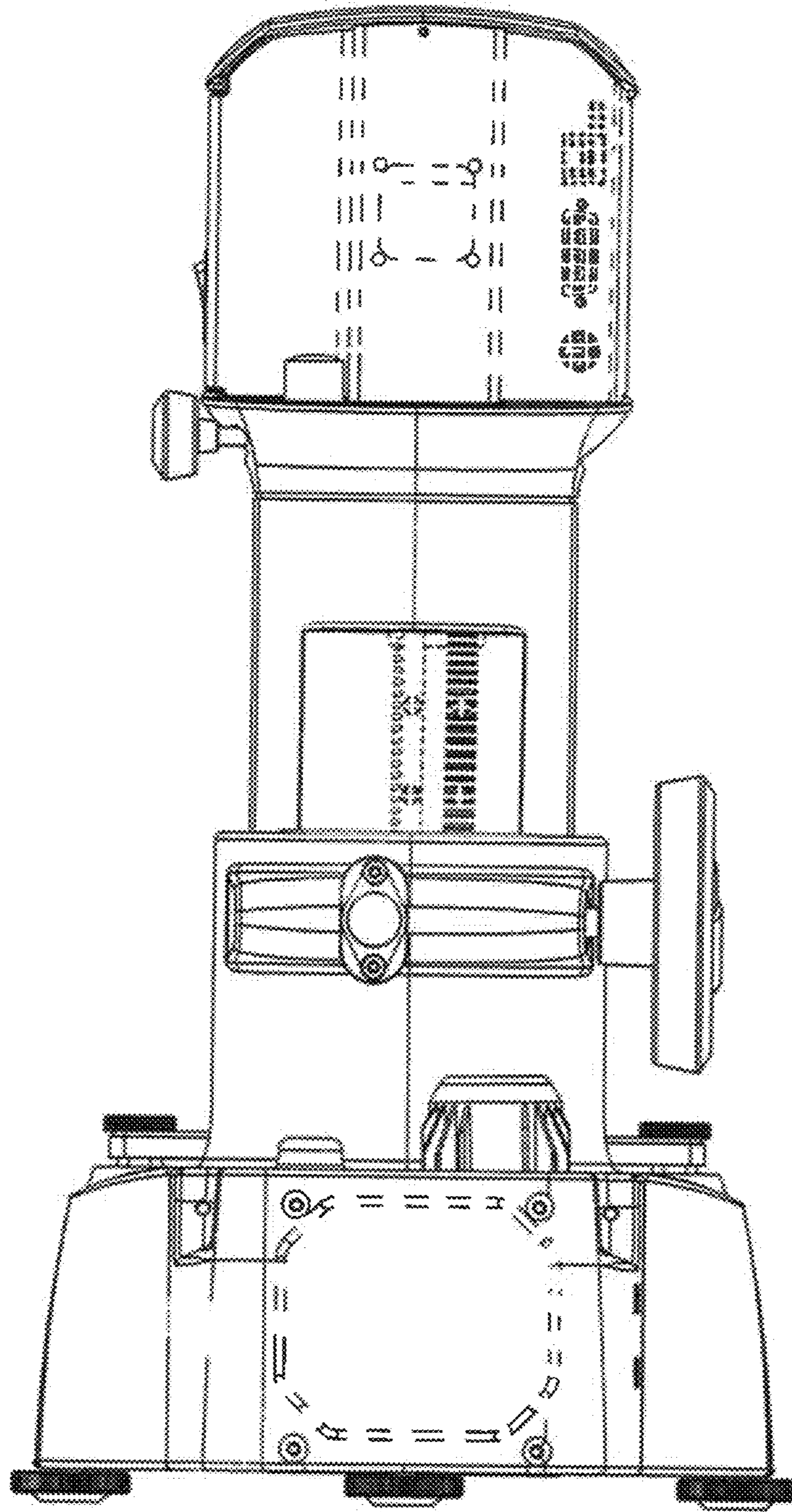


Fig. 2

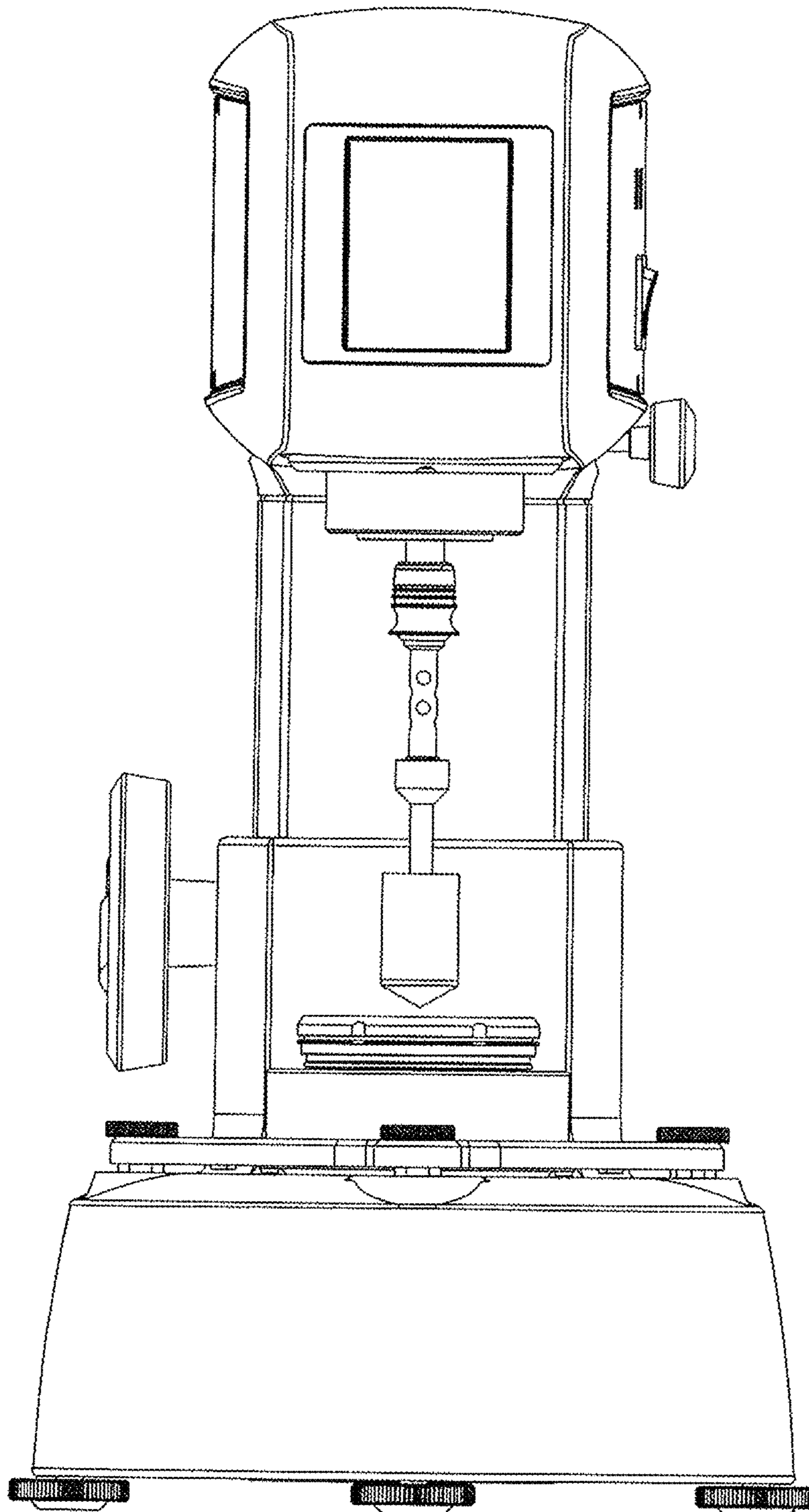


Fig. 3

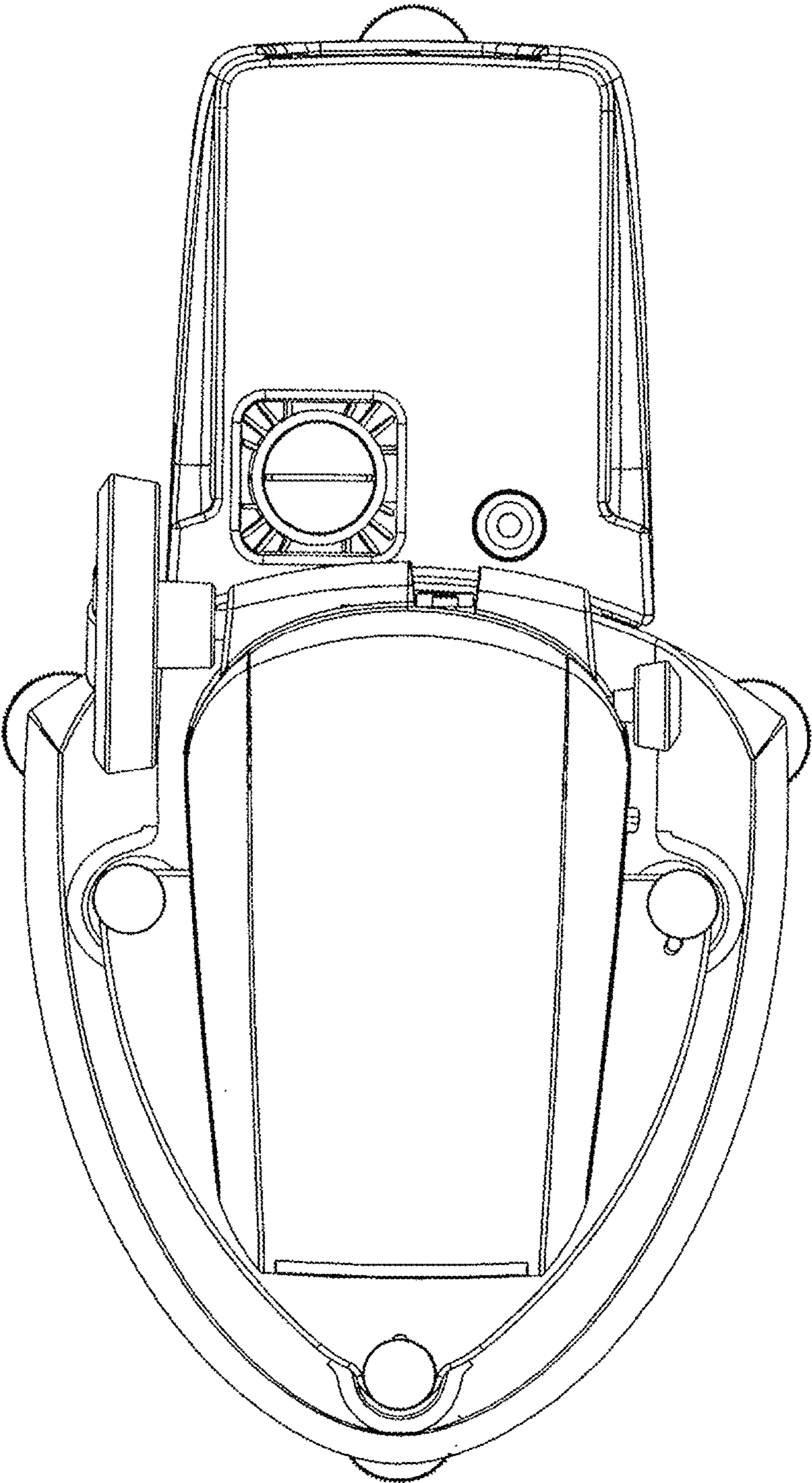


Fig. 4

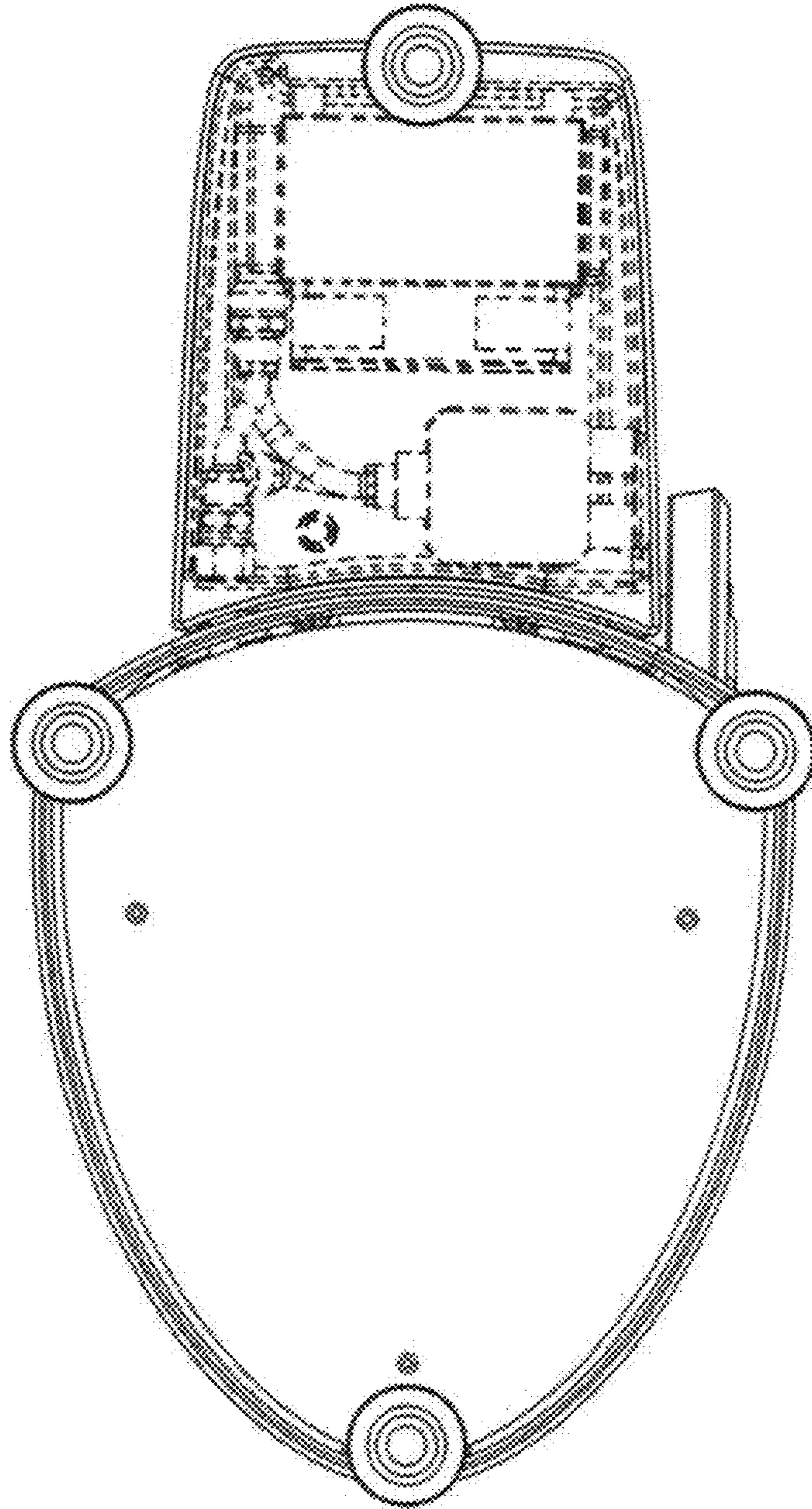


Fig. 5

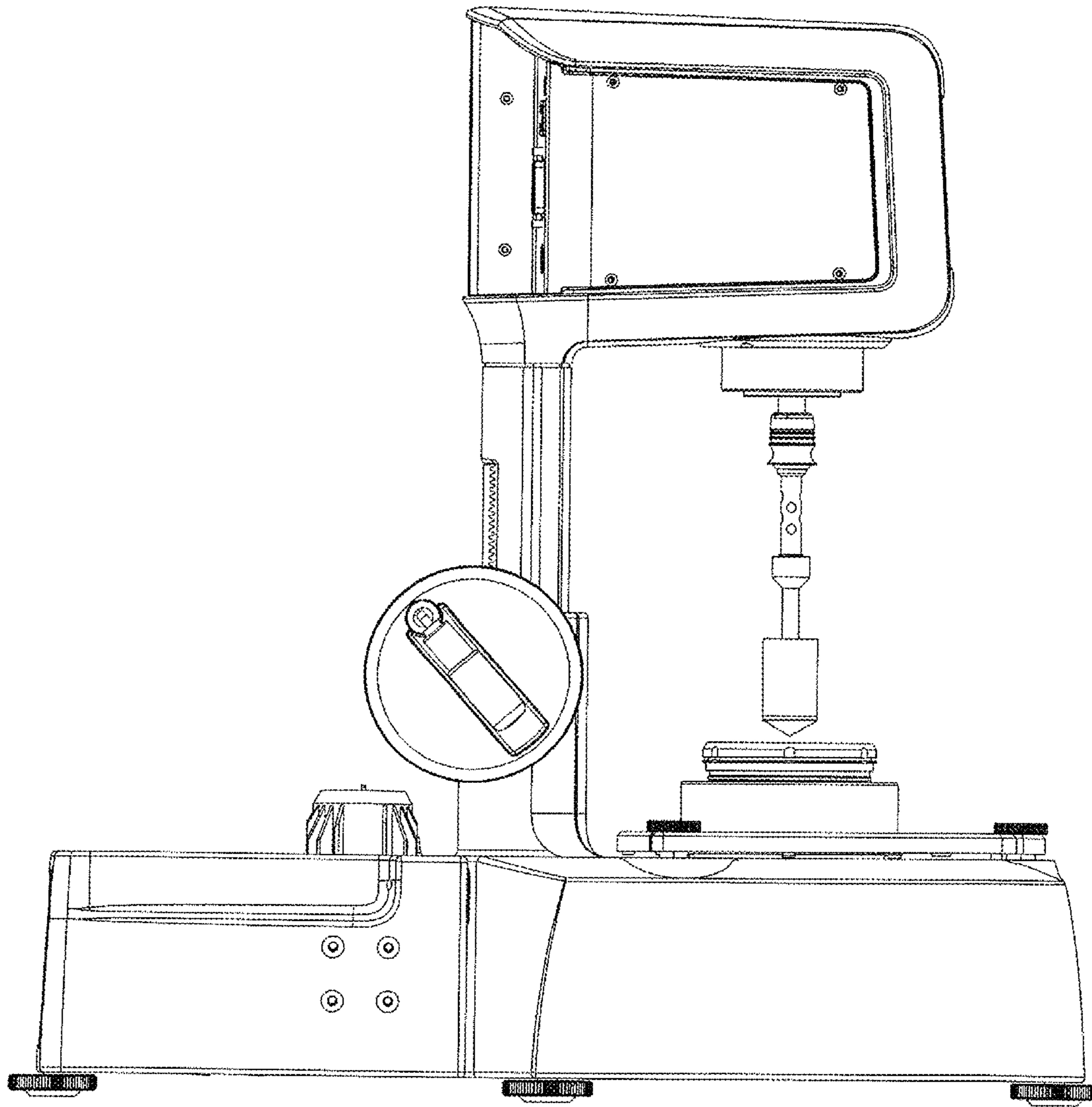


Fig. 6

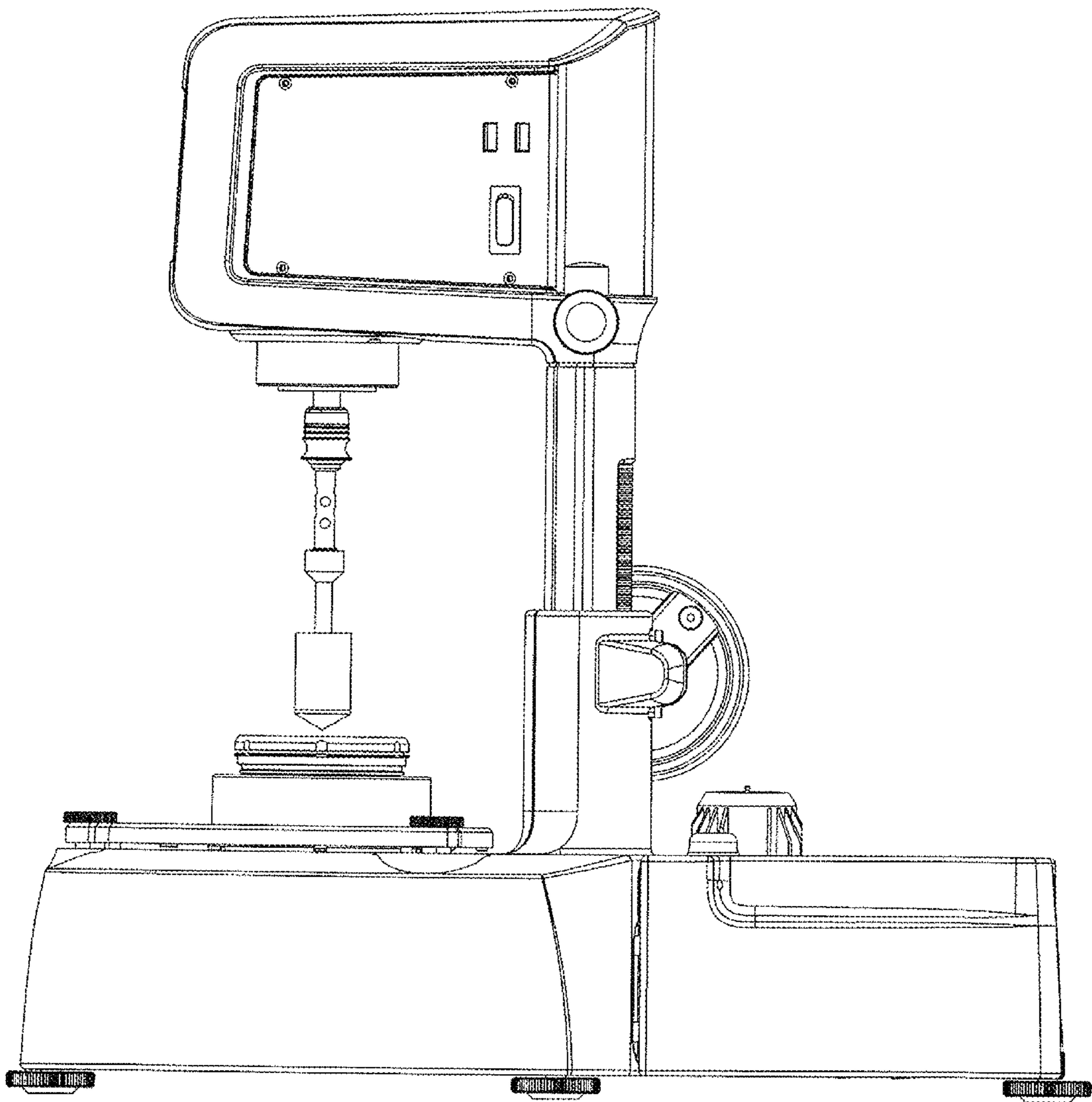


Fig. 7

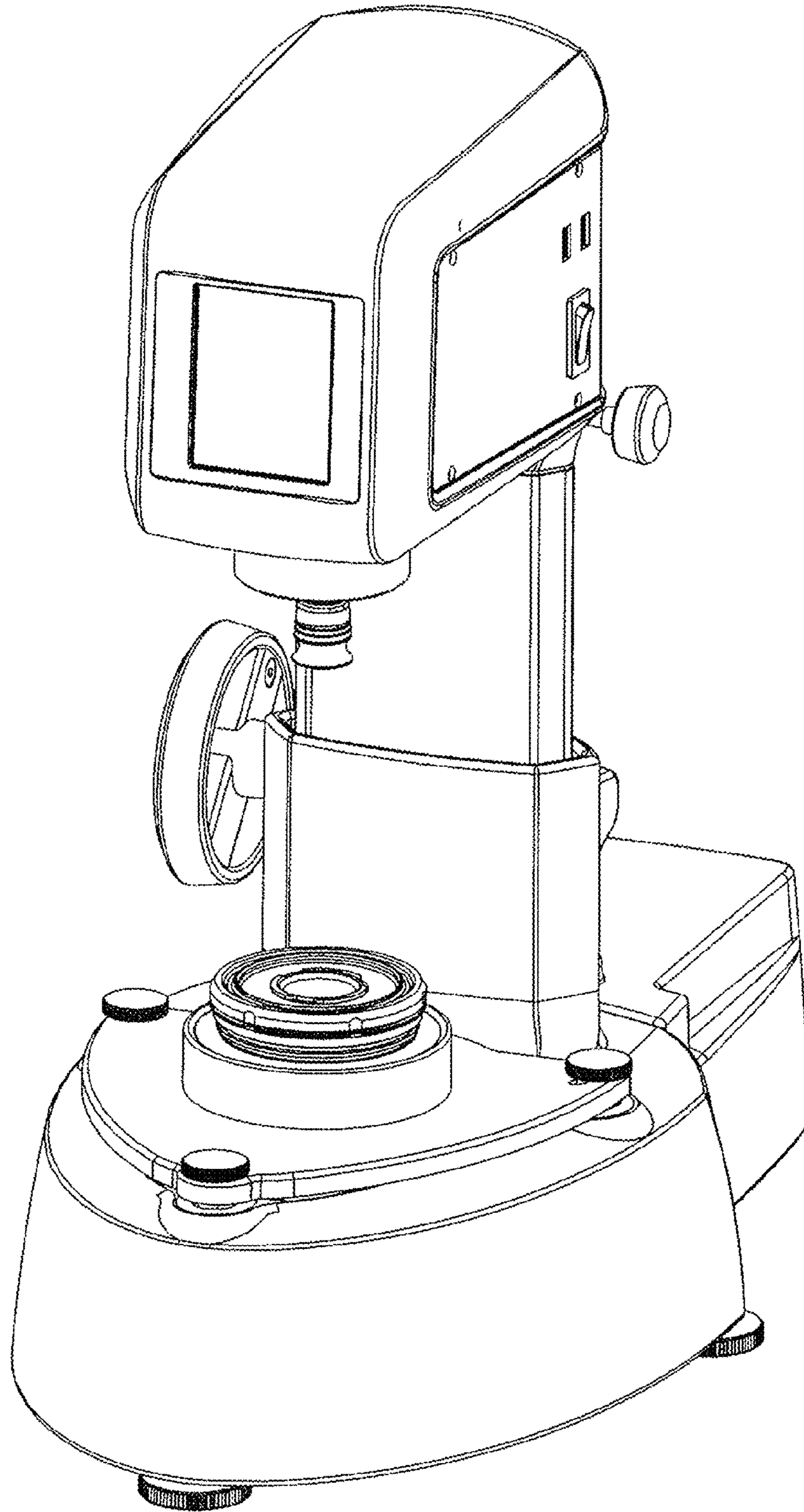


Fig. 8

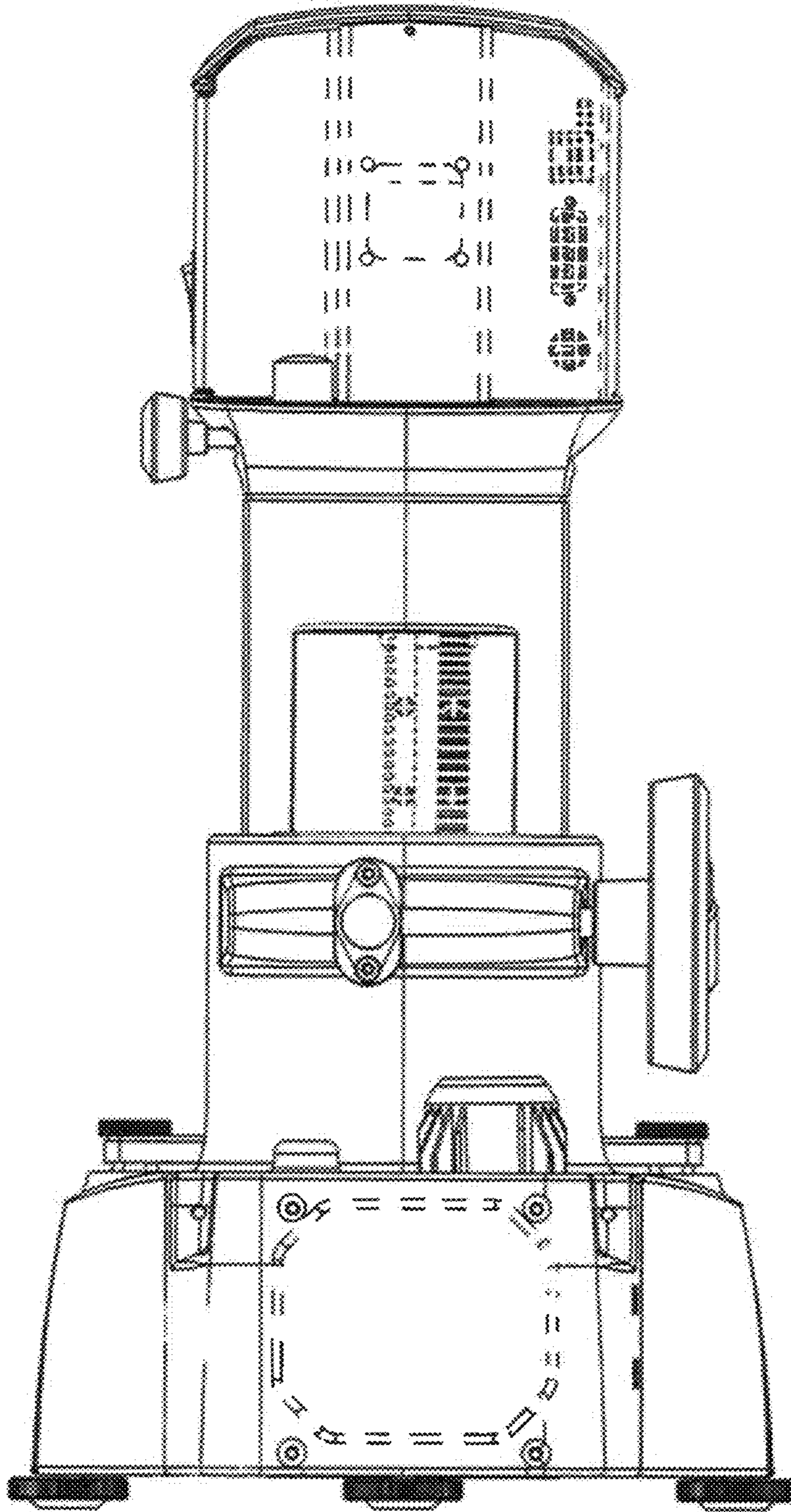


Fig. 9

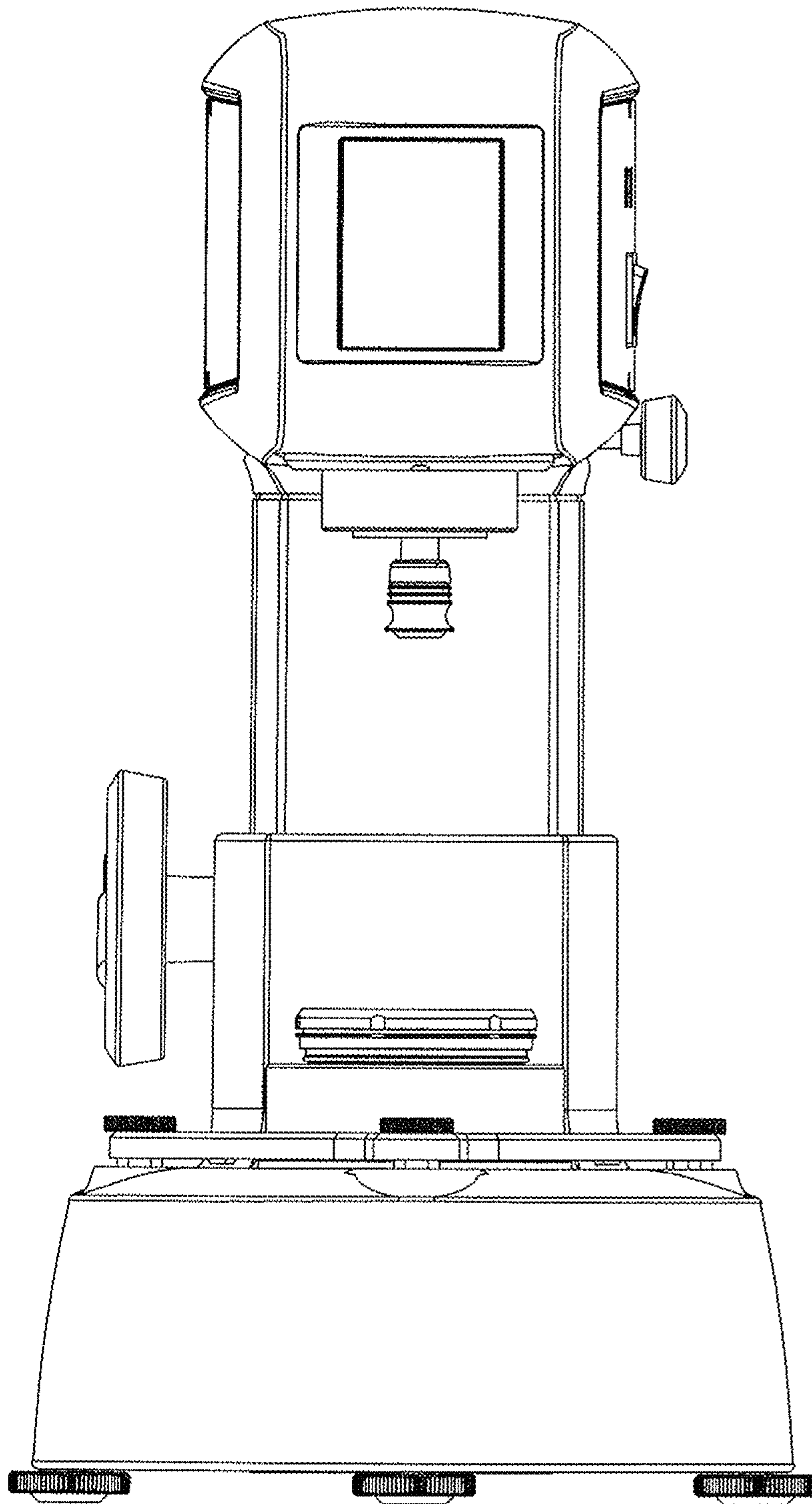


Fig. 10

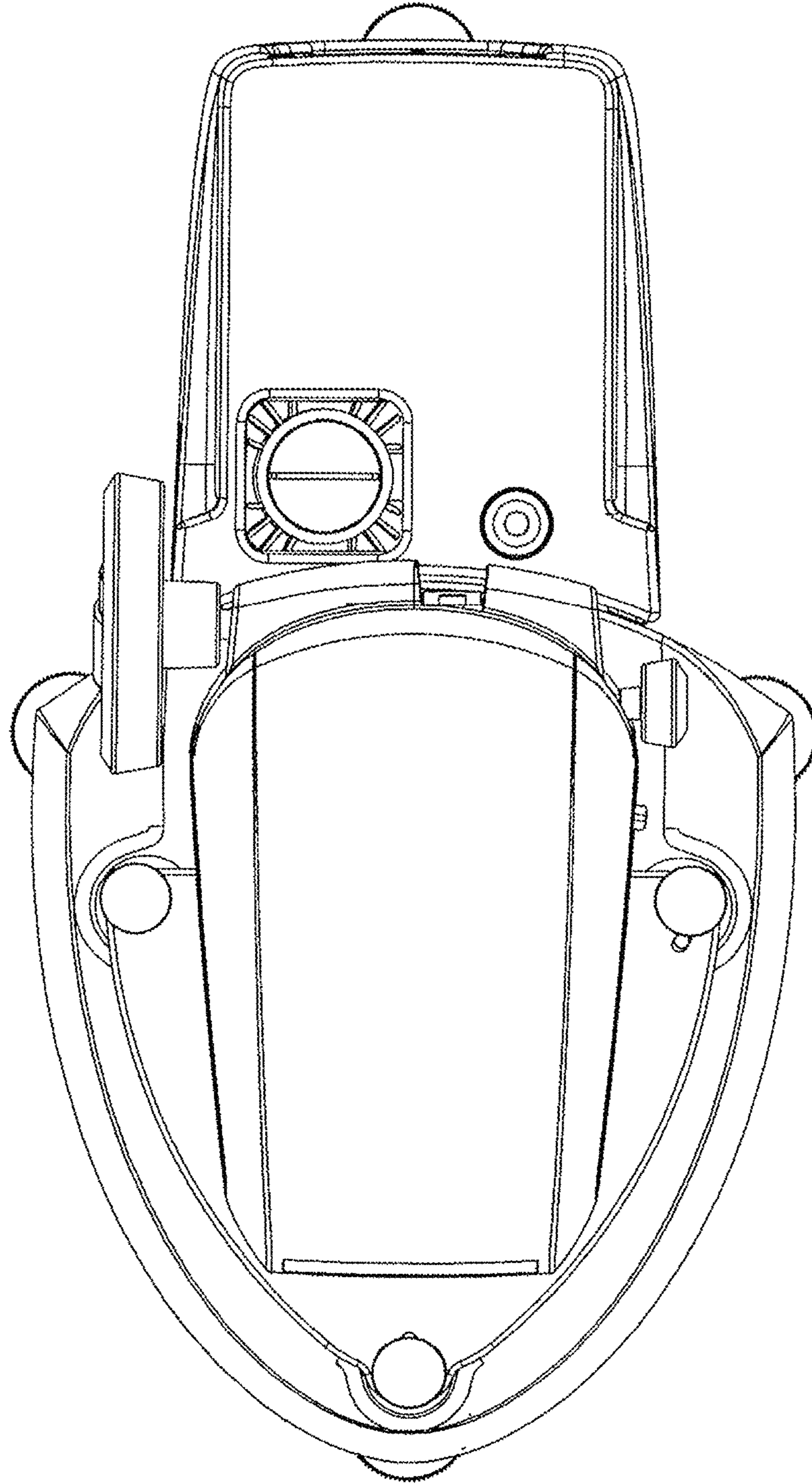


Fig. 11

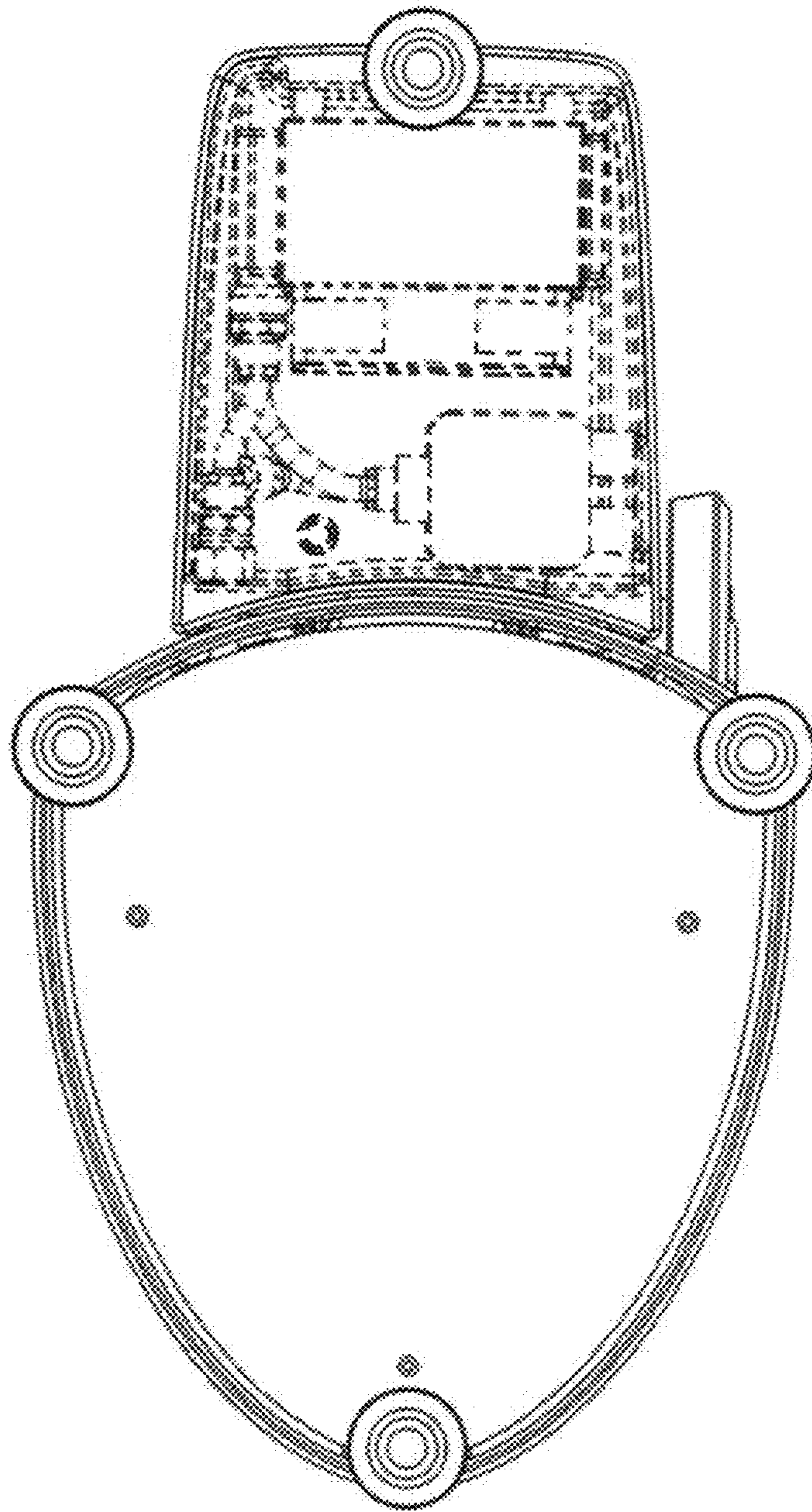


Fig. 12

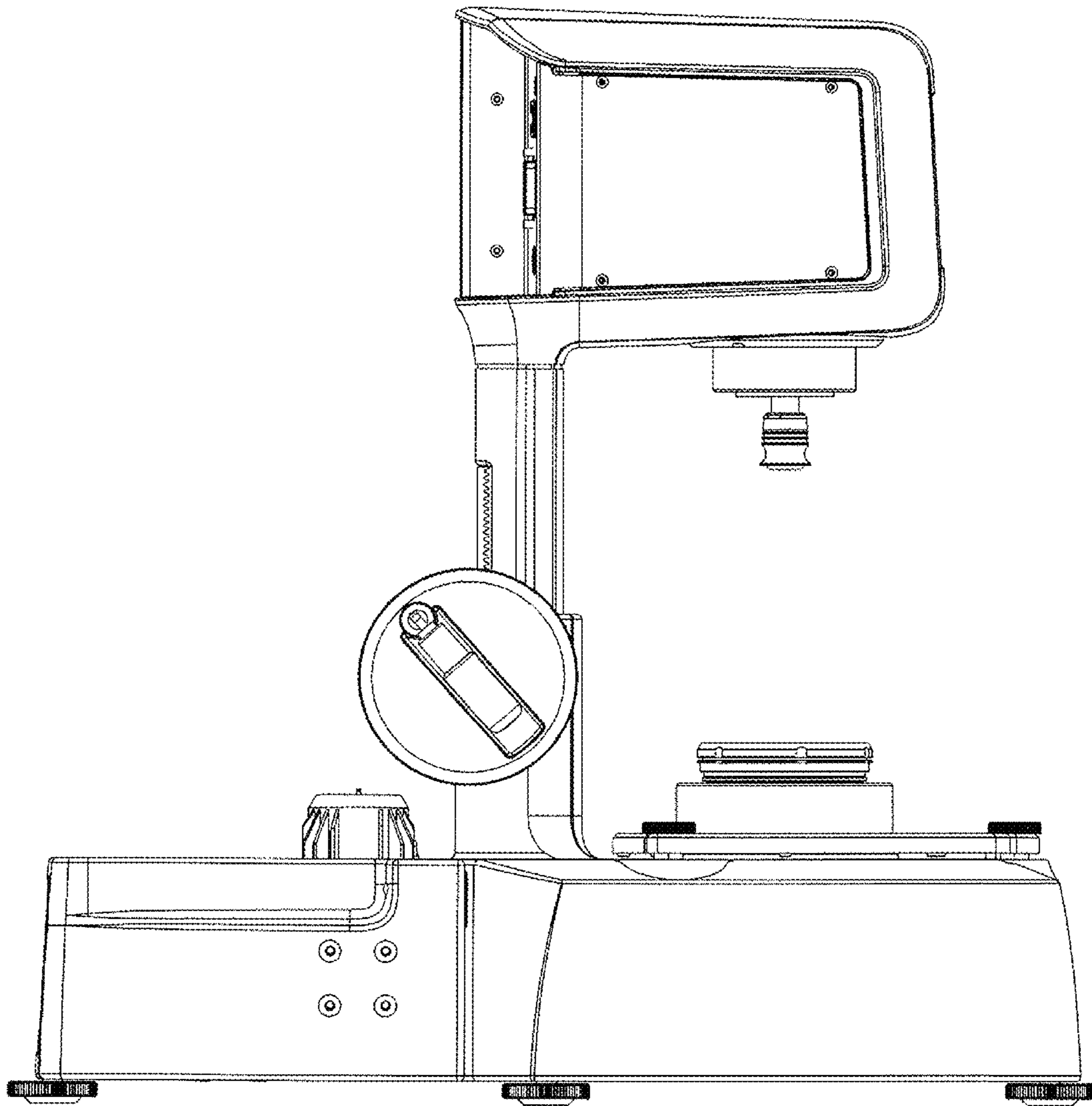


Fig. 13

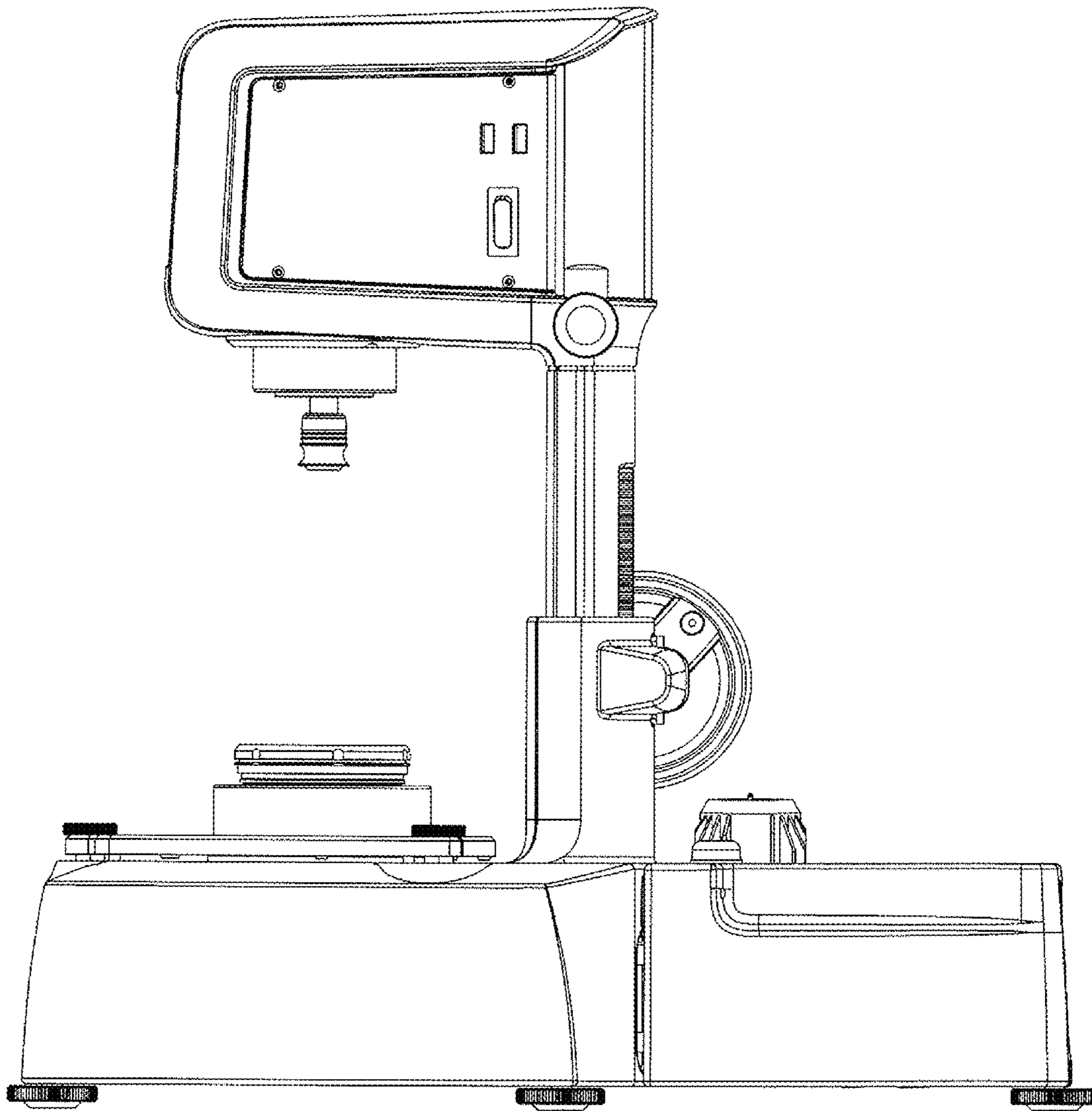


Fig. 14

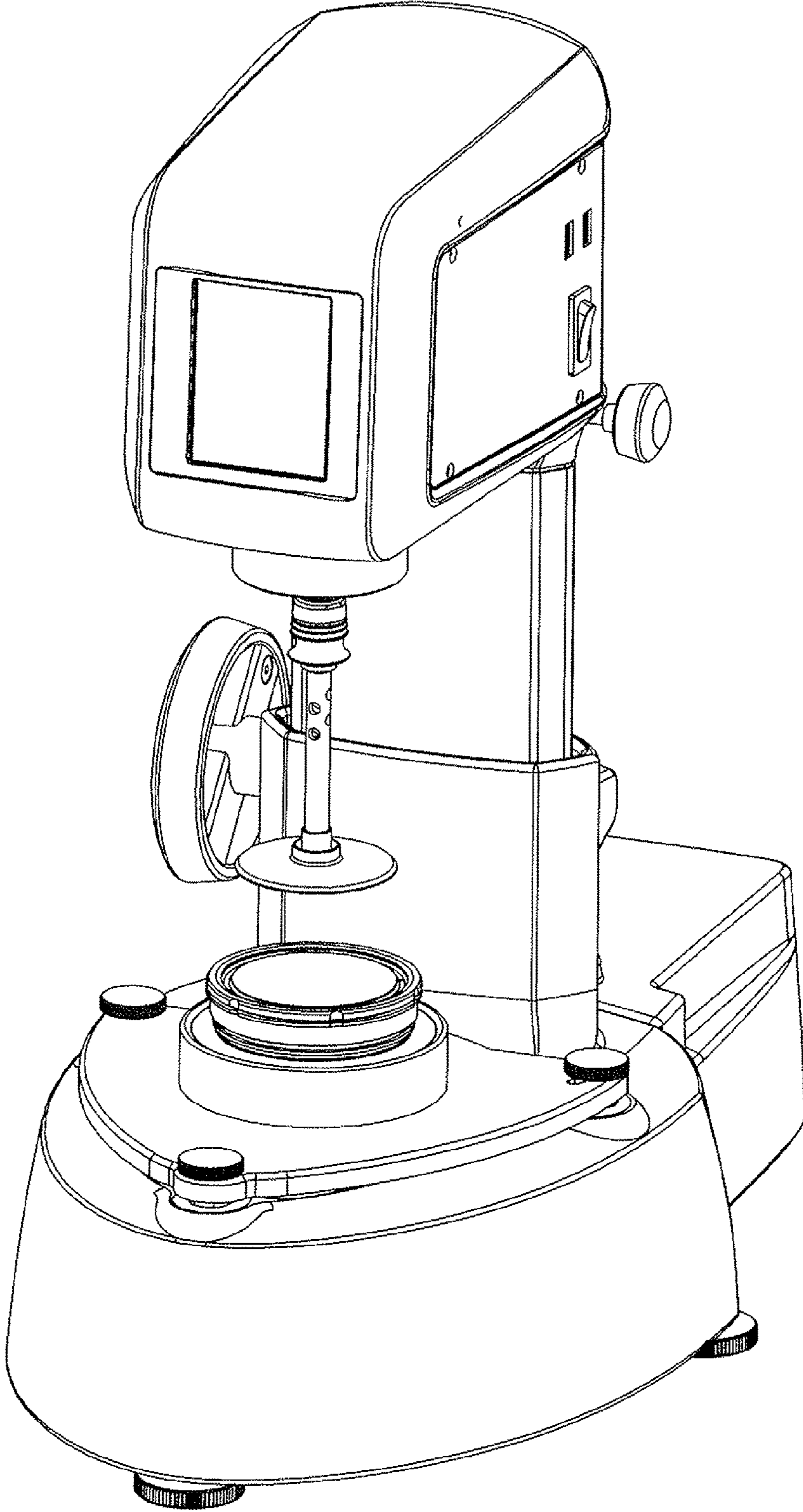


Fig. 15

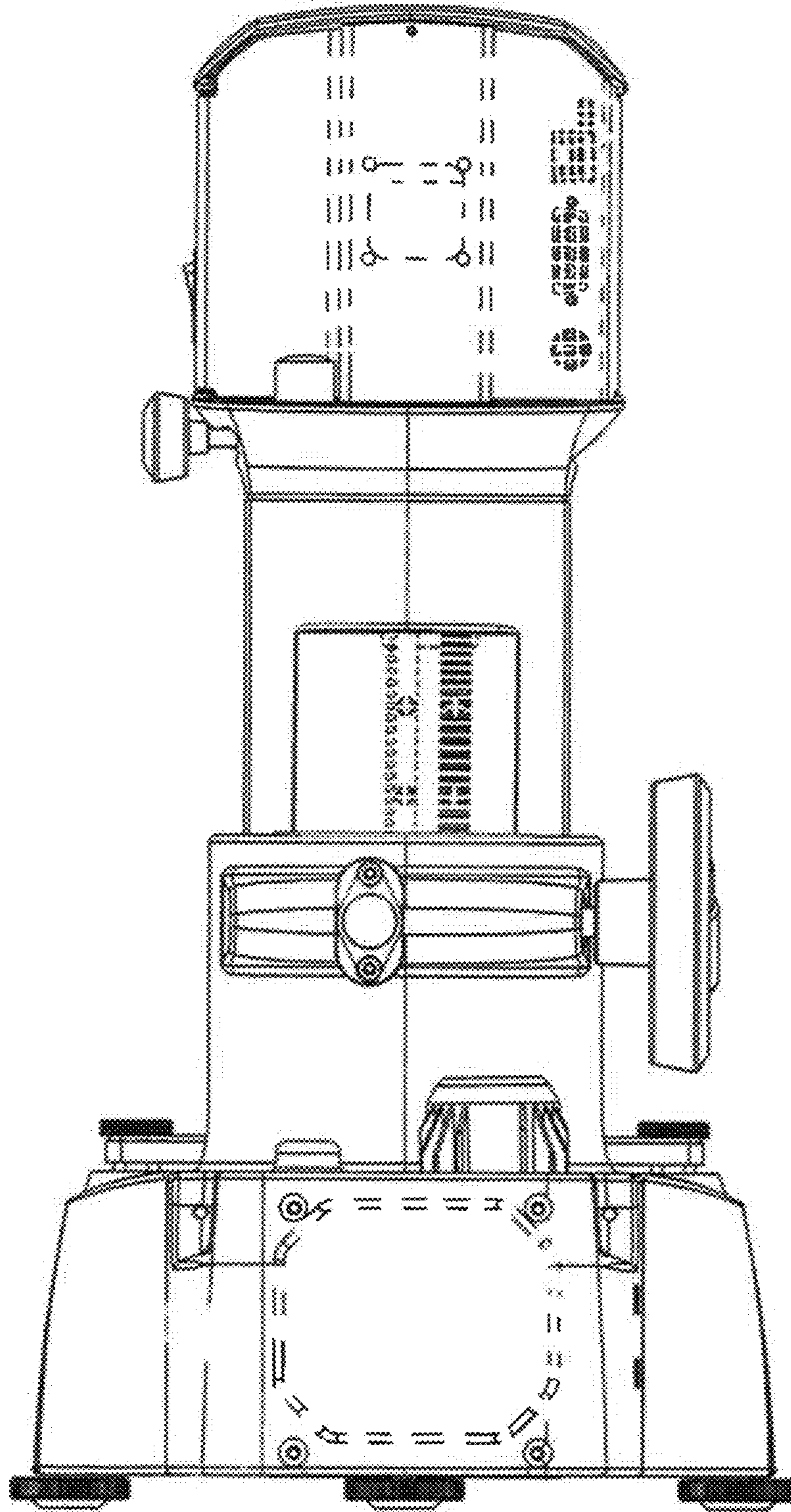


Fig. 16

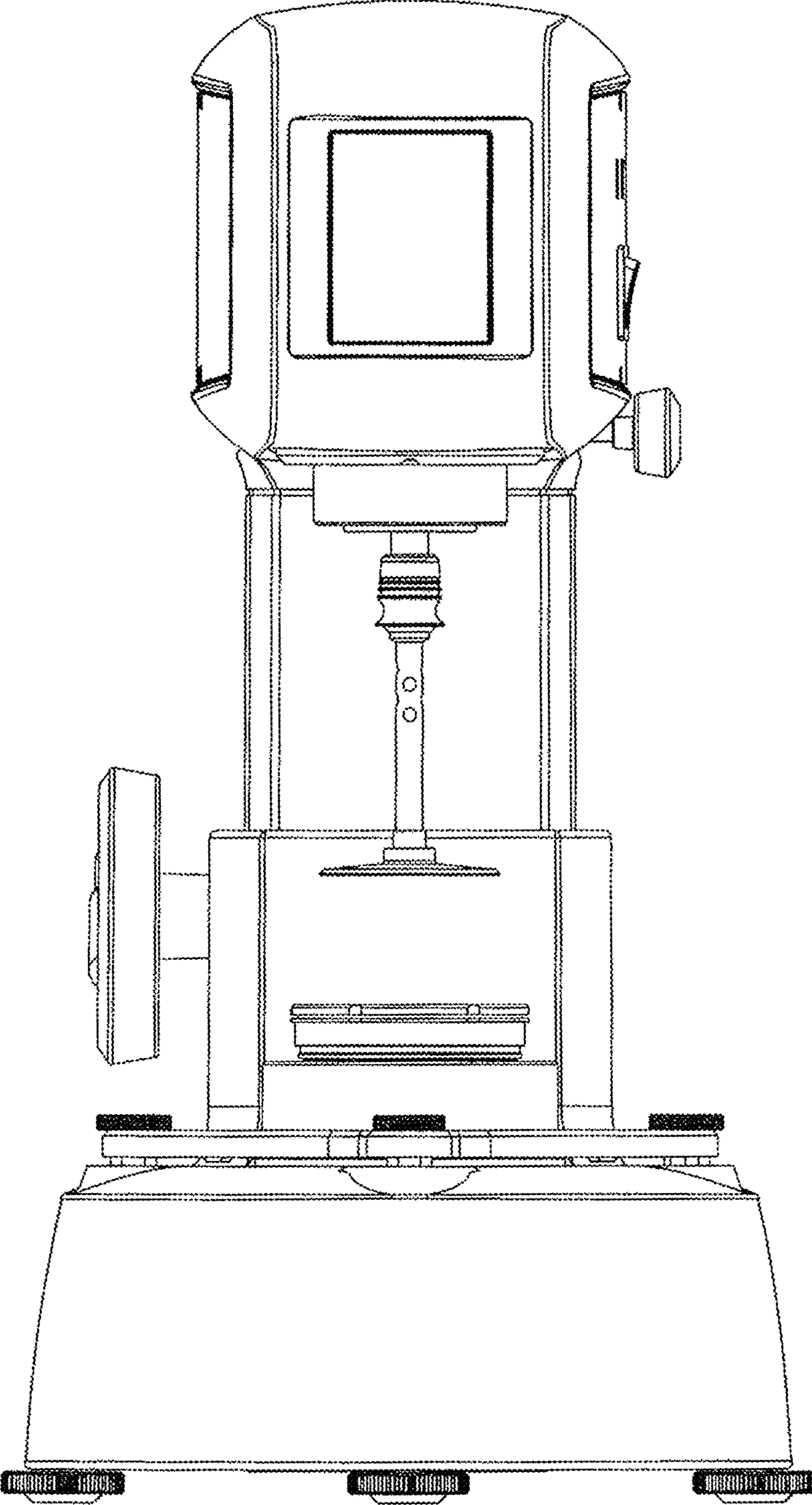


Fig. 17

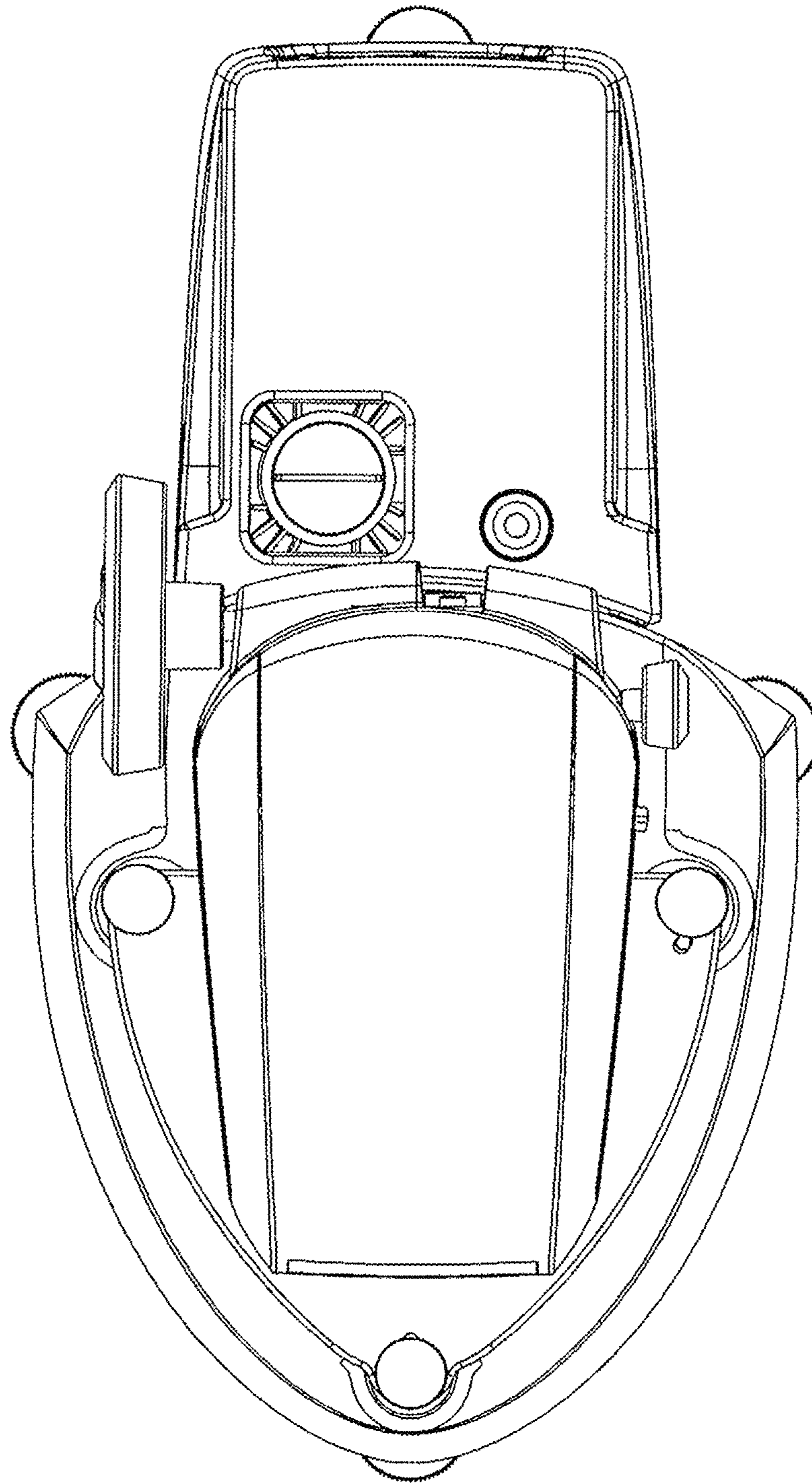


Fig. 18

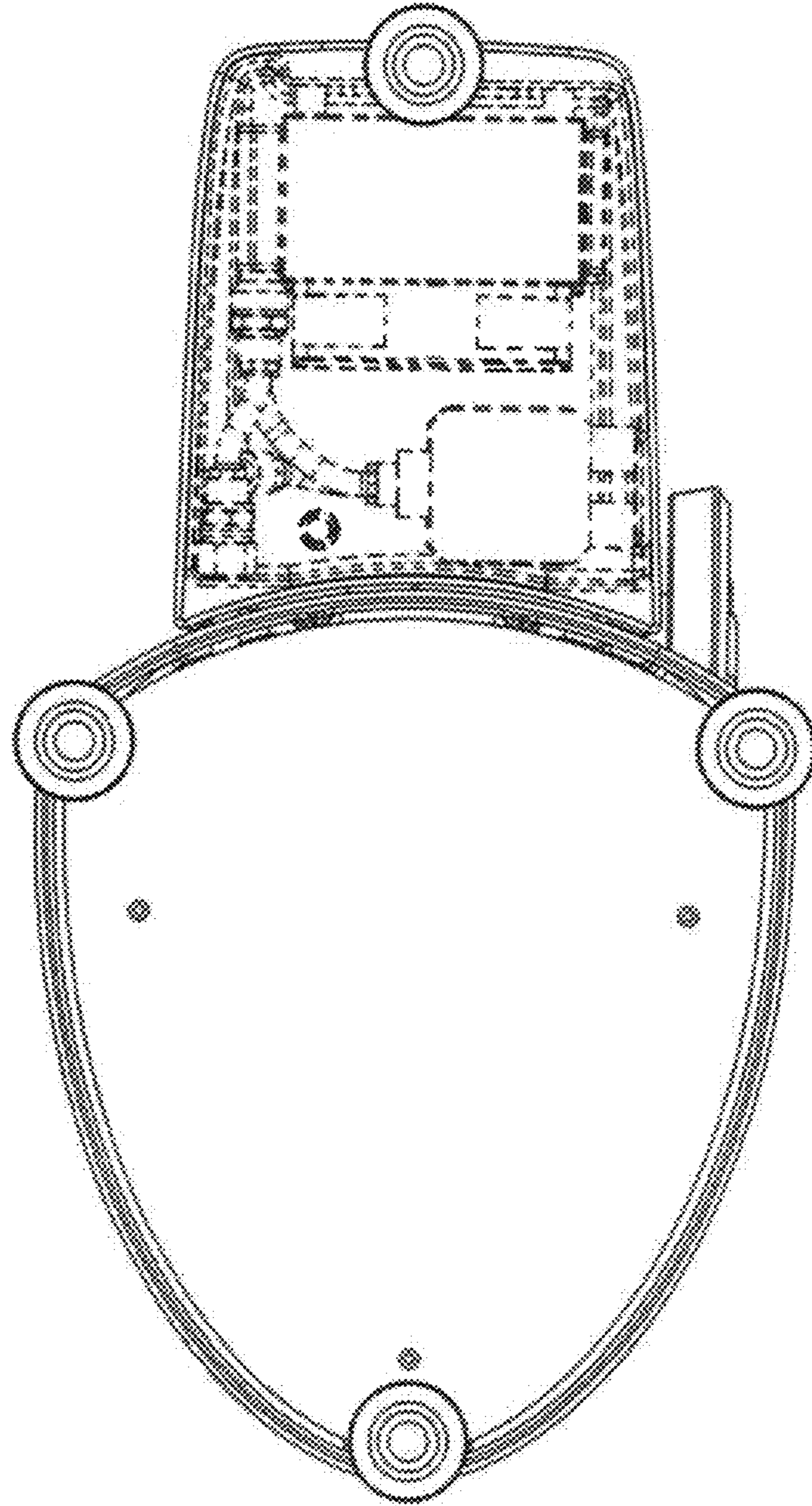


Fig. 19

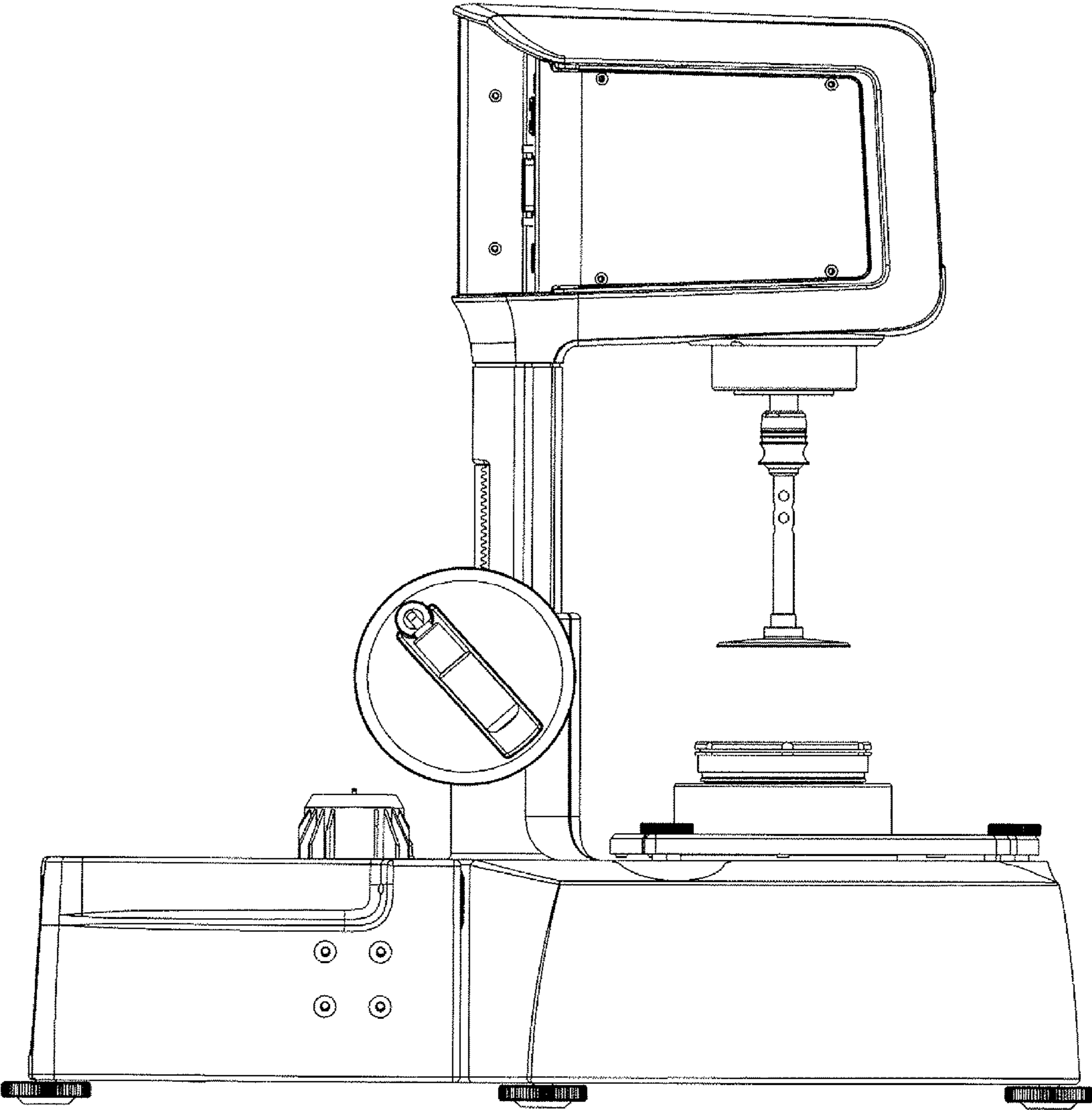


Fig. 20

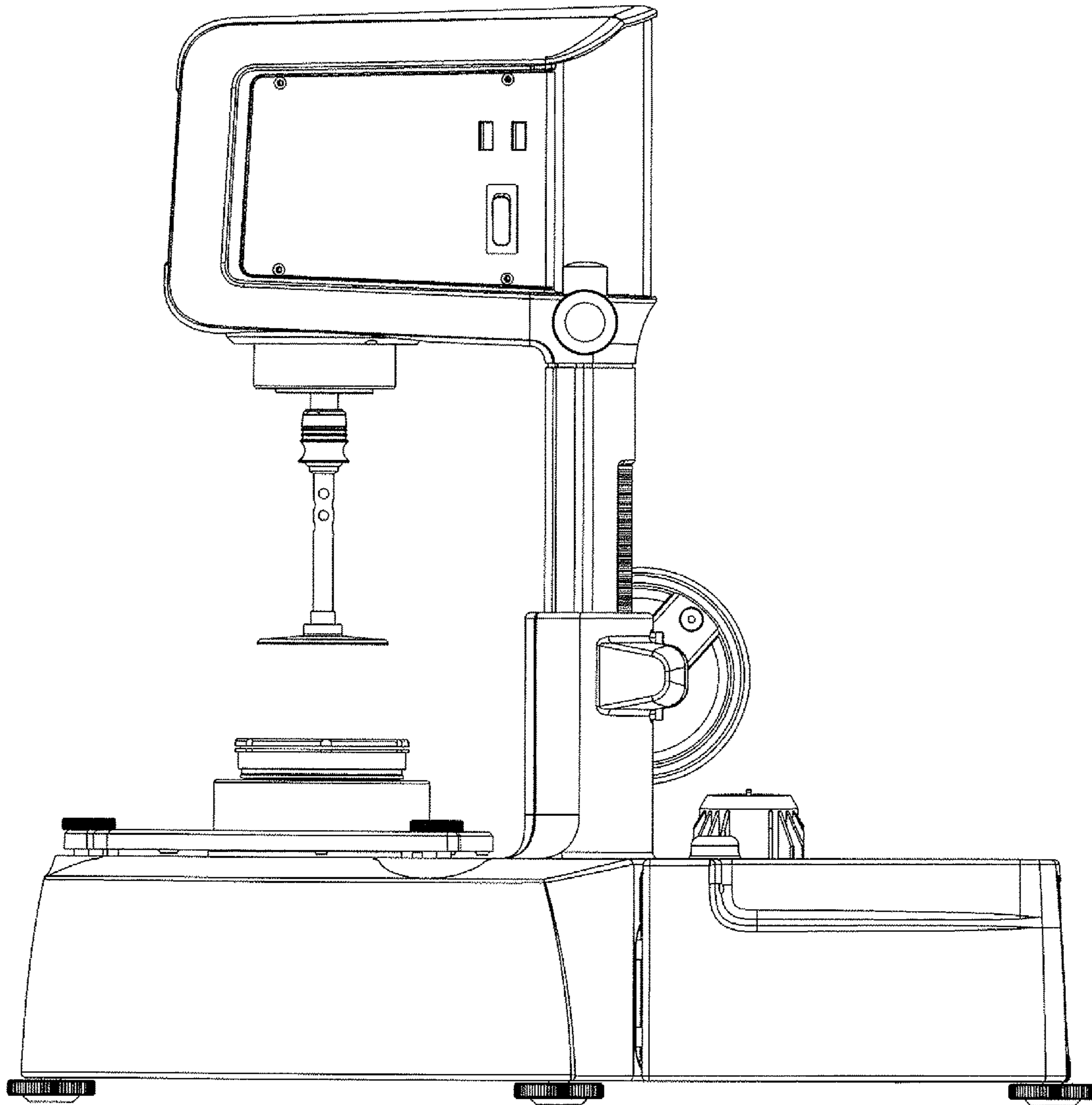


Fig. 21