



US00D706656S

(12) **United States Design Patent**
Kanenari et al.

(10) **Patent No.:** **US D706,656 S**
(45) **Date of Patent:** **** Jun. 10, 2014**

(54) **SENSOR FOR MEASURING AIR PRESSURE OF A TIRE**

(75) Inventors: **Daisuke Kanenari**, Hiratsuka (JP);
Yasuhiko Araki, Hiratsuka (JP);
Christian Markert, Giengen an der Brenz (DE)

(73) Assignees: **The Yokohama Rubber Co., Ltd.**, Tokyo (JP); **Alligator Ventilfabrik GmbH**, Giengen an der Brenz (DE)

(**) Term: **14 Years**

(21) Appl. No.: **29/429,789**

(22) Filed: **Aug. 16, 2012**

(30) **Foreign Application Priority Data**

Feb. 17, 2012 (JP) 2012-003292

(51) **LOC (10) Cl.** **10-04**

(52) **U.S. Cl.**
USPC **D10/86**

(58) **Field of Classification Search**
USPC D10/86; 73/732, 744, 742, 717, 741,
73/146.3, 146.8

See application file for complete search history.

(56) **References Cited**

U.S. PATENT DOCUMENTS

6,813,940	B2 *	11/2004	Lin	73/146.3
7,145,443	B2 *	12/2006	Ito et al.	73/146.8
7,536,904	B1 *	5/2009	Yu	73/146.8
7,562,566	B2 *	7/2009	Liao	73/146
7,870,866	B2 *	1/2011	Yu	73/146.8
7,886,589	B2 *	2/2011	Capdepon et al.	73/146.8
D683,643	S *	6/2013	Stowers et al.	D10/86

* cited by examiner

Primary Examiner — Antoine D Davis

(74) *Attorney, Agent, or Firm* — RatnerPrestia

(57) **CLAIM**

The ornamental design for a sensor for measuring air pressure of a tire, as shown and described.

DESCRIPTION

FIG. 1 is a front perspective view of a sensor for measuring air pressure of a tire showing our new design;

FIG. 2 is a front view thereof;

FIG. 3 is a rear view thereof;

FIG. 4 is a left side view thereof;

FIG. 5 is a right side view thereof;

FIG. 6 is a top plan view thereof;

FIG. 7 is a bottom plan view thereof; and,

FIG. 8 is another perspective view of the sensor for measuring air pressure of a tire in use.

The broken lines in the drawings are for the purpose of illustrating unclaimed portions of the sensor for measuring air pressure of a tire and form no part of the claimed design.

1 Claim, 3 Drawing Sheets

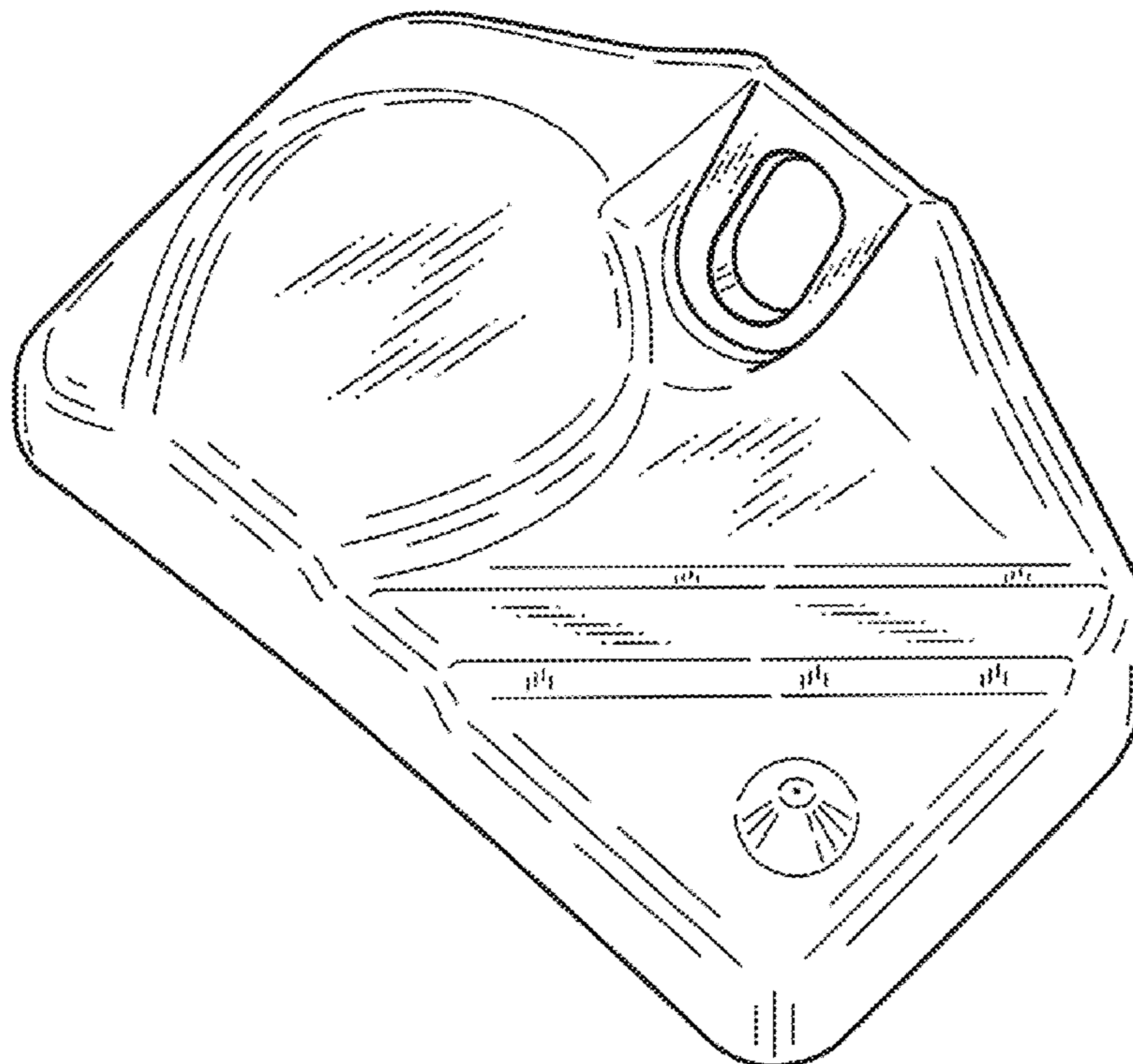


Fig. 1

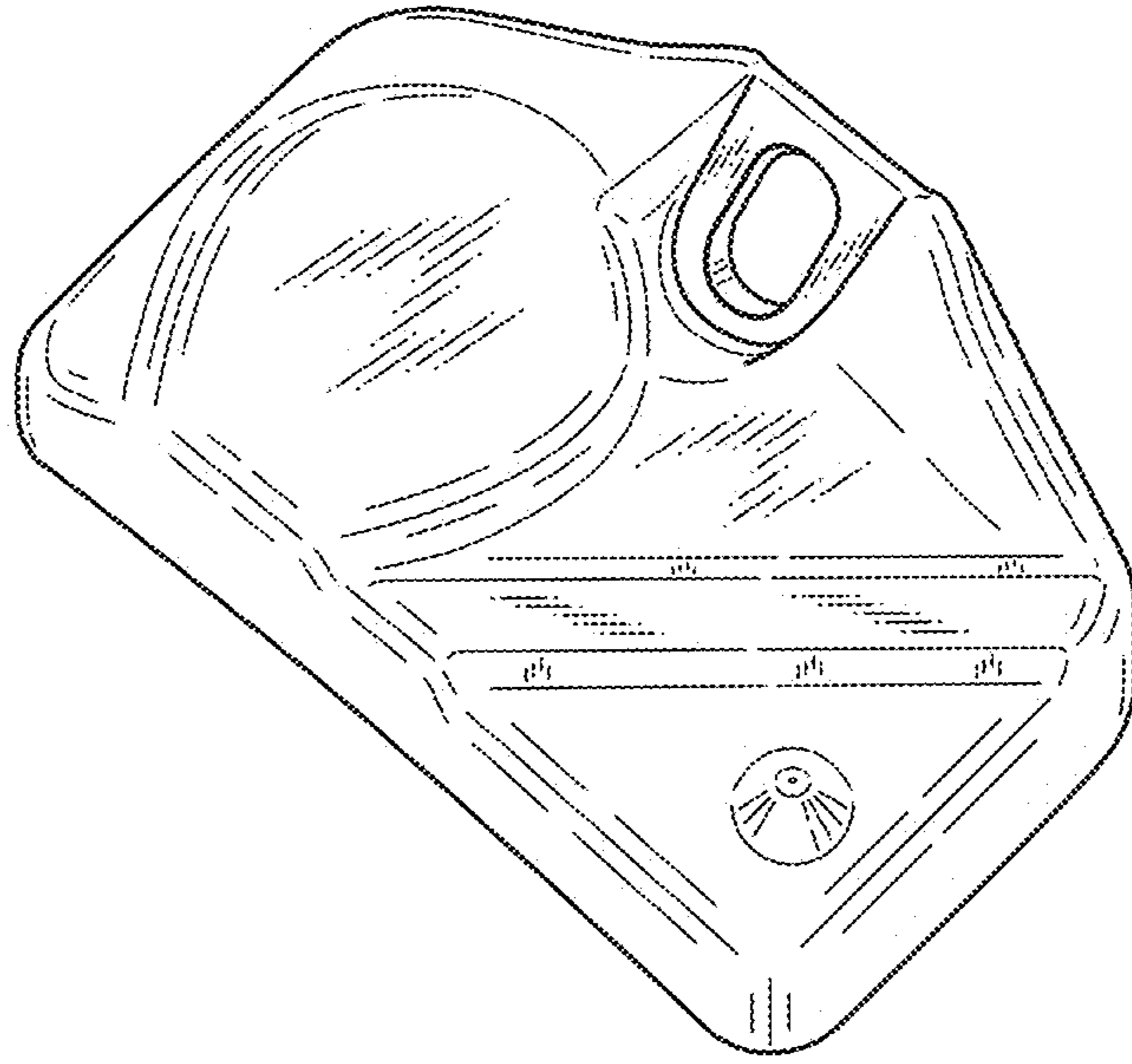


Fig. 2

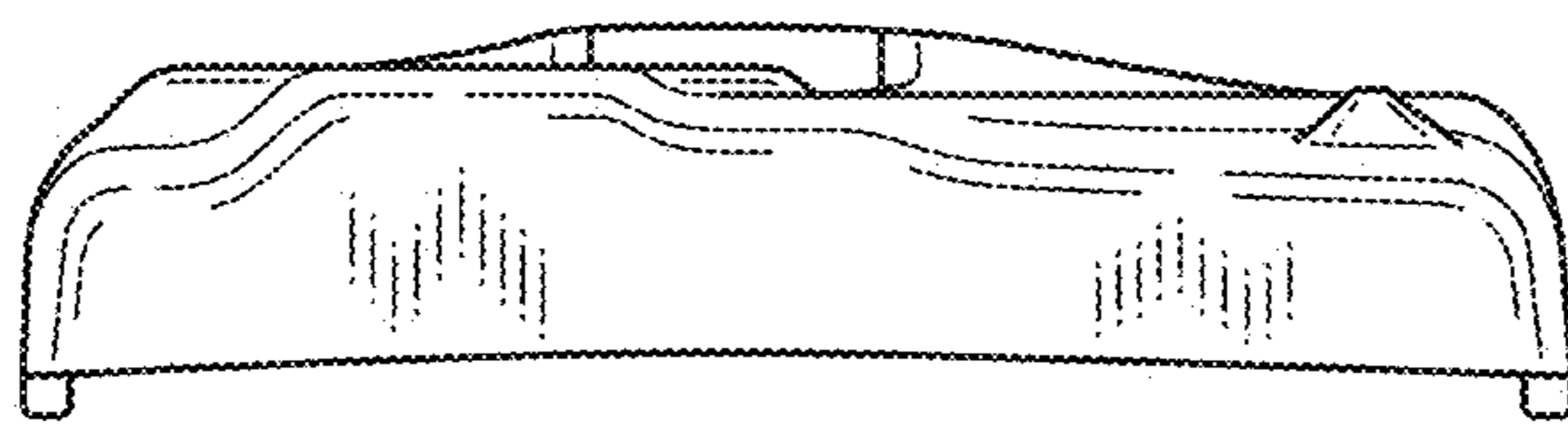


Fig. 3

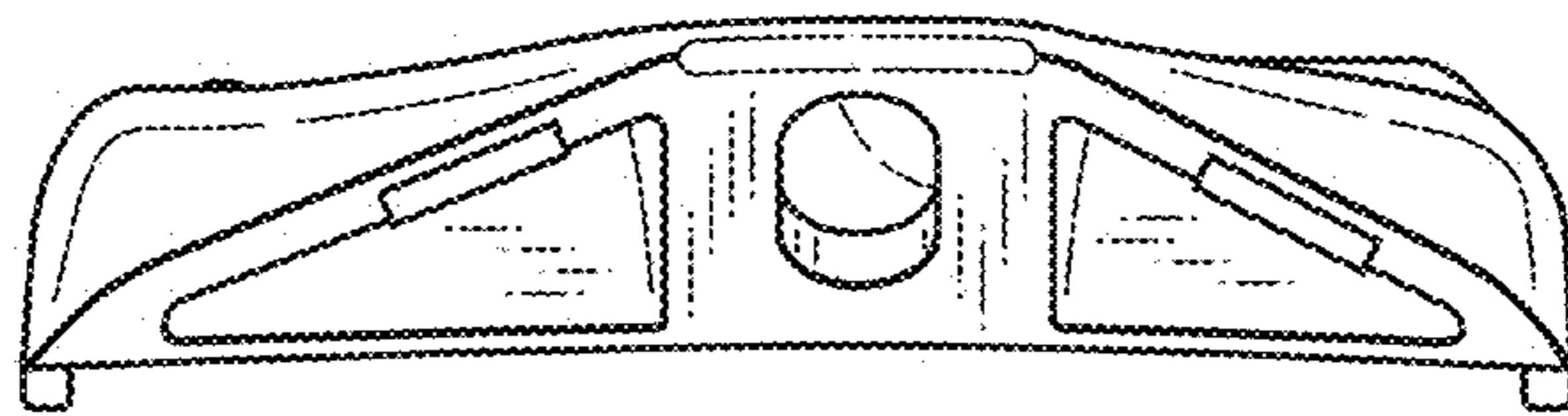


Fig.4



Fig.5



Fig.6

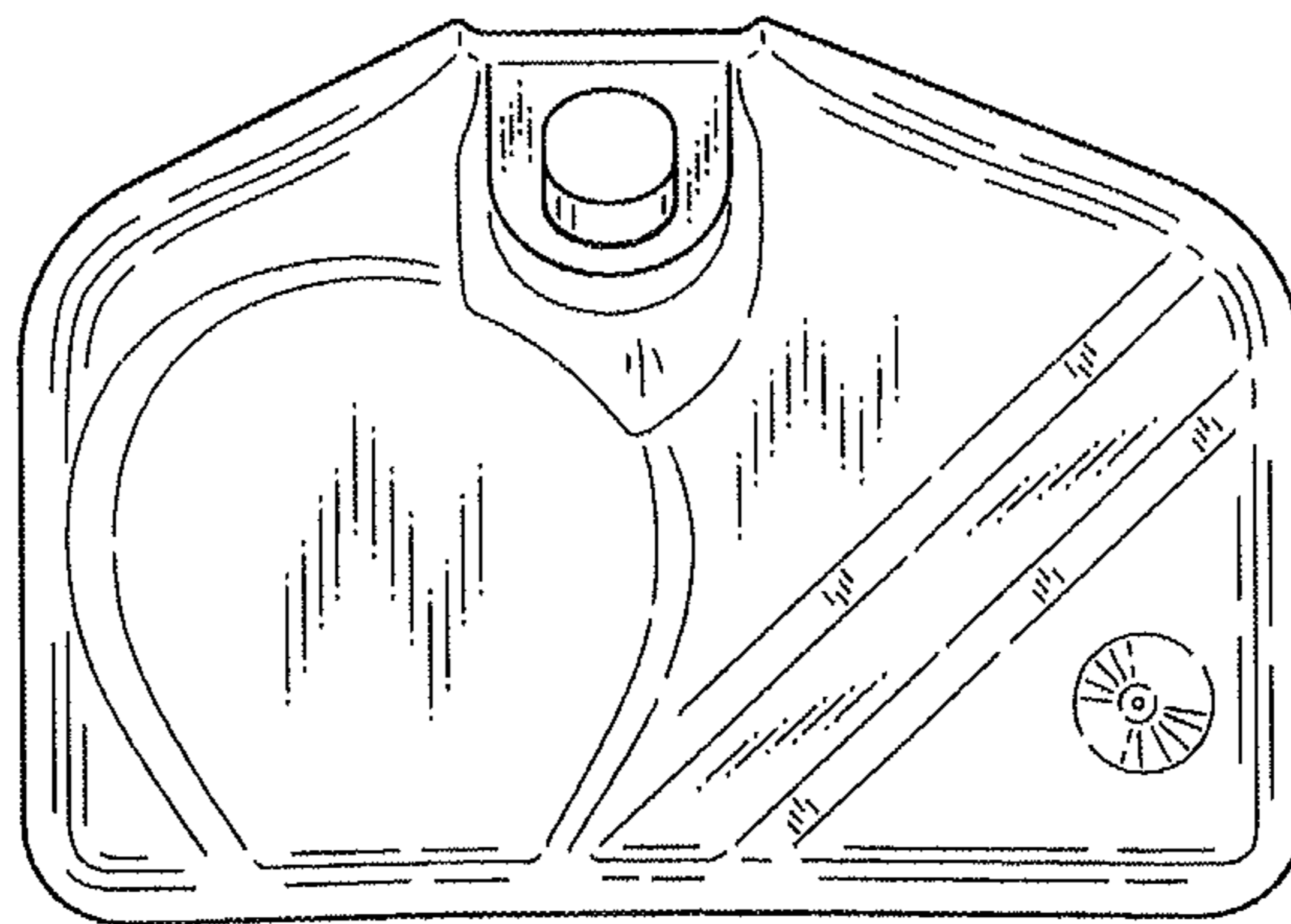


Fig.7

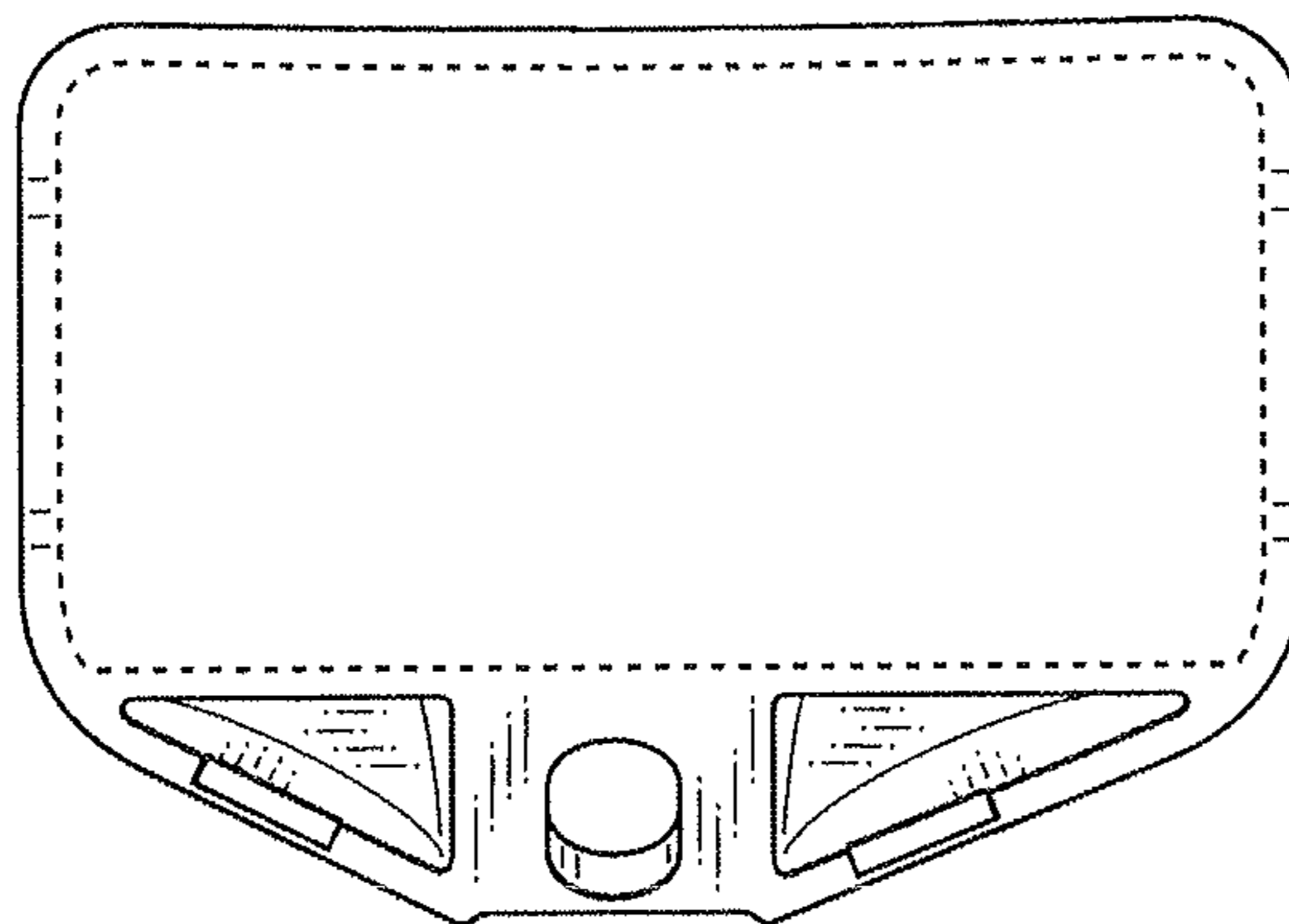


Fig. 8

