



US00D706655S

(12) **United States Design Patent**
Brandestini

(10) **Patent No.:** **US D706,655 S**
(45) **Date of Patent:** **** Jun. 10, 2014**

(54) **MEASURING INSTRUMENT**

(71) Applicant: **Proceq AG**, Schwerzenbach (CH)

(72) Inventor: **Marco Brandestini**, Lachen (CH)

(73) Assignee: **Proceq AG**, Schwerzenbach (CH)

(**) Term: **14 Years**

(21) Appl. No.: **29/441,978**

(22) Filed: **Jan. 11, 2013**

(30) **Foreign Application Priority Data**

Oct. 10, 2012 (CH) 139

(51) **LOC (10) Cl.** **10-04**

(52) **U.S. Cl.**
USPC **D10/82**

(58) **Field of Classification Search**
USPC D10/82-83; 73/79, 82, 114.59, 803;
116/208; 118/1.11 E, 1.11 L, 1.11 R,
118/1.11 W; 205/83; 257/48; 264/29.1,
264/29.7, 319, 642, 643; 324/239, 240,
324/233, 238, 225, 23, 236, 202, 207.2,
324/228, 251, 660, 754.27; 340/454;
428/66.2, 66.6; 436/149

See application file for complete search history.

(56) **References Cited**

U.S. PATENT DOCUMENTS

D672,260 S * 12/2012 Irokawa et al. D10/83
D672,669 S * 12/2012 Irokawa et al. D10/83
8,570,030 B2 * 10/2013 Morton 324/207.2

* cited by examiner

Primary Examiner — Antoine D Davis

(74) *Attorney, Agent, or Firm* — Muncy, Geissler, Olds & Lowe, P.C.

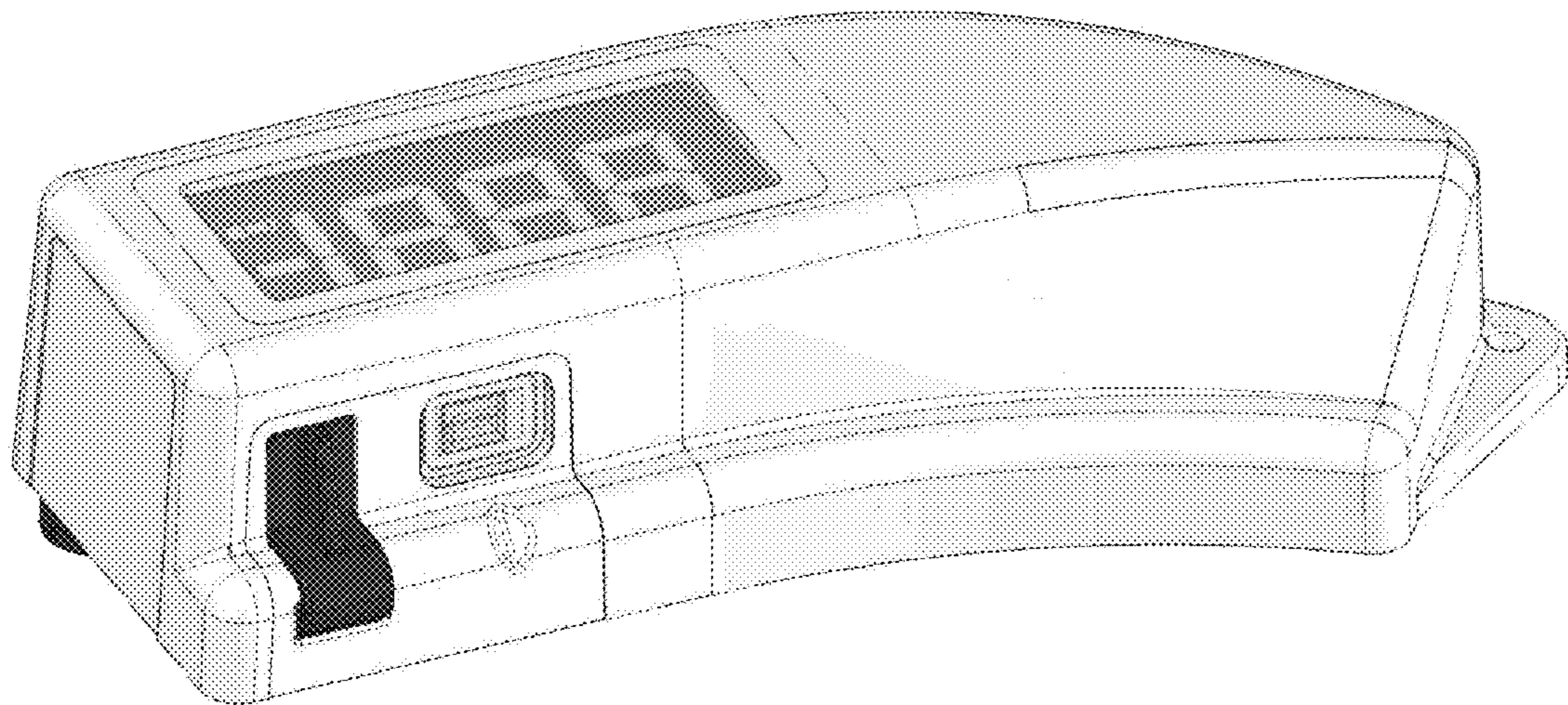
(57) **CLAIM**

I claim, the ornamental design for a measuring instrument, as shown and described.

DESCRIPTION

FIG. 1 is a front perspective view of a measuring instrument, showing my new design;
FIG. 2 is a rear perspective view thereof;
FIG. 3 is a top plan view thereof;
FIG. 4 is a bottom plan view thereof;
FIG. 5 is a front elevation view thereof;
FIG. 6 is a rear elevation view thereof;
FIG. 7 is a side elevation view thereof taken from the right of FIG. 5; and,
FIG. 8 is a side elevation view thereof taken from the left of FIG. 5.

1 Claim, 7 Drawing Sheets



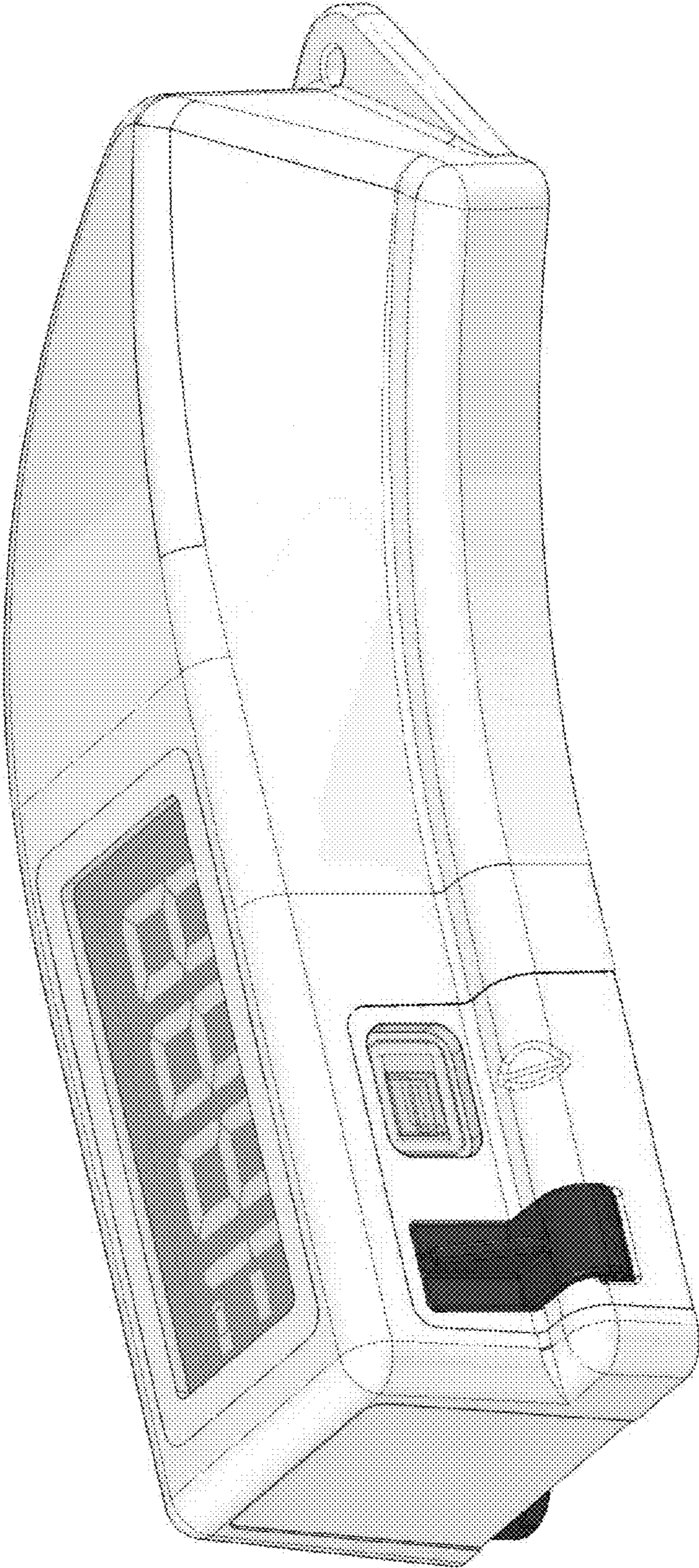


FIGURE 1

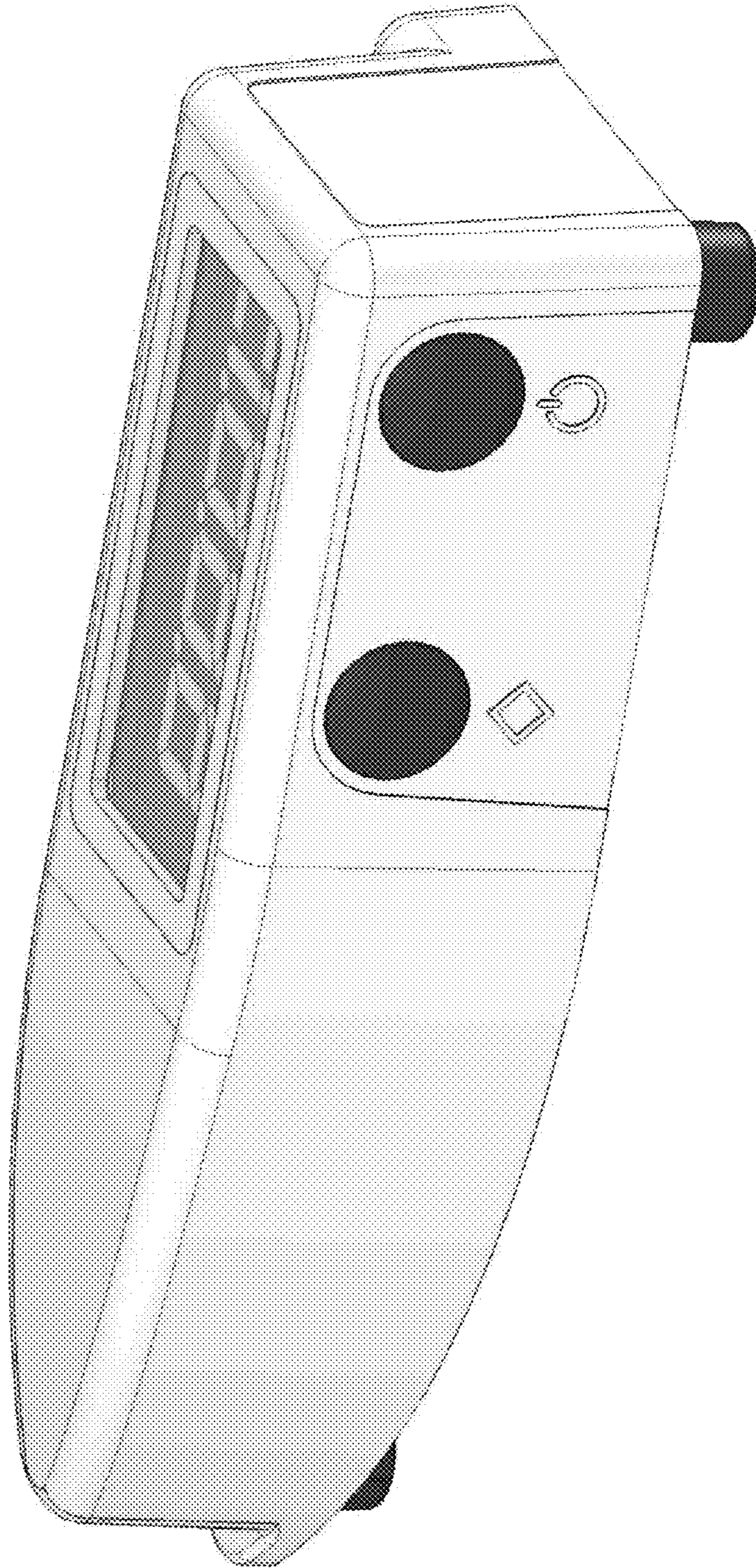


FIGURE 2



FIGURE 3

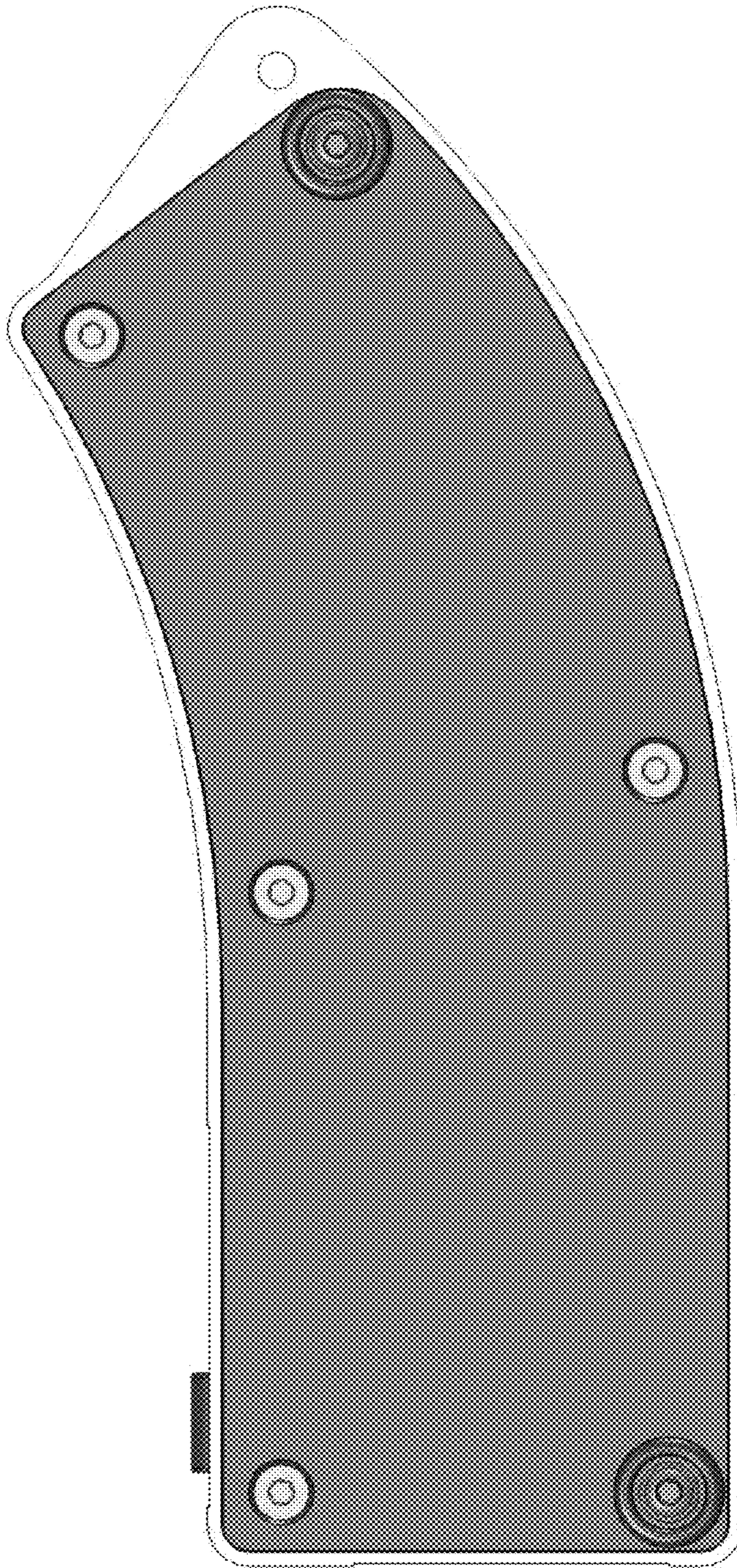


FIGURE 4

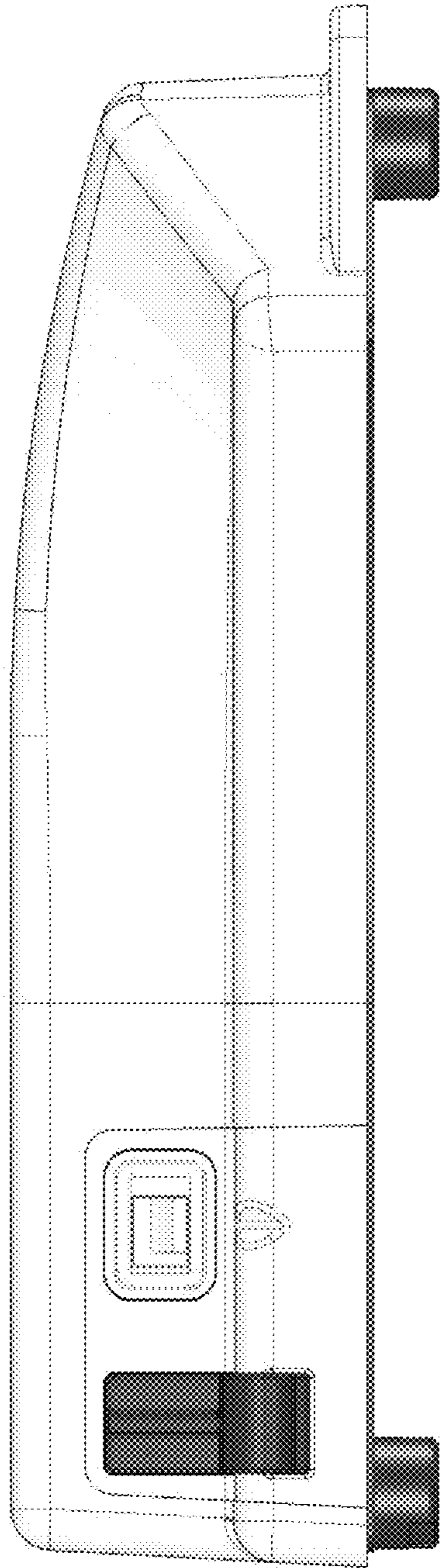


FIGURE 5

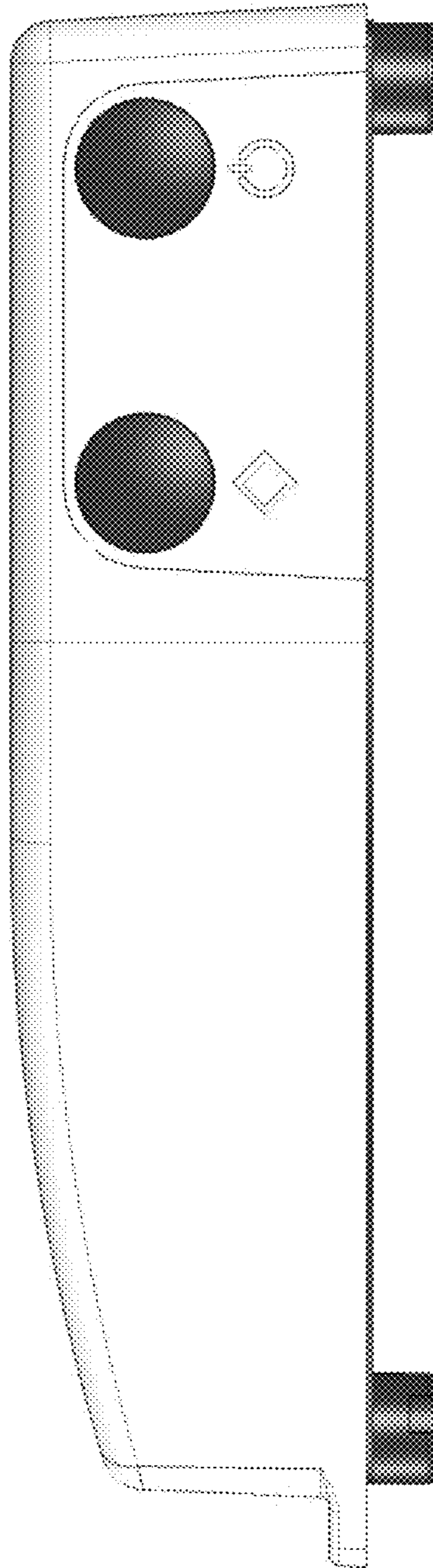


FIGURE 6

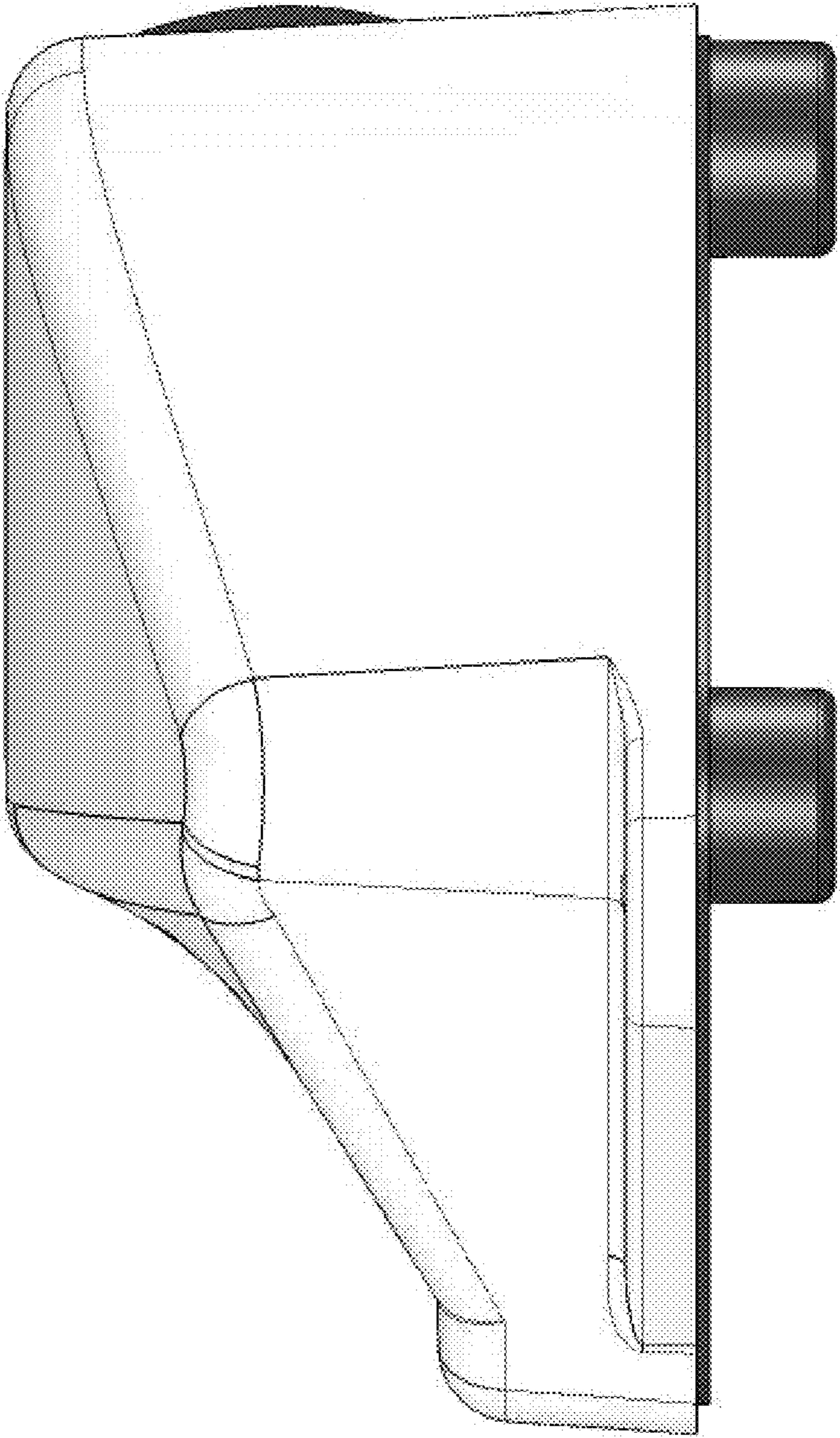


FIGURE 7

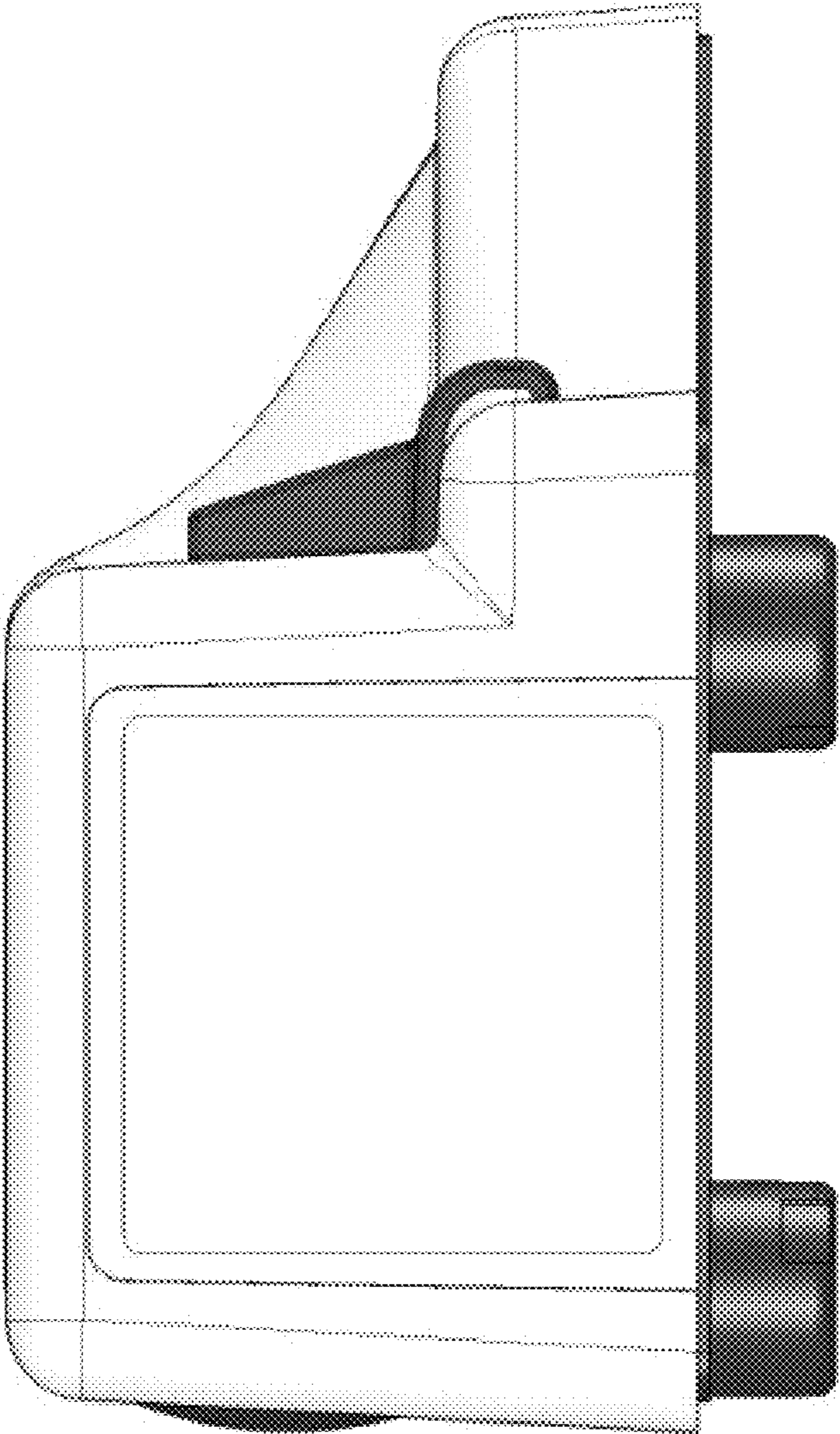


FIGURE 8