



US00D706653S

(12) **United States Design Patent**
Willett

(10) **Patent No.:** **US D706,653 S**
(45) **Date of Patent:** **** Jun. 10, 2014**

(54) **GOBBLER GAUGE**

(71) Applicant: **Roger J. Willett**, Covington, IN (US)

(72) Inventor: **Roger J. Willett**, Covington, IN (US)

(73) Assignee: **Roger J. Willett**, Covington, IN (US)

(**) Term: **14 Years**

(21) Appl. No.: **29/449,024**

(22) Filed: **Mar. 14, 2013**

(51) **LOC (10) Cl.** **10-04**

(52) **U.S. Cl.**
USPC **D10/71**

(58) **Field of Classification Search**

CPC A22B 5/0064; A01K 29/00; A01K 45/00;
A47J 43/28; A23L 1/0107; G01B 3/20;
G01B 5/02
USPC D10/70, 71, 74; 33/464, 484, 511, 783,
33/809, 810, 832, 833; 99/342, 343;
119/174; 283/48.1

See application file for complete search history.

(56) **References Cited**

U.S. PATENT DOCUMENTS

575,671 A * 1/1897 Watts et al. 33/485
D199,862 S * 12/1964 Lowery D10/71
D264,824 S * 6/1982 Sandel D10/71
D271,821 S * 12/1983 Kelson D3/18
6,128,824 A * 10/2000 Yang 33/511

6,647,635 B1 * 11/2003 Banfield 33/511
2005/0279221 A1 * 12/2005 Jantz 99/342
2006/0119095 A1 * 6/2006 Heffernon 283/48.1

* cited by examiner

Primary Examiner — Antoine D Davis

(74) *Attorney, Agent, or Firm* — Woodard, Emhardt,
Moriarty, McNett & Henry LLP

(57) **CLAIM**

The ornamental design for a gobbler gauge, as shown and described.

DESCRIPTION

FIG. 1 is a front perspective view of a gobbler gauge showing my new design;

FIG. 2 is a rear perspective view thereof;

FIG. 3 is a front elevational view thereof;

FIG. 4 is a rear elevational view thereof;

FIG. 5 is a side elevational view thereof;

FIG. 6 is a top plan view thereof;

FIG. 7 is a bottom plan view thereof;

FIG. 8 is a front elevational view thereof showing the internal plunger fully retracted and a measuring tape extended;

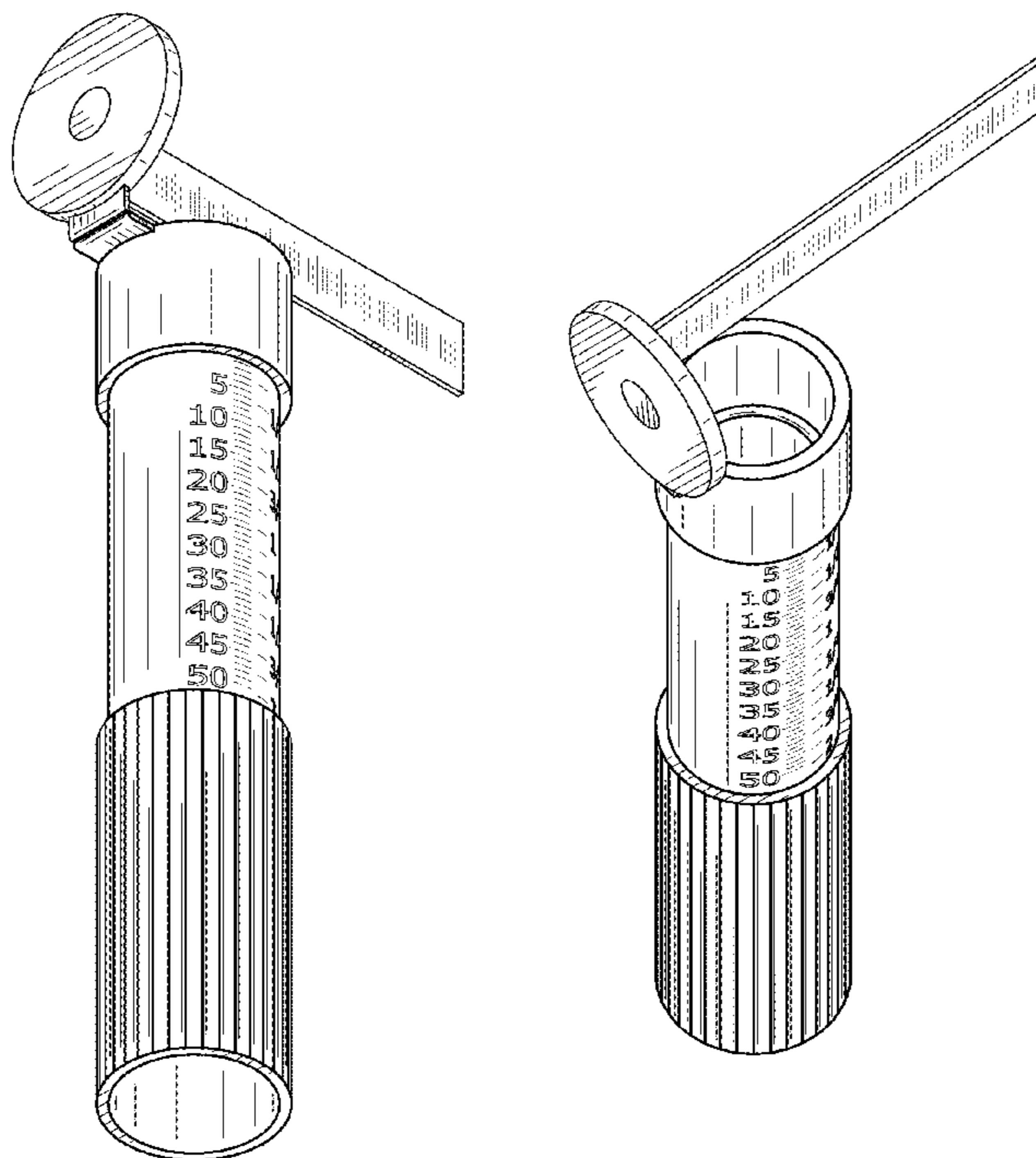
FIG. 9 is a bottom perspective view thereof showing the internal plunger fully retracted and the measuring tape extended;

FIG. 10 is a top perspective view thereof showing the internal plunger fully retracted and the measuring tape extended;

FIG. 11 is a top plan view thereof showing the measuring tape extended; and,

FIG. 12 is a second top perspective view thereof showing the internal plunger fully retracted and the measuring tape extended.

1 Claim, 6 Drawing Sheets



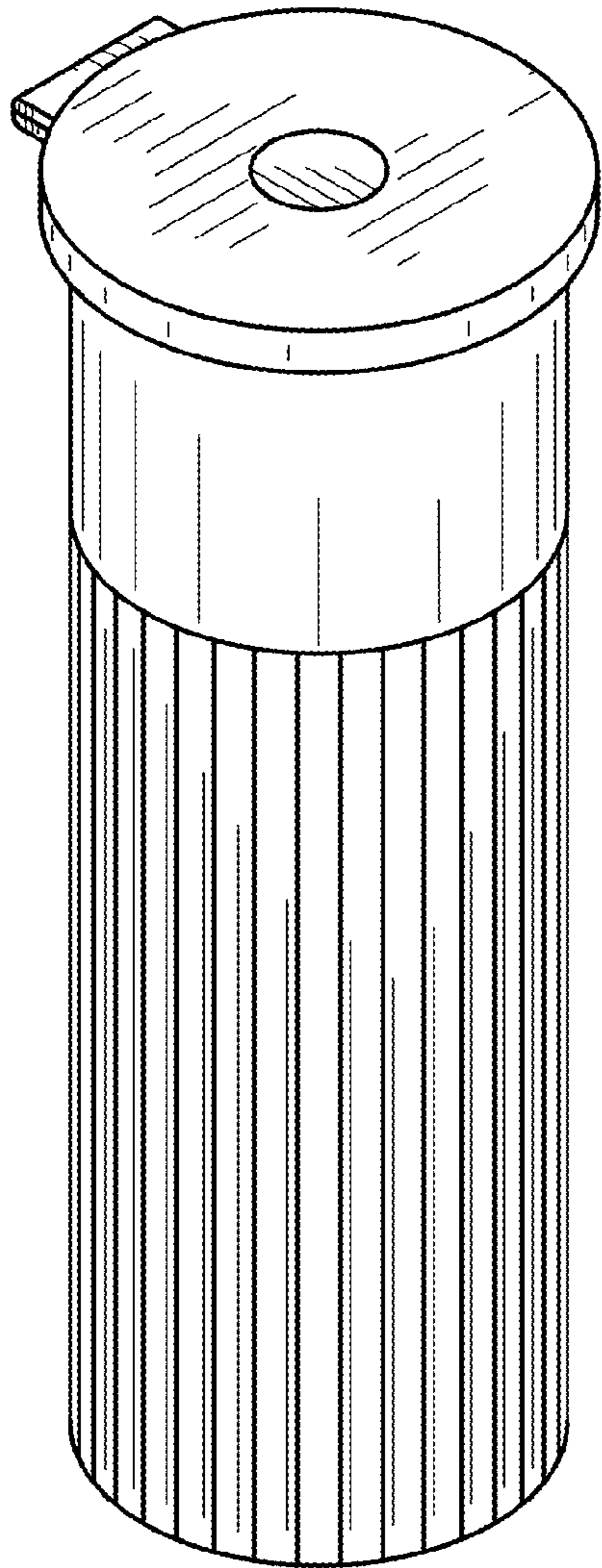


FIG. 1

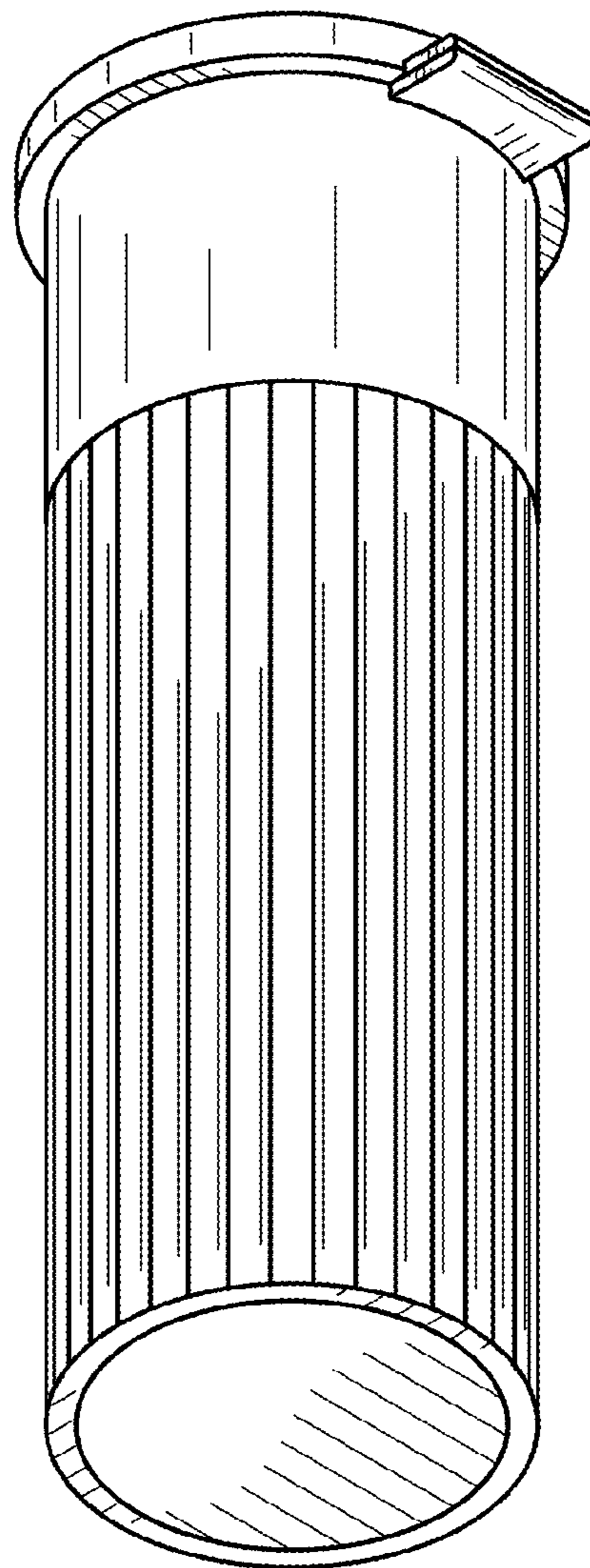


FIG. 2

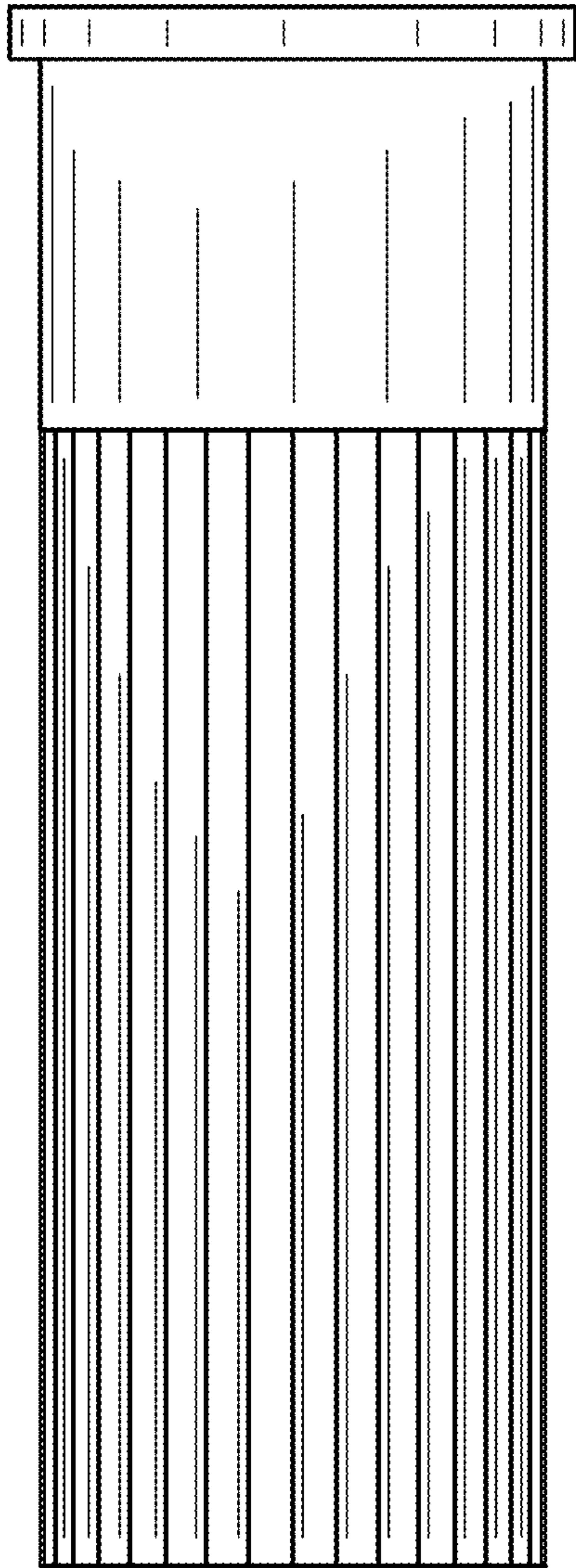


FIG. 3

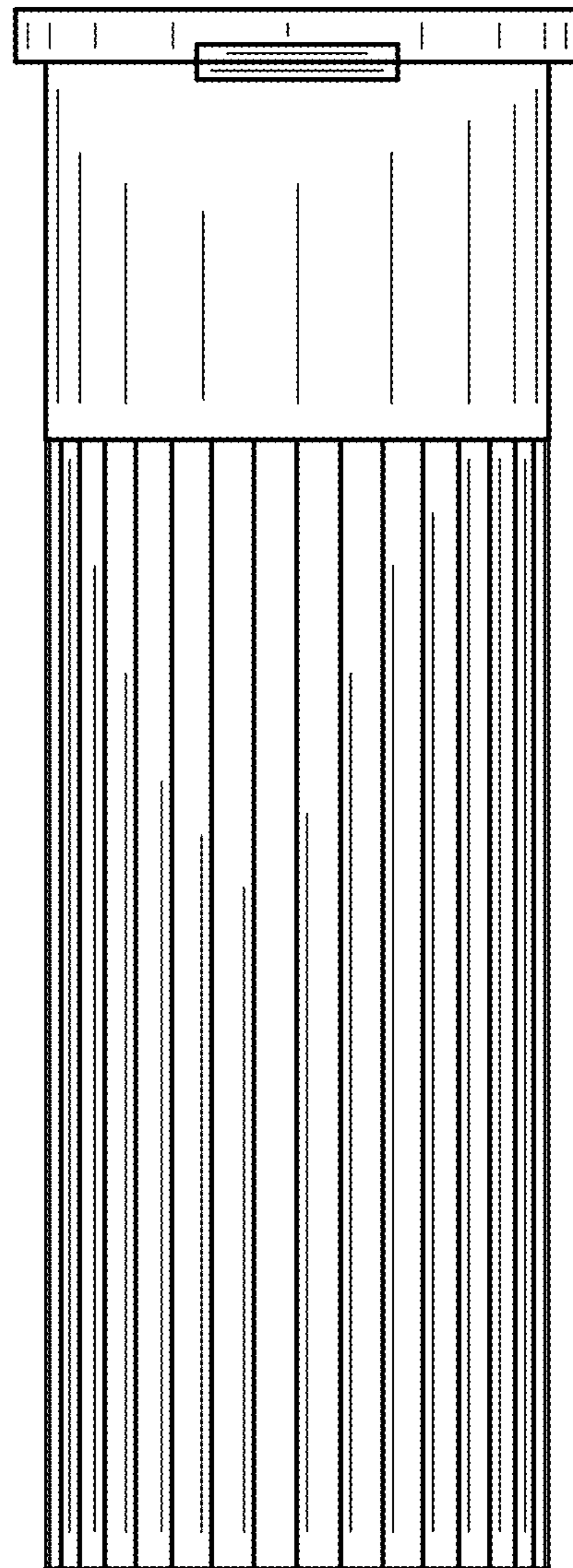


FIG. 4

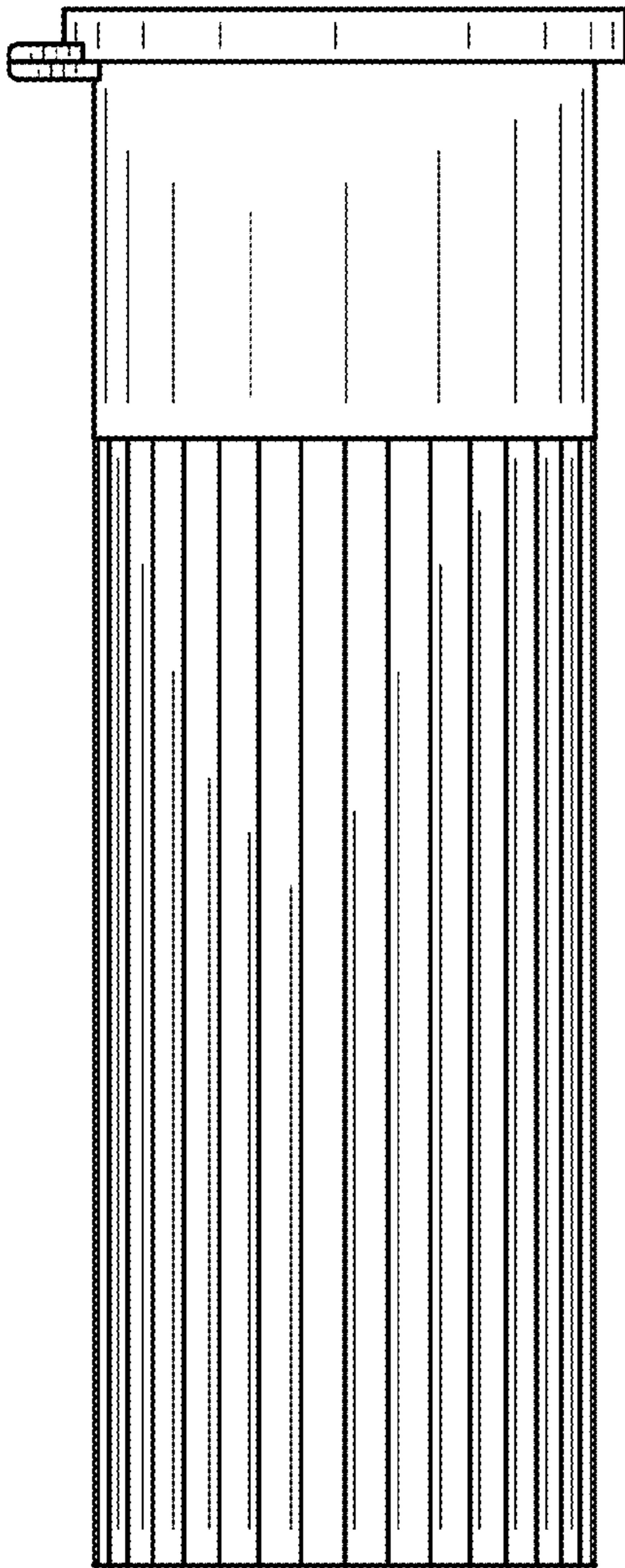


FIG. 5

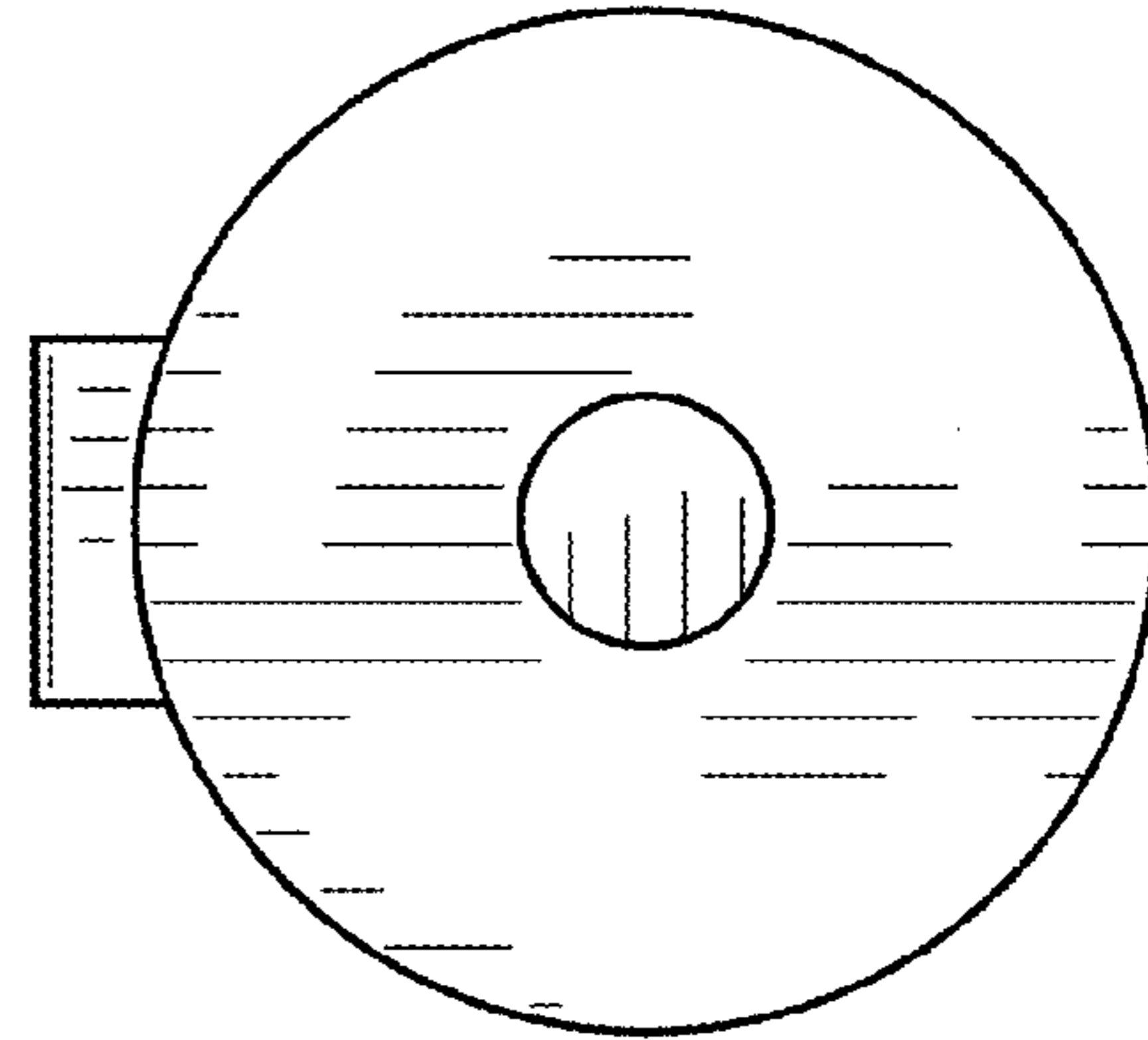


FIG. 6

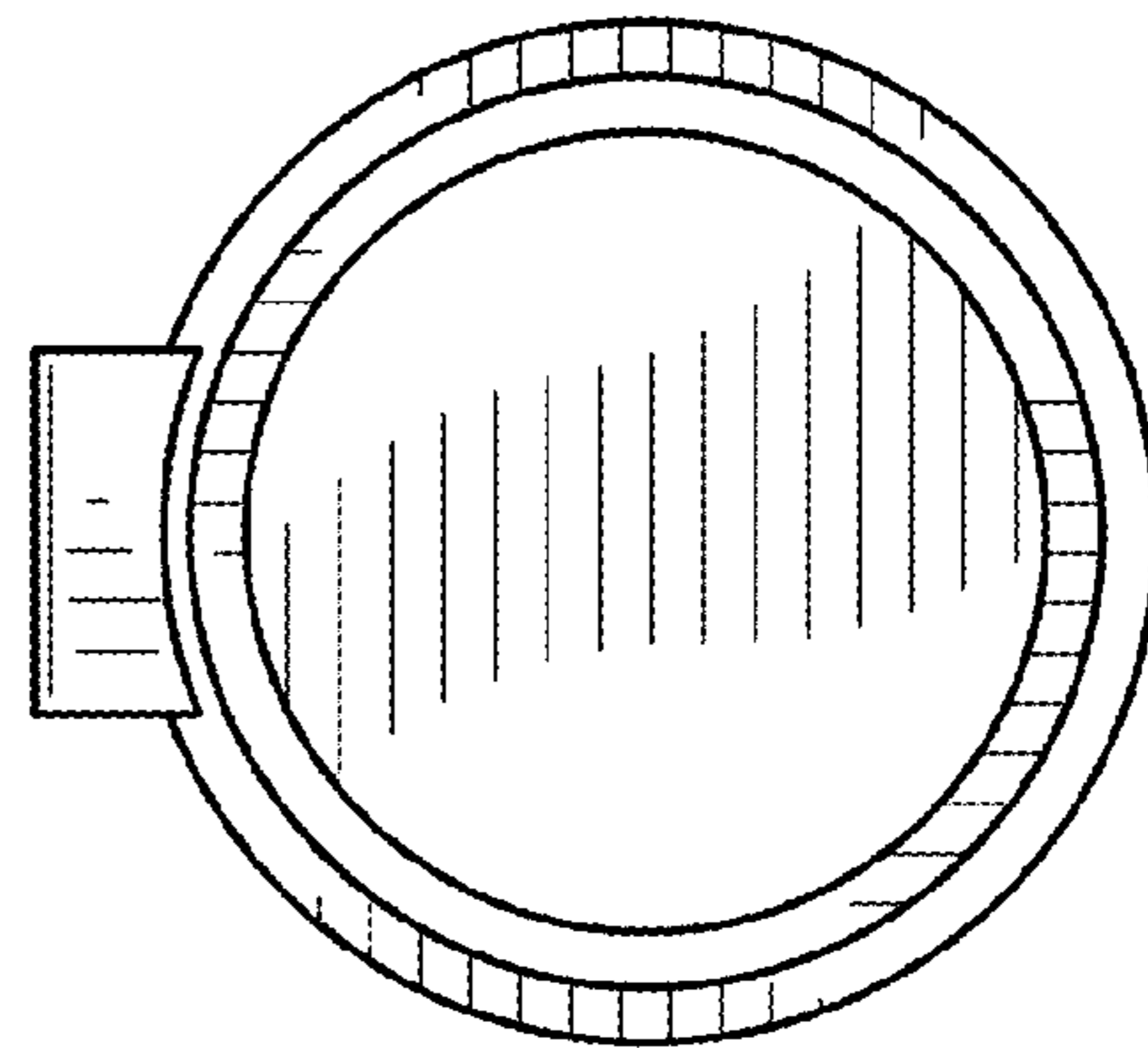


FIG. 7

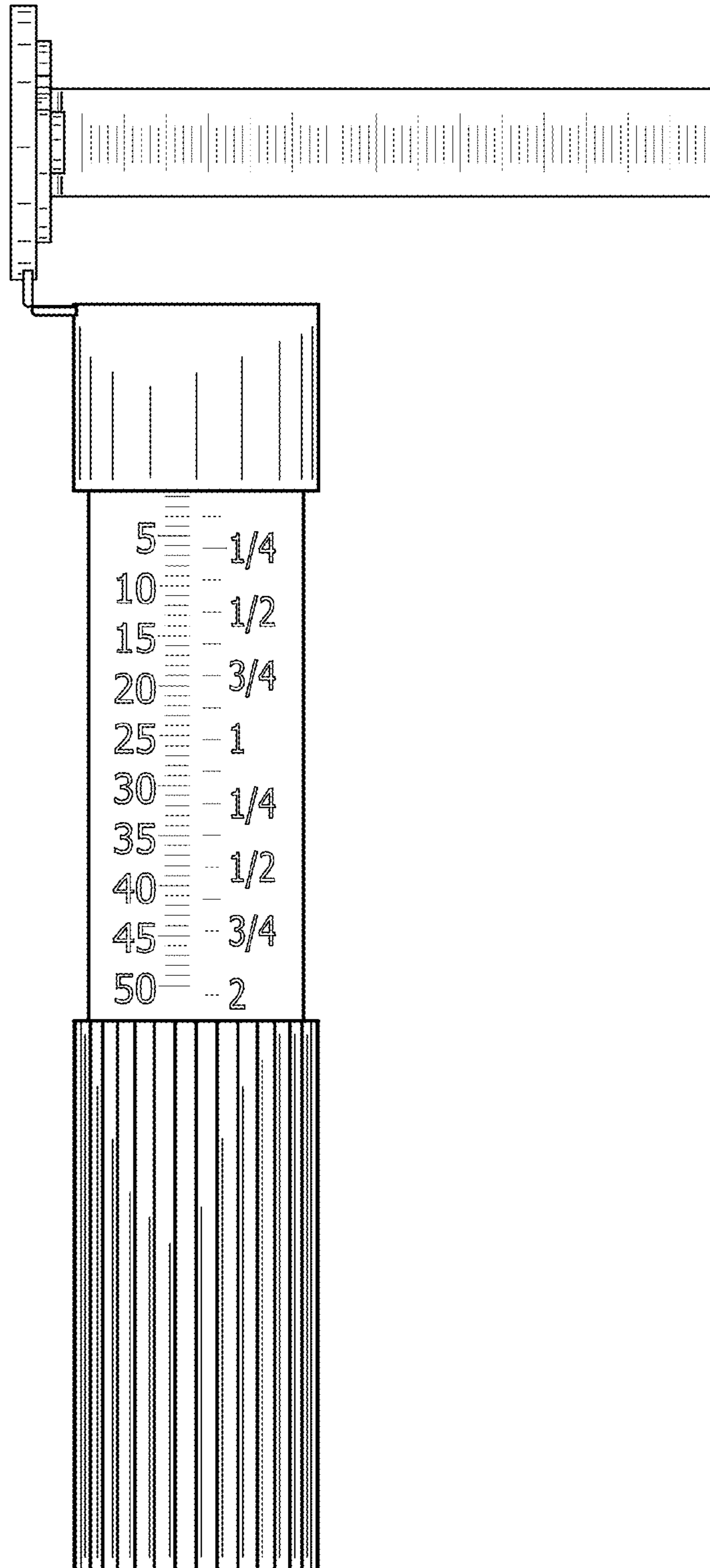


FIG. 8

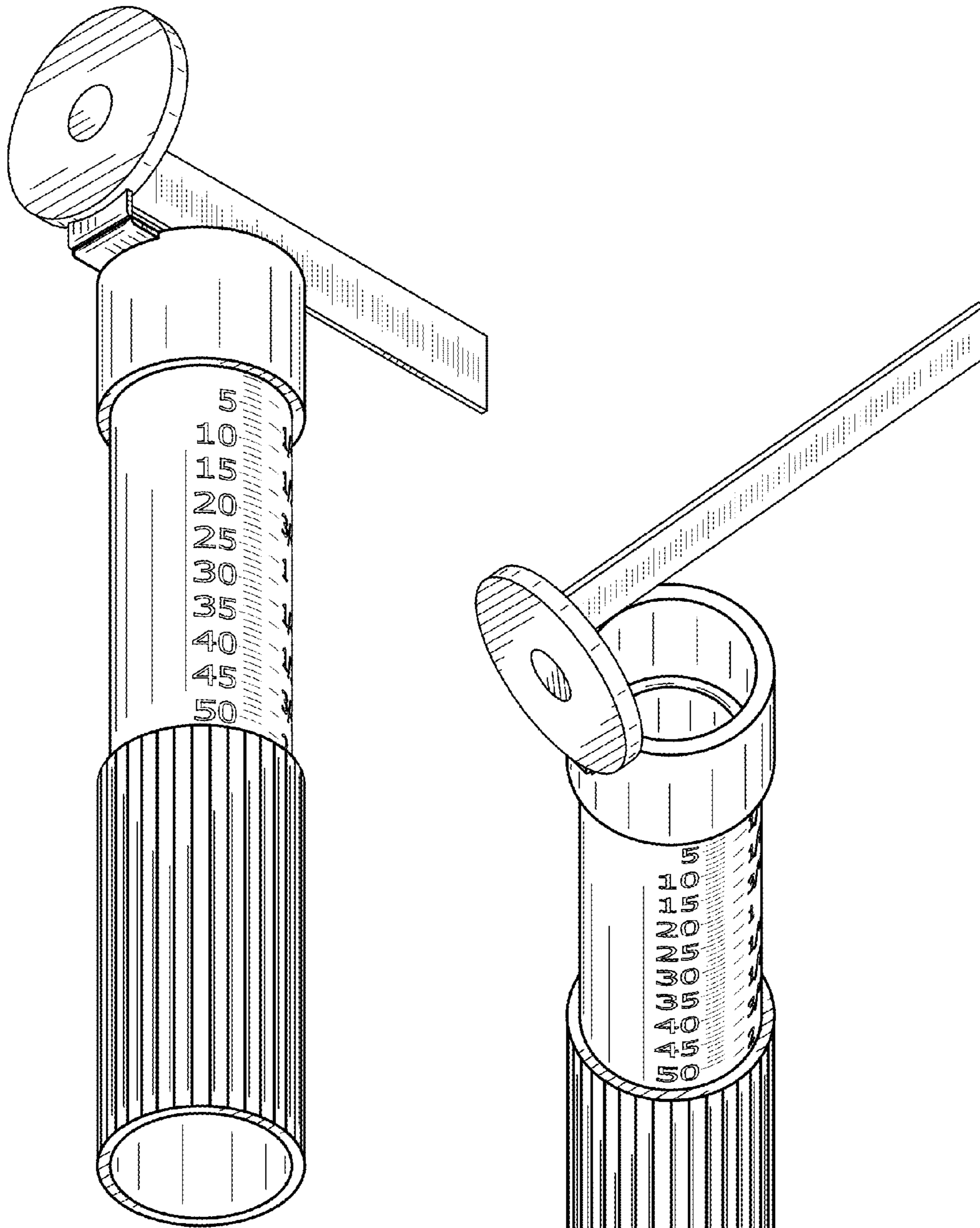


FIG. 9

FIG. 10

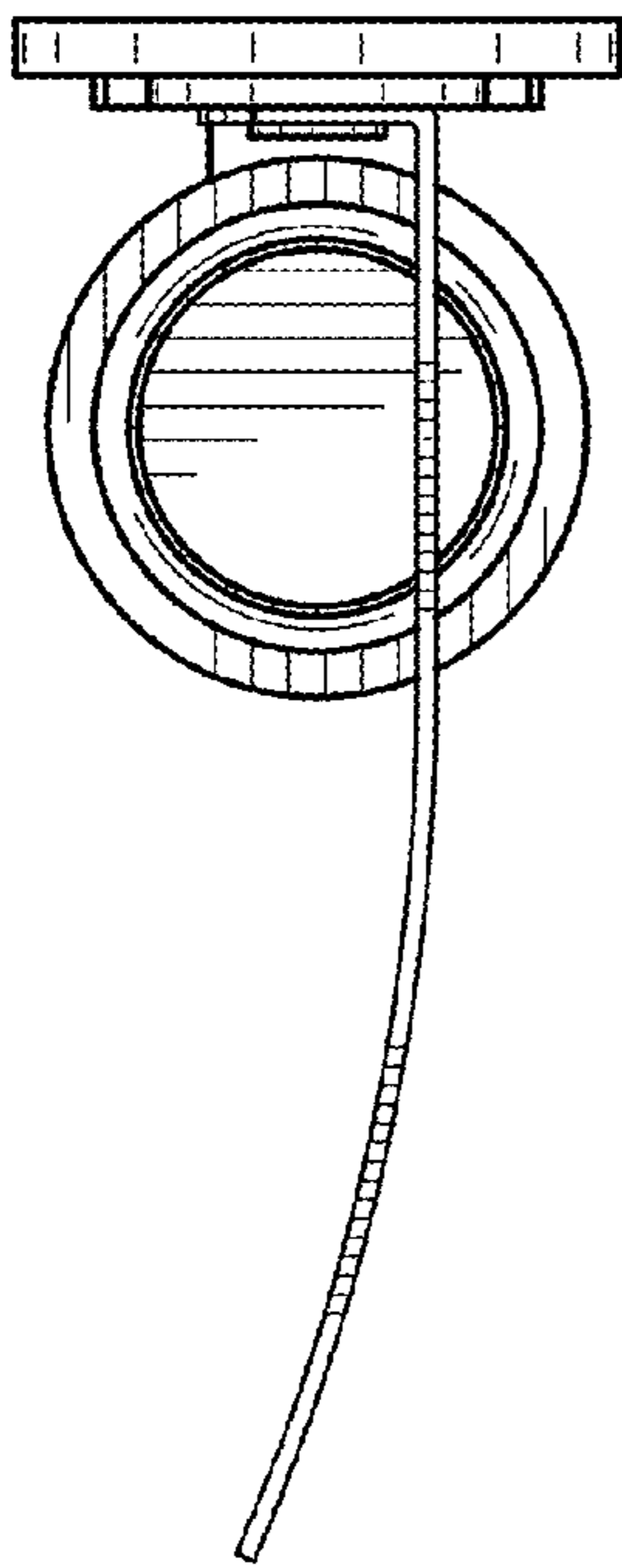


FIG. 11

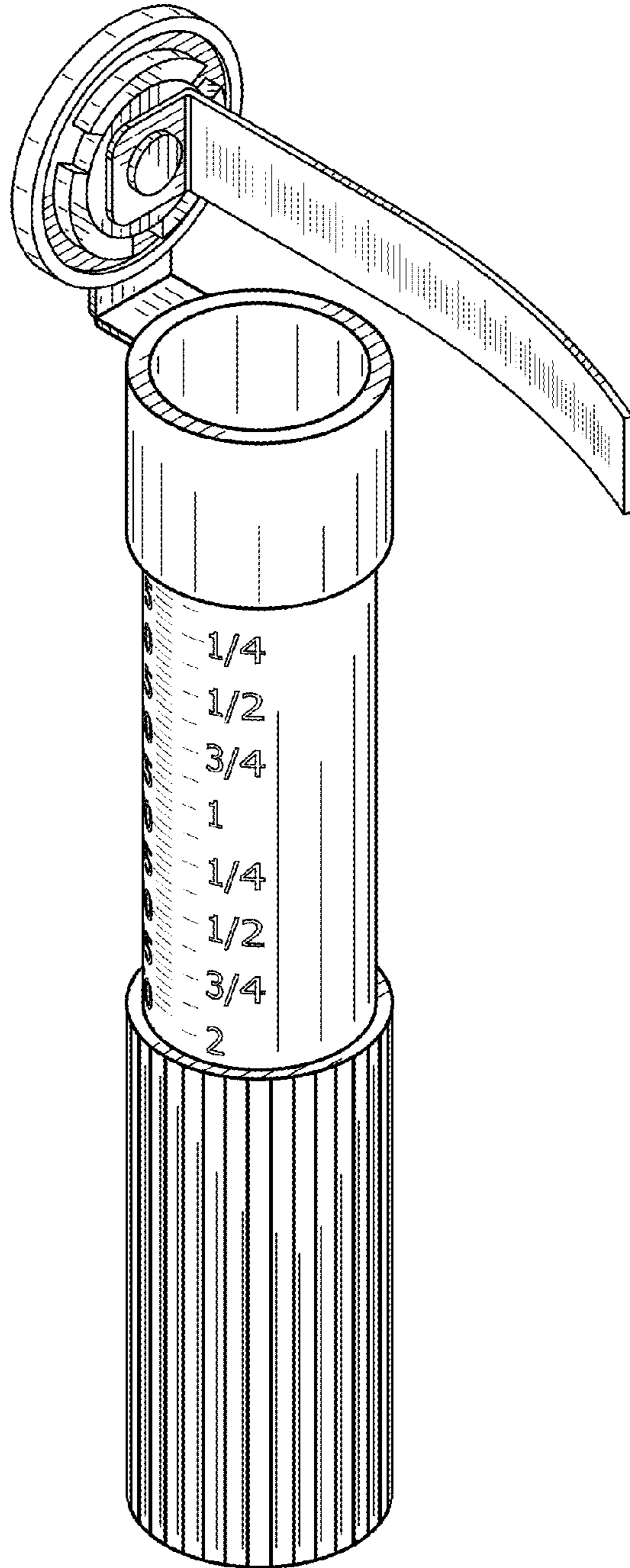


FIG. 12