



US00D706652S

(12) **United States Design Patent**  
**Cipriano**

(10) **Patent No.:** **US D706,652 S**  
(45) **Date of Patent:** **\*\* Jun. 10, 2014**

(54) **APPARATUS FOR MEASURING CUTS**

7,472,492 B1 \* 1/2009 Vecchio ..... 33/562

(71) Applicant: **Chris Cipriano**, Cranston, RI (US)

\* cited by examiner

(72) Inventor: **Chris Cipriano**, Cranston, RI (US)

*Primary Examiner* — Antoine D Davis

(\*\*) Term: **14 Years**

(74) *Attorney, Agent, or Firm* — Barlow, Josephs & Holmes, Ltd.

(21) Appl. No.: **29/441,907**

(57) **CLAIM**

(22) Filed: **Jan. 10, 2013**

The ornamental design for an apparatus for measuring cuts, as shown and described.

(51) **LOC (10) Cl.** ..... **10-04**

(52) **U.S. Cl.**

USPC ..... **D10/65**

(58) **Field of Classification Search**

USPC ..... D10/63–65; 30/292; 33/1 B, 1 G, 1 K,  
33/262, 489, 520, 528, 562, 563, 566;  
83/56; 156/71, 227, 248; 434/90

See application file for complete search history.

**DESCRIPTION**

FIG. 1 is a perspective view of the apparatus for measuring cuts in accordance with the invention;

FIG. 1A is a perspective view thereof;

FIG. 2 is a top view thereof;

FIG. 3 is a perspective view of another embodiment of the apparatus for measuring cuts in accordance with the invention;

FIG. 4 is a perspective view of another embodiment of the apparatus for measuring cuts in accordance with the invention; and,

FIG. 5 is a perspective view of another embodiment of the apparatus for measuring cuts in accordance with the invention.

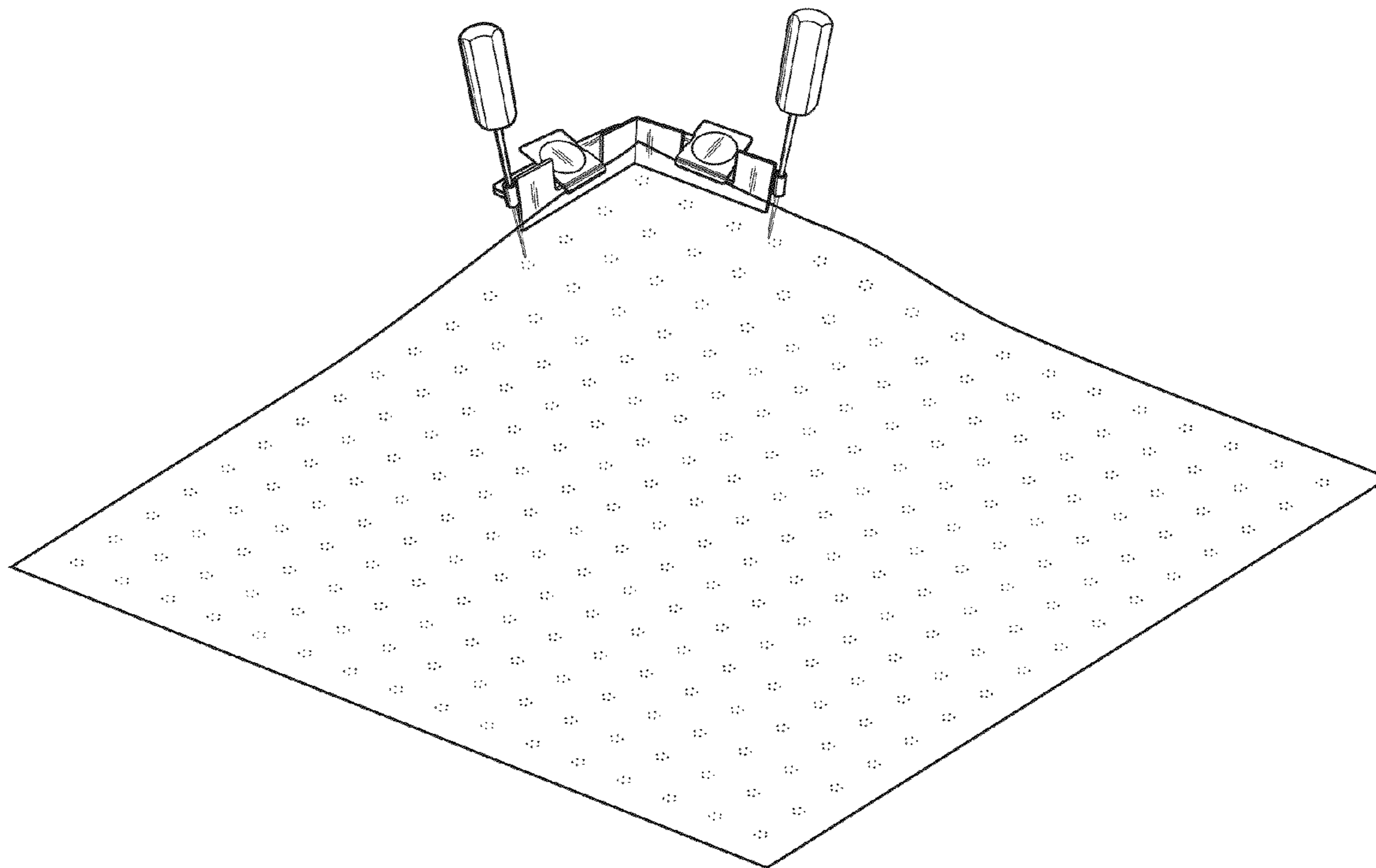
The sheet portion of the claim in both embodiments are identical.

(56) **References Cited**

**U.S. PATENT DOCUMENTS**

|           |    |         |              |
|-----------|----|---------|--------------|
| 4,498,238 | A  | 2/1985  | Vaughn       |
| 5,491,902 | A  | 2/1996  | Uhrin et al. |
| 5,557,996 | A  | 9/1996  | Reber et al. |
| 5,673,490 | A  | 10/1997 | Hill         |
| 5,922,157 | A  | 7/1999  | Snider       |
| 6,049,987 | A  | 4/2000  | Robell       |
| 6,834,438 | B1 | 12/2004 | Heister      |
| 7,178,249 | B2 | 2/2007  | Schafer      |

**1 Claim, 6 Drawing Sheets**



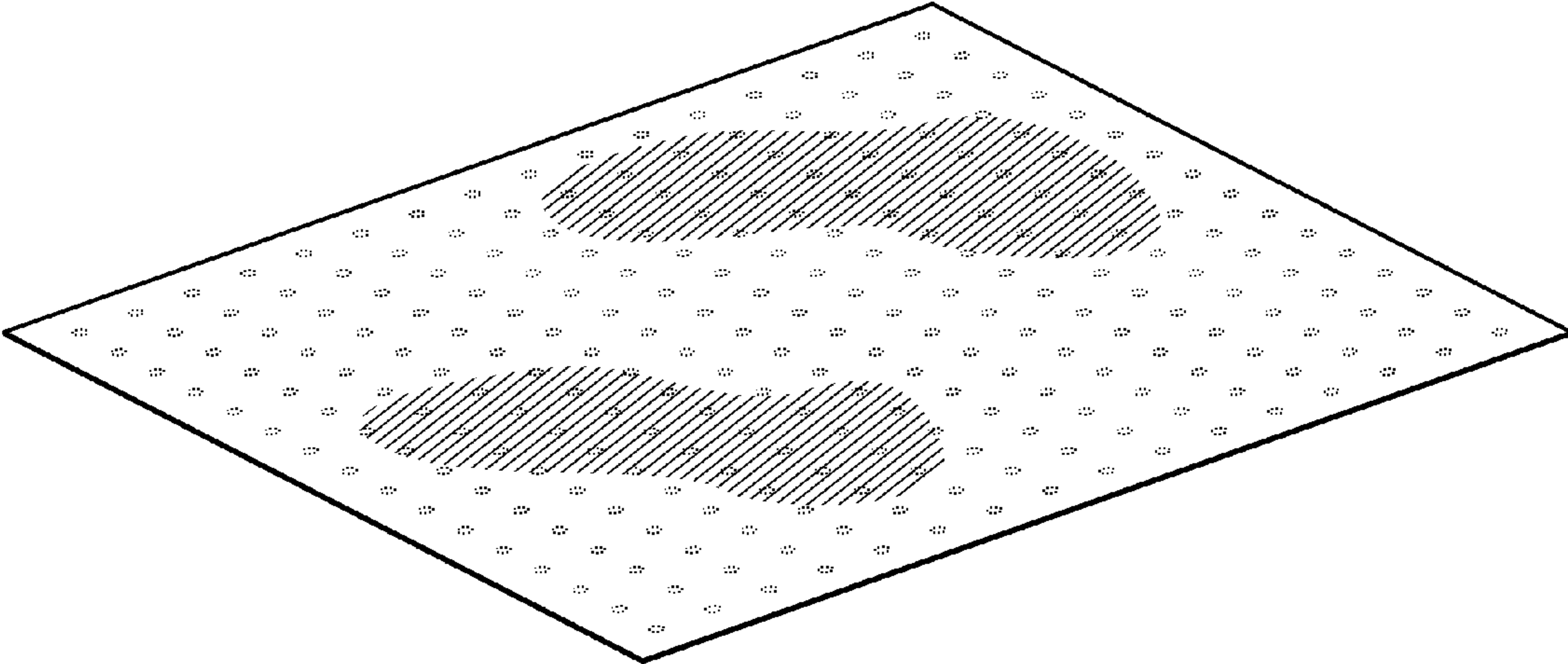


Fig. 1

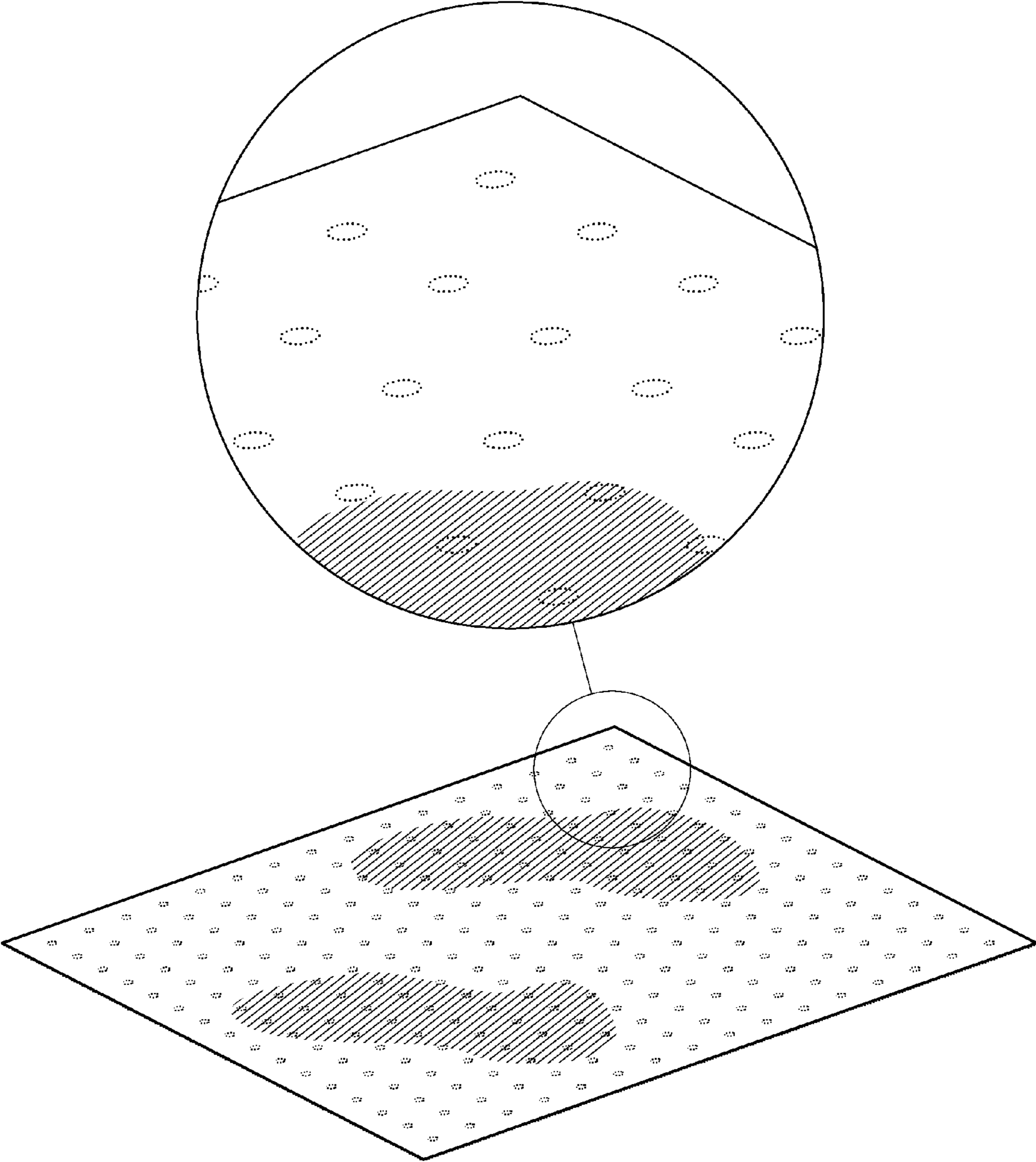


Fig. 1A

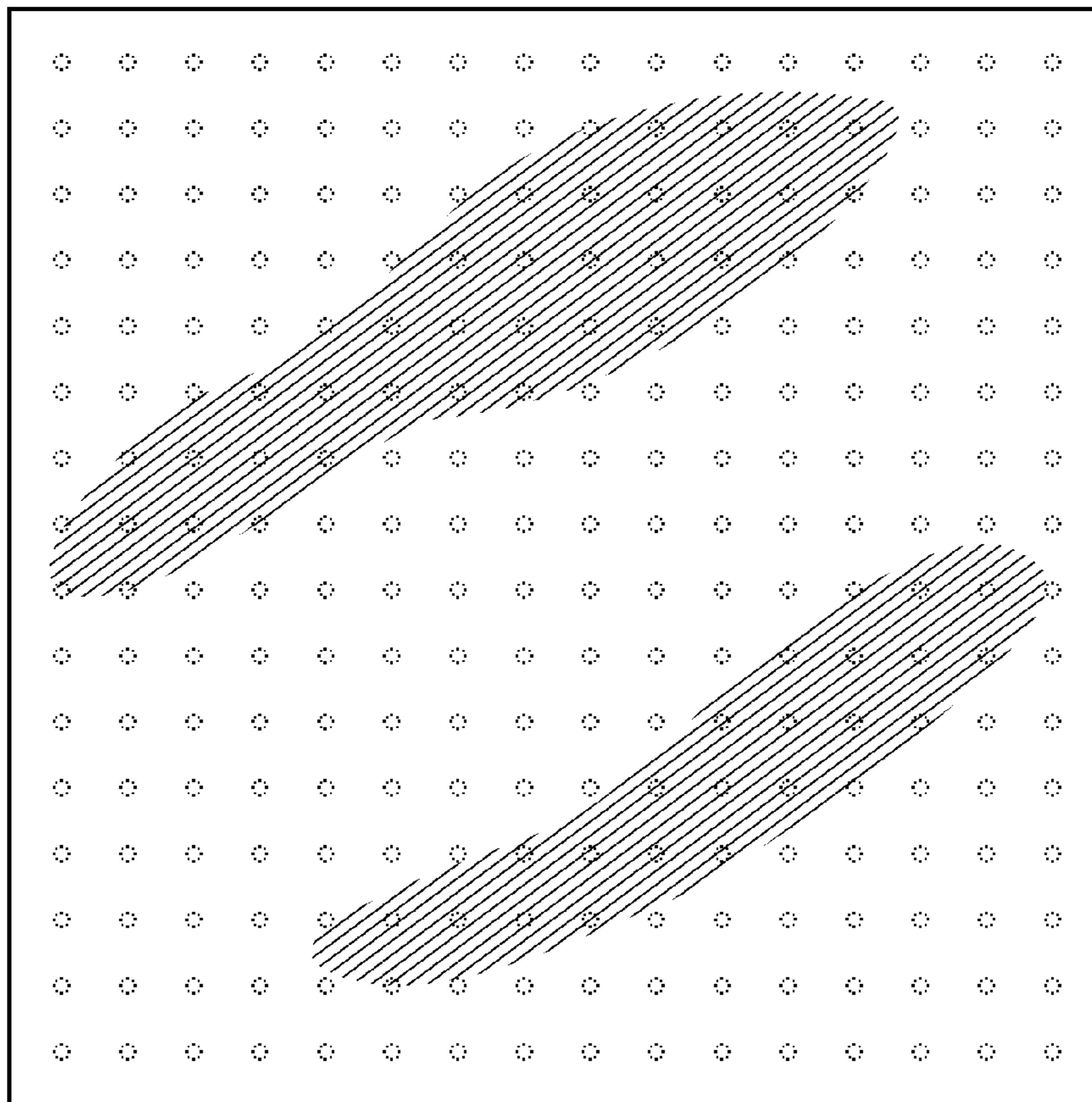


Fig. 2

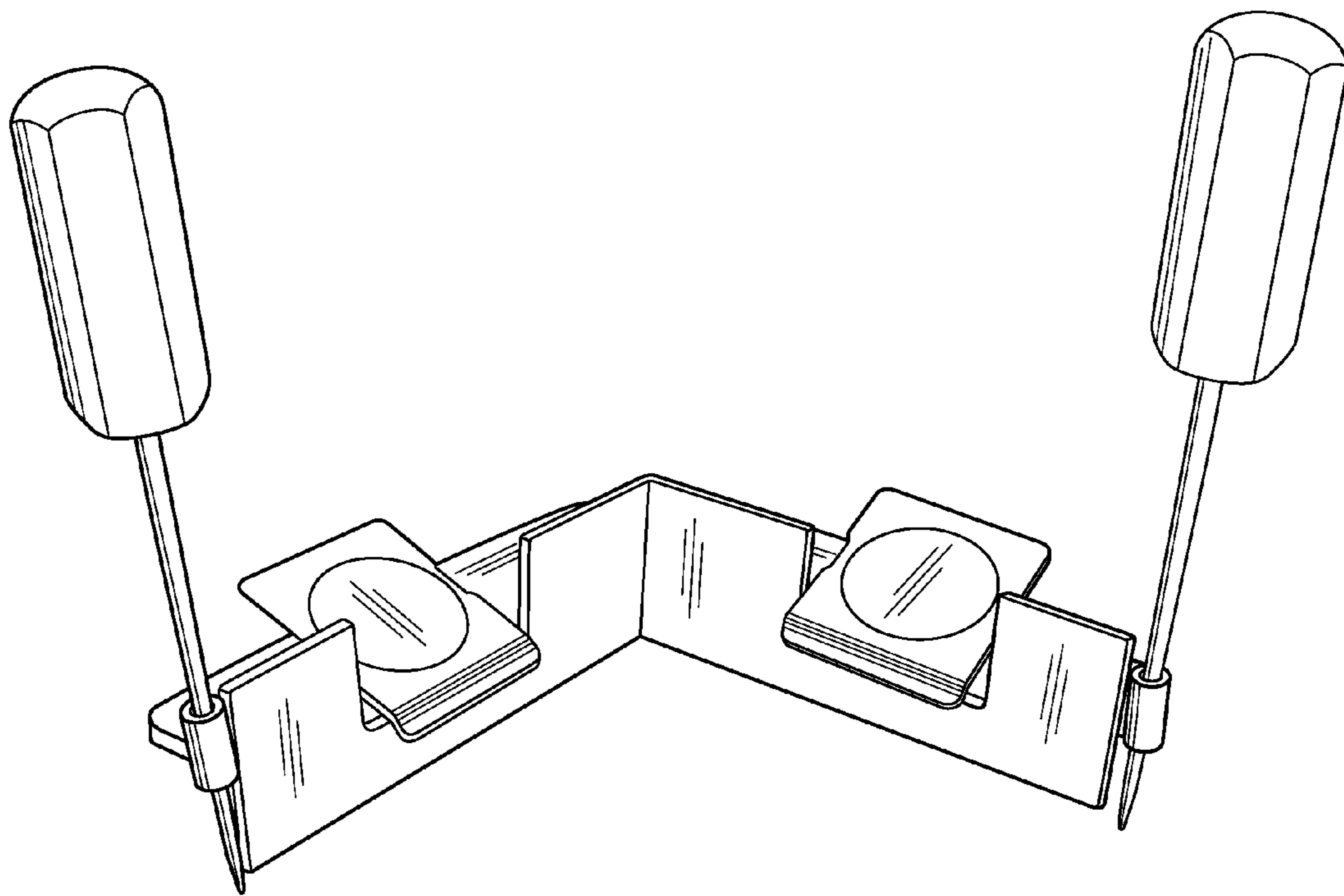


Fig. 3



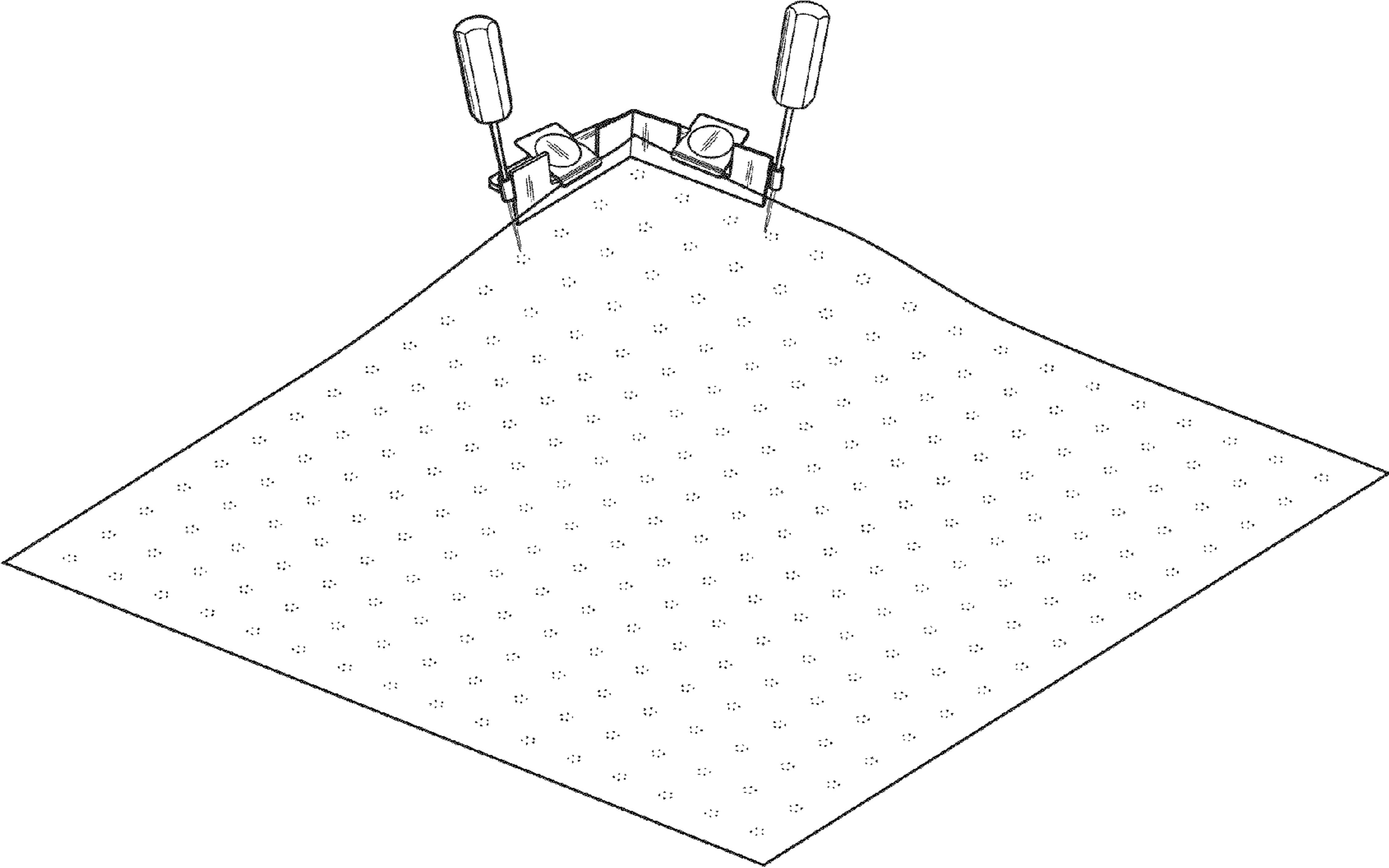


Fig. 4

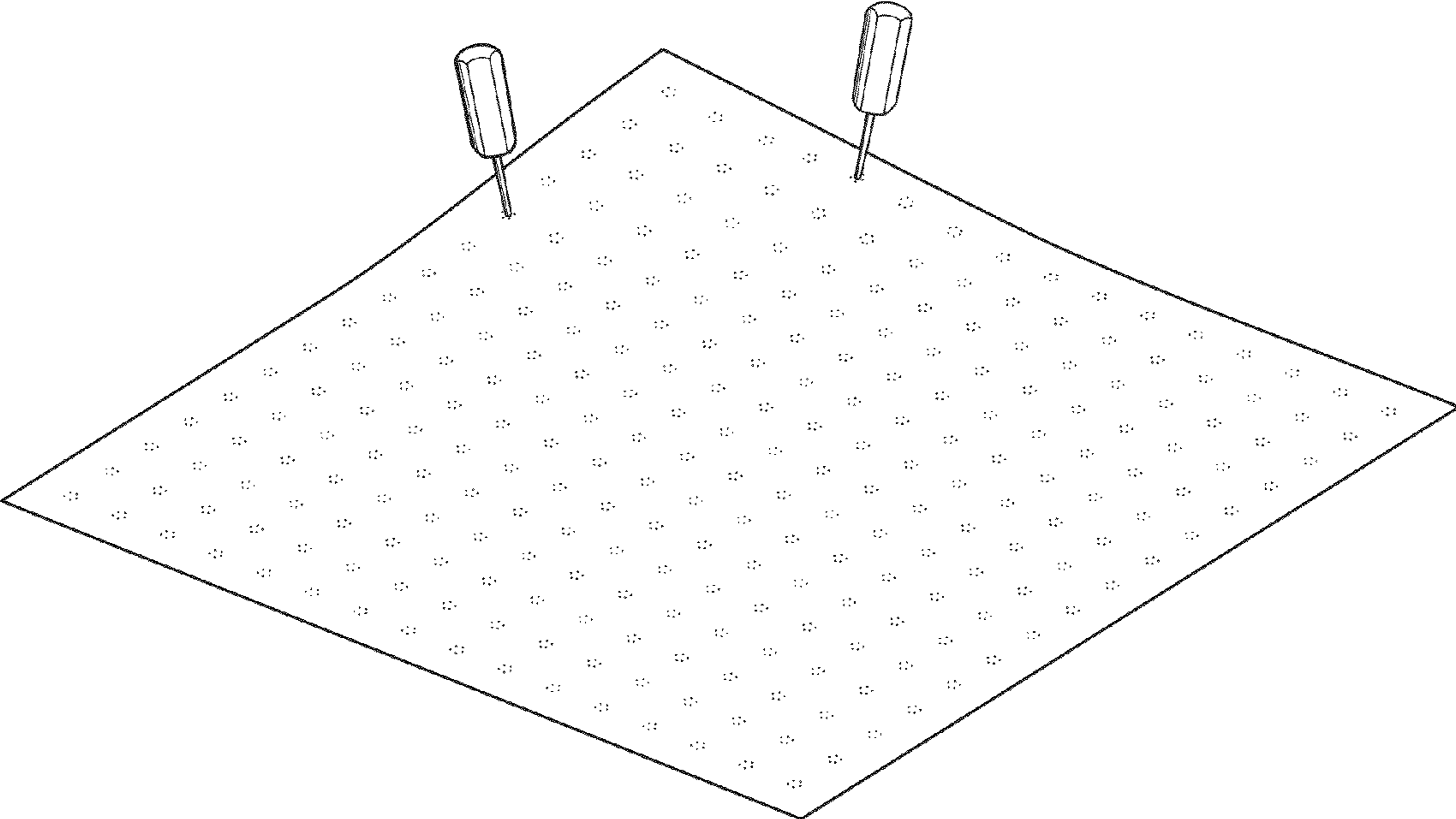


Fig. 5