



US00D706651S

(12) **United States Design Patent**  
**Salo**

(10) **Patent No.:** **US D706,651 S**  
(45) **Date of Patent:** **\*\* Jun. 10, 2014**

(54) **PROCESS TEMPERATURE PROBE**

(75) Inventor: **Harri Salo**, Vantaa (FI)

(73) Assignee: **Janesko Oy**, Vantaa (FI)

(\*\*) Term: **14 Years**

(21) Appl. No.: **29/432,047**

(22) Filed: **Sep. 13, 2012**

(30) **Foreign Application Priority Data**

Mar. 16, 2012 (EM) ..... 002009670

(51) **LOC (10) Cl.** ..... **10-04**

(52) **U.S. Cl.**

USPC ..... **D10/57**

(58) **Field of Classification Search**

USPC ..... D10/46, 57, 60; 374/1-208; 600/549

See application file for complete search history.

(56) **References Cited**

U.S. PATENT DOCUMENTS

D420,927 S \* 2/2000 Yano ..... D10/80  
6,568,849 B1 \* 5/2003 Chen et al. .... 374/185  
D668,561 S \* 10/2012 Dunkin et al. .... D10/57

\* cited by examiner

*Primary Examiner* — Antoine D Davis

(74) *Attorney, Agent, or Firm* — Finnegan Henderson Farabow Garrett & Dunner LLP

(57) **CLAIM**

The ornamental design for a process temperature probe, as shown and described.

**DESCRIPTION**

FIG. 1 is a perspective view of a process temperature probe showing my new design;  
FIG. 2 is a front elevational view thereof;  
FIG. 3 is a rear elevational view thereof;  
FIG. 4 is a right side elevational view thereof;  
FIG. 5 is a left side elevational view thereof;  
FIG. 6 is a top plan view thereof; and,  
FIG. 7 is a bottom plan view thereof.

**1 Claim, 7 Drawing Sheets**





FIG. 1





FIG. 2





FIG. 3





FIG. 4

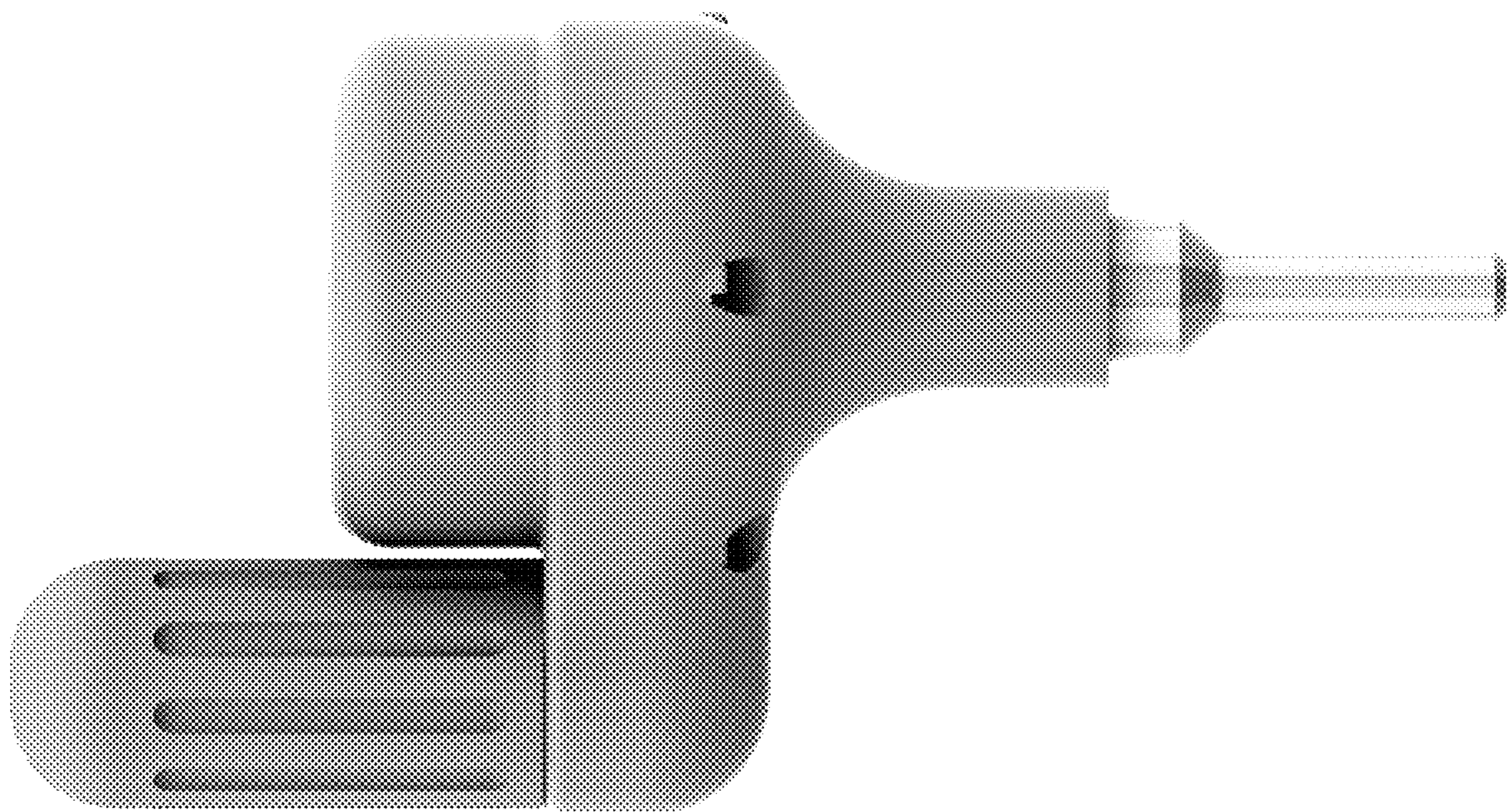


FIG. 5

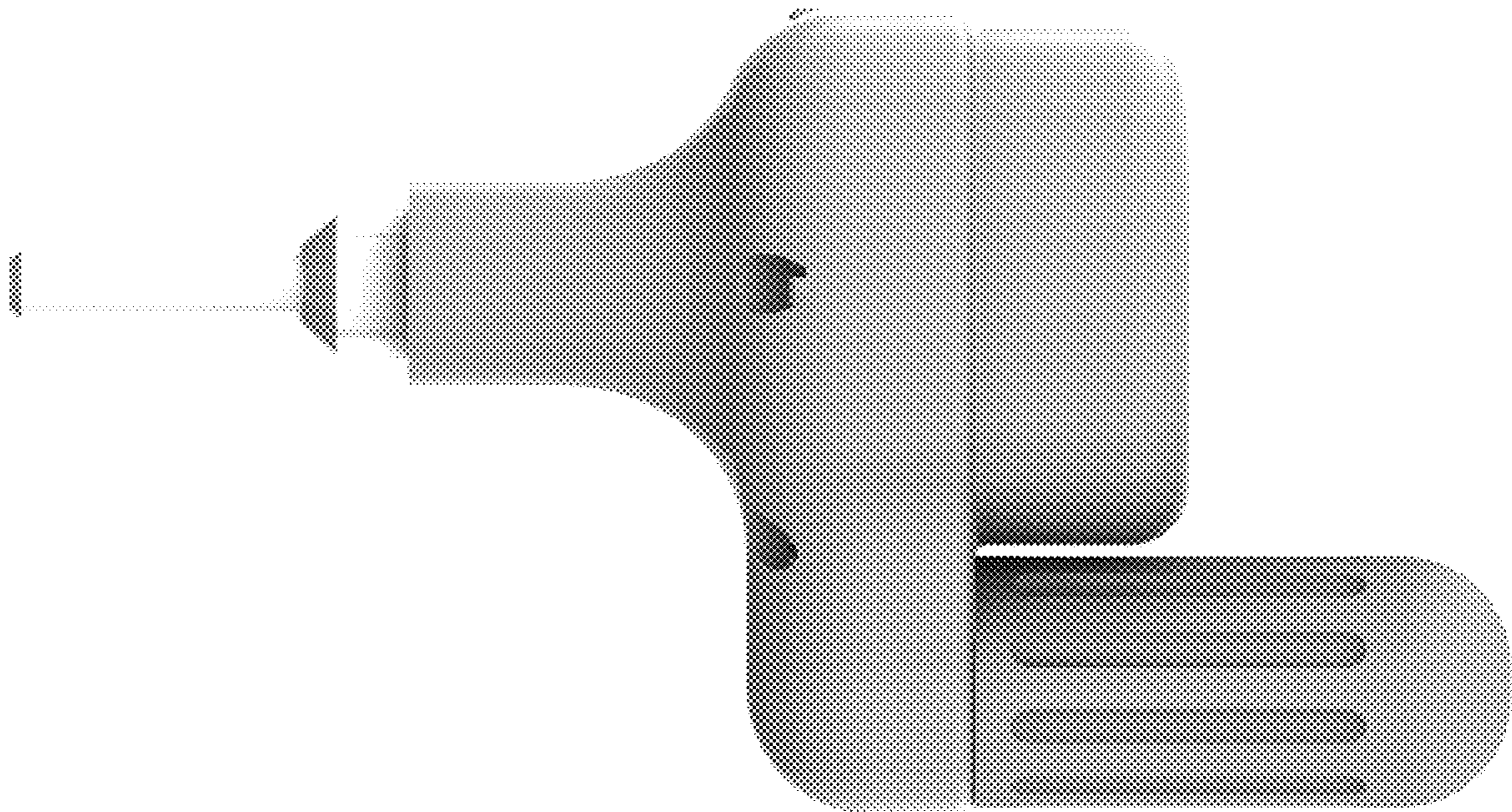




FIG. 6



FIG. 7

