



US00D706650S

(12) **United States Design Patent**
Emch

(10) **Patent No.:** **US D706,650 S**

(45) **Date of Patent:** **** Jun. 10, 2014**

(54) **WATCH**

(71) Applicant: **Manuel Emch**, Wollerau (CH)

(72) Inventor: **Manuel Emch**, Wollerau (CH)

(73) Assignee: **RJ Watches S.A.** (CH)

(**) Term: **14 Years**

(21) Appl. No.: **29/469,416**

(22) Filed: **Oct. 10, 2013**

(30) **Foreign Application Priority Data**

Apr. 10, 2013 (WO) DM/080892

(51) **LOC (10) Cl.** **10-02**

(52) **U.S. Cl.**
USPC **D10/39**

(58) **Field of Classification Search**
USPC D10/30-39, 122-132; 368/276, 281,
368/282, 80, 223, 228, 232
See application file for complete search history.

(56) **References Cited**

U.S. PATENT DOCUMENTS

3,475,902	A *	11/1969	Wessel	368/10
3,740,944	A *	6/1973	Chopard	368/281
D301,986	S *	7/1989	Hysek	D10/32
D447,705	S *	9/2001	Scheufele	D10/39
D457,817	S *	5/2002	Brandt	D10/39
D459,241	S *	6/2002	Bodino	D10/32

D460,002	S *	7/2002	Wunderman	D10/32
D474,118	S *	5/2003	Monachon	D10/32
D517,432	S *	3/2006	Laucella	D10/39
D536,996	S *	2/2007	Loth	D10/32
D538,182	S *	3/2007	Lalo	D10/32
D538,681	S *	3/2007	Quintavalle	D10/38
D583,259	S *	12/2008	Arpa	D10/39
D594,349	S *	6/2009	Arpa	D10/32
D597,859	S *	8/2009	Arpa	D10/32
D628,499	S *	12/2010	Duport et al.	D10/38
D640,145	S *	6/2011	Goto	D10/32
D650,710	S *	12/2011	Laucella	D10/39
D656,417	S *	3/2012	Monachon	D10/39
8,179,744	B2 *	5/2012	Laucella et al.	368/110
8,289,816	B2 *	10/2012	Kato et al.	368/110

* cited by examiner

Primary Examiner — Lucy Lieberman

(74) *Attorney, Agent, or Firm* — Galbreath Law Offices, P.C.; John A. Galbreath

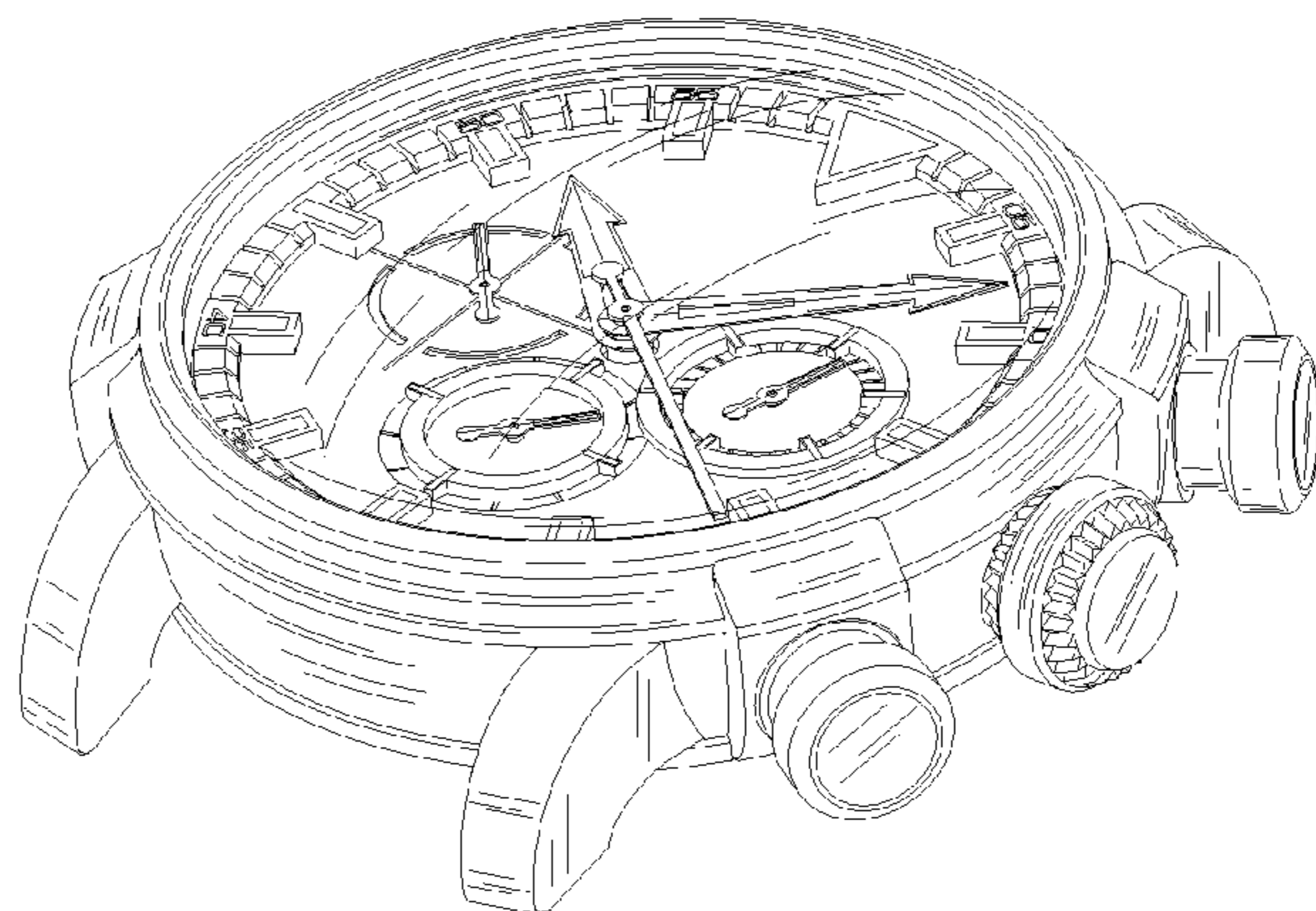
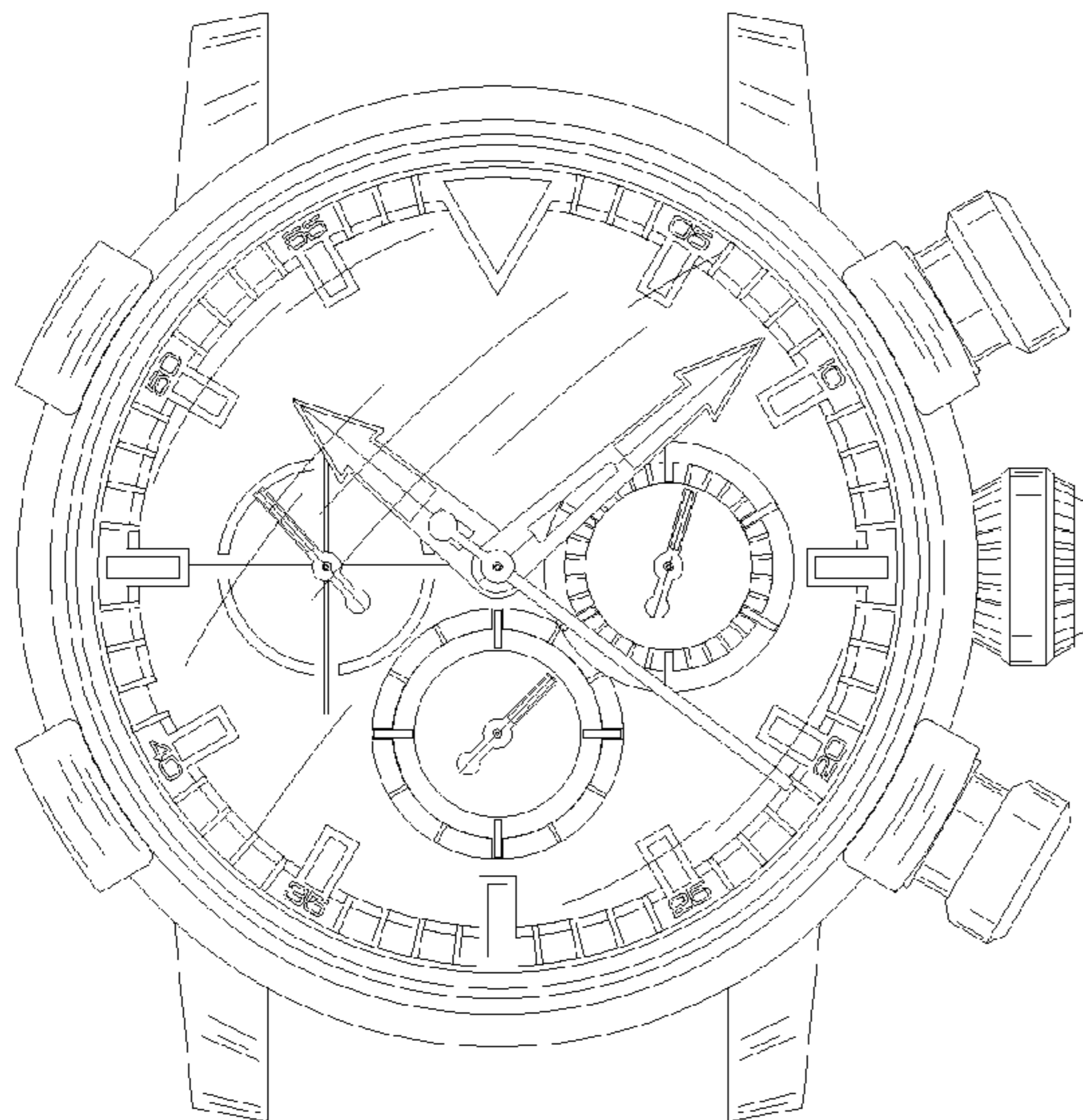
(57) **CLAIM**

The ornamental design for a watch, as shown and described.

DESCRIPTION

FIG. 1 is a front view of the invention;
FIG. 2 is a back view of the invention;
FIG. 3 is a top view of the invention;
FIG. 4 is a bottom view of the invention;
FIG. 5 is a side view of the invention;
FIG. 6 is another side view of the invention, showing the side opposite that shown in FIG. 5; and,
FIG. 7 is a perspective view of the invention.

1 Claim, 1 Drawing Sheet



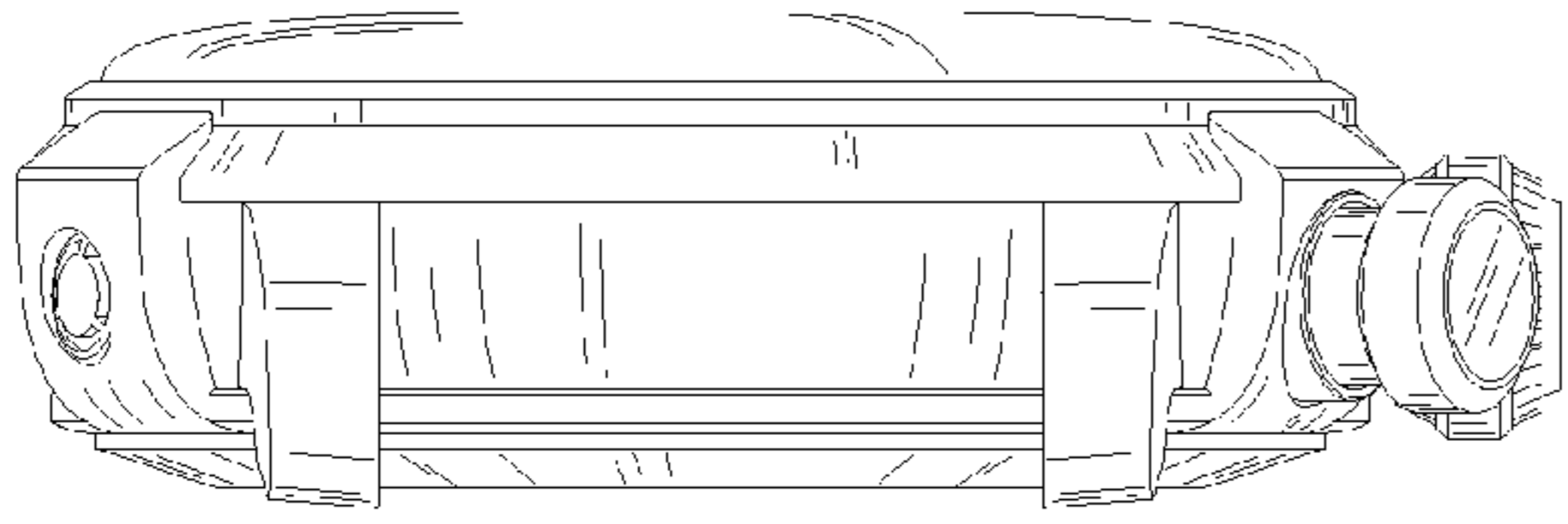


fig.1

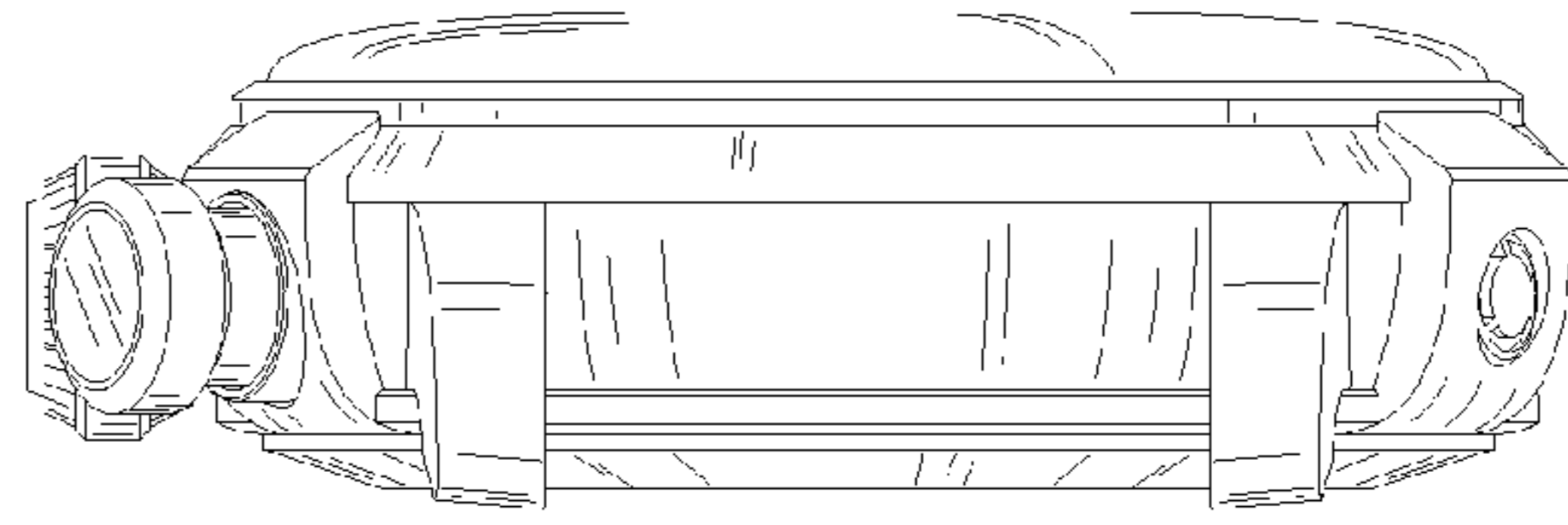


fig.2

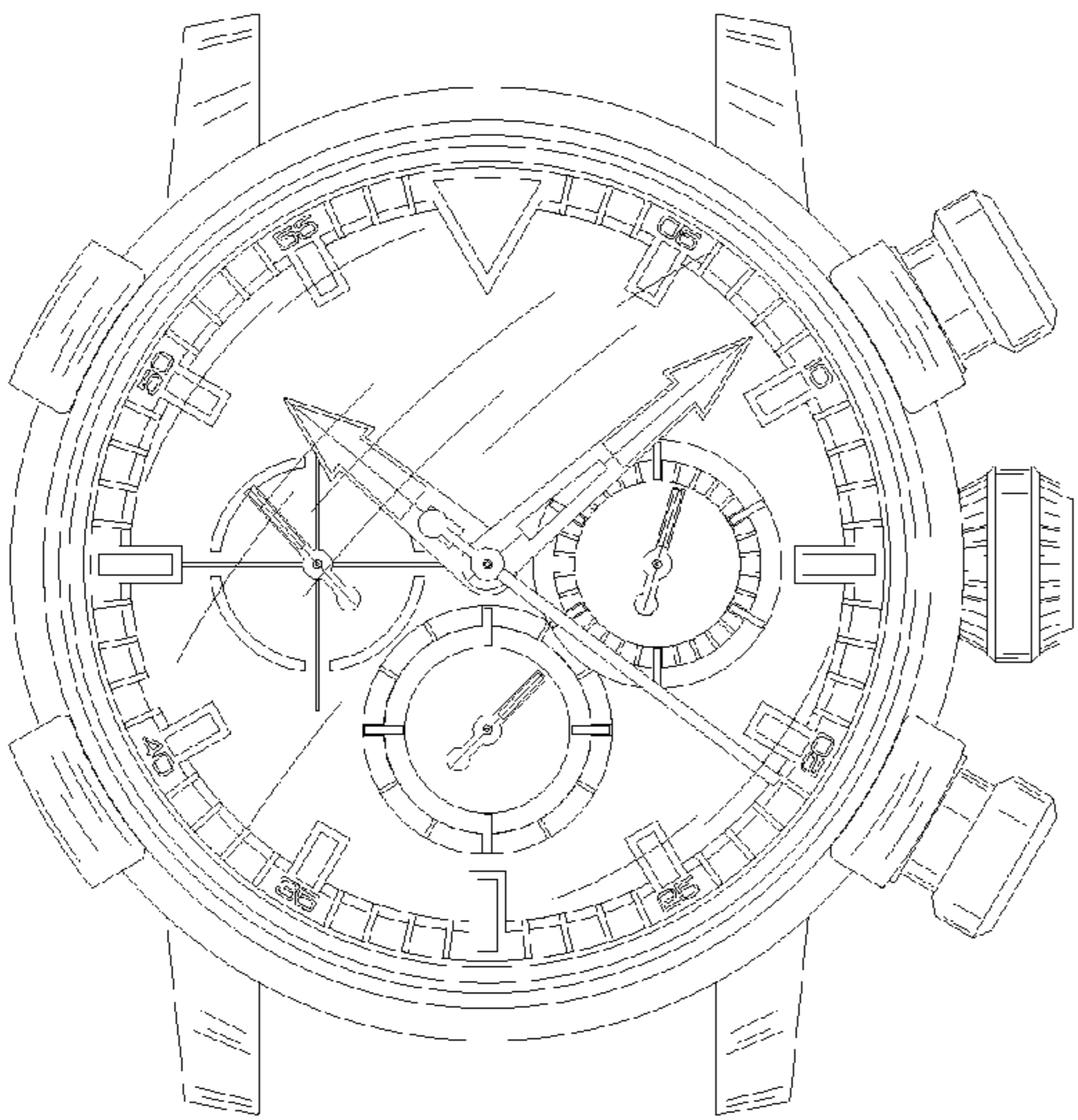


fig.3

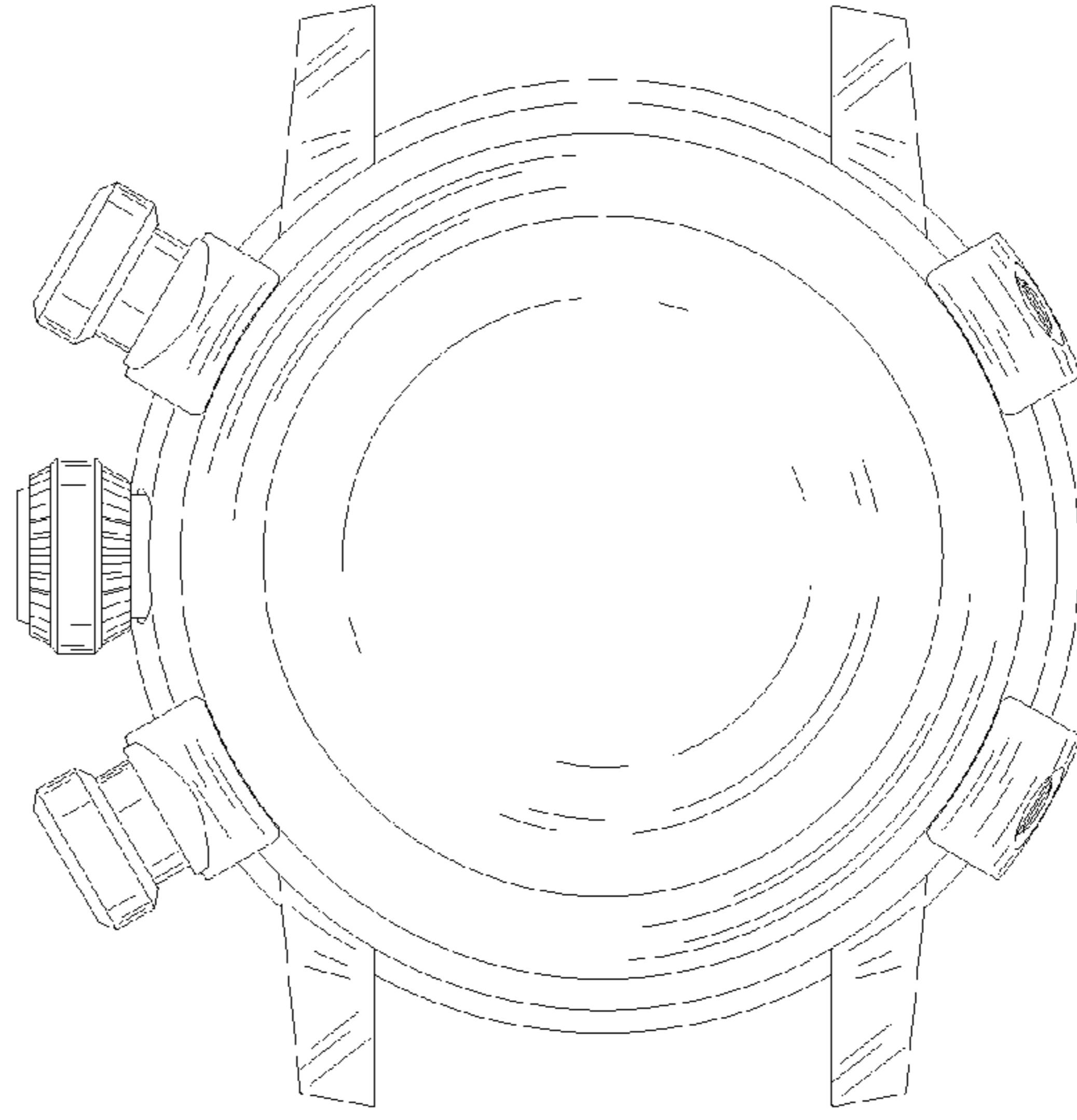


fig.4

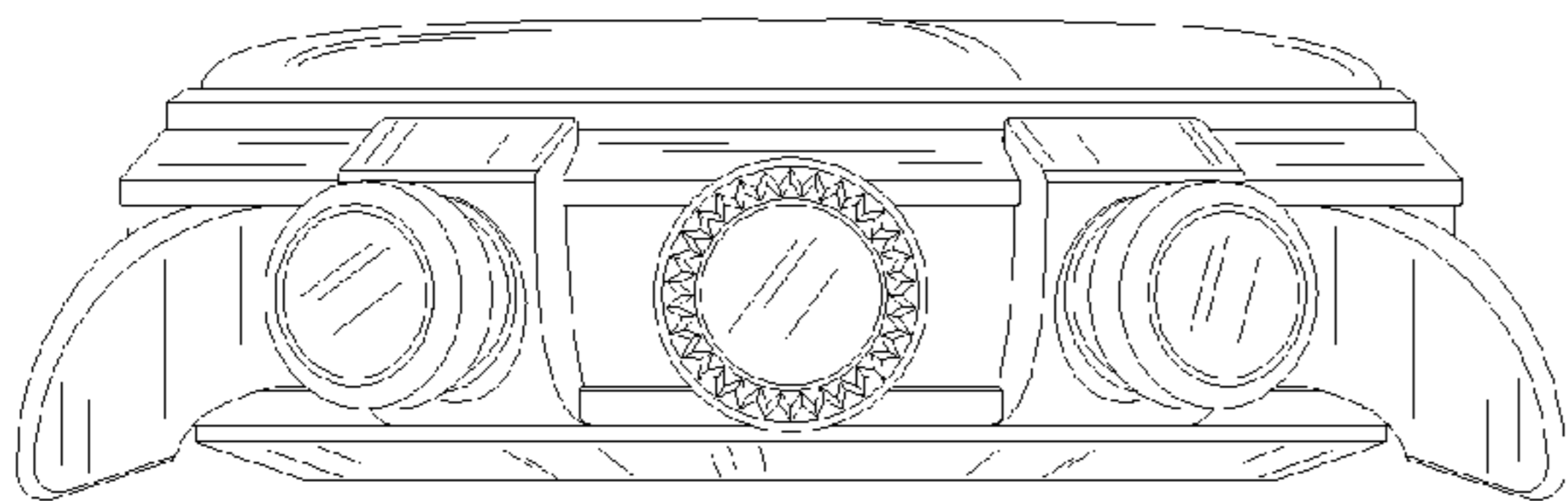


fig.5

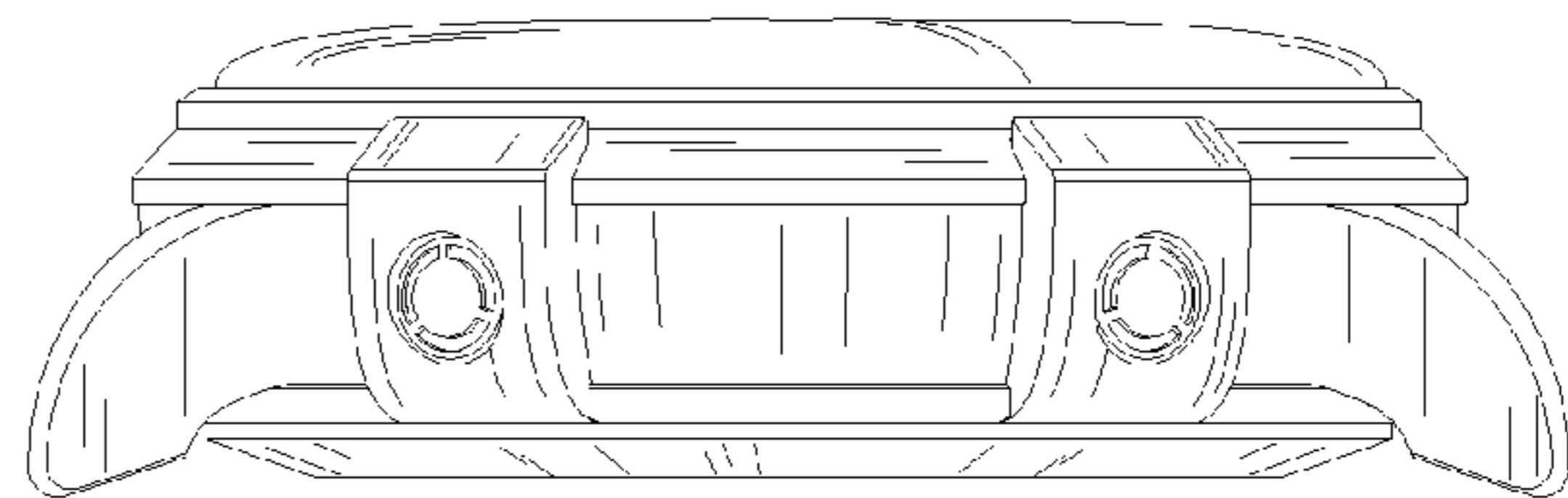


fig.6

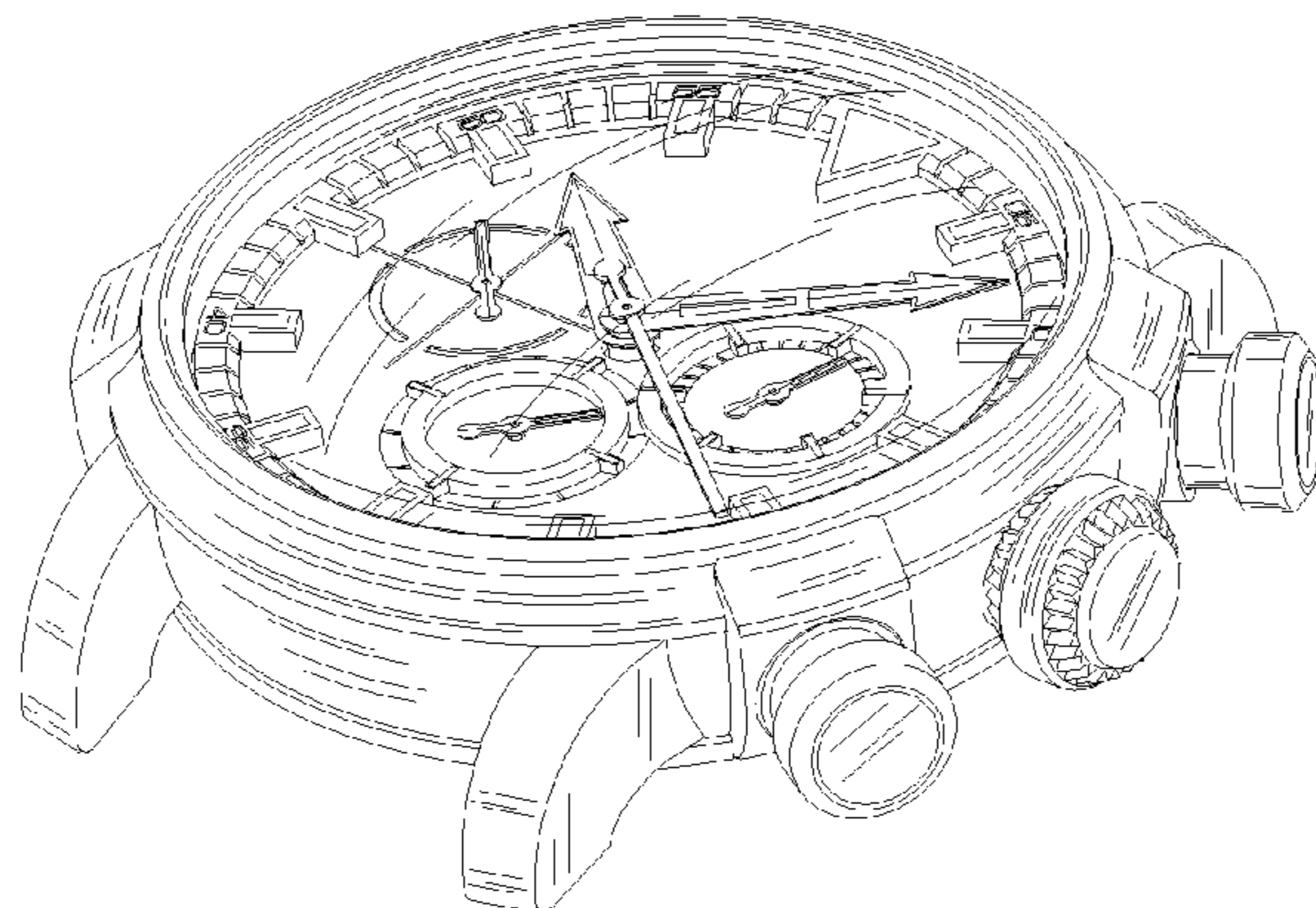


fig.7