



US00D706642S

(12) **United States Design Patent**
Fath et al.

(10) **Patent No.:** **US D706,642 S**
(45) **Date of Patent:** **** Jun. 10, 2014**

- (54) **PACKAGING SLEEVE**
- (71) Applicant: **Altria Client Services Inc.**, Richmond, VA (US)
- (72) Inventors: **Scott A Fath**, Richmond, VA (US);
Ryan J Sousa, Mechanicsville, VA (US);
Steven R Rinehart, Chesterfield, VA (US)
- (73) Assignee: **Altria Client Services Inc.**, Richmond, VA (US)
- (**) Term: **14 Years**
- (21) Appl. No.: **29/450,161**
- (22) Filed: **Mar. 15, 2013**
- (51) **LOC (10) Cl.** **09-03**
- (52) **U.S. Cl.**
USPC **D9/715**
- (58) **Field of Classification Search**
USPC D9/414, 418, 424, 432, 430, 433, 435,
D9/436, 456, 702, 711, 713, 715;
D27/186, 189; 206/216, 256, 389, 395,
206/396, 398, 461-471, 581, 736, 738, 756,
206/769, 779; 229/100, 101, 103.2, 108,
229/108.1, 125.01, 182.1, 200
See application file for complete search history.

(56) **References Cited**

U.S. PATENT DOCUMENTS

2,129,447	A *	9/1938	Schuler	206/389
2,217,397	A *	10/1940	Armitt	206/395
D159,872	S *	8/1950	Skold	D9/432
3,334,732	A	8/1967	Haffey et al.	
3,469,680	A *	9/1969	Walz	206/389

3,765,529	A	10/1973	Mueller	
4,844,373	A *	7/1989	Fike, Sr.	242/588.1
D302,948	S *	8/1989	Blum et al.	D9/715
D319,179	S	8/1991	Holder	
5,344,008	A	9/1994	DeBlasio et al.	
D455,958	S	4/2002	Burrus	
D509,147	S *	9/2005	Selby	D9/715
D591,902	S	5/2009	Bray et al.	
D603,090	S	10/2009	Bray et al.	
D607,319	S	1/2010	Collins	
D621,282	S	8/2010	Yagi	
D664,043	S	7/2012	Hofmann et al.	
D694,623	S	12/2013	Bellamah	

* cited by examiner

Primary Examiner — Derrick Holland

Assistant Examiner — Lauren Calve

(74) *Attorney, Agent, or Firm* — Buchanan Ingersoll & Rooney PC

(57) **CLAIM**

The ornamental design for a packaging sleeve, as shown and described.

DESCRIPTION

FIG. 1 is a front, top perspective view of a packaging sleeve according to our new design.

FIG. 2 is a front, bottom perspective view thereof.

FIG. 3 is a front elevational view thereof.

FIG. 4 is a rear elevational view thereof.

FIG. 5 is a left side elevational view thereof.

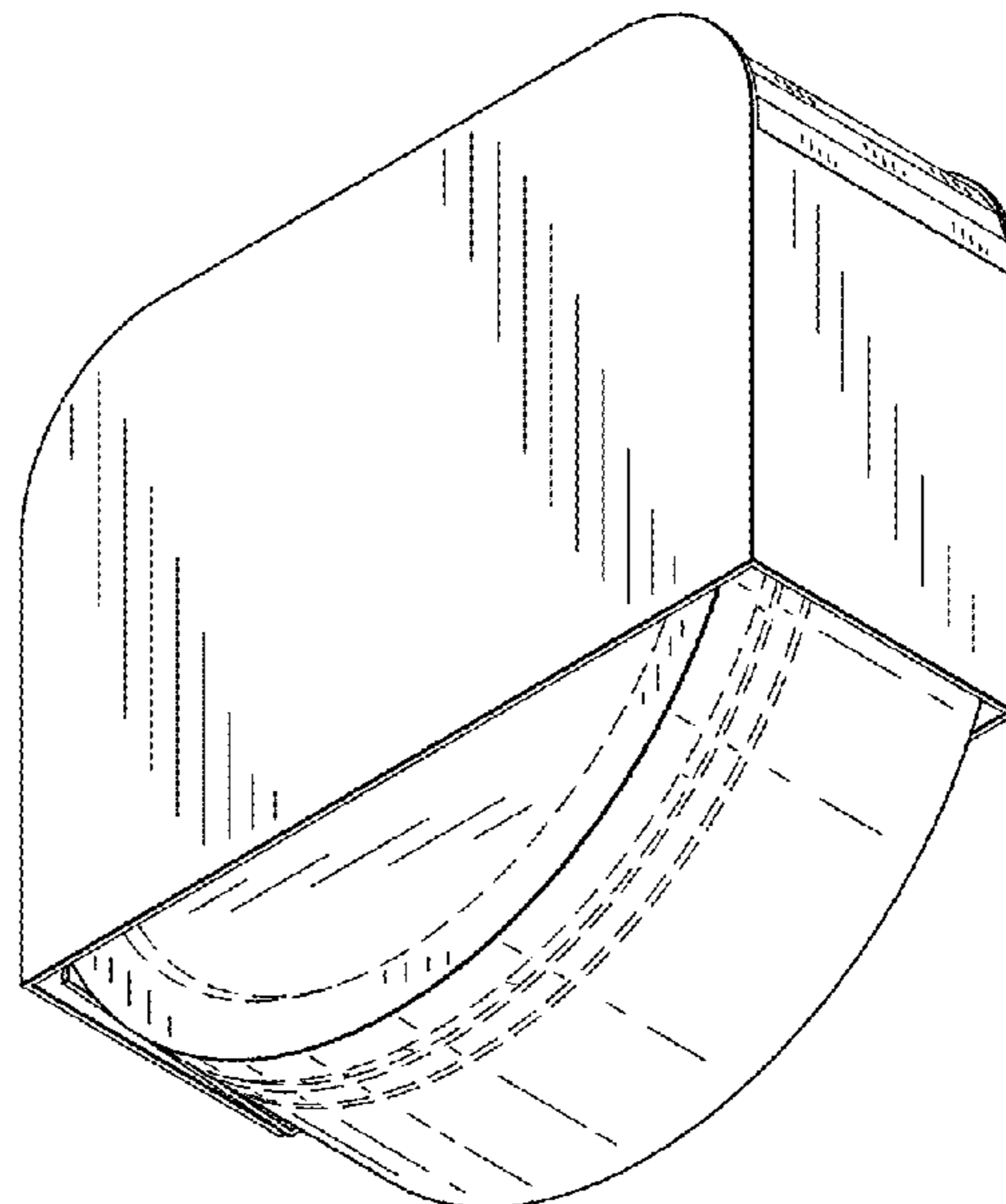
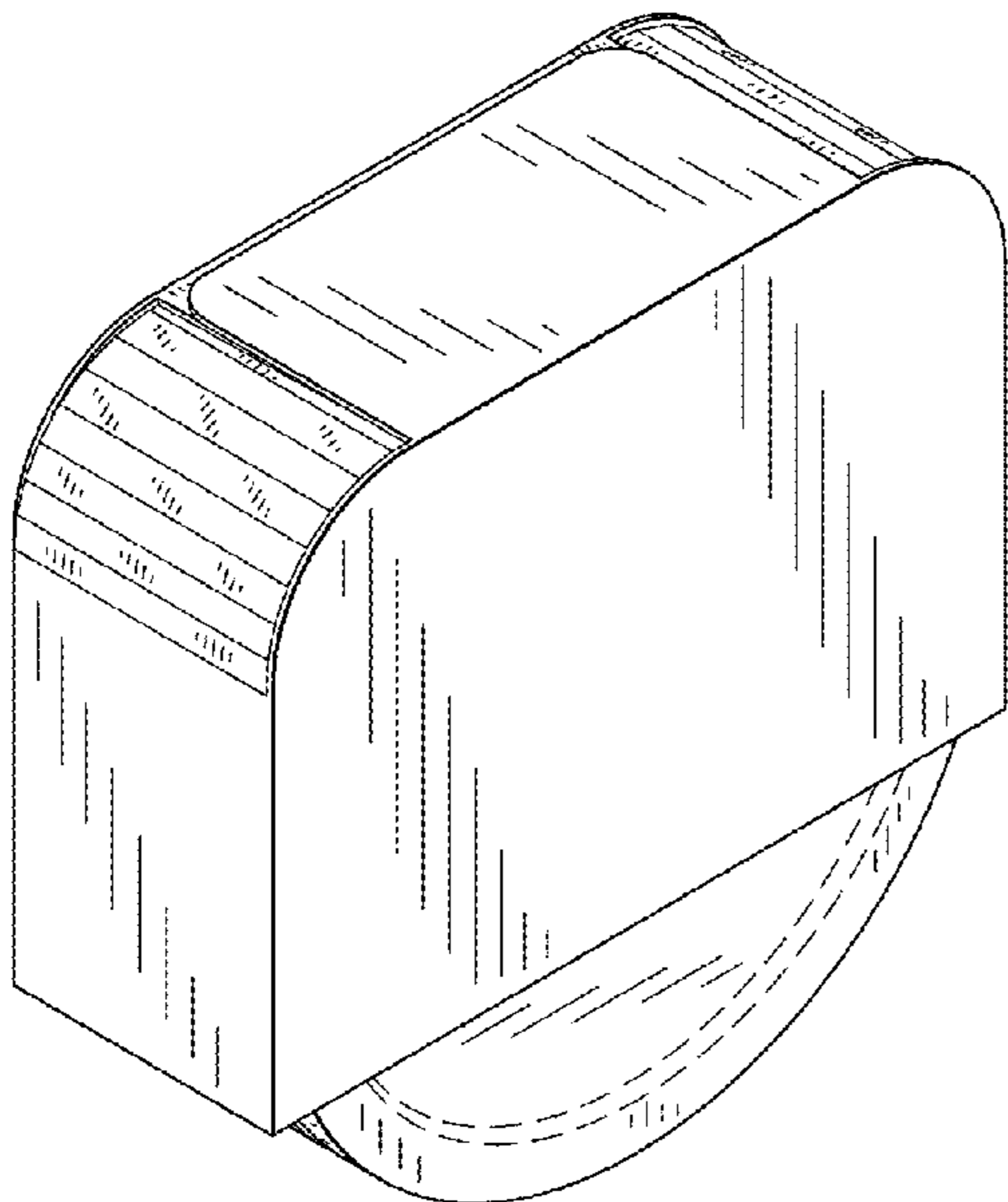
FIG. 6 is a right side elevational view thereof.

FIG. 7 is a top plan view thereof; and,

FIG. 8 is a bottom plan view thereof.

The broken lines shown in FIGS. 1-6 and 8 represent unclaimed subject matter and form no part of the claimed design.

1 Claim, 4 Drawing Sheets



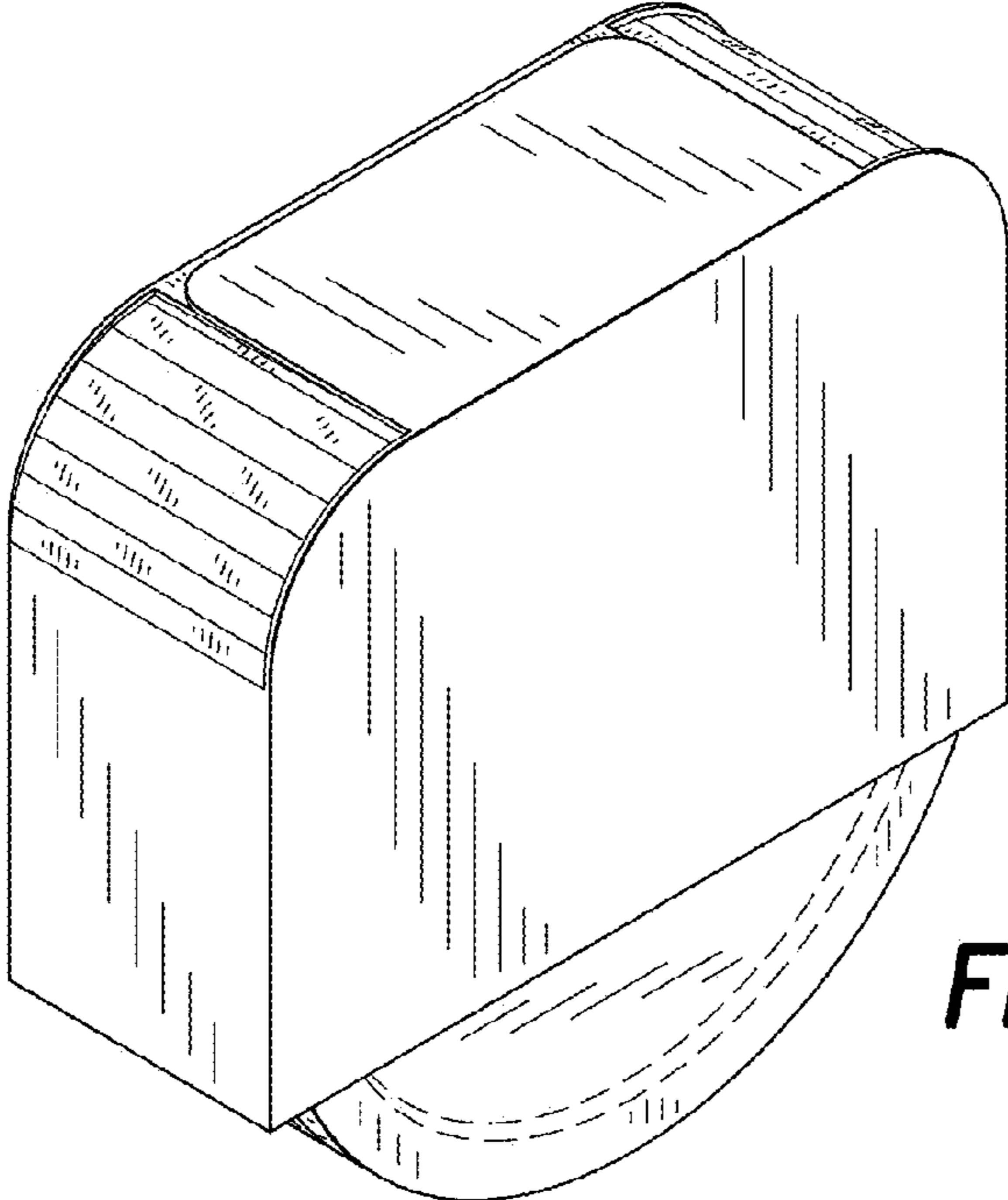


FIG. 1

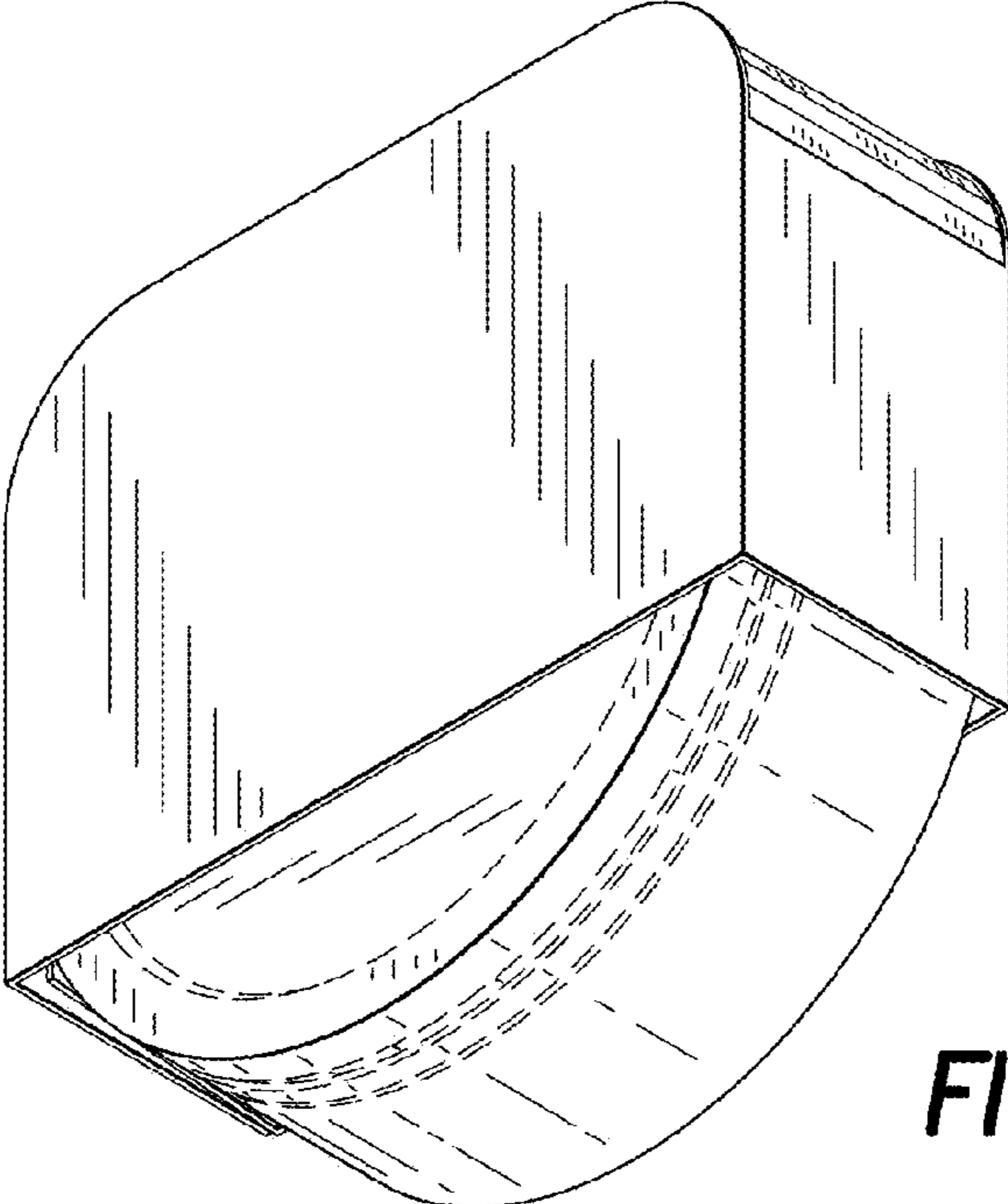


FIG. 2

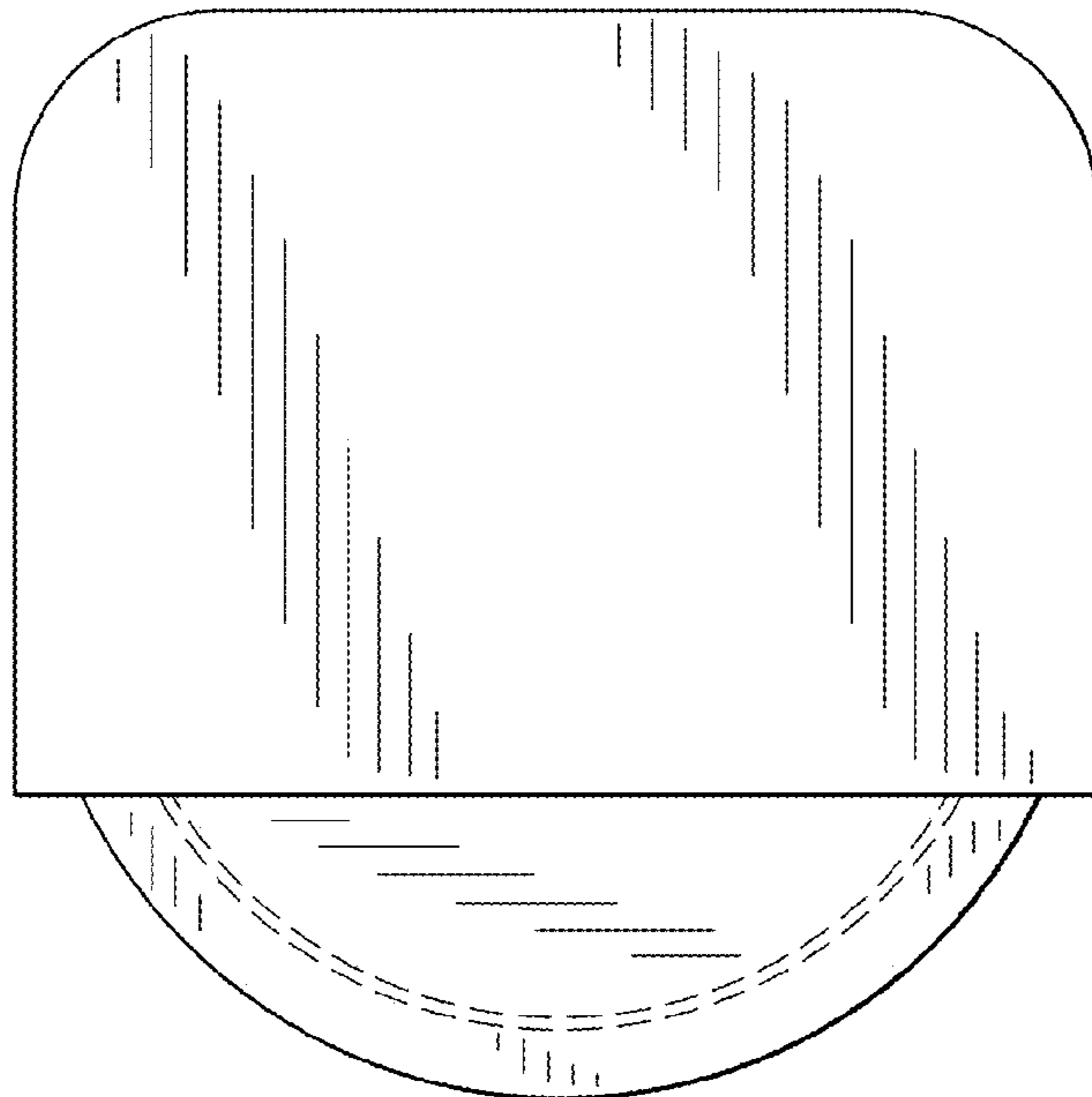


FIG. 3

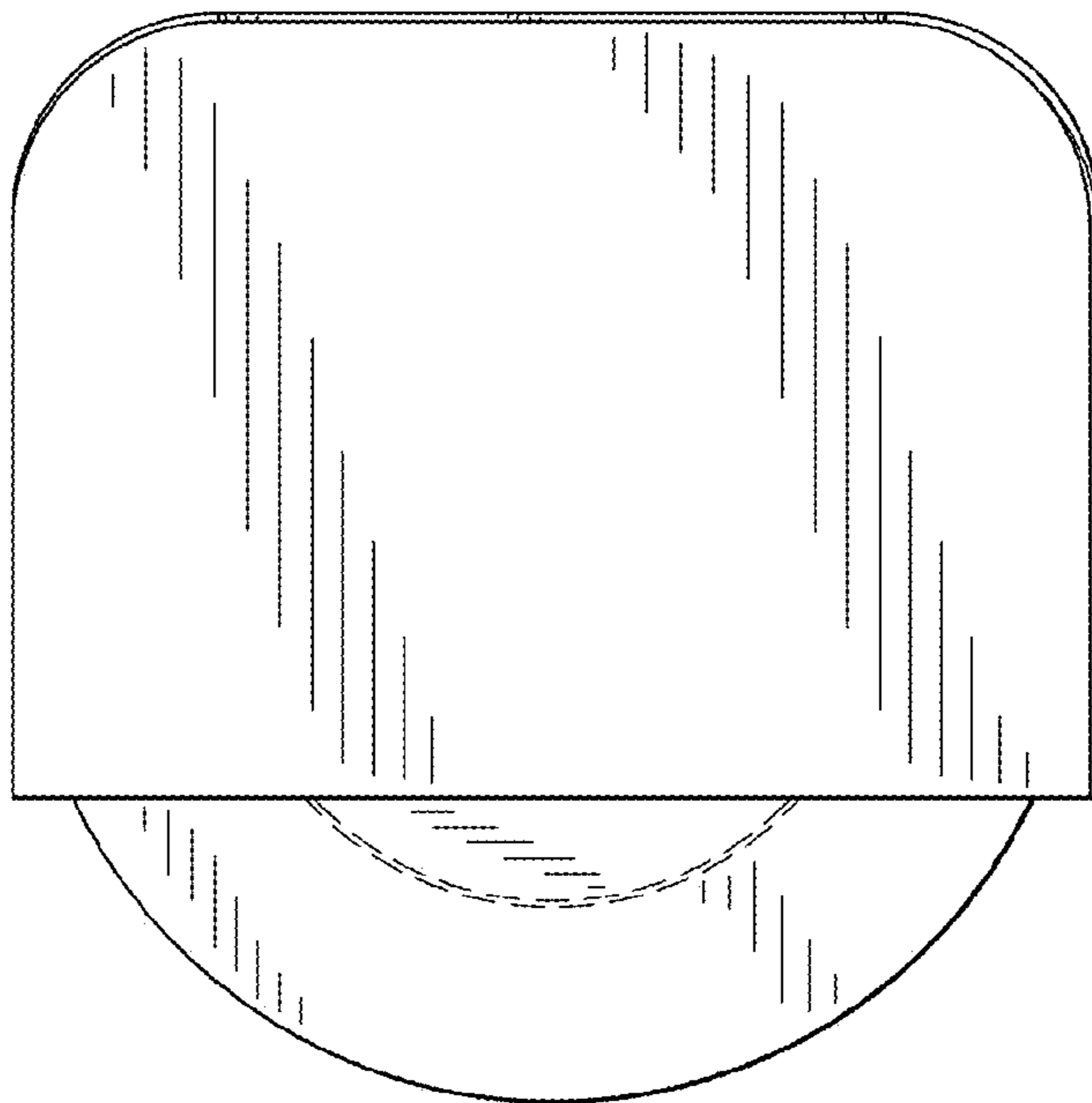


FIG. 4

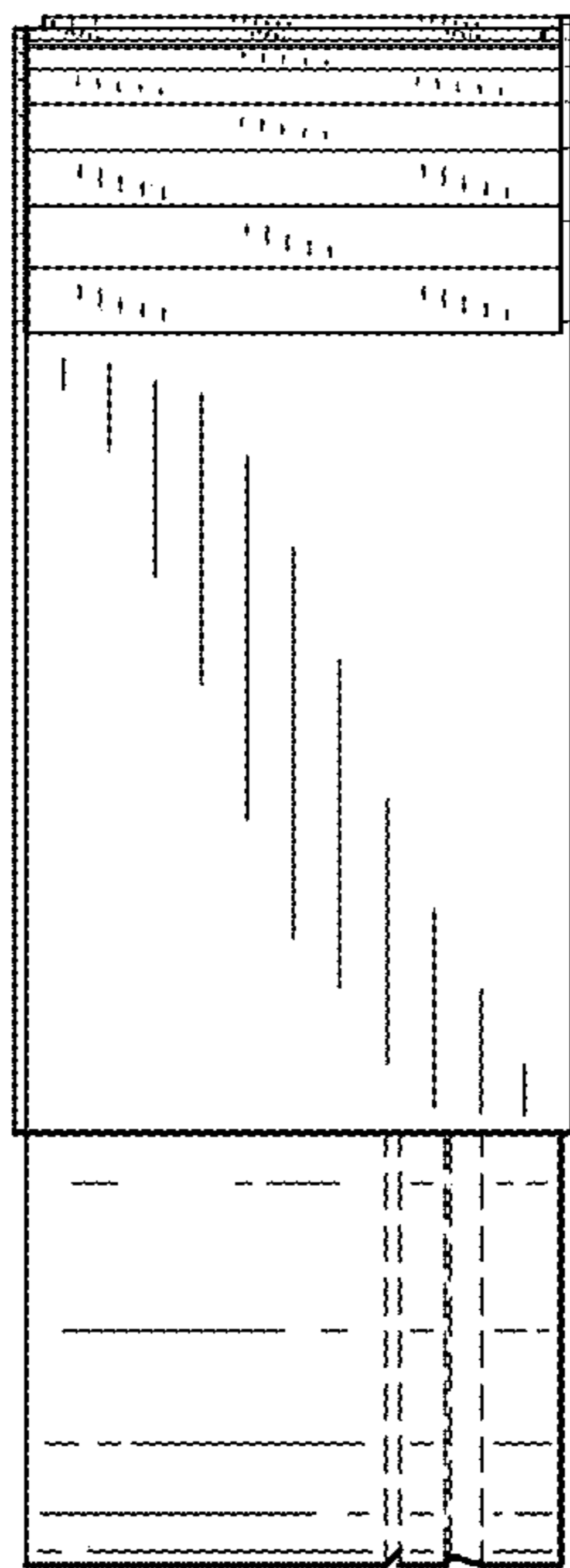


FIG. 5

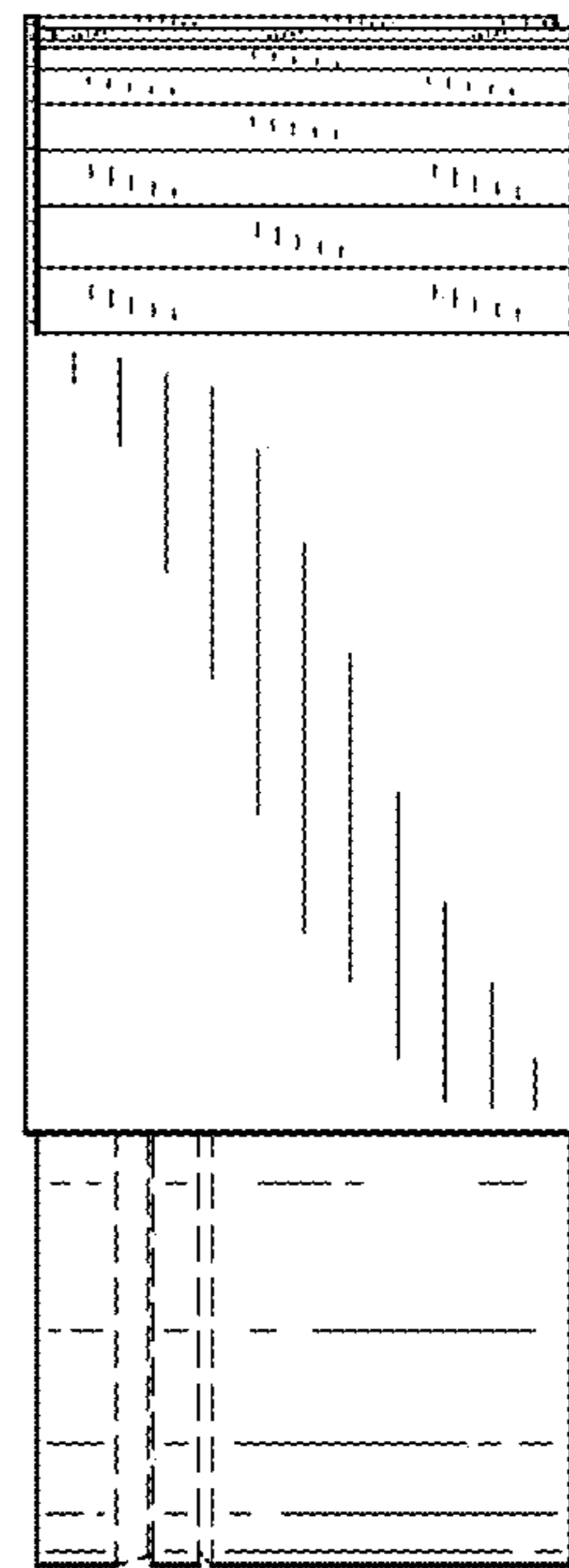


FIG. 6

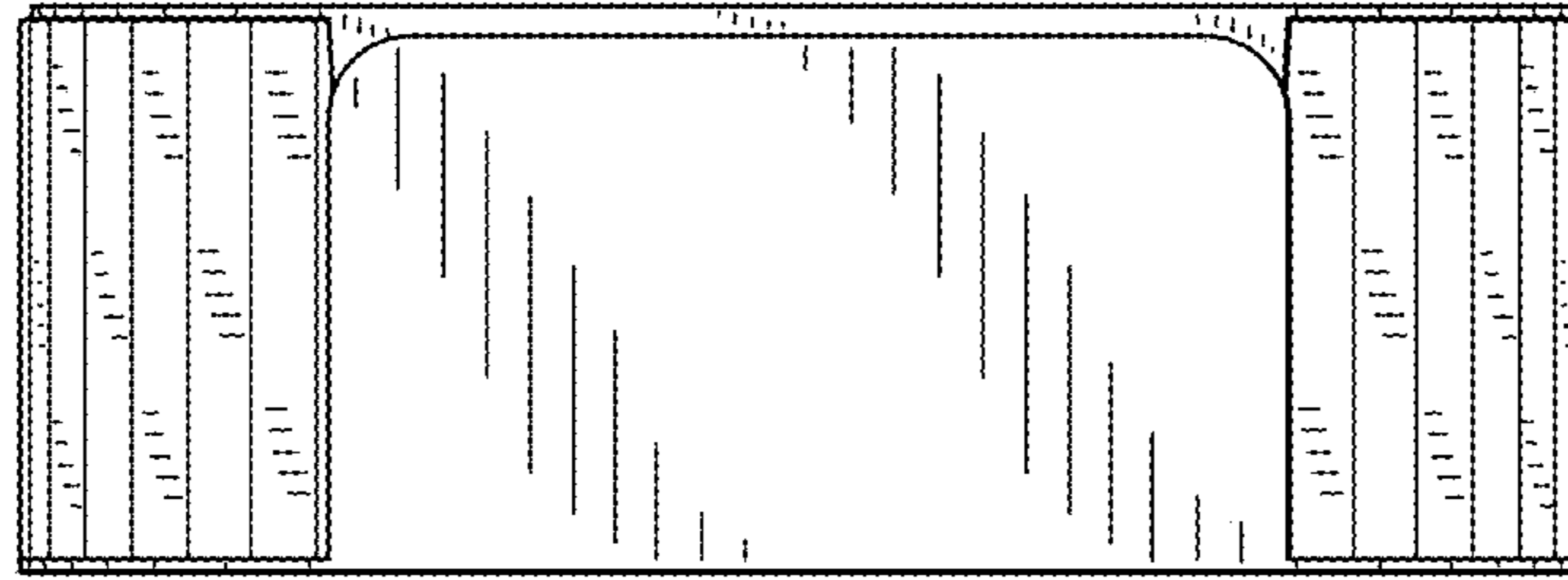


FIG. 7

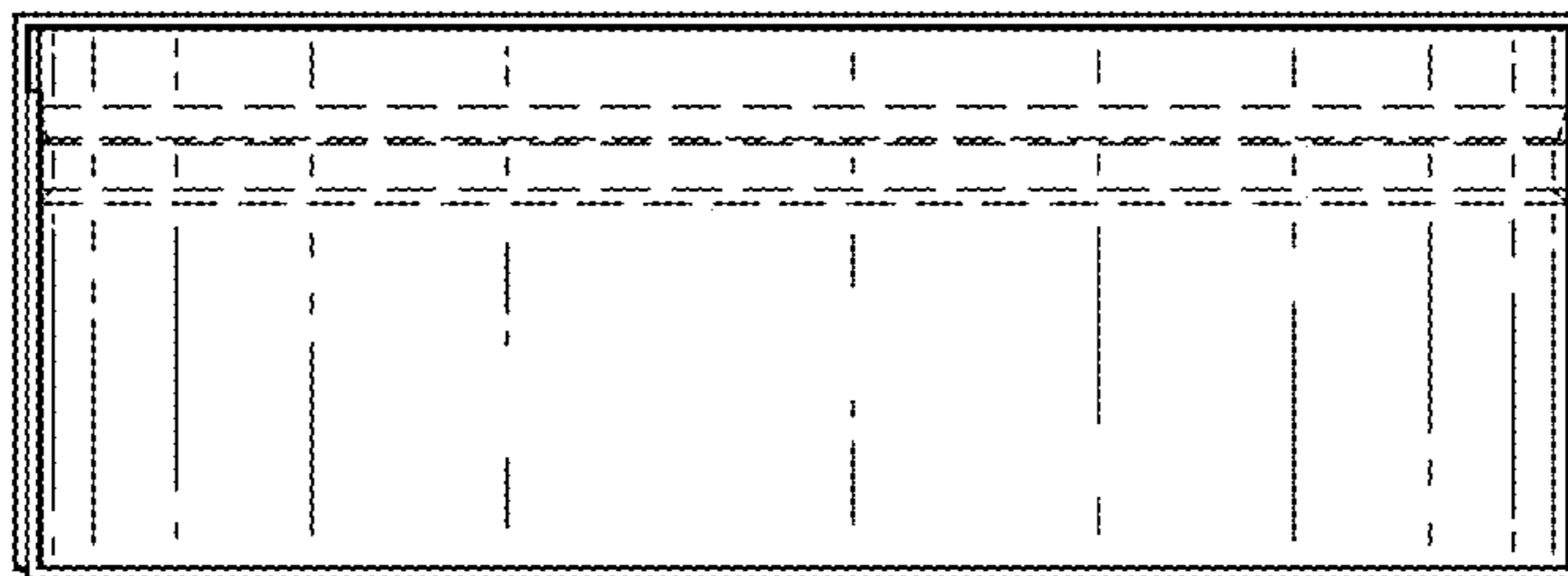


FIG. 8