



US00D706641S

(12) **United States Design Patent**
Hinz

(10) **Patent No.:** **US D706,641 S**
(45) **Date of Patent:** **** Jun. 10, 2014**

(54) **DISPOSABLE BAG STRUCTURE FOR HOLDING A WET PAINT ROLLER**

(71) Applicant: **Krystian Hinz**, Robbinsville, NJ (US)

(72) Inventor: **Krystian Hinz**, Robbinsville, NJ (US)

(**) Term: **14 Years**

(21) Appl. No.: **29/468,332**

(22) Filed: **Sep. 27, 2013**

(51) **LOC (10) Cl.** **09-05**

(52) **U.S. Cl.**
USPC **D9/705**

(58) **Field of Classification Search**
USPC D9/702-703, 705, 707, 709-710, 720,
D9/430-432, 424, 414, 761; 383/33, 61.1,
383/79, 81, 86, 98, 35, 63, 120, 104, 61.2;
426/106; 220/495.03; D3/303;
229/108, 108.1, 87.19, 114, 106, 400,
229/904, 938, 902

See application file for complete search history.

(56) **References Cited**

U.S. PATENT DOCUMENTS

D402,196 S * 12/1998 Lynch D9/709
D407,969 S * 4/1999 Planchard D9/703

D451,385 S * 12/2001 Bryan et al. D9/423
D478,283 S * 8/2003 Shimakawa D9/713
D580,779 S * 11/2008 Hartwell et al. D9/705
D640,932 S * 7/2011 Kasha D9/703
D697,819 S * 1/2014 Saville et al. D9/703
D700,064 S * 2/2014 Berman D9/707

* cited by examiner

Primary Examiner — Caron D Veynar

Assistant Examiner — Abraham Bahta

(74) *Attorney, Agent, or Firm* — Lamorte & Associates, P.C.

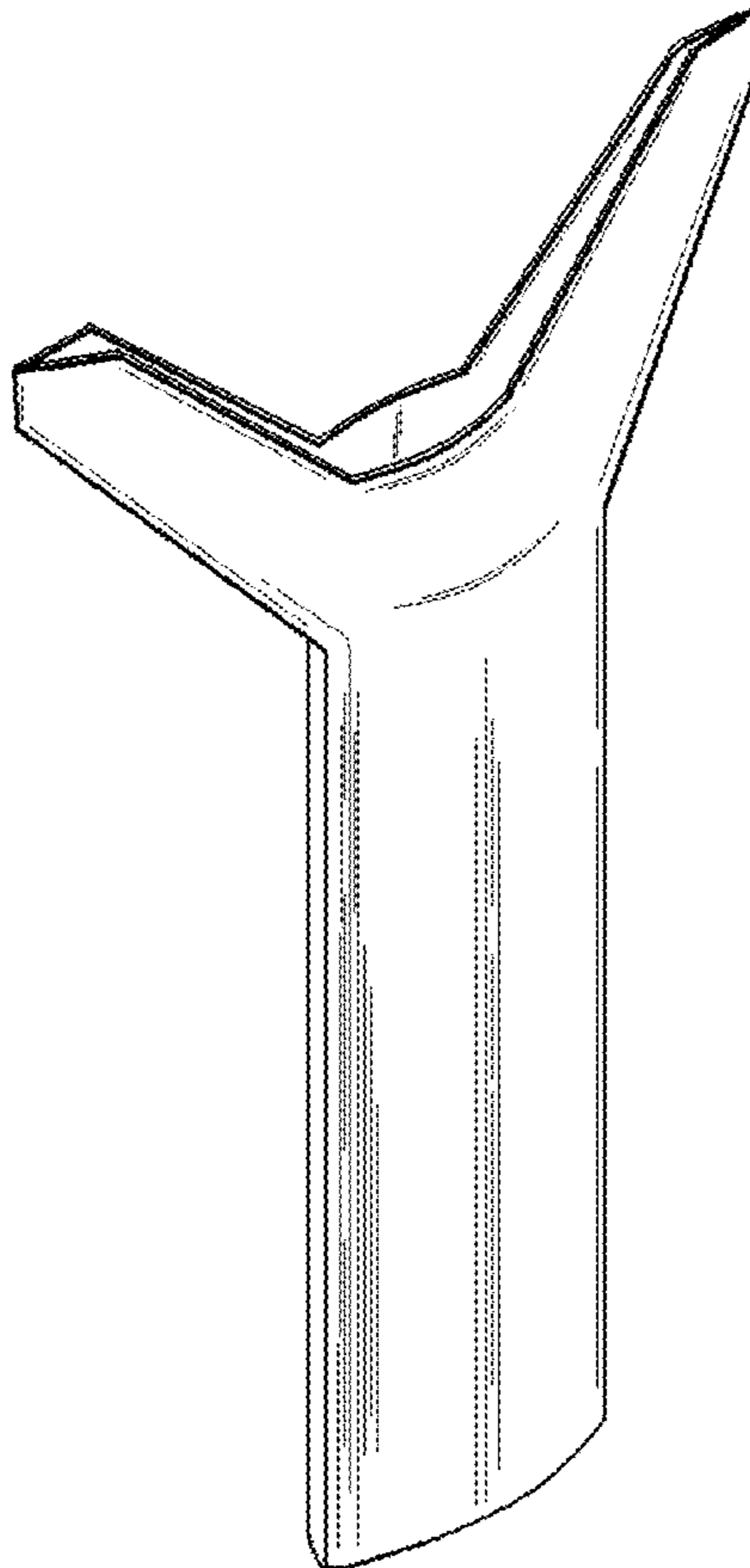
(57) **CLAIM**

The ornamental design for a disposable bag structure for holding a wet paint roller, as shown and described.

DESCRIPTION

FIG. 1 is a top perspective view of a disposable bag structure for holding a wet paint roller;
FIG. 2 is a front view thereof, the rear view being the same;
FIG. 3 is a right side view thereof, the left side view being the same;
FIG. 4 is a top view thereof; and,
FIG. 5 is a bottom view thereof.

1 Claim, 4 Drawing Sheets



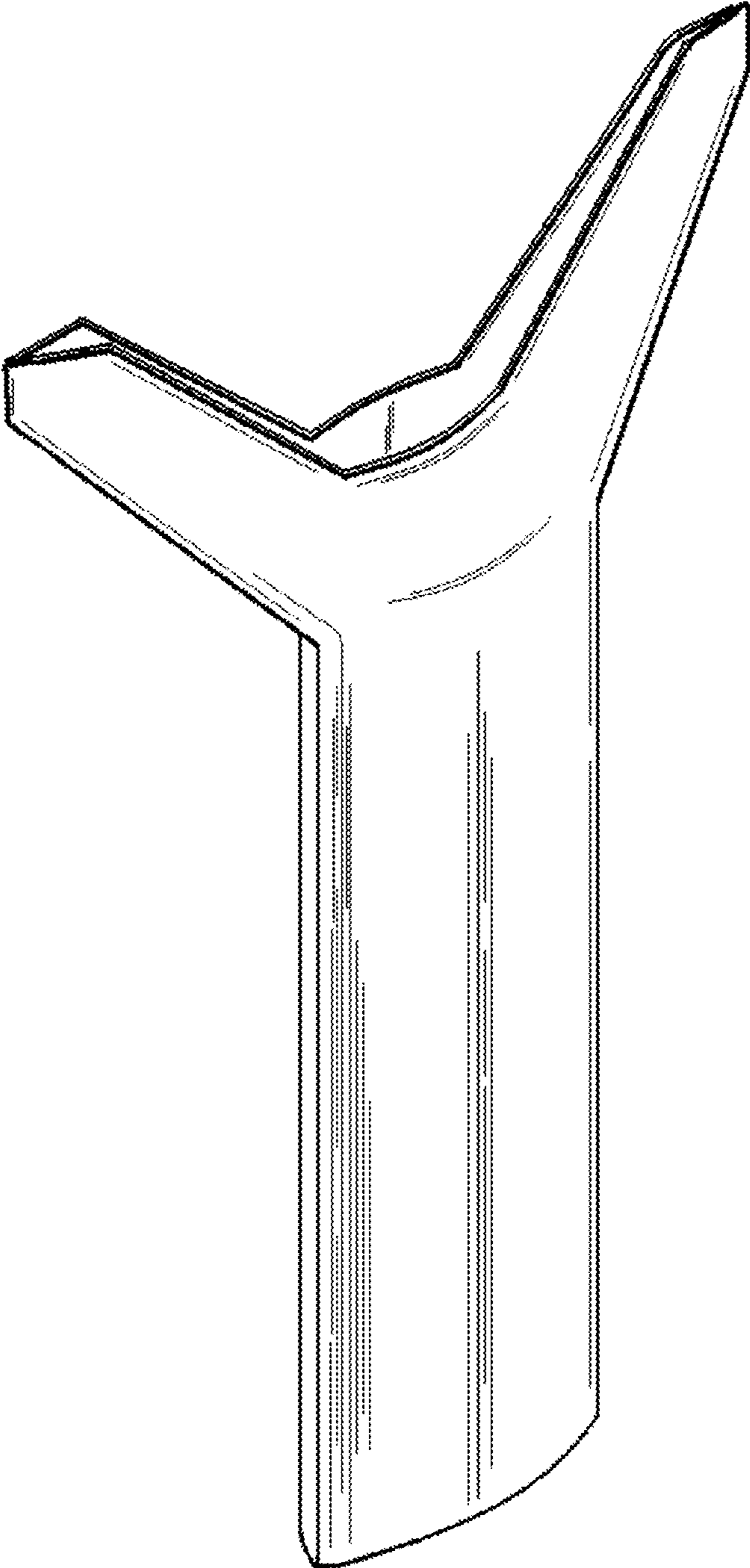


FIG. 1

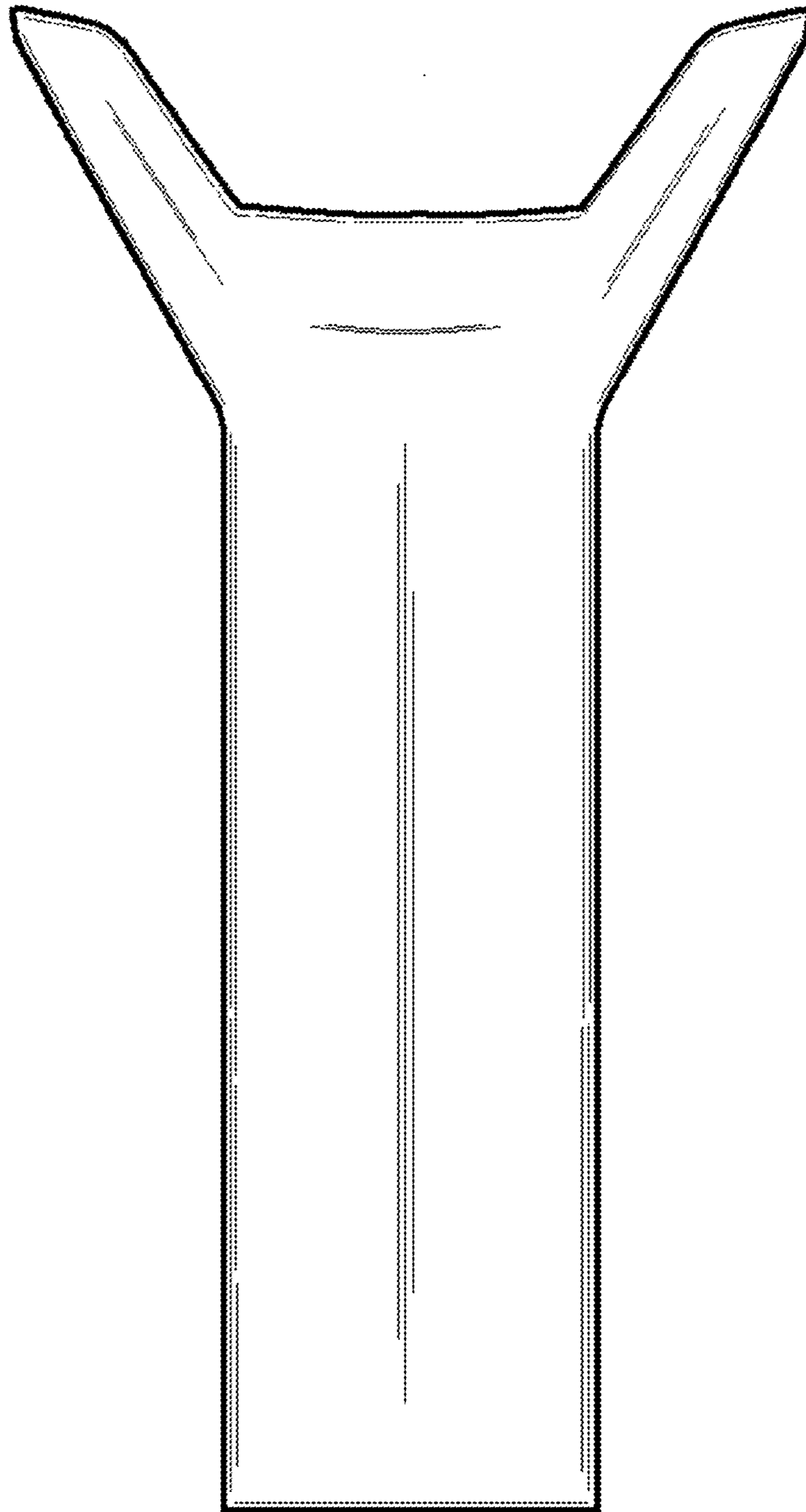


FIG. 2

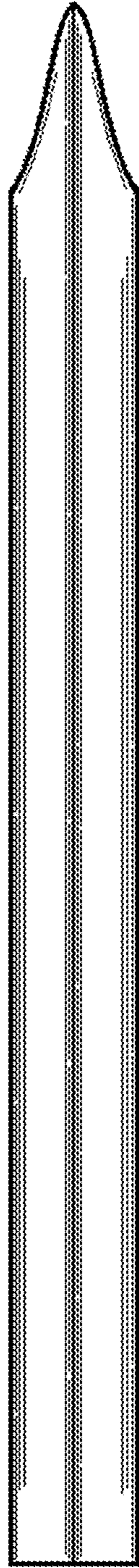


FIG. 3

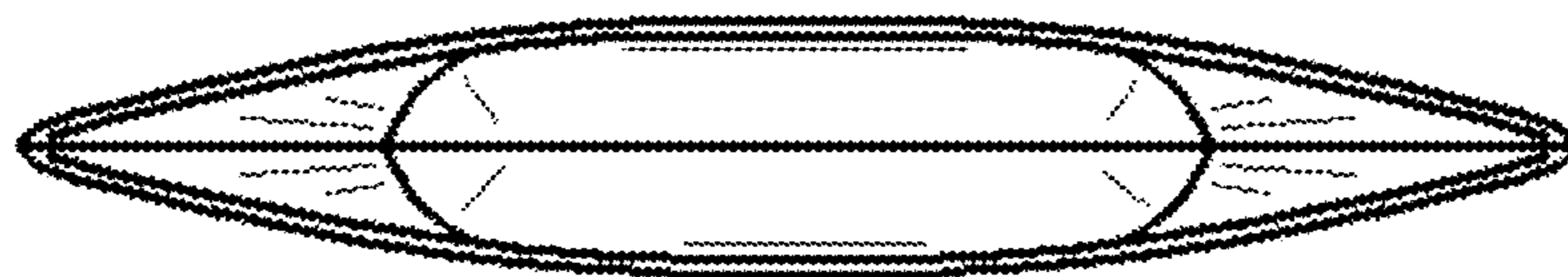


FIG. 4



FIG. 5