



US00D706638S

(12) **United States Design Patent**
Fleischhacker et al.

(10) **Patent No.:** **US D706,638 S**
(45) **Date of Patent:** **** Jun. 10, 2014**

(54) **PLASTIC CONTAINER**

(71) Applicants: **Kyle Fleischhacker**, Detroit, MI (US);
James J. Miller, Barberton, OH (US);
Marc A. Pedmo, Litchfield, OH (US)

(72) Inventors: **Kyle Fleischhacker**, Detroit, MI (US);
James J. Miller, Barberton, OH (US);
Marc A. Pedmo, Litchfield, OH (US)

(73) Assignee: **Plastipak Packaging, Inc.**, Plymouth, MI (US)

(**) Term: **14 Years**

(21) Appl. No.: **29/458,404**

(22) Filed: **Jun. 19, 2013**

Related U.S. Application Data

(62) Division of application No. 29/427,782, filed on Jul. 23, 2012, now Pat. No. Des. 687,306.

(51) **LOC (10) Cl.** **09-01**

(52) **U.S. Cl.**
USPC **D9/556**

(58) **Field of Classification Search**
USPC D9/500, 502, 503, 516, 517, 519, 523,
D9/528, 530, 531, 532, 536, 549, 550,
D9/551-553, 555, 556, 558, 568, 569,
D9/719; 215/40, 43-49, 375, 381-385,
215/398, 396; 222/488, 489, 544, 566-568,
222/570; 220/592.16, 592.17, 592.18, 752,
220/760, 769, 767, 768; D7/312, 313, 300,
D7/319, 321

See application file for complete search history.

(56) **References Cited**

U.S. PATENT DOCUMENTS

D104,656	S	*	5/1937	Fuerst et al.	D9/556
2,307,390	A	*	1/1943	Chew	215/398
D190,835	S	*	7/1961	Fuerst	D9/536
D212,459	S	*	10/1968	Pettengill	D9/556
D295,372	S	*	4/1988	Klette et al.	D9/500
D295,499	S	*	5/1988	LeFevre	D9/556
D406,065	S	*	2/1999	Cheng	D9/552
D567,098	S	*	4/2008	Sequeira	D9/552
D569,259	S	*	5/2008	Darr et al.	D9/552
D626,851	S	*	11/2010	El Aquah	D9/553
D687,306	S	*	8/2013	Fleischhacker et al.	D9/531
2013/0026128	A1	*	1/2013	Beck et al.	215/382

* cited by examiner

Primary Examiner — Derrick Holland

Assistant Examiner — Lauren Calve

(74) *Attorney, Agent, or Firm* — Mario A. Tabone

(57) **CLAIM**

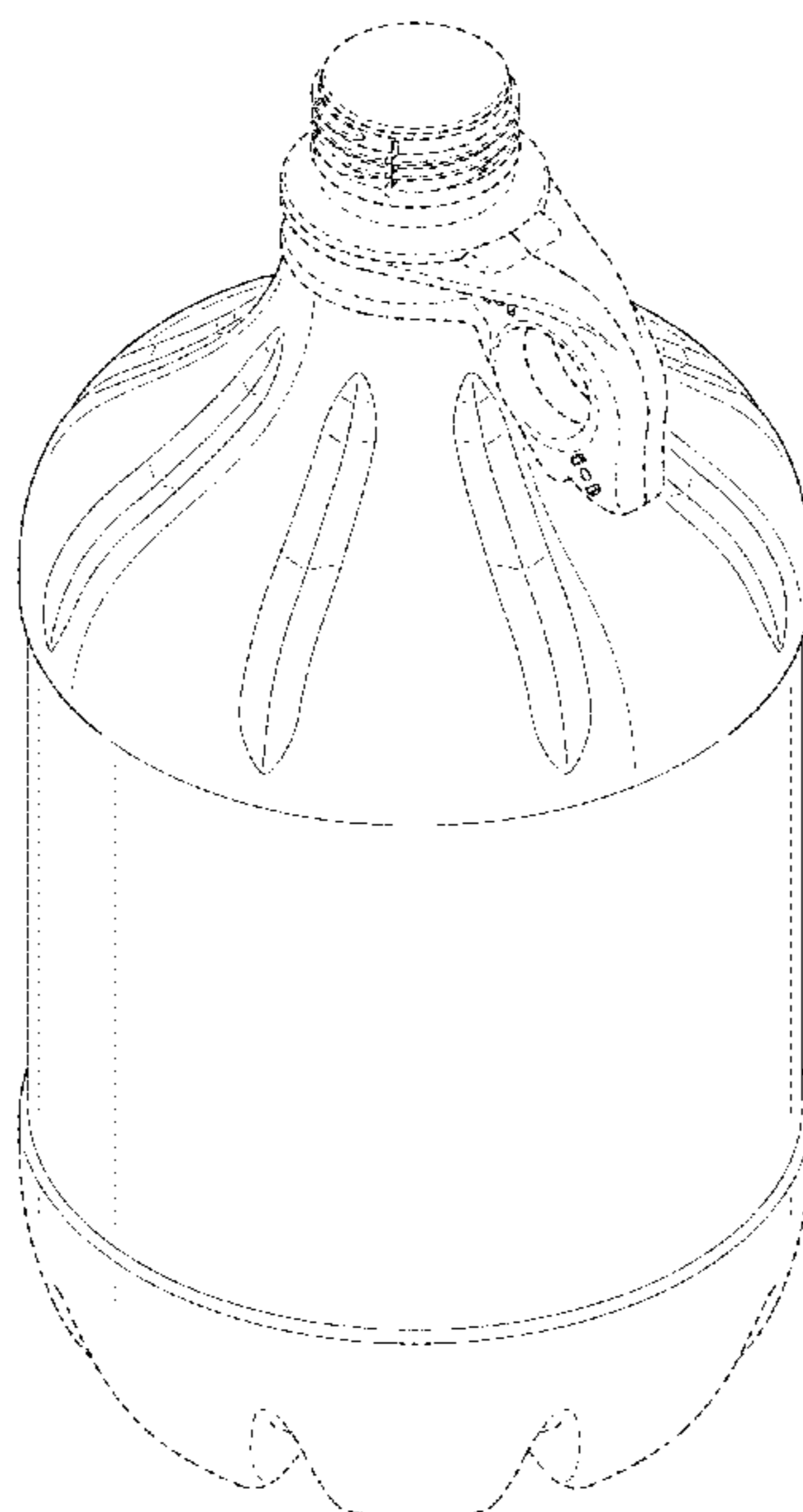
The ornamental design for a plastic container, as shown and described.

DESCRIPTION

FIG. 1 is a top-front-right perspective view of a plastic container showing the claimed design;
FIG. 2 is a front elevational view thereof;
FIG. 3 is a rear elevational view thereof;
FIG. 4 is a left elevational view thereof;
FIG. 5 is a right elevational view thereof;
FIG. 6 is a top plan view thereof; and,
FIG. 7 is a bottom plan view thereof.

The broken line showing of a plastic container represents unclaimed subject matter and forms no part of the claimed design.

1 Claim, 7 Drawing Sheets



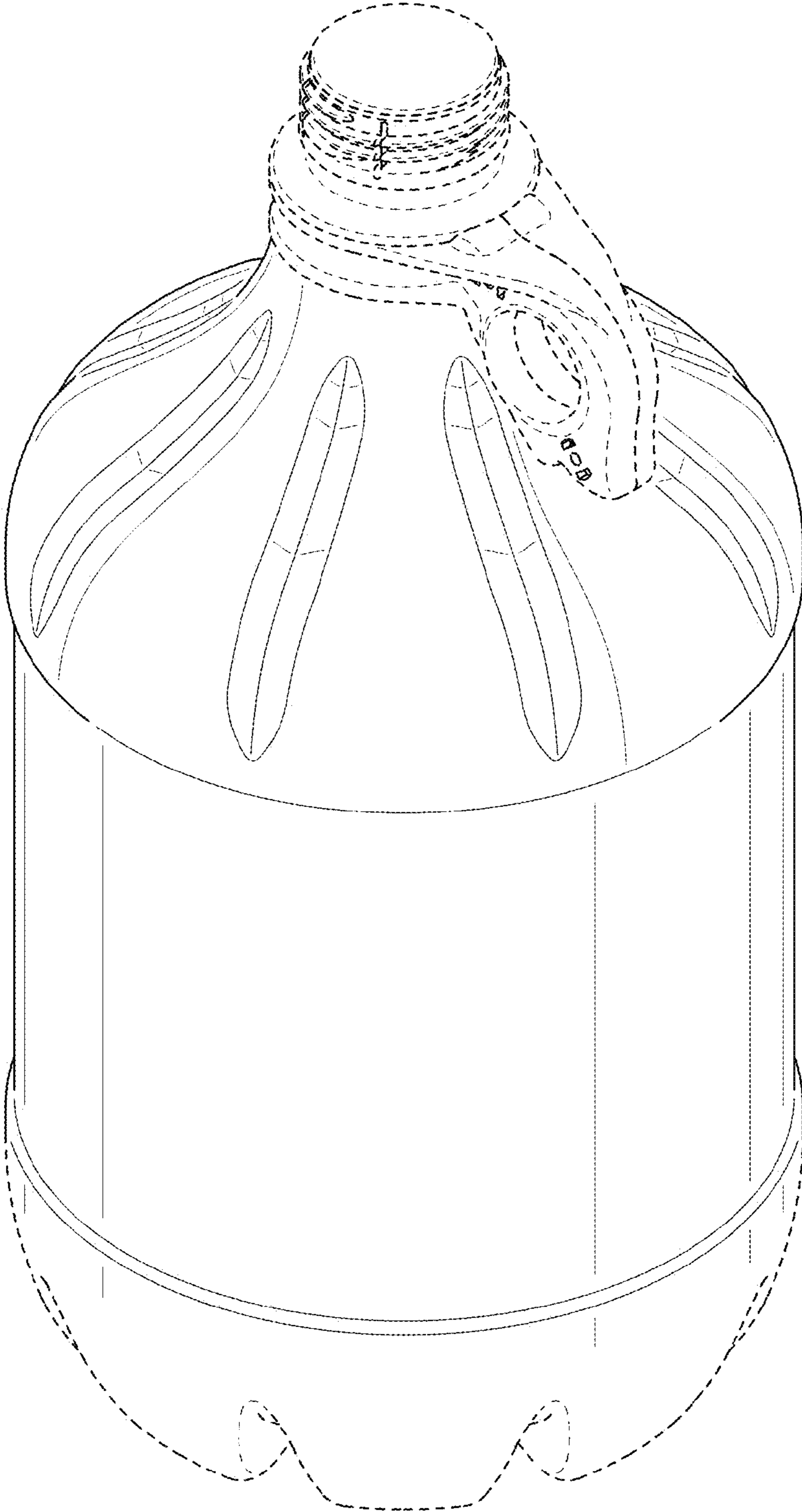


FIG. 1

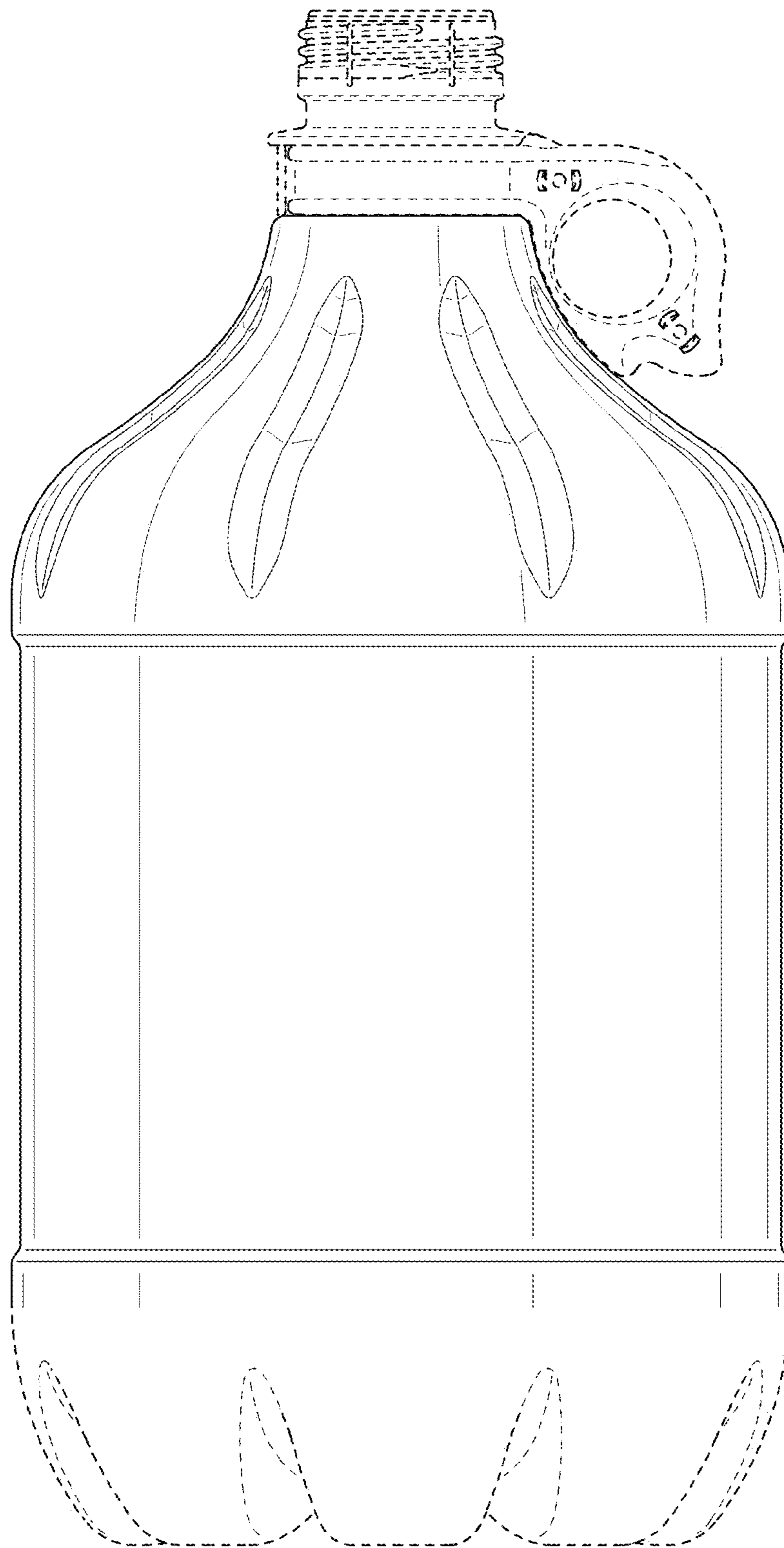


FIG. 2

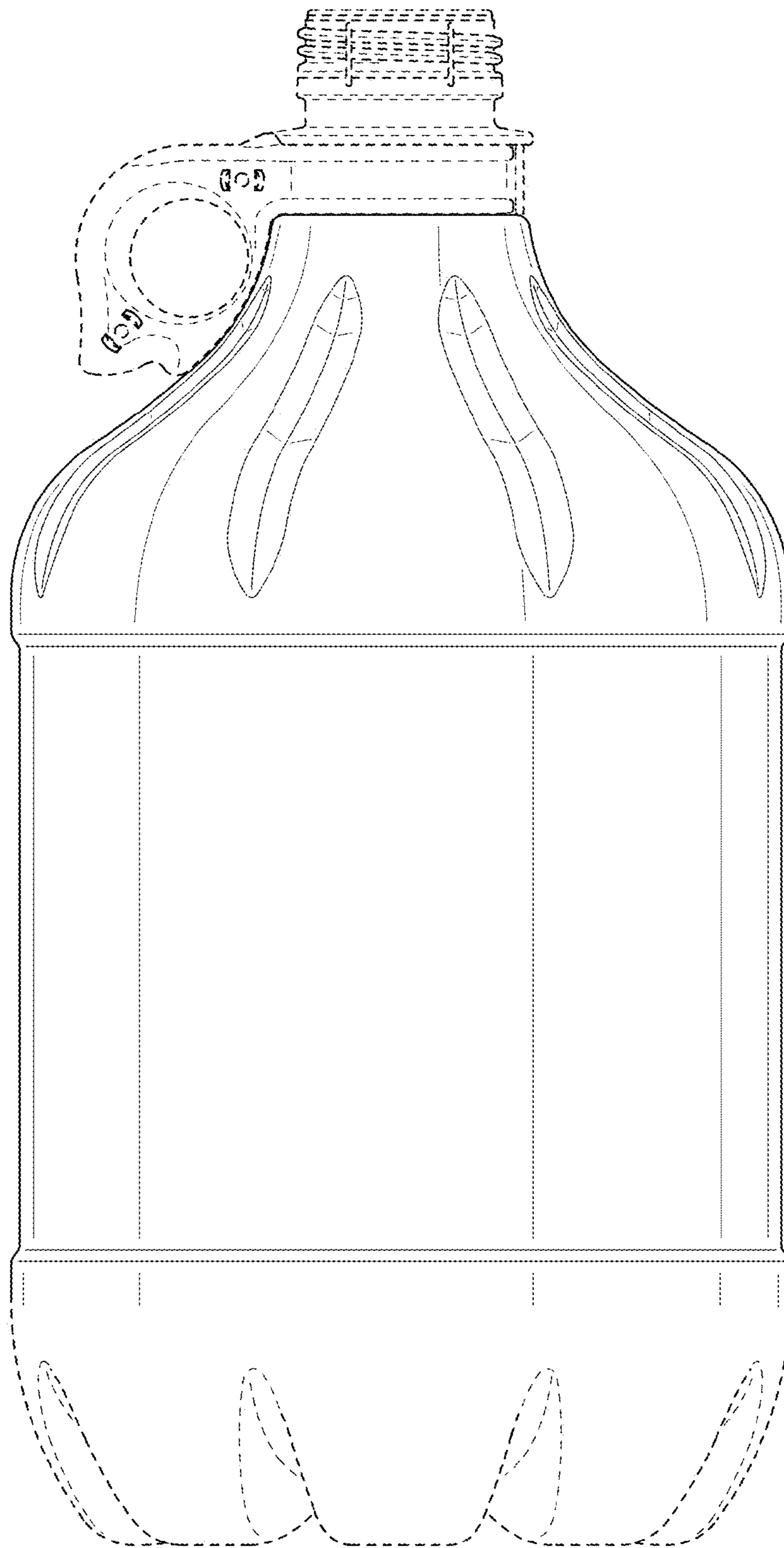


FIG. 3

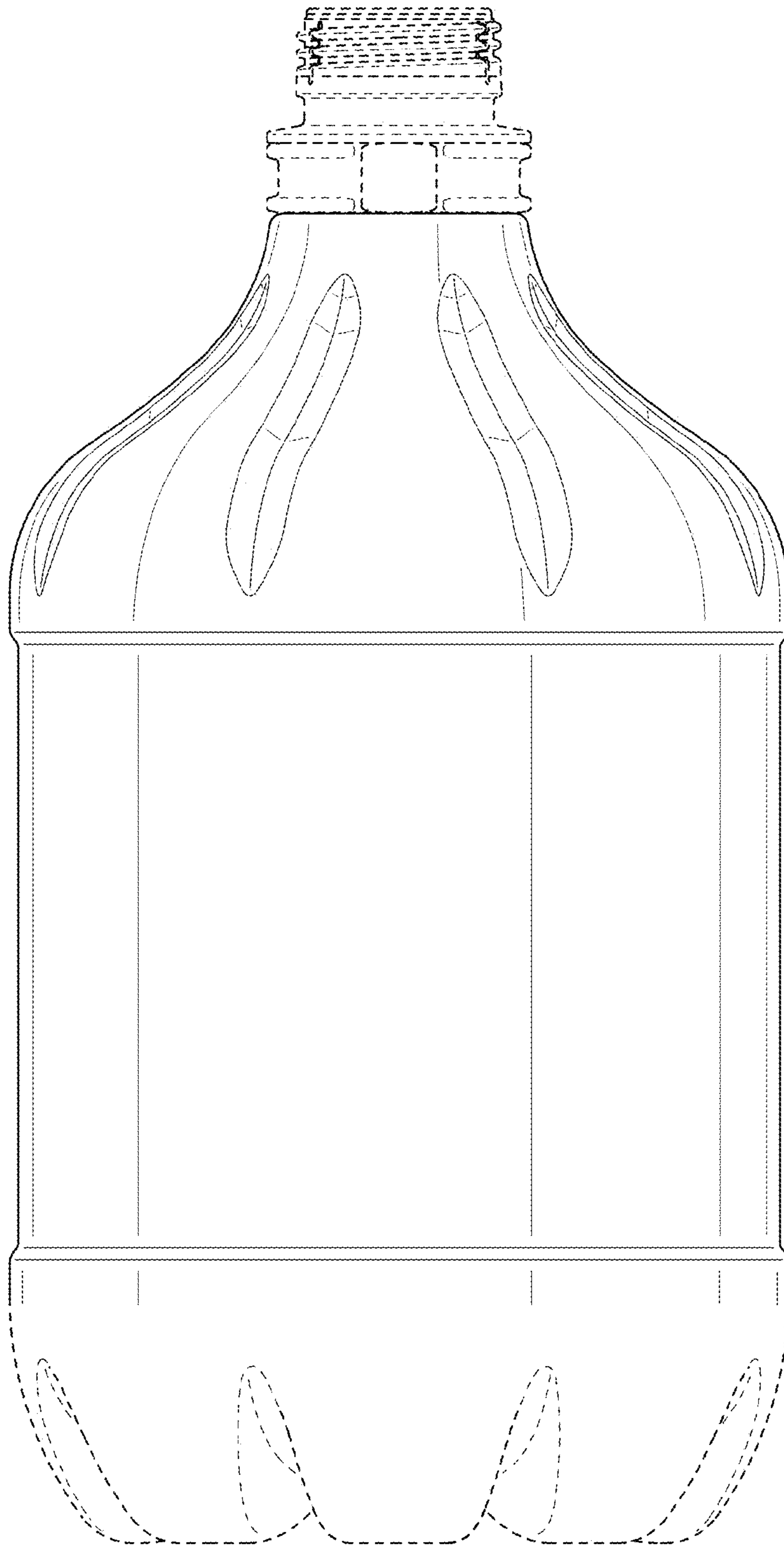


FIG. 4

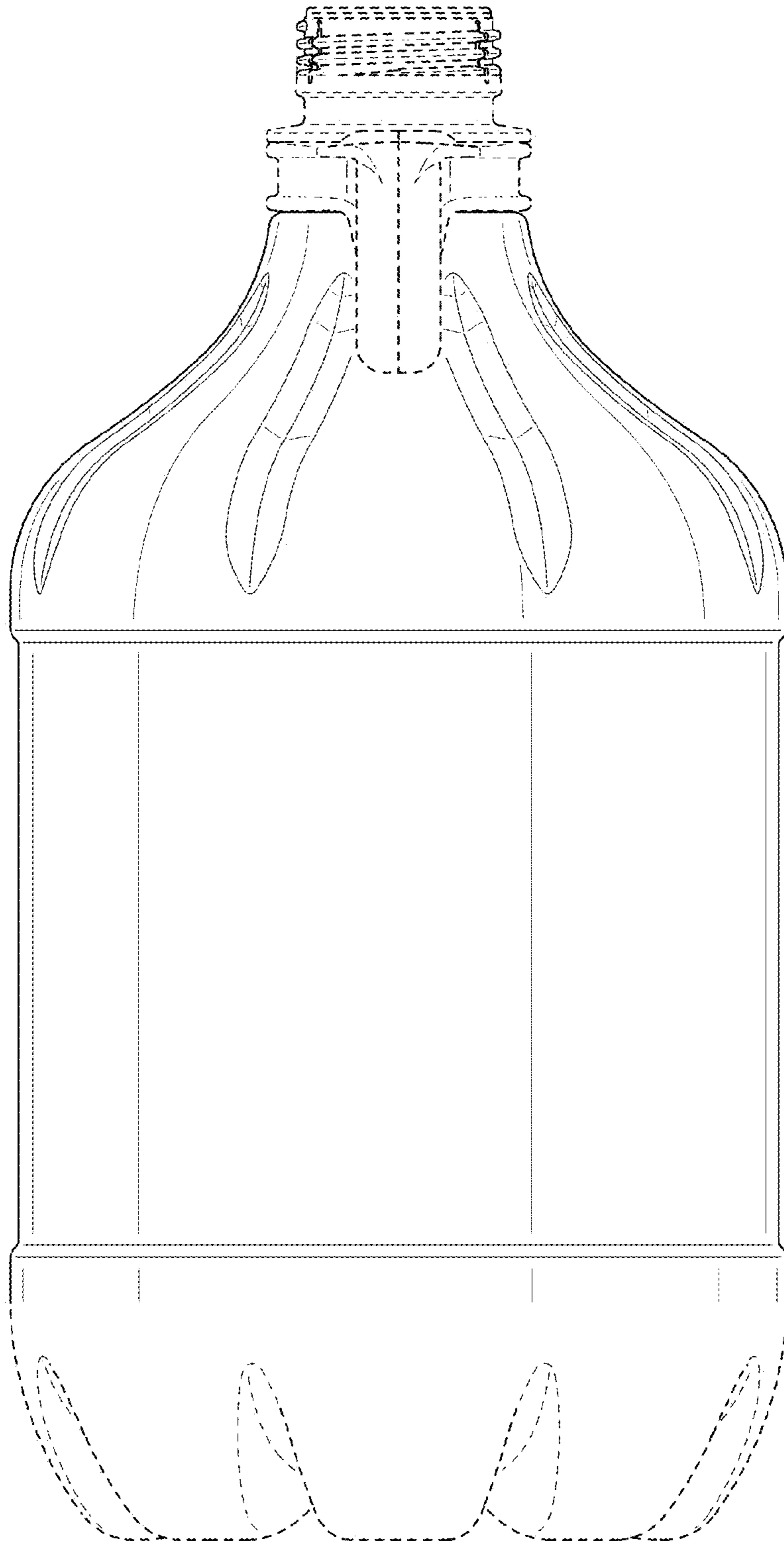


FIG. 5

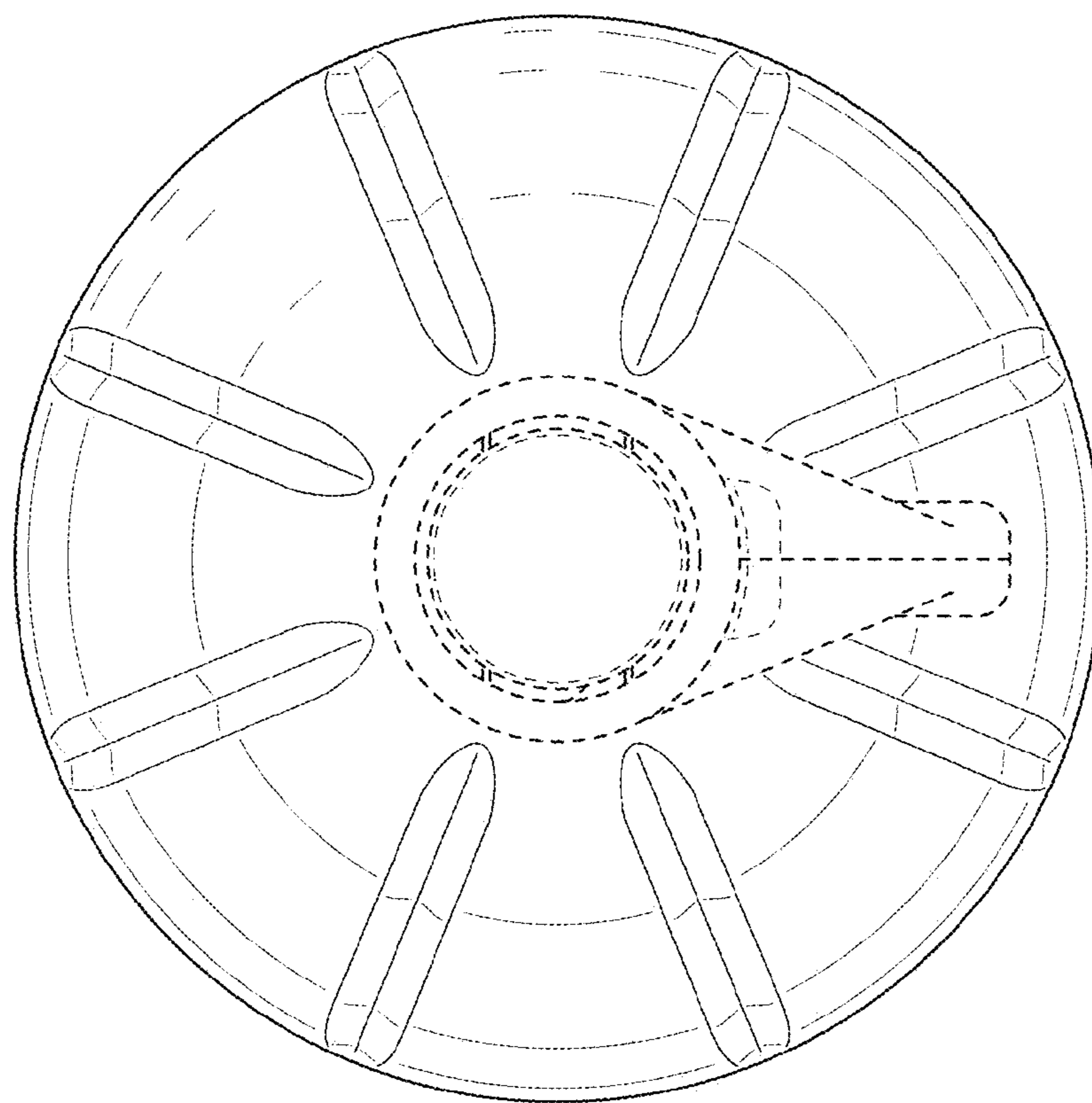


FIG. 6

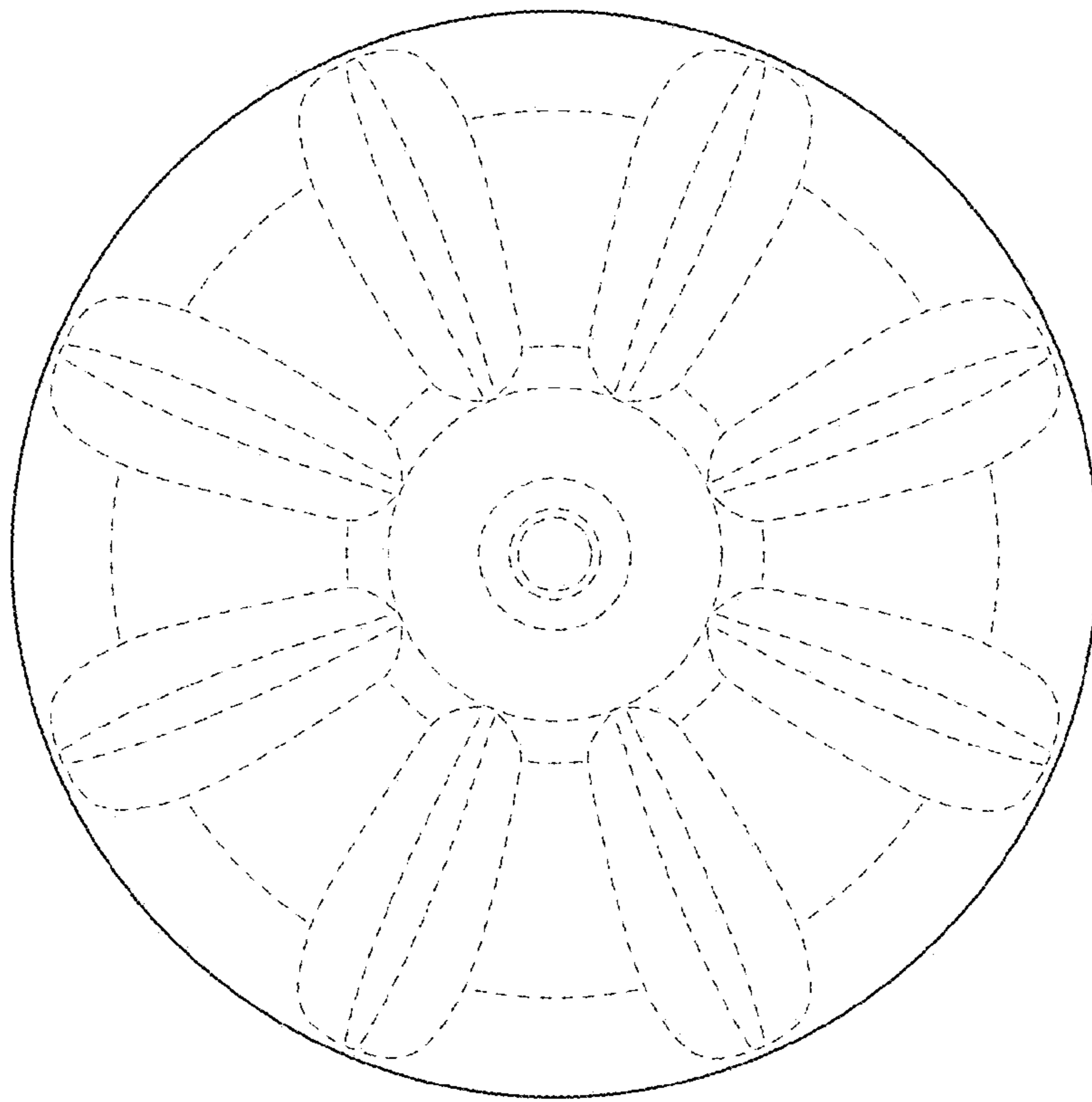


FIG. 7