



US00D706634S

(12) **United States Design Patent**
Herman et al.

(10) **Patent No.:** **US D706,634 S**
(45) **Date of Patent:** **** Jun. 10, 2014**

(54) **BOTTLE**

(71) Applicant: **Owens-Brockway Glass Container Inc.**, Perrysburg, OH (US)

(72) Inventors: **Megan Herman**, Toledo, OH (US);
Joseph J. Balusik, III, Ottawa Lake, MI (US); **Raul M. Paredes**, Perrysburg, OH (US); **Karl A. Reisig**, Maumee, OH (US); **Douglas Laib**, Perrysburg, OH (US)

(73) Assignee: **Owens-Brockway Glass Container Inc.**, Perrysburg, OH (US)

(**) Term: **14 Years**

(21) Appl. No.: **29/450,876**

(22) Filed: **Mar. 25, 2013**

(51) **LOC (10) Cl.** **09-01**

(52) **U.S. Cl.**
USPC **D9/500; D9/550**

(58) **Field of Classification Search**
USPC D9/500, 502-505, 516, 537-540, 549,
D9/558, 762-764, 772, 550; 215/379,
215/381-384; 220/660, 662, 669-673, 675
See application file for complete search history.

(56) **References Cited**

U.S. PATENT DOCUMENTS

1,079,403 A	11/1913	Creelius
D58,203 S	6/1921	Anderson
D237,778 S	11/1975	Lorgues
D272,990 S	3/1984	Strand
D330,334 S	10/1992	Rusnock et al.

D357,864 S *	5/1995	Rusnock et al.	D9/500
D363,026 S *	10/1995	Sillince et al.	D9/500
D374,176 S *	10/1996	Sillince et al.	D9/719
5,857,275 A	1/1999	Deal		
D452,436 S *	12/2001	Darr et al.	D9/500
D472,811 S *	4/2003	Deubel et al.	D9/502
D473,469 S *	4/2003	Claessen	D9/537
D475,926 S *	6/2003	Rusnock et al.	D9/502
6,659,298 B2	12/2003	Wong		
D489,983 S *	5/2004	Futral et al.	D9/500
D546,686 S *	7/2007	Warner	D9/502
D572,590 S *	7/2008	Coulis et al.	D9/500
D630,519 S	1/2011	Toms et al.		
D642,059 S *	7/2011	Webster et al.	D9/502
D646,166 S	10/2011	Chupak		
D691,482 S *	10/2013	Naumann et al.	D9/550
D695,614 S *	12/2013	Crowe	D9/500
D696,946 S *	1/2014	Hines	D9/500
D697,804 S *	1/2014	Hanson et al.	D9/500
2003/0042221 A1	3/2003	Wong		

* cited by examiner

Primary Examiner — Ian Simmons

Assistant Examiner — Dana L Meyrow

(57) **CLAIM**

We claim the ornamental design for a bottle, as shown and described.

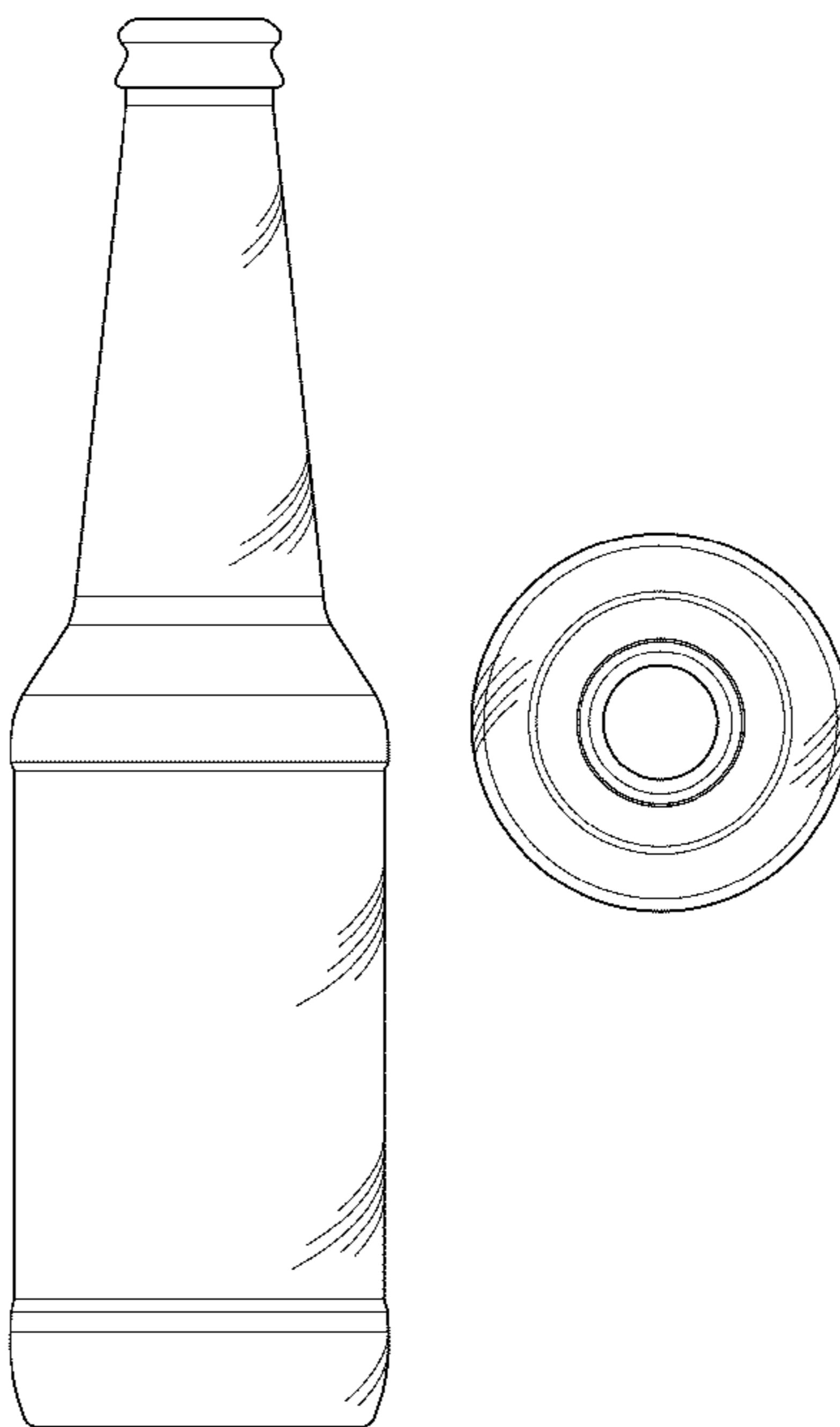
DESCRIPTION

FIG. 1 is a perspective view of a bottle in accordance with our new design.

FIG. 2 is a front elevational view of the bottle in FIG. 1, both side elevational views and the rear elevational view being identical to FIG. 2; and,

FIG. 3 is a top plan view of the bottle in FIGS. 1-2, the bottle bottom forming no part of the claimed design.

1 Claim, 1 Drawing Sheet



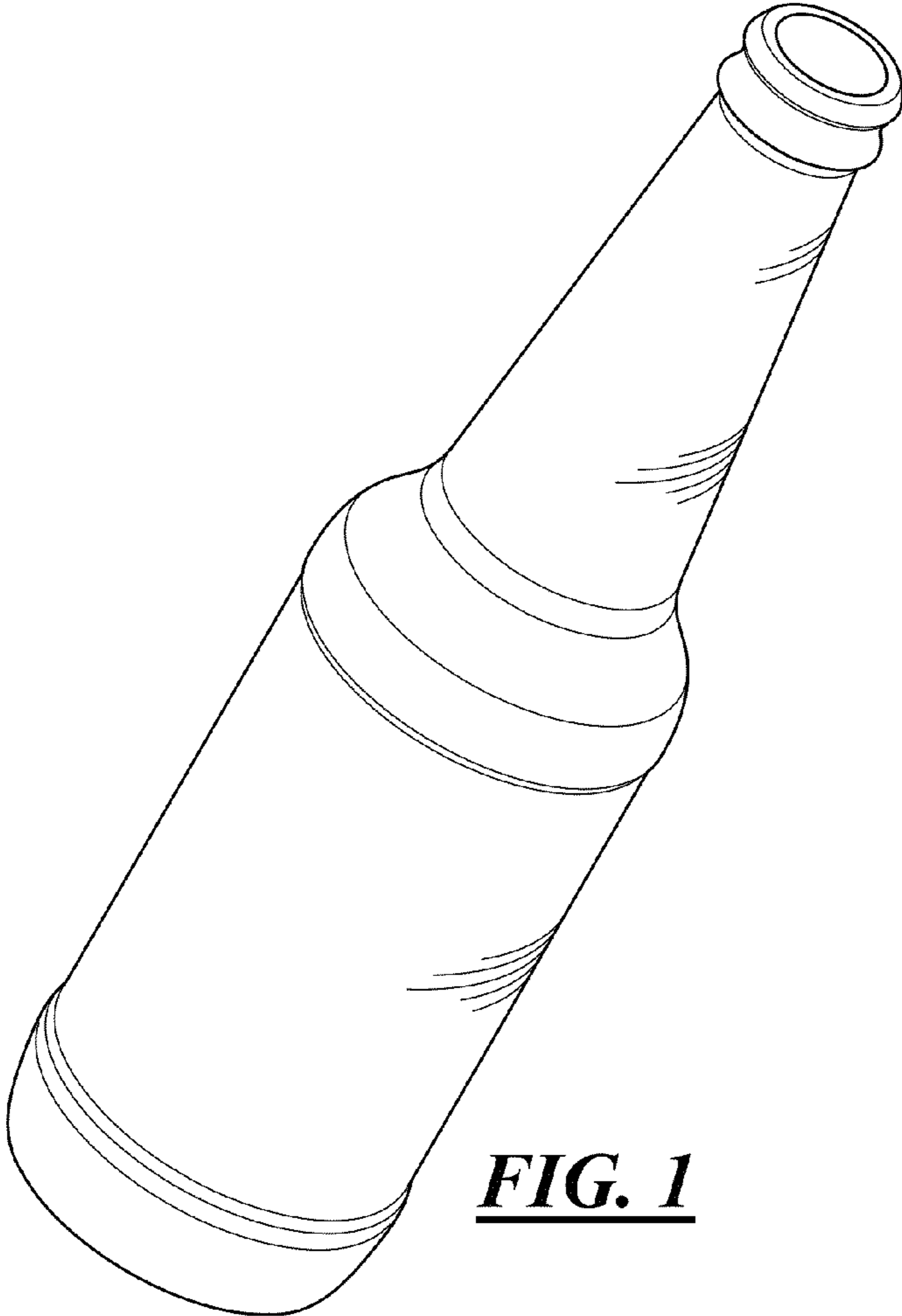


FIG. 1

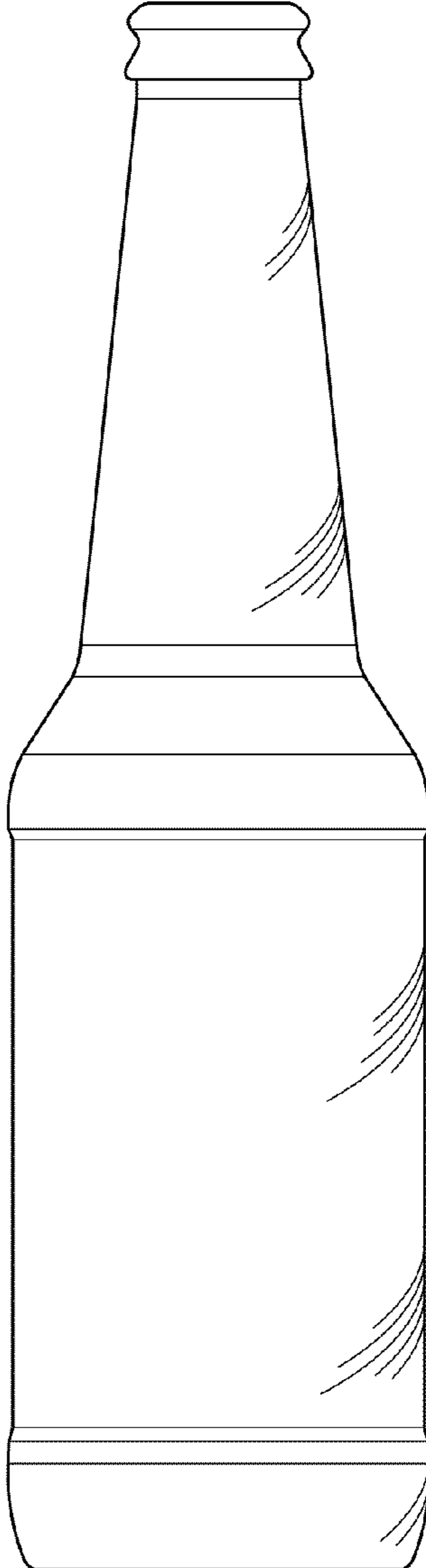


FIG. 2

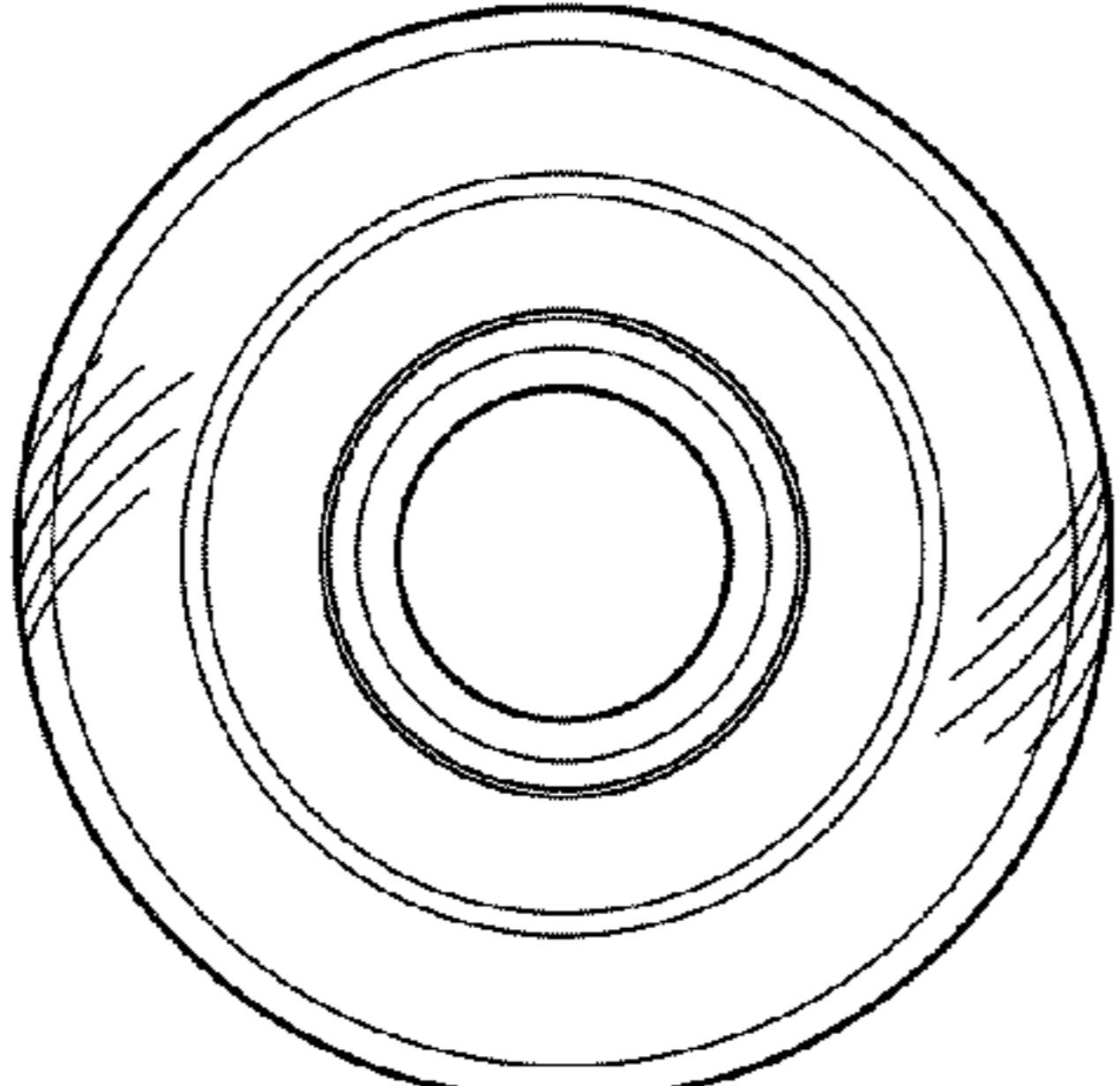


FIG. 3