



US00D706633S

(12) **United States Design Patent**
Reisig et al.

(10) **Patent No.:** **US D706,633 S**
(45) **Date of Patent:** **** Jun. 10, 2014**

(54) **BOTTLE**

(71) Applicant: **Owens-Brockway Glass Container Inc.**, Perrysburg, OH (US)

(72) Inventors: **Karl A. Reisig**, Maumee, OH (US);
Joseph J. Balusik, III, Ottawa Lake, MI (US); **Raul M. Paredes**, Perrysburg, OH (US)

(73) Assignee: **Owens-Brockway Glass Container Inc.**, Perrysburg, OH (US)

(**) Term: **14 Years**

(21) Appl. No.: **29/450,875**

(22) Filed: **Mar. 25, 2013**

(51) **LOC (10) Cl.** **09-01**

(52) **U.S. Cl.**
USPC **D9/500; D9/550; D9/562**

(58) **Field of Classification Search**
USPC **D9/500, 502-505, 516, 537-540, 549, D9/558, 762-764, 772, 550; 215/379, 215/381-384; 220/660, 662, 669-673, 675**
See application file for complete search history.

(56) **References Cited**

U.S. PATENT DOCUMENTS

D91,417 S 1/1934 Blumenthal
D330,334 S * 10/1992 Rusnock et al. D9/500
D357,864 S 5/1995 Rusnock et al.

D363,026 S * 10/1995 Sillince et al. D9/500
D364,347 S 11/1995 Sillince et al.
D374,176 S * 10/1996 Sillince et al. D9/719
D452,436 S * 12/2001 Darr et al. D9/500
D472,811 S 4/2003 Deubel et al.
D473,469 S * 4/2003 Claessen D9/537
D475,926 S 6/2003 Rusnock et al.
D476,571 S 7/2003 Lince
D476,896 S 7/2003 Cheng et al.
D484,415 S 12/2003 Hadtke et al.
D489,983 S * 5/2004 Futral et al. D9/500
D572,590 S * 7/2008 Coulis et al. D9/500
D691,482 S * 10/2013 Naumann et al. D9/550
D695,614 S * 12/2013 Crowe D9/500
D697,804 S * 1/2014 Hanson et al. D9/500

* cited by examiner

Primary Examiner — Ian Simmons

Assistant Examiner — Dana L Meyrow

(57) **CLAIM**

We claim the ornamental design for a bottle, as shown and described.

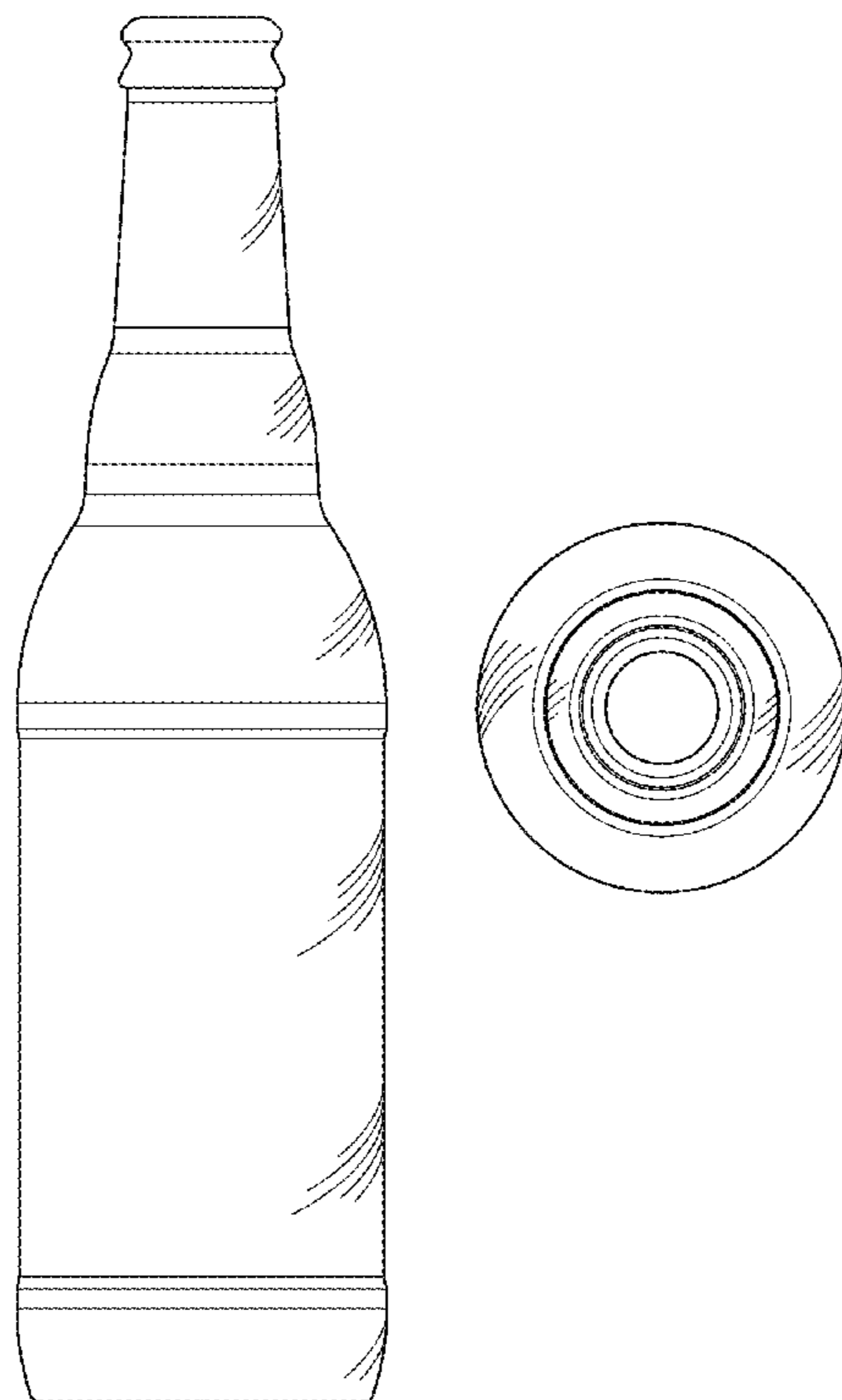
DESCRIPTION

FIG. 1 is a perspective view of a bottle in accordance with our new design.

FIG. 2 is a front elevational view of the bottle in FIG. 1, both side elevational views and the rear elevational view being identical to FIG. 2; and,

FIG. 3 is a top plan view of the bottle in FIGS. 1-2, the bottle bottom forming no part of the claimed design.

1 Claim, 1 Drawing Sheet



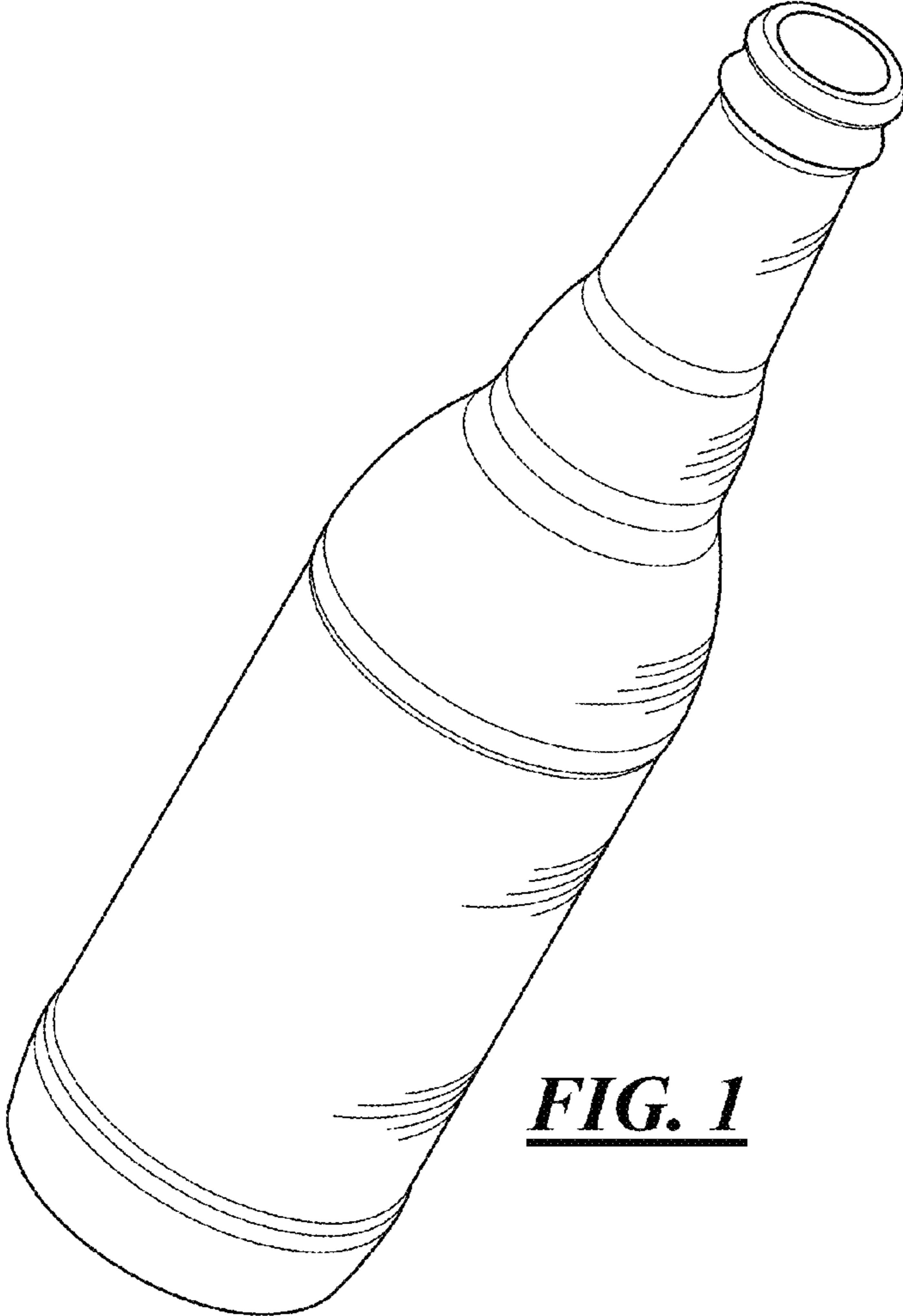


FIG. 1

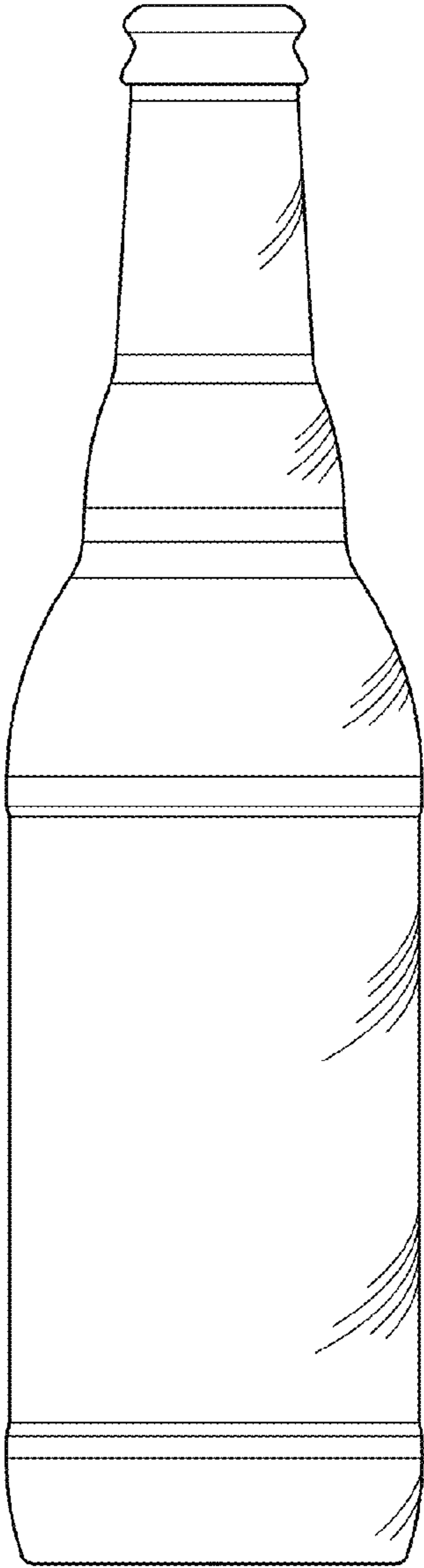


FIG. 2

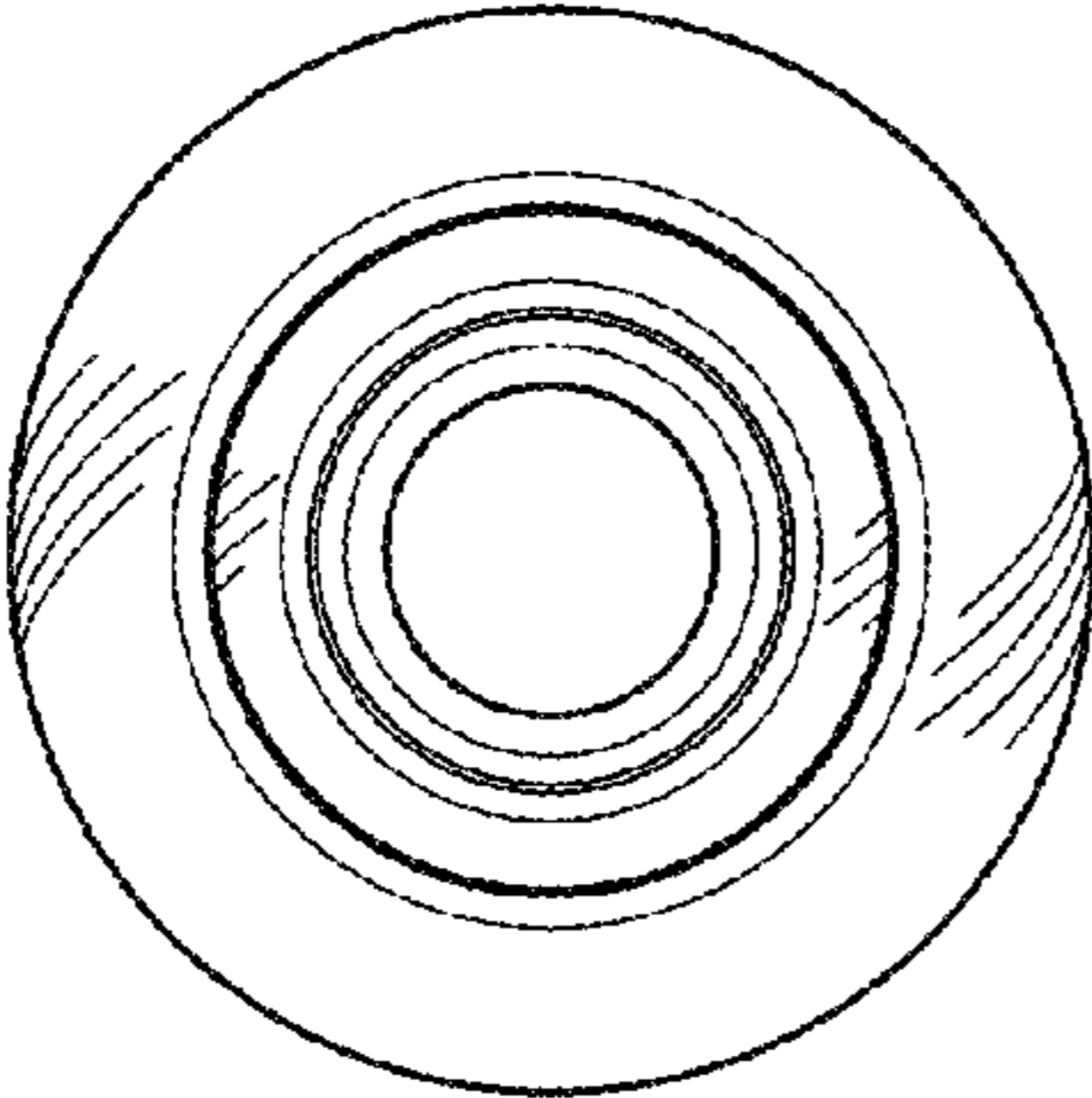


FIG. 3