



US00D706631S

(12) **United States Design Patent**  
**Wilson et al.**

(10) **Patent No.:** **US D706,631 S**  
(45) **Date of Patent:** **\*\* Jun. 10, 2014**

- (54) **CAP**
- (71) Applicant: **McCormick & Company, Incorporated**, Sparks, MD (US)
- (72) Inventors: **Tracie L. C. Wilson**, Westminster, MD (US); **Thomas Koll Porter Gieske**, Lutherville, MD (US); **James A. Whisenhunt**, Independence, MO (US); **Darin Michael Pugne**, Pittsburgh, PA (US)
- (73) Assignee: **McCormick & Company, Incorporated**, Sparks, MD (US)
- (\*\*) Term: **14 Years**
- (21) Appl. No.: **29/450,182**
- (22) Filed: **Mar. 15, 2013**
- (51) **LOC (10) Cl.** ..... **09-07**
- (52) **U.S. Cl.**  
USPC ..... **D9/436**
- (58) **Field of Classification Search**  
USPC ..... D7/392.1, 396.2, 512, 590; D4/114, D4/116; D9/436, 440, 443, 447, 449, 450, D9/454, 455; 99/516; 132/115; 215/228; 222/212, 480, 521, 536; 248/113; 401/278  
See application file for complete search history.

D357,810	S	*	5/1995	Evans	.....	D4/114
5,934,187	A	*	8/1999	Leon	.....	99/516
D608,097	S	*	1/2010	Zanjani et al.	.....	D4/114
D612,614	S	*	3/2010	Maxwell	.....	D4/114
D616,204	S	*	5/2010	Zemel	.....	D4/114
D656,819	S	*	4/2012	Porter et al.	.....	D9/436
D668,052	S	*	10/2012	Maxwell	.....	D4/114
2004/0261808	A1	*	12/2004	Kluge	.....	132/115
2005/0117962	A1	*	6/2005	Lion et al.	.....	401/278
2009/0050169	A1	*	2/2009	Ma et al.	.....	132/115

**OTHER PUBLICATIONS**

U.S. Appl. No. 29/450,094, filed Mar. 15, 2013, Gieske, et al.  
U.S. Appl. No. 29/450,206, filed Mar. 15, 2013, Gieske, et al.

\* cited by examiner

*Primary Examiner* — Susan Hattan

*Assistant Examiner* — Leanne Was

(74) *Attorney, Agent, or Firm* — Oblon, Spivak, McClelland, Maier & Neustadt, L.L.P.

(57) **CLAIM**

The ornamental design for a cap, as shown and described.

**DESCRIPTION**

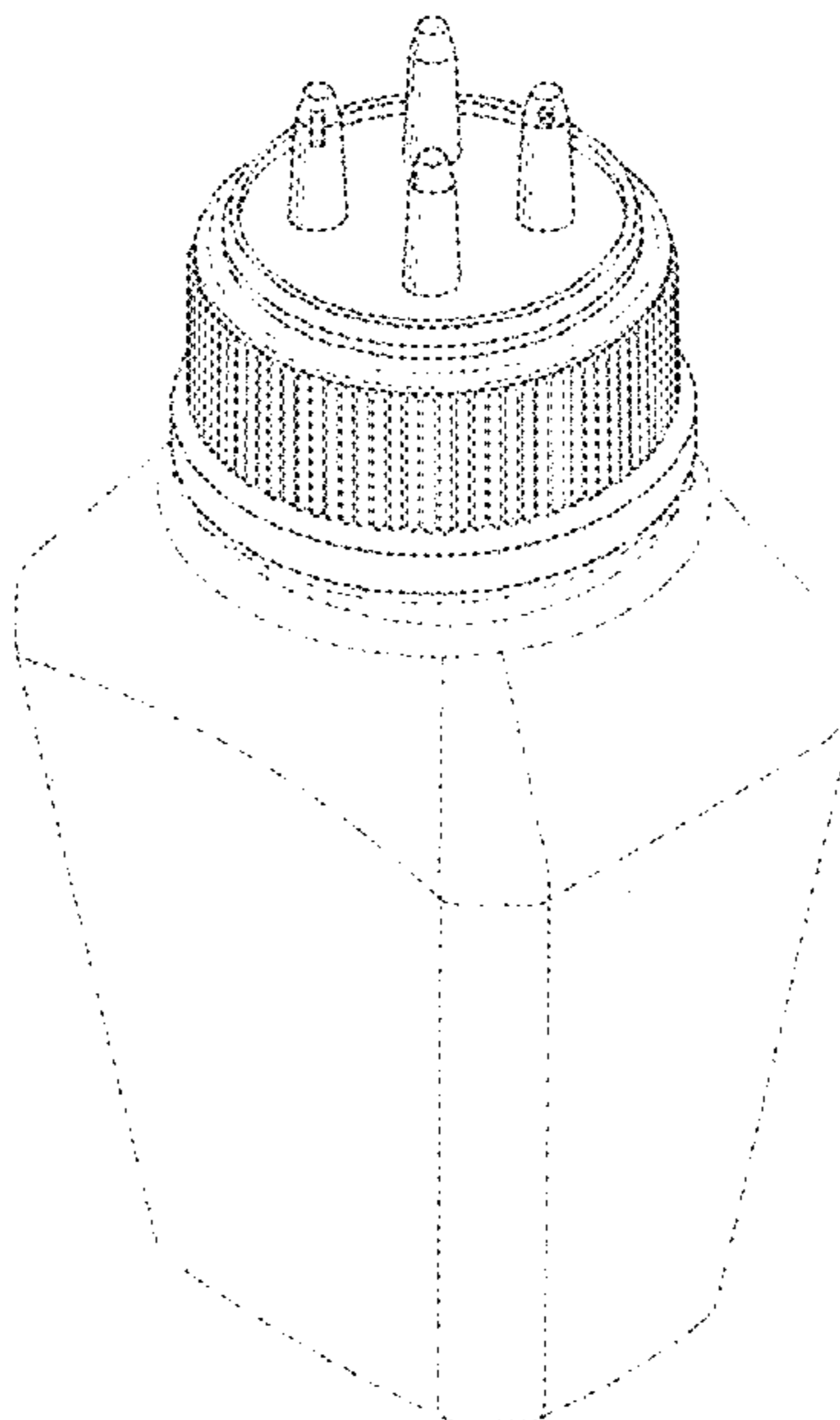
FIG. 1 is a front, top, and right side perspective view of a cap; FIG. 2 is a top plan view thereof; FIG. 3 is a front elevational view thereof; FIG. 4 is a rear elevational view thereof; FIG. 5 is a right side elevational view thereof; and, FIG. 6 is a left side elevational view thereof. The broken lines in the drawings depict environmental subject matter only and form no part of the claimed design.

(56) **References Cited**

**U.S. PATENT DOCUMENTS**

2,245,774	A	*	6/1941	Gregorek	.....	222/212
D272,235	S	*	1/1984	Orlando	.....	D9/436

**1 Claim, 6 Drawing Sheets**



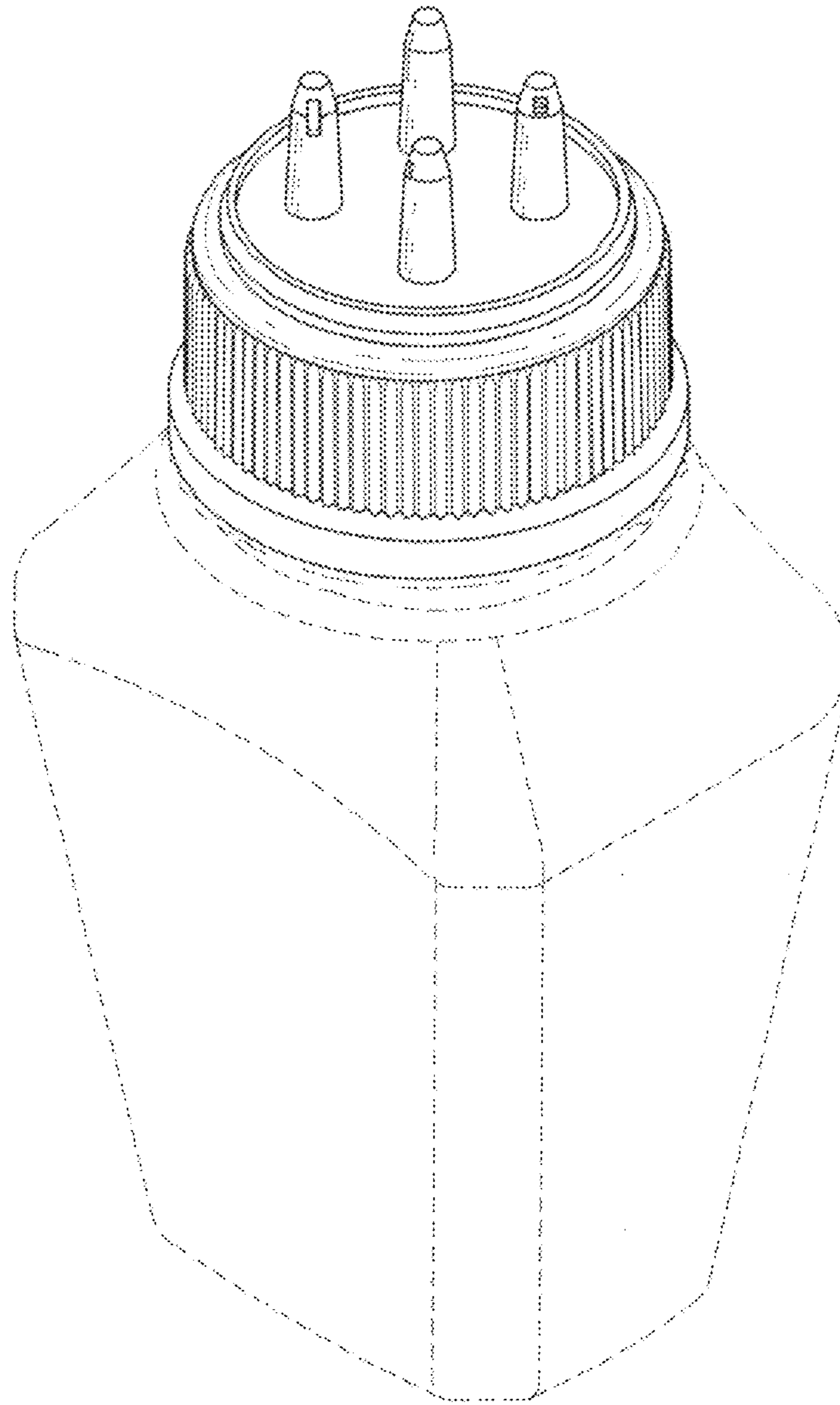


FIG. 1

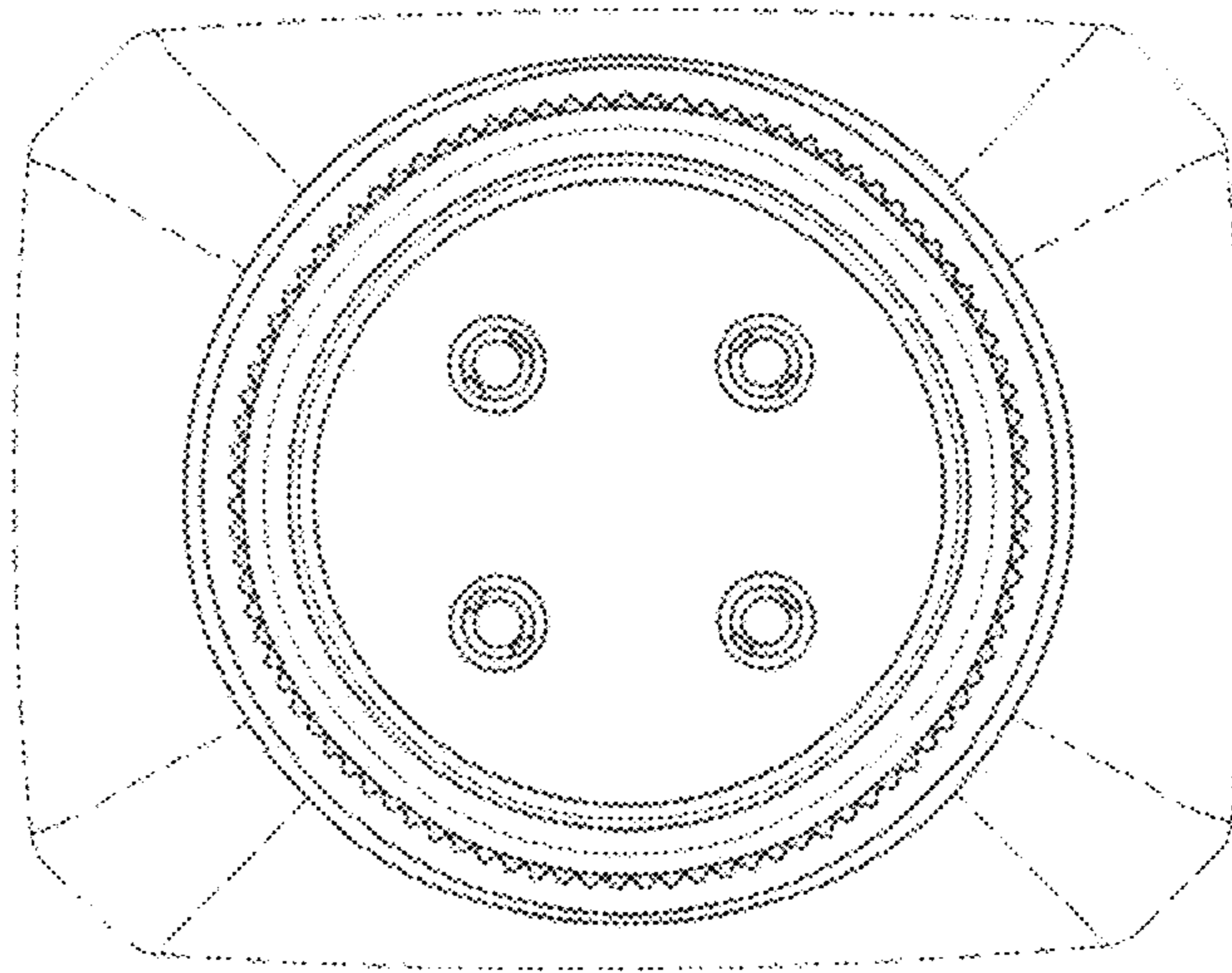


FIG. 2

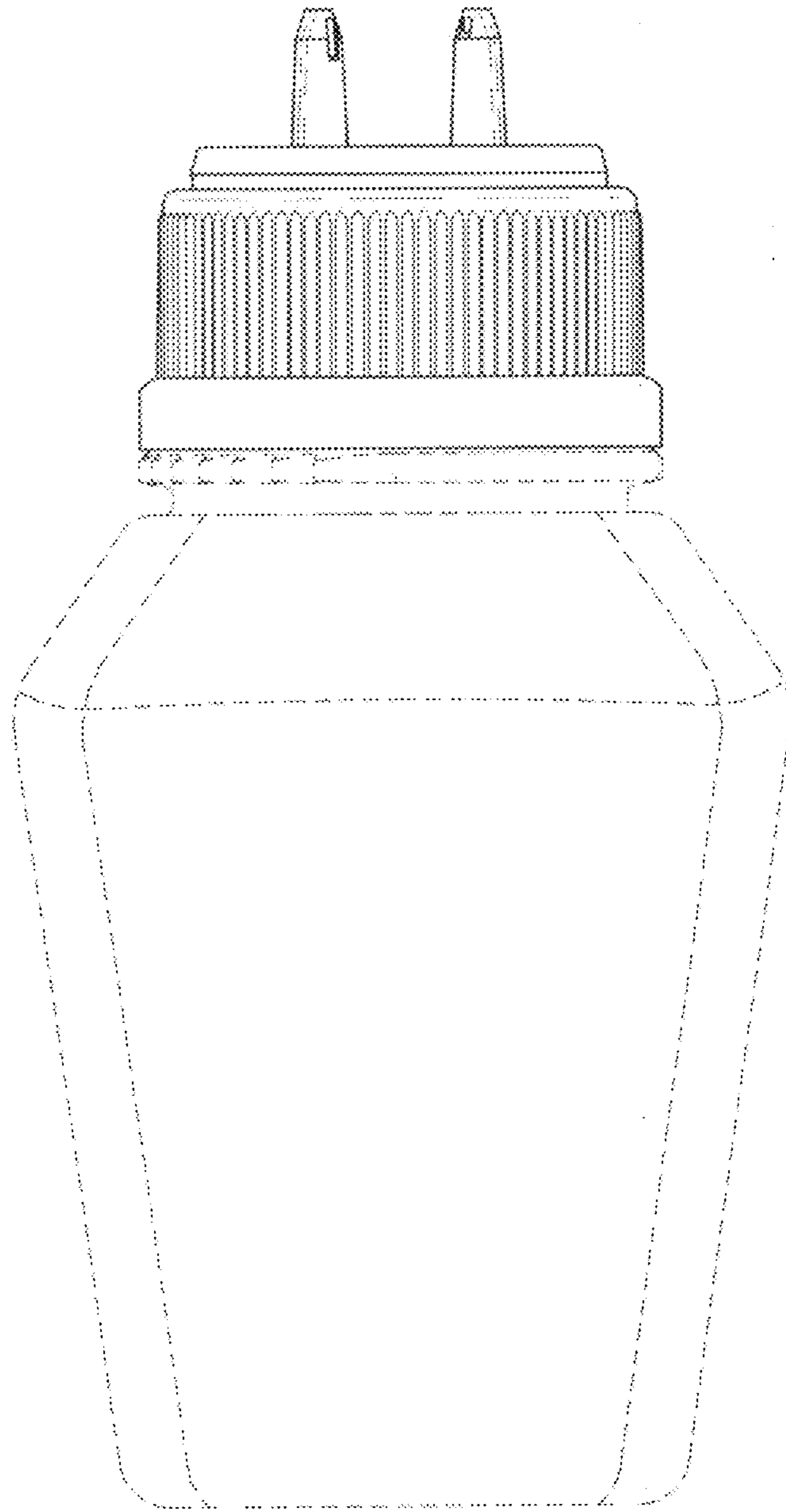


FIG. 3

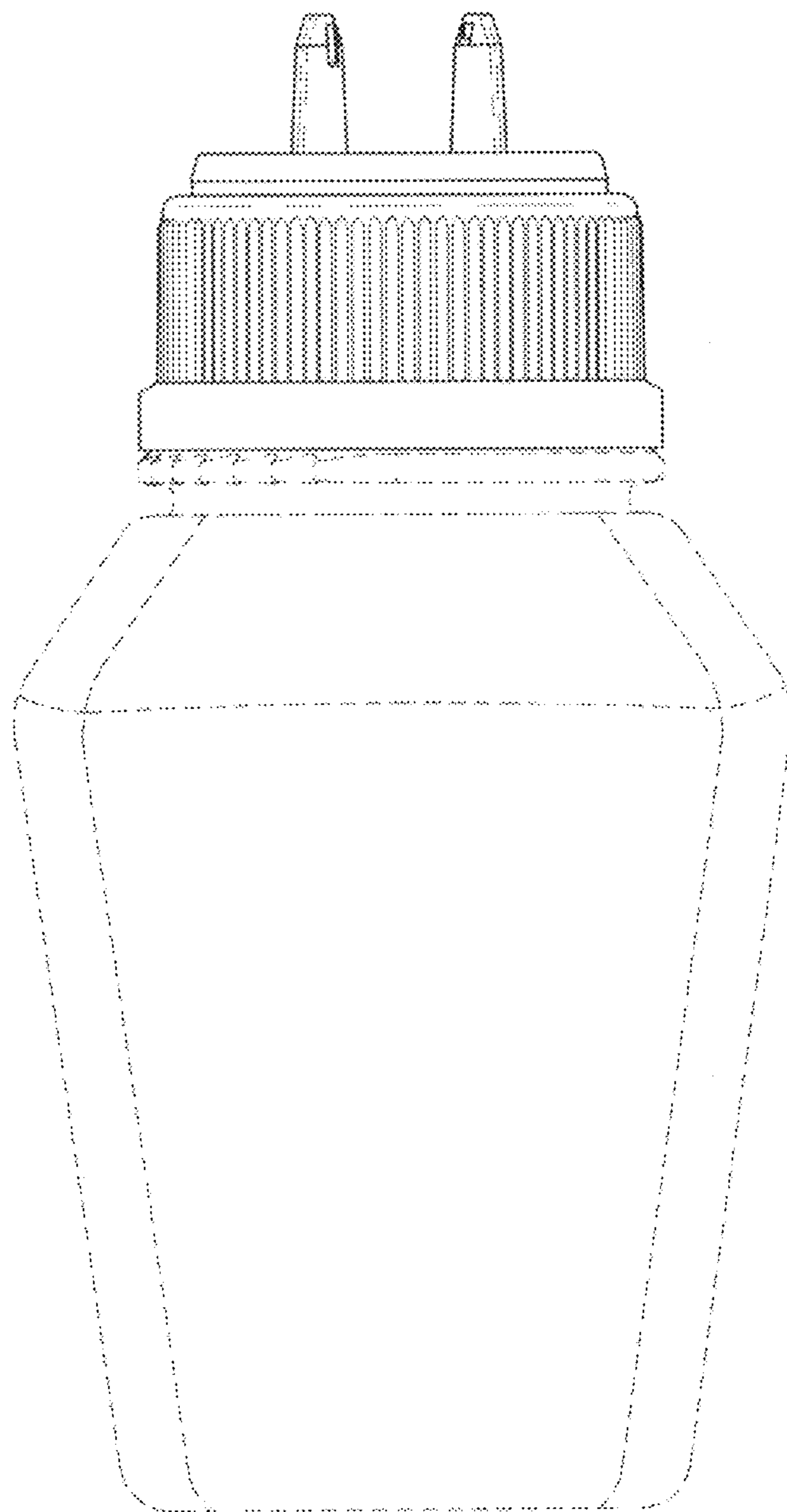


FIG. 4

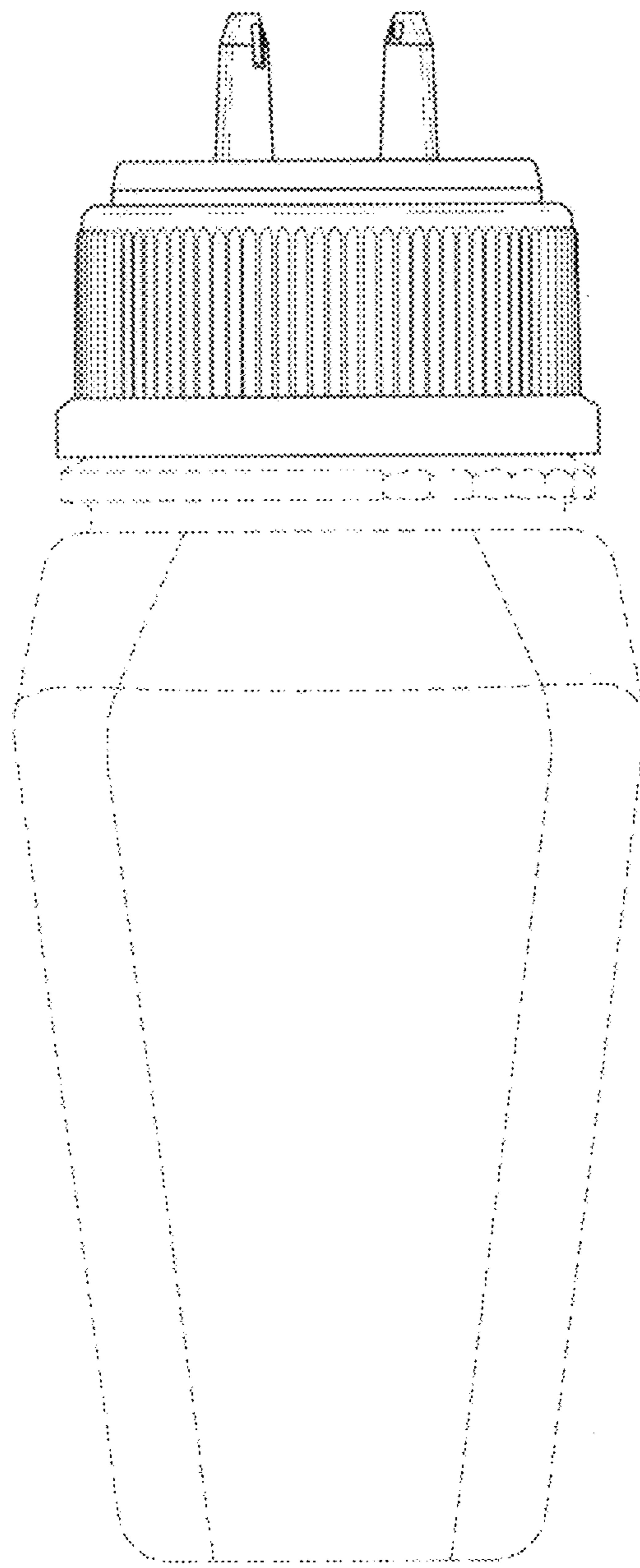


FIG. 5

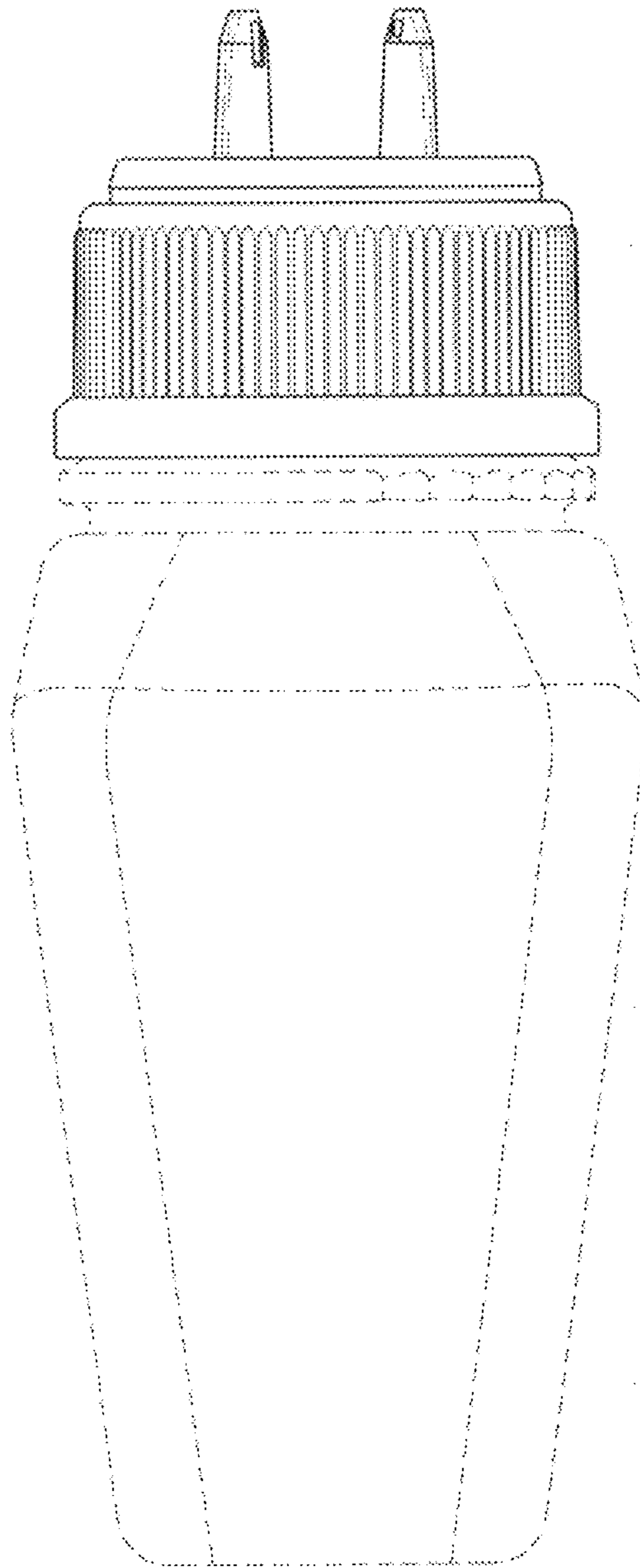


FIG. 6