



US00D706629S

(12) **United States Design Patent**
Bartels et al.

(10) **Patent No.:** **US D706,629 S**
(45) **Date of Patent:** **** Jun. 10, 2014**

(54) **PACKAGE FOR ABSORBENT ARTICLES**

(56) **References Cited**

(71) Applicant: **The Procter & Gamble Company,**
Cincinnati, OH (US)

U.S. PATENT DOCUMENTS

(72) Inventors: **Kara Marie Bartels,** West Chester, OH
(US); **JuKyoung Ham,** Cincinnati, OH
(US)

D283,309	S	*	4/1986	Caldwell et al.	D9/416
D587,111	S	*	2/2009	Seol et al.	D9/432
D590,250	S	*	4/2009	Seol	D9/432
D590,251	S	*	4/2009	Seol et al.	D9/432
D590,252	S	*	4/2009	Seol et al.	D9/432

(Continued)

(73) Assignee: **The Procter & Gamble Company,**
Cincinnati, OH (US)

Primary Examiner — Susan Bennett Hattan

Assistant Examiner — Brett Miller

(**) Term: **14 Years**

(74) *Attorney, Agent, or Firm* — Andrew J. Hagerty

(21) Appl. No.: **29/458,516**

(57) **CLAIM**

The ornamental design for a package for absorbent articles, as shown and described.

(22) Filed: **Jun. 20, 2013**

DESCRIPTION

(51) **LOC (10) Cl.** **09-07**

(52) **U.S. Cl.**

USPC **D9/434**

(58) **Field of Classification Search**

CPC B65D 5/4204

USPC D9/414-434, 703, 705, 707, 709, 711,

D9/690, 692, 697; D7/585-588,

D7/533.6-554.4, 560-565; D5/4, 7, 29,

D5/45, 14, 16, 19, 20, 25, 26, 27, 30, 47,

D5/53, 57, 61-63; D20/22, 40, 23, 27;

206/278, 297, 299, 770, 822, 457, 784,

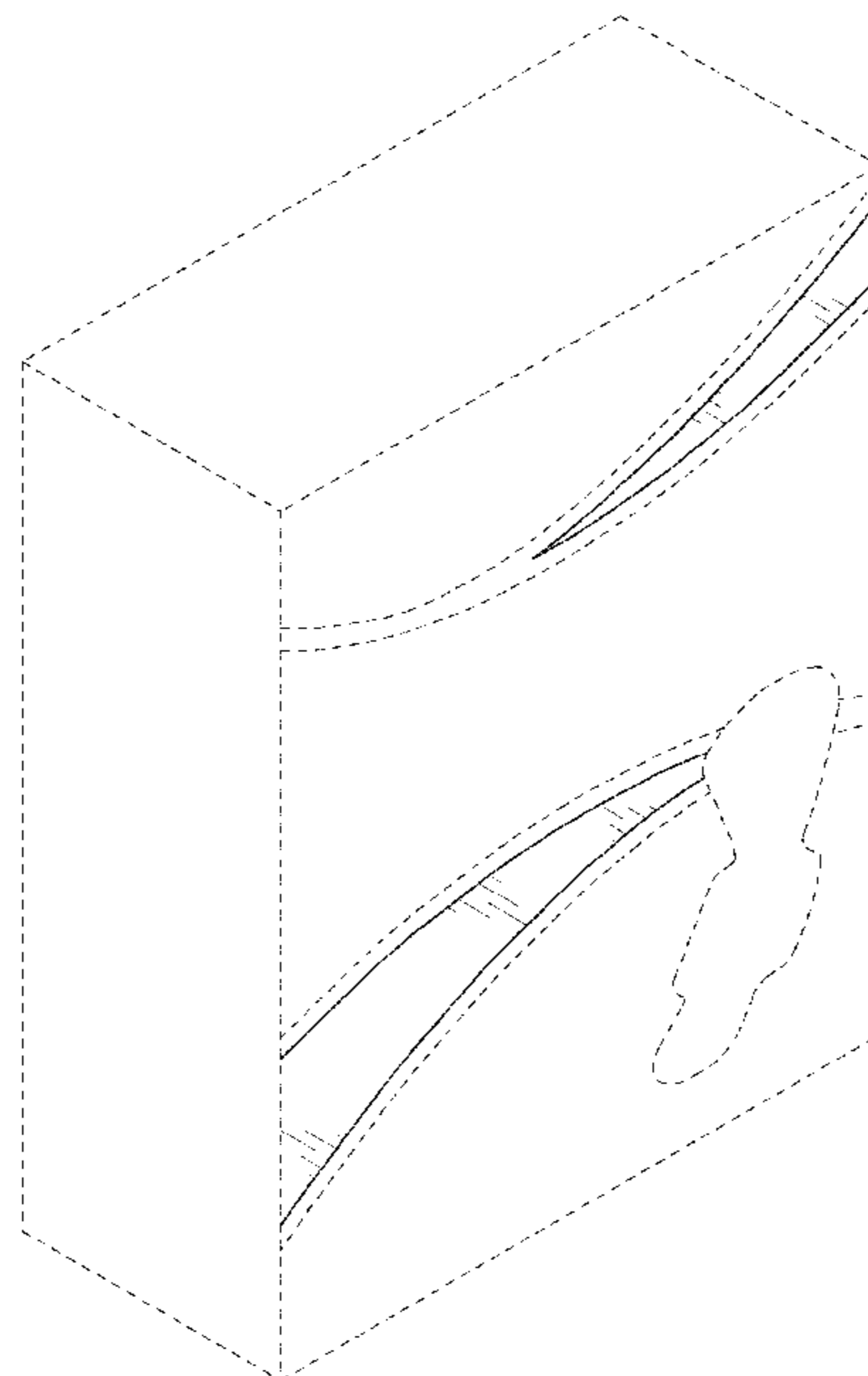
206/551, 746; 229/100, 101, 106, 108,

229/101.2, 161.2, 992, 938

FIG. 1 is a front perspective view of a first embodiment of a package for absorbent articles, embodying the new design; FIG. 2 is a front view of the design shown in FIG. 1; FIG. 3 is a back view of the design shown in FIG. 1; FIG. 4 is a right side view of the design shown in FIG. 1; FIG. 5 is a left side view of the design shown in FIG. 1; FIG. 6 is a top view of the design shown in FIG. 1; and FIG. 7 is a bottom view of the design shown in FIG. 1. FIG. 8 is a second embodiment of a package for absorbent articles, embodying the new design; FIG. 9 is a front view of the design shown in FIG. 8; FIG. 10 is a back view of the design shown in FIG. 8; FIG. 11 is a right side view of the design shown in FIG. 8; FIG. 12 is a left side view of the design shown in FIG. 8; FIG. 13 is a top view of the design shown in FIG. 8; and FIG. 14 is a bottom view of the design shown in FIG. 8. Broken lines shown in the figures are for illustrative purposes only and form no part of the claimed design. The figures are lined for color in accordance with MPEP § 608.02.

See application file for complete search history.

1 Claim, 6 Drawing Sheets



(56)

References Cited

U.S. PATENT DOCUMENTS

D590,253 S * 4/2009 Seol et al. D9/432
 D599,201 S * 9/2009 Seol et al. D9/432
 D600,548 S * 9/2009 Seol et al. D9/432
 D603,701 S * 11/2009 Seol et al. D9/432
 D608,636 S * 1/2010 Seol D9/432
 D611,832 S * 3/2010 Champion et al. D9/600
 D612,260 S * 3/2010 Champion D9/600
 D612,261 S * 3/2010 Champion et al. D9/600
 D621,702 S * 8/2010 Tekulve et al. D9/432
 D622,774 S * 8/2010 Seum et al. D20/22
 D626,010 S * 10/2010 Criss et al. D9/711
 D636,666 S * 4/2011 Bone et al. D9/432
 D636,667 S * 4/2011 Barclay et al. D9/432

D646,562 S * 10/2011 Liebowitz et al. D9/418
 D649,874 S * 12/2011 Barclay et al. D9/432
 D650,273 S * 12/2011 Tekulve et al. D9/432
 D650,676 S * 12/2011 Schwartz et al. D9/516
 D654,789 S * 2/2012 DuVal D9/432
 D655,155 S * 3/2012 Tekulve et al. D9/432
 D655,156 S * 3/2012 Schrimpf et al. D9/432
 D660,145 S * 5/2012 Tekulve et al. D9/432
 D678,764 S * 3/2013 Powers et al. D9/434
 D680,428 S * 4/2013 Vanden Boom et al. D9/434
 D680,864 S * 4/2013 Thompson et al. D9/434
 D680,865 S * 4/2013 Thompson et al. D9/434
 D683,216 S * 5/2013 Thompson et al. D9/434
 D689,769 S * 9/2013 Oates et al. D9/434
 D693,680 S * 11/2013 Klopp et al. D9/434

* cited by examiner

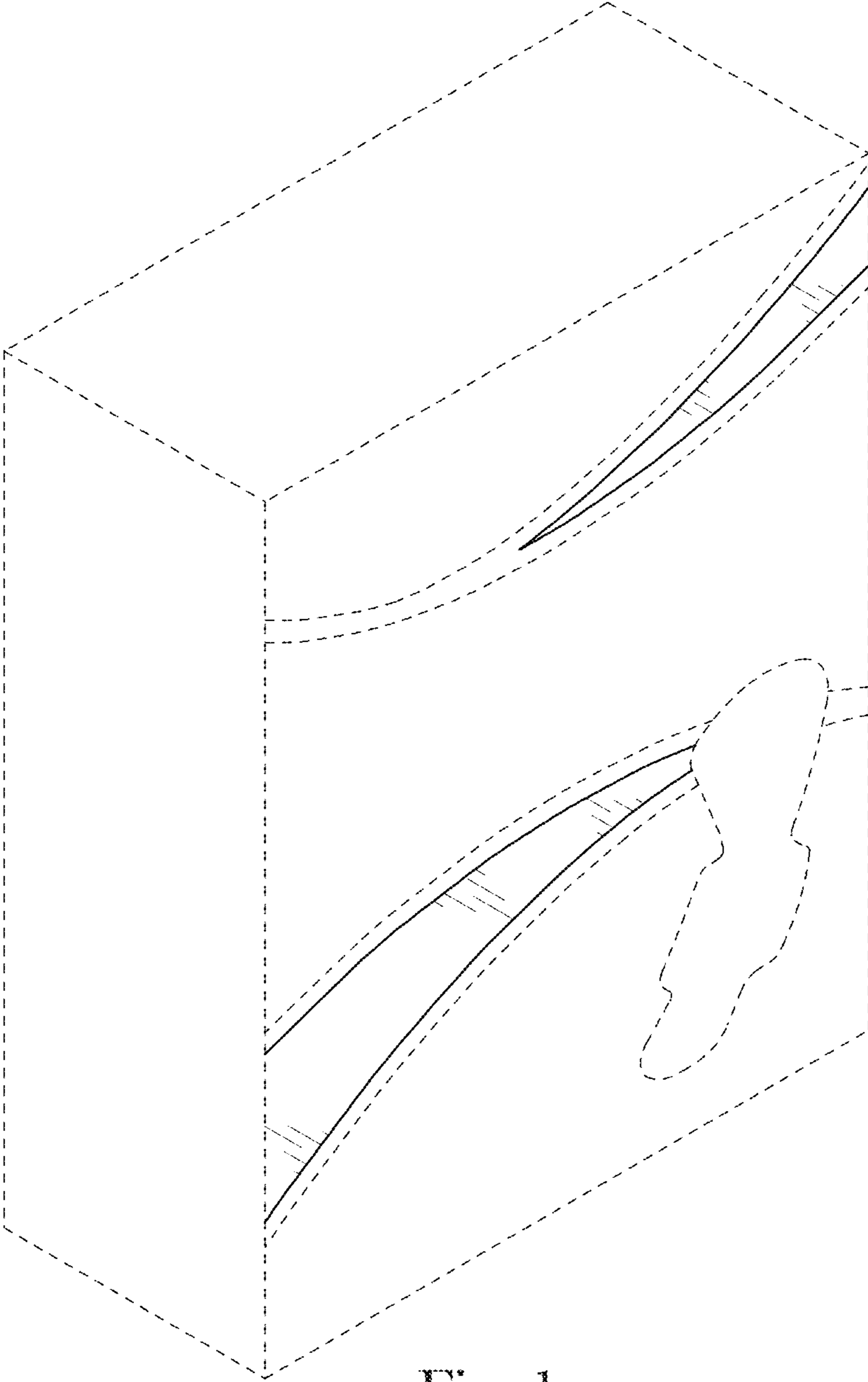


Fig. 1

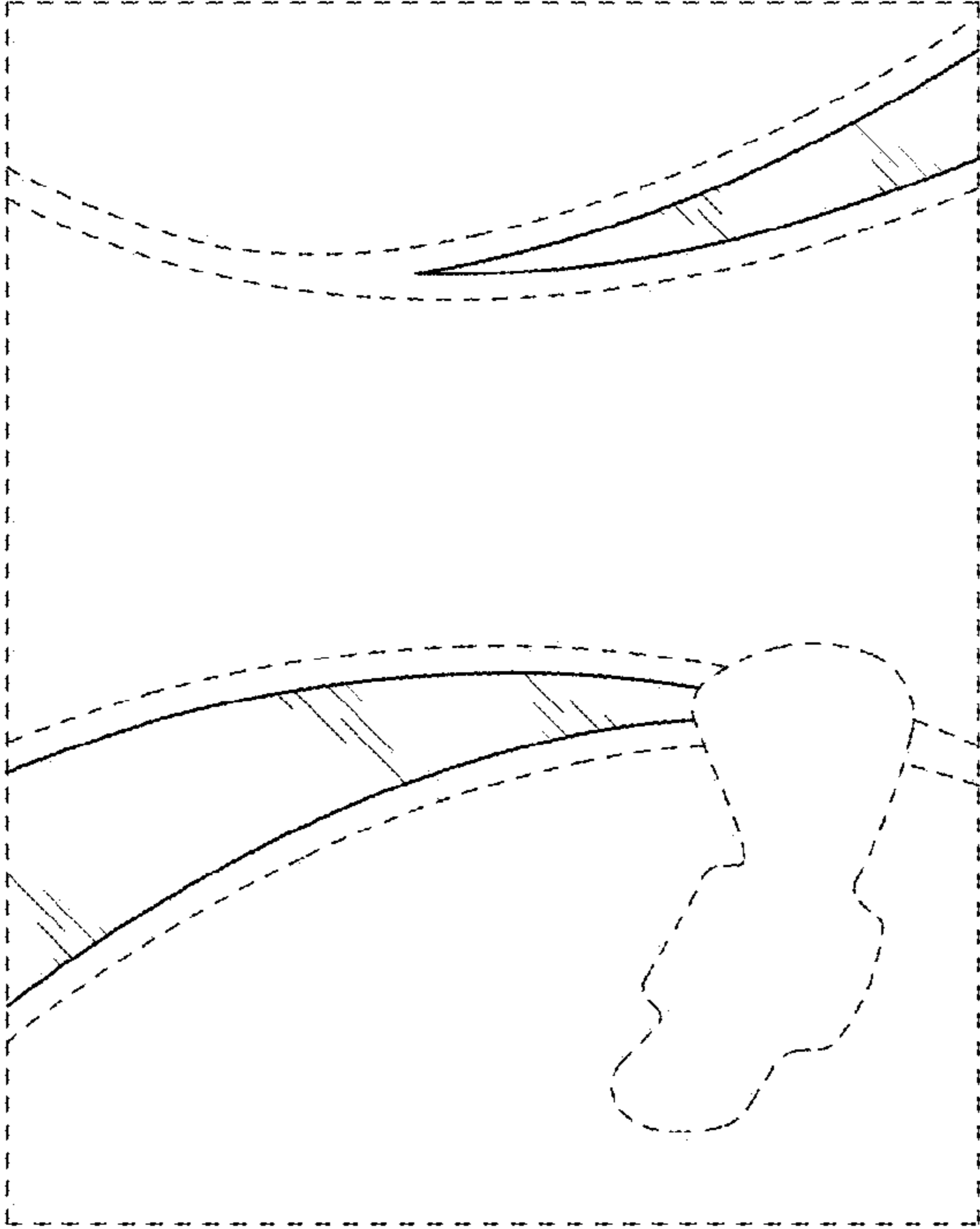


Fig. 2

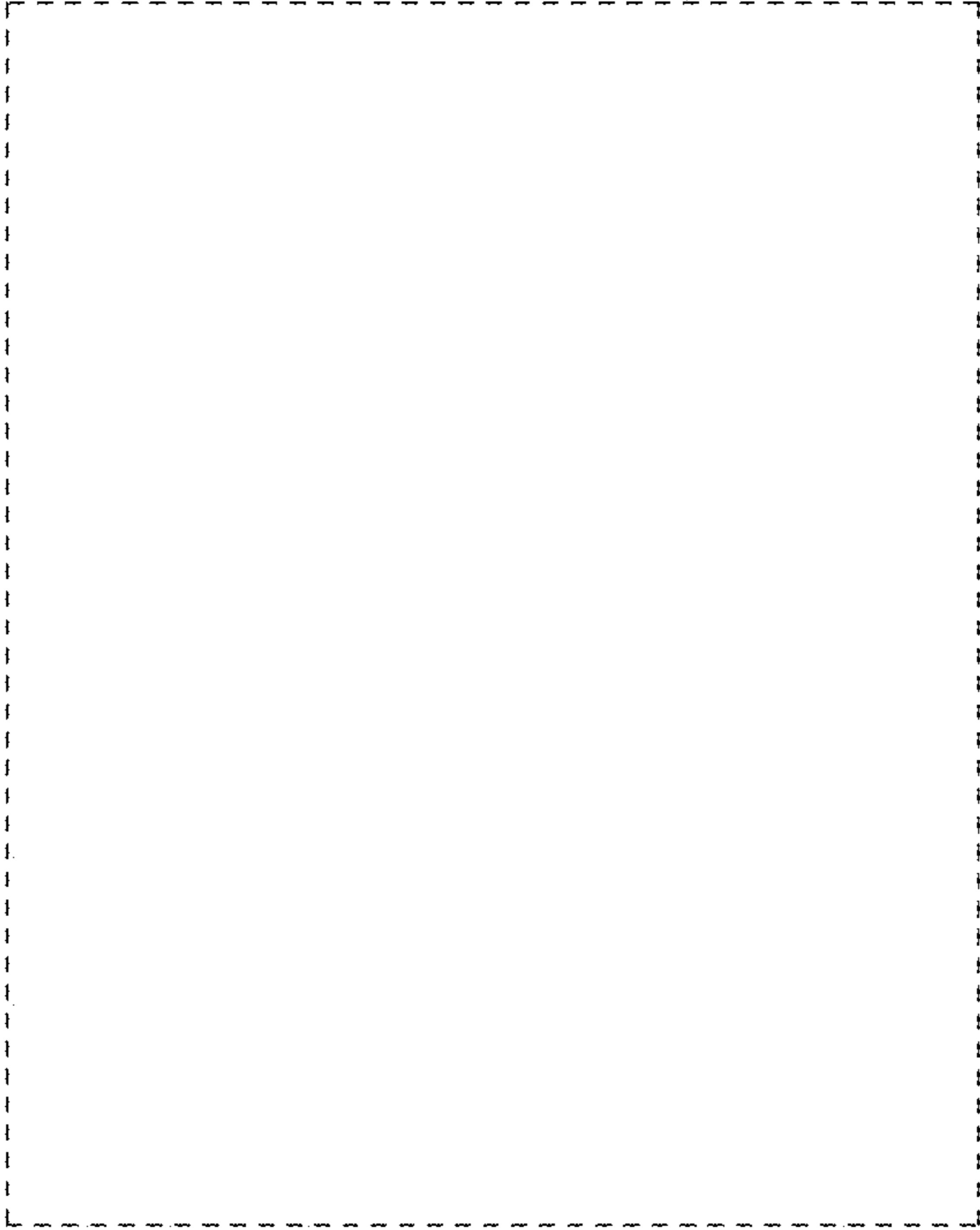


Fig. 3



Fig. 4

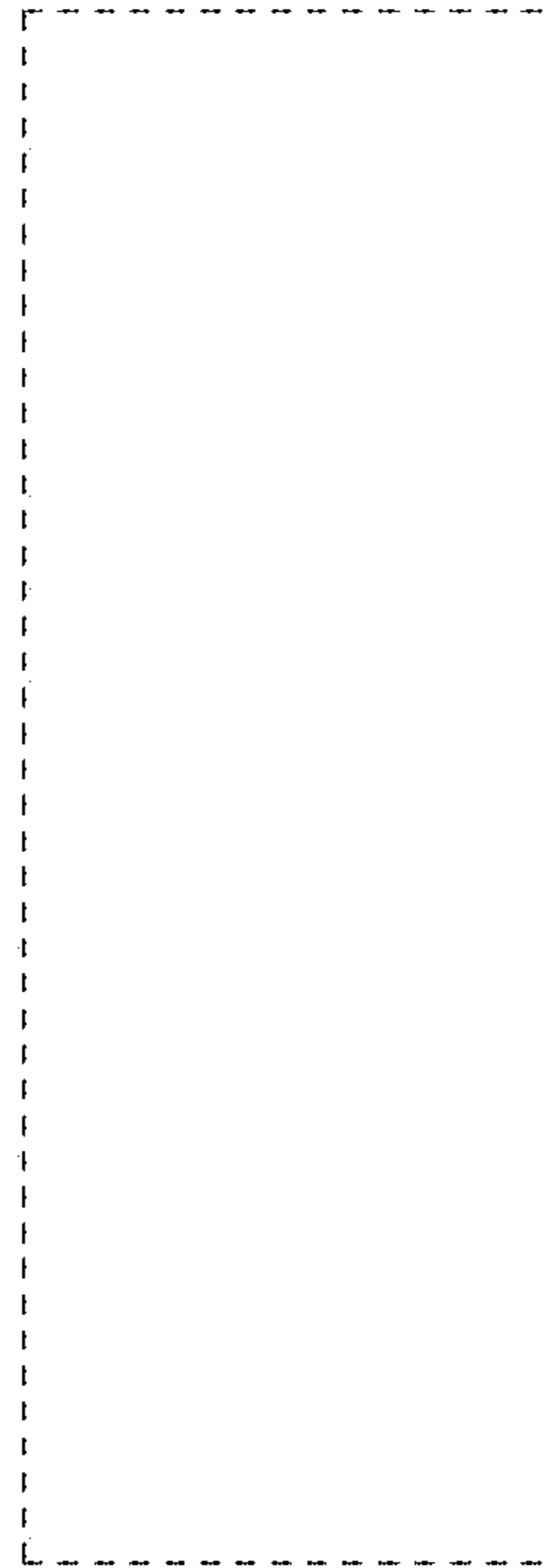


Fig. 5

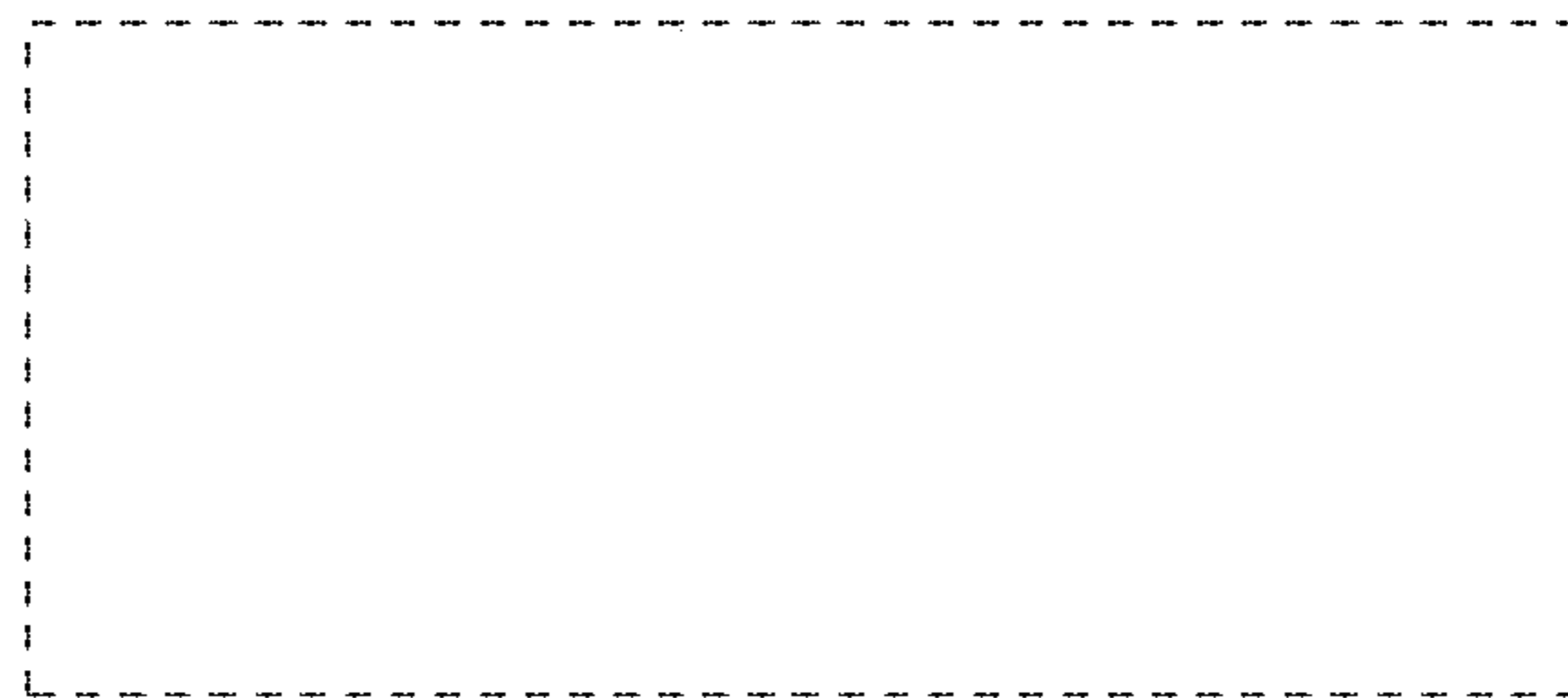


Fig. 6



Fig. 7

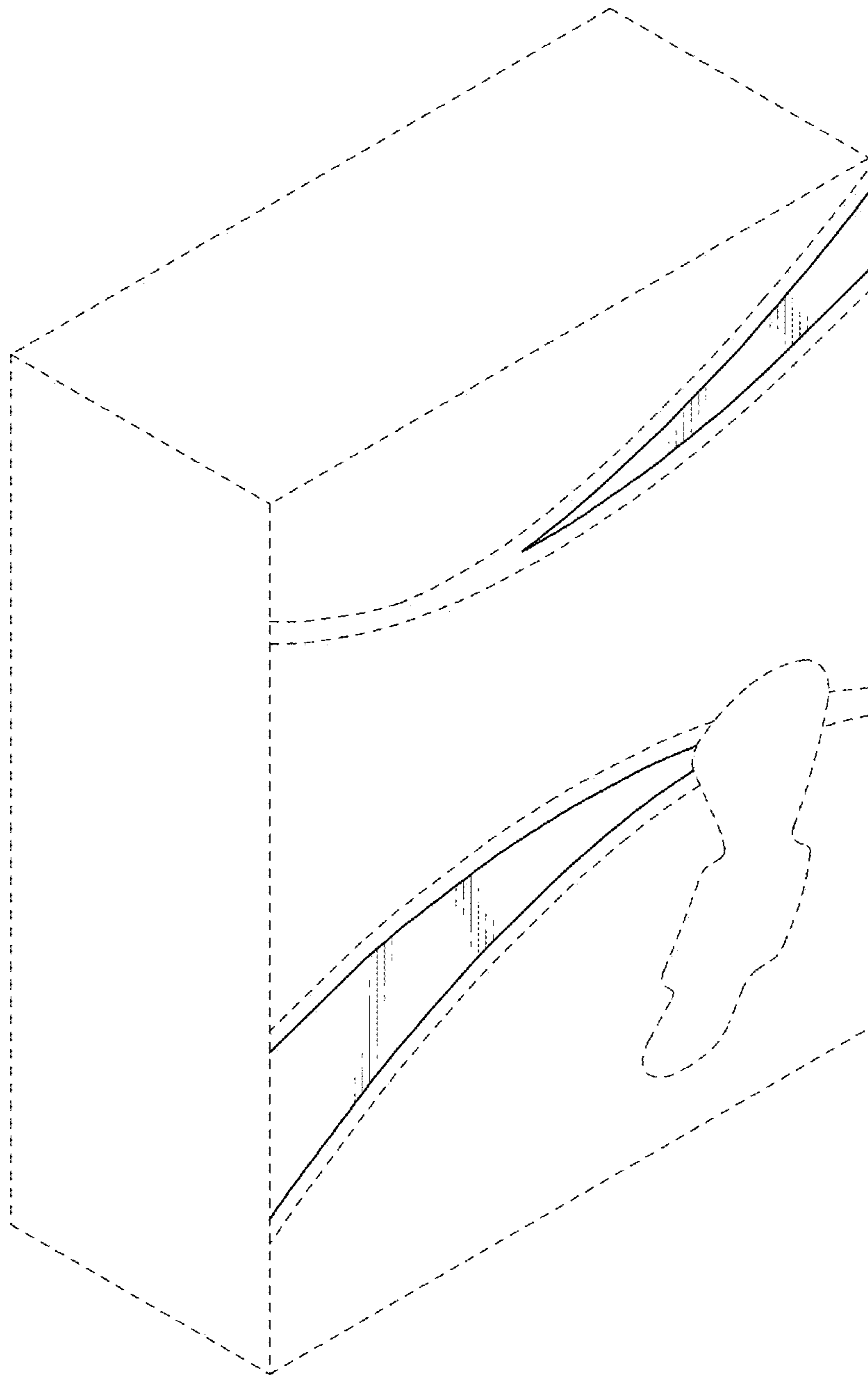


Fig. 8

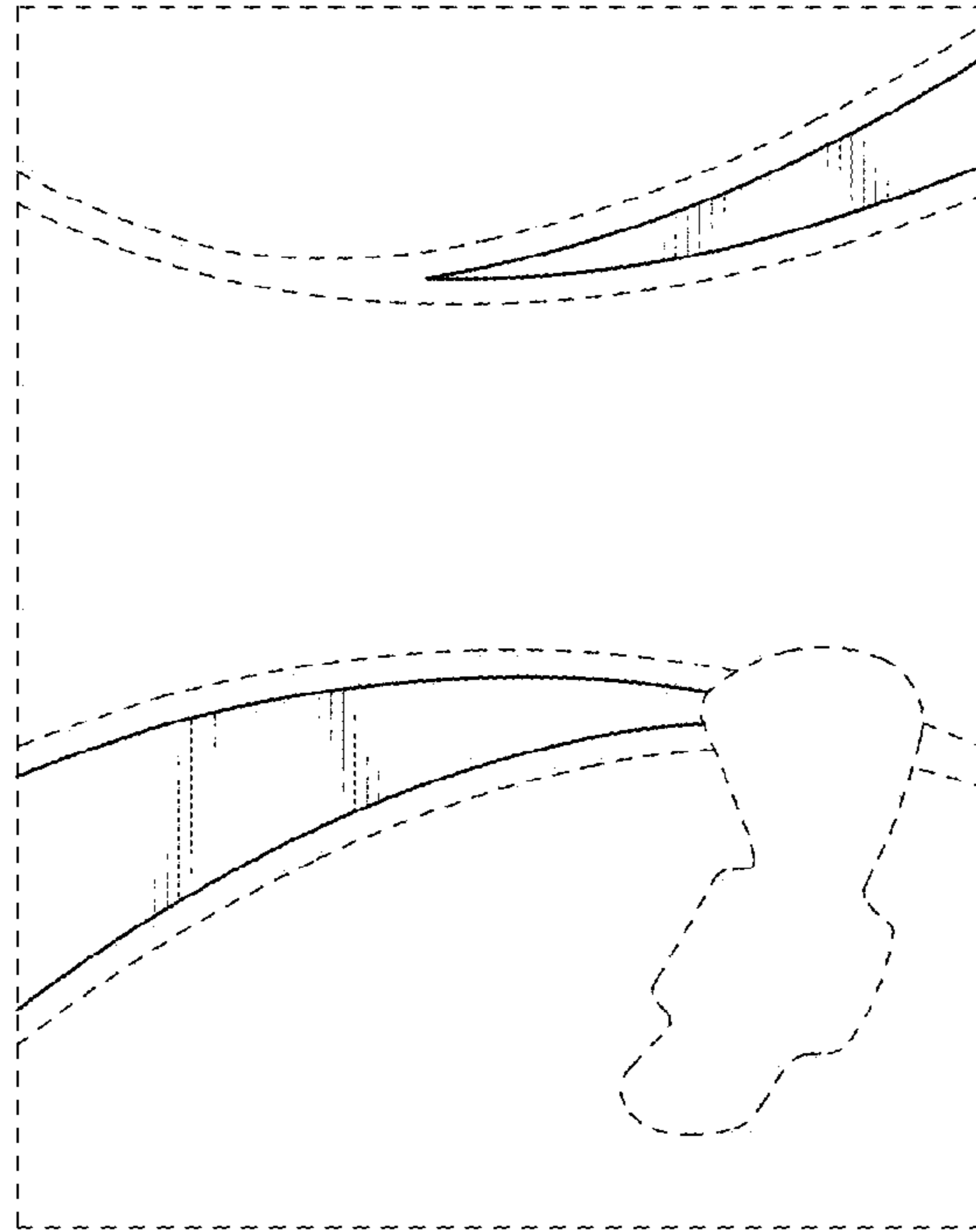


Fig. 9

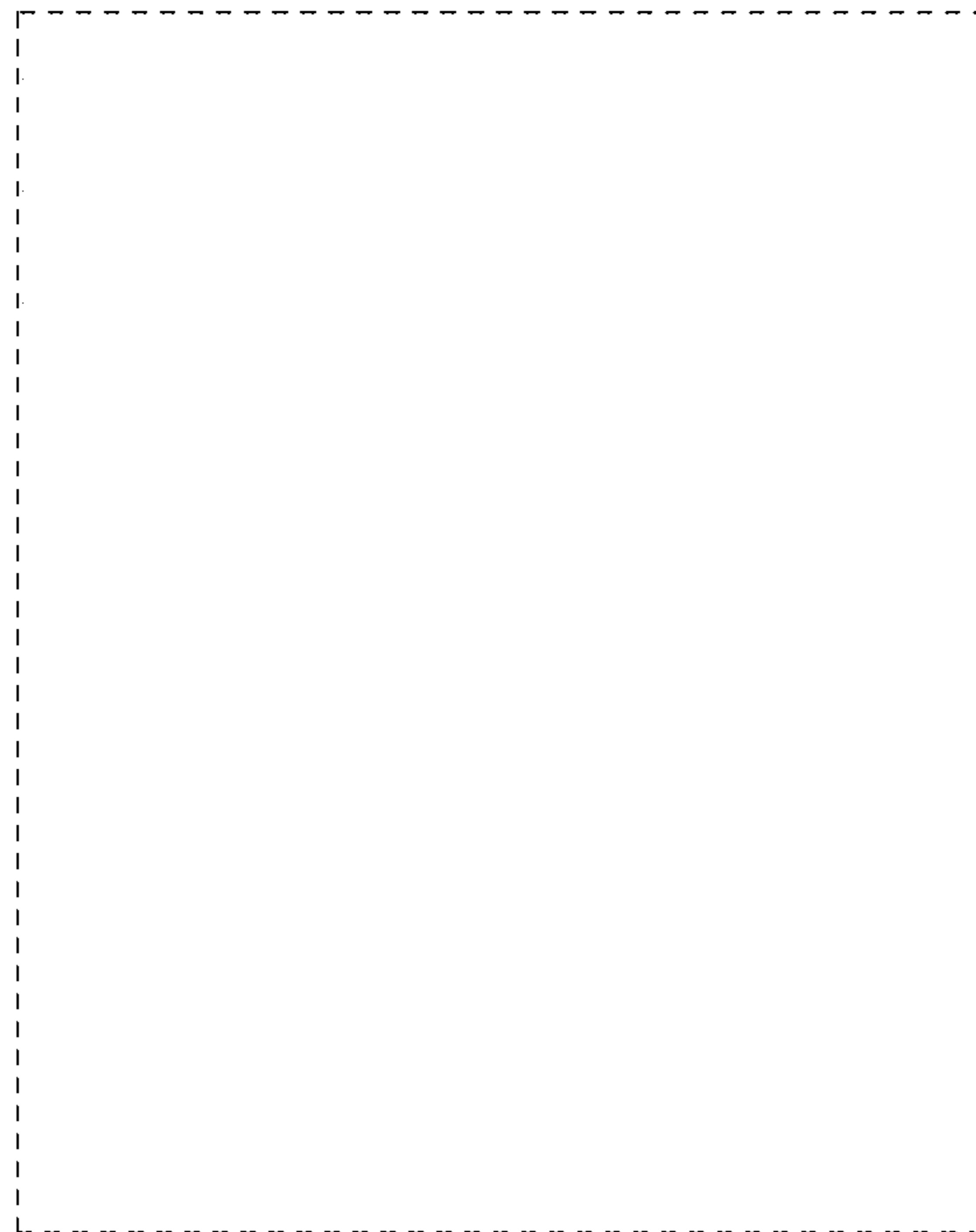


Fig. 10

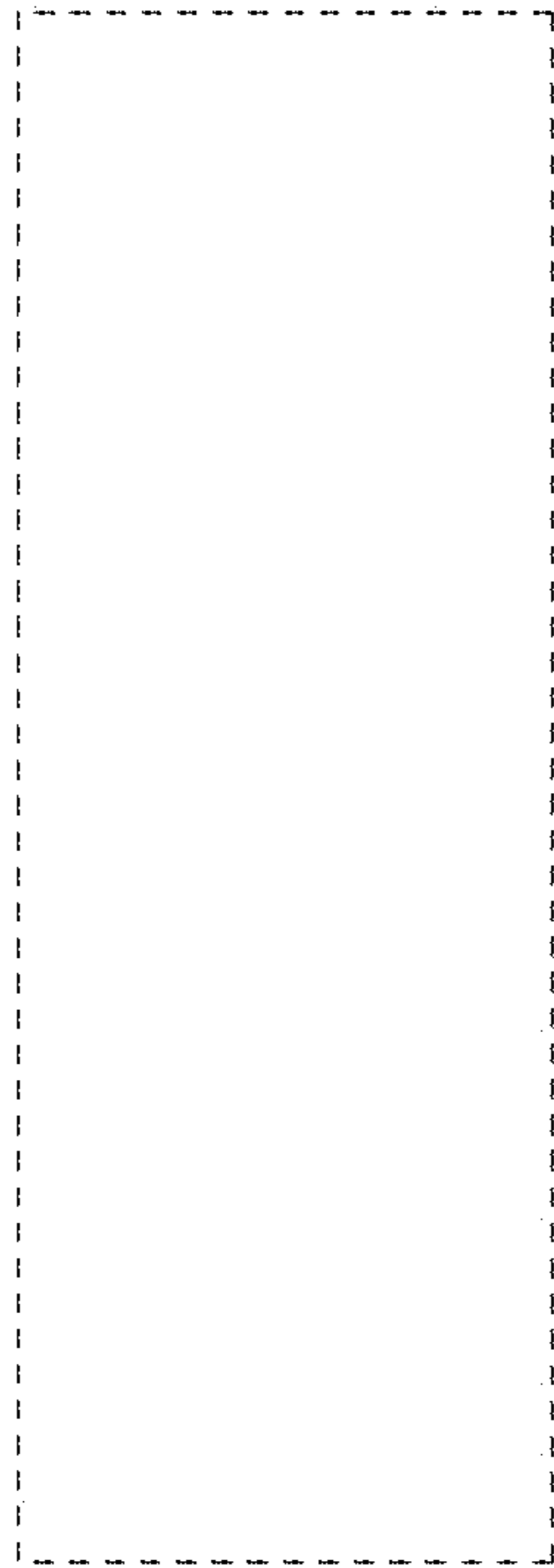


Fig. 11

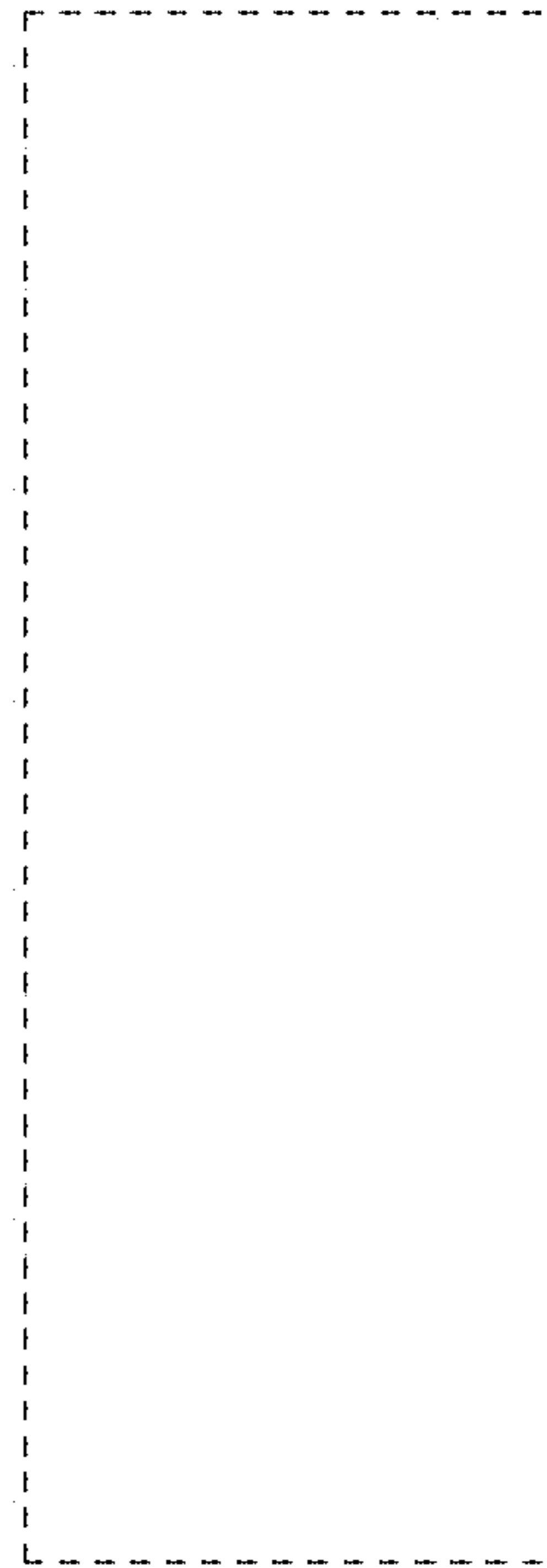


Fig. 12



Fig. 13



Fig. 14